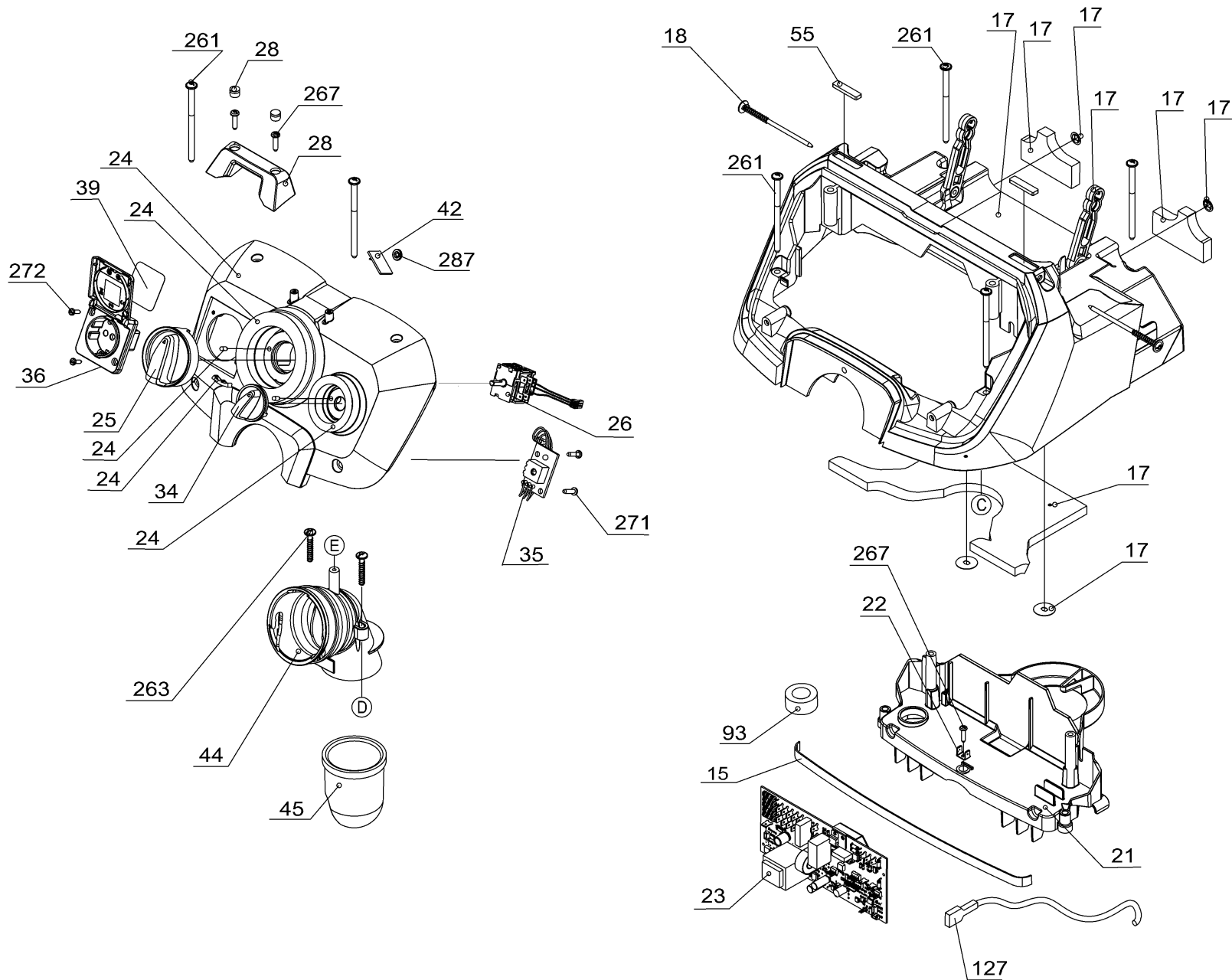


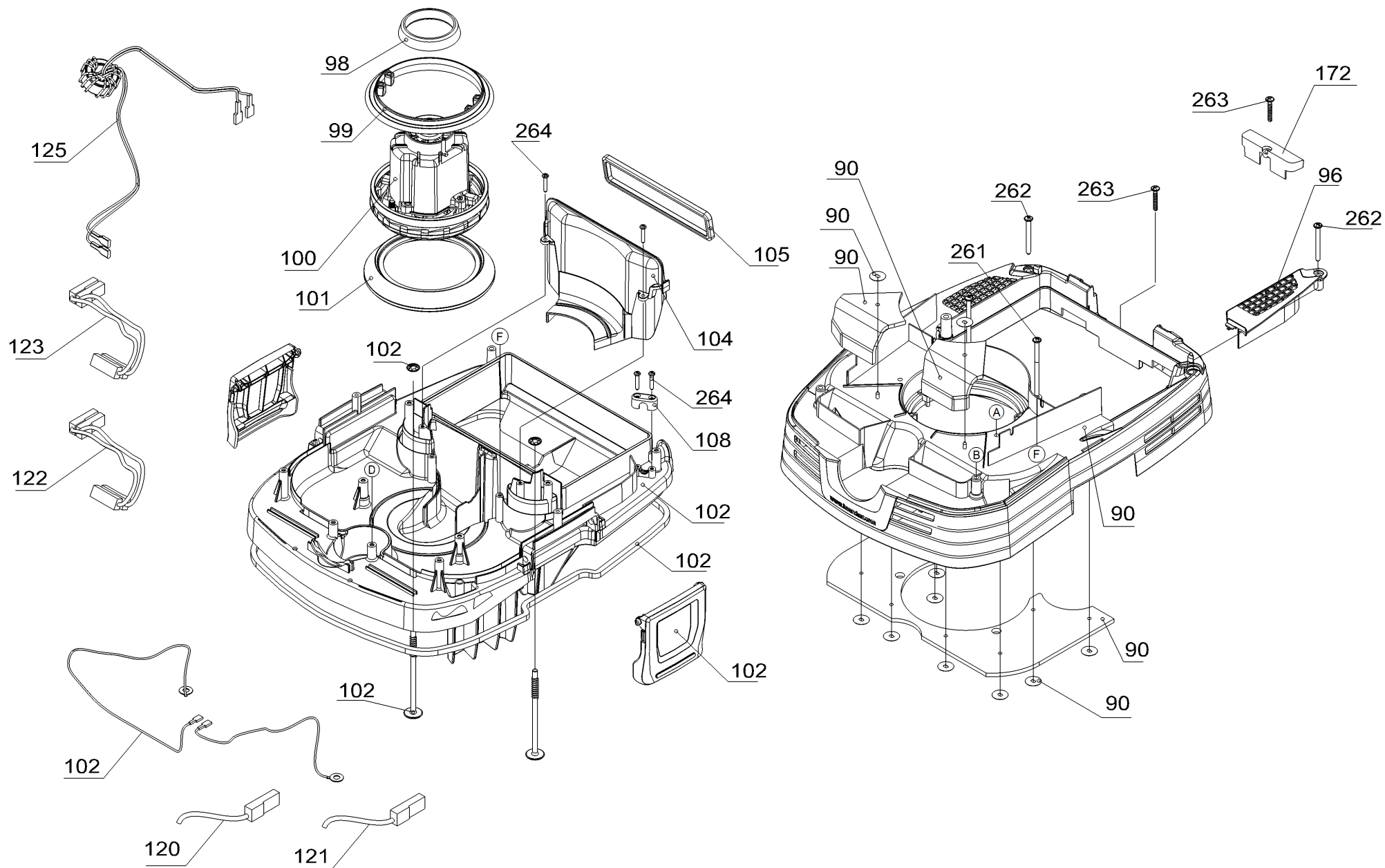
Spare parts list

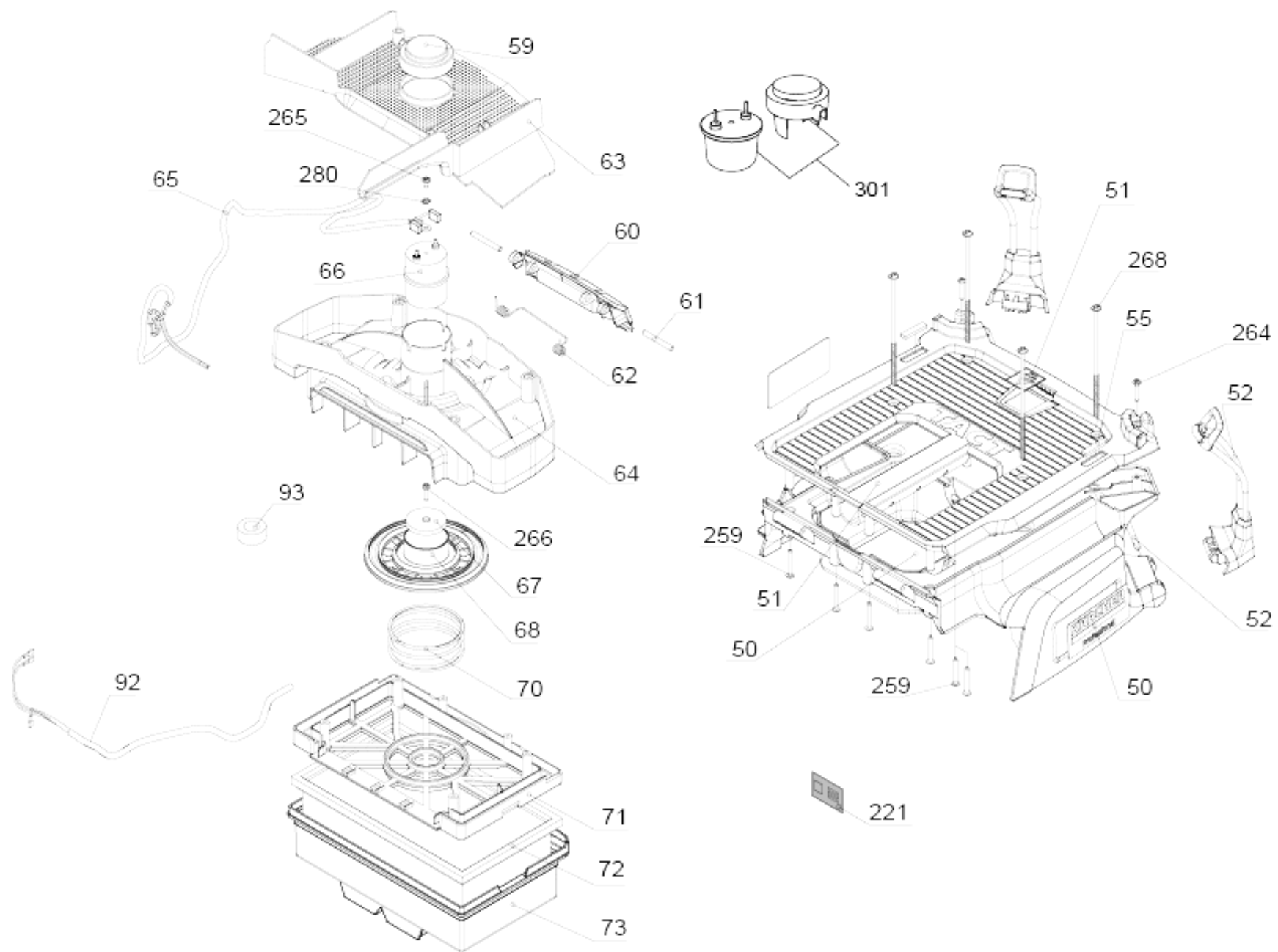
(1.148-411.0) NT 50/1 Tact Te L *EU

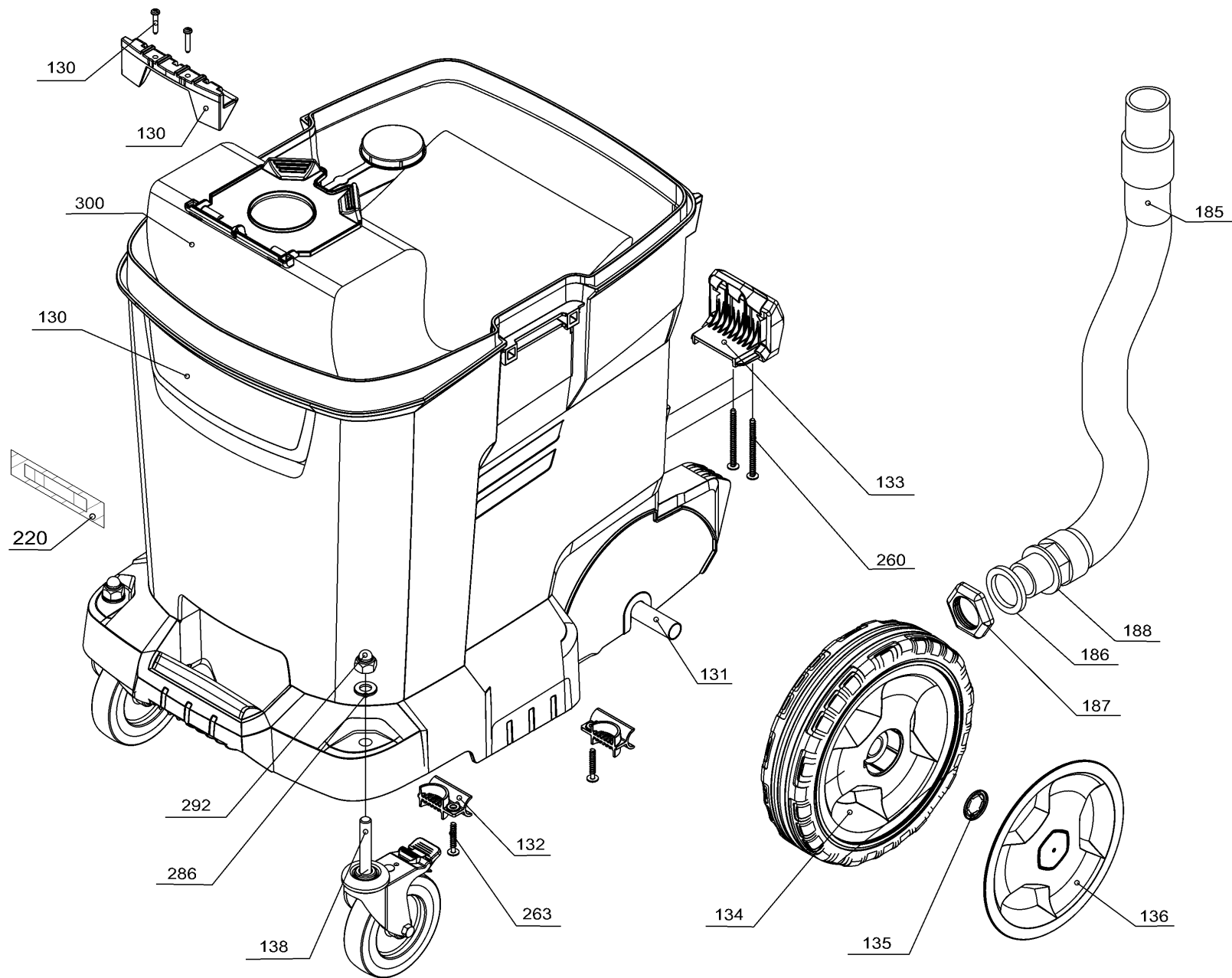
Table of contents

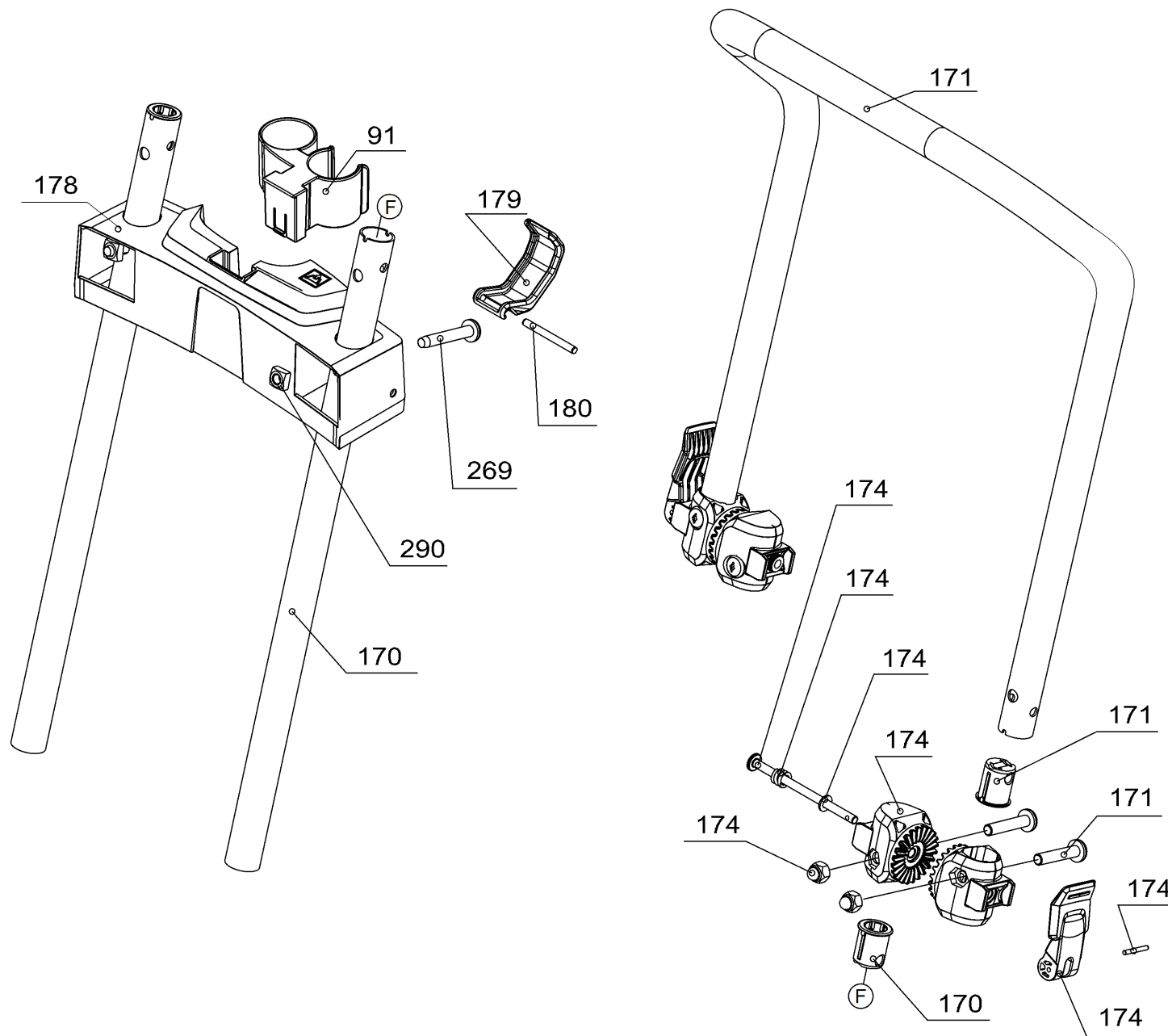
NT 50/1 Tact Te L *EU (1.148-411.0)	3
7 Accessories	12
20 Hose packaged NW35 4.0m (2.889-135.0)	14
10 Suction hose complete NW35 4,0m (4.440-040.0)	16
20 Repair set NW35 (2.889-149.0)	18
40 Floor tool packaged NW35 360mm (2.889-152.0)	20
1 Floor tool complete NW35	21
10 Assembly group holder rubber lips (4.862-020.0)	23
20 Assembly group holder brush strips (4.862-017.0)	25
40 Floor tool packaged NW40 360mm (2.889-153.0)	27
10 Assembly group holder rubber lips (4.862-020.0)	29
20 Assembly group holder brush strips (4.862-017.0)	31
17 Cover set (4.070-384.0)	33
90 Housing air circulation set (4.070-395.0)	35
102 Housing base plate set (4.070-385.0)	37
130 Tank set NT 50/1 (4.071-033.0)	39
174 Swivel joint set (4.071-041.0)	41

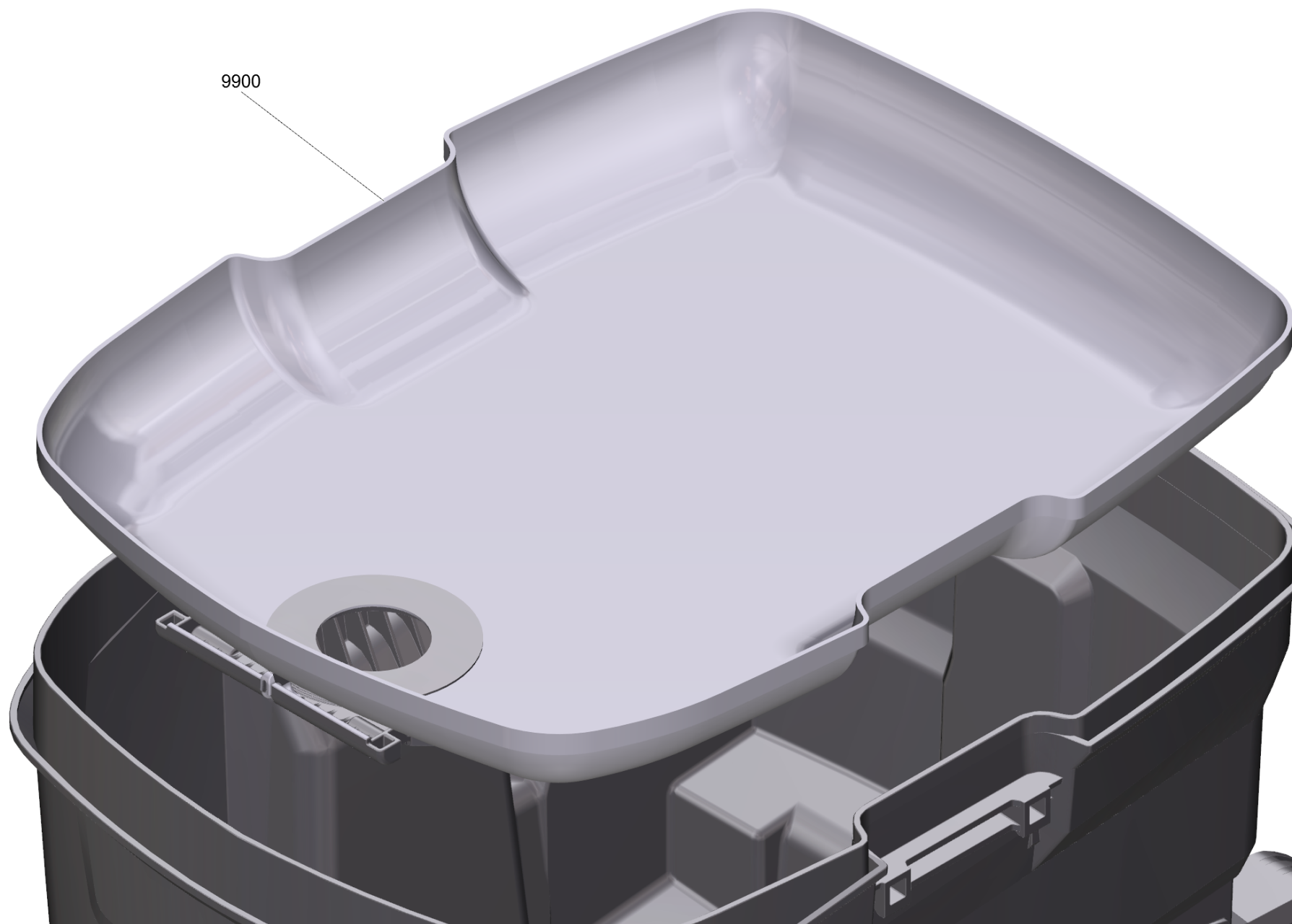












NT 50/1 Tact Te L *EU (1.148-411.0)

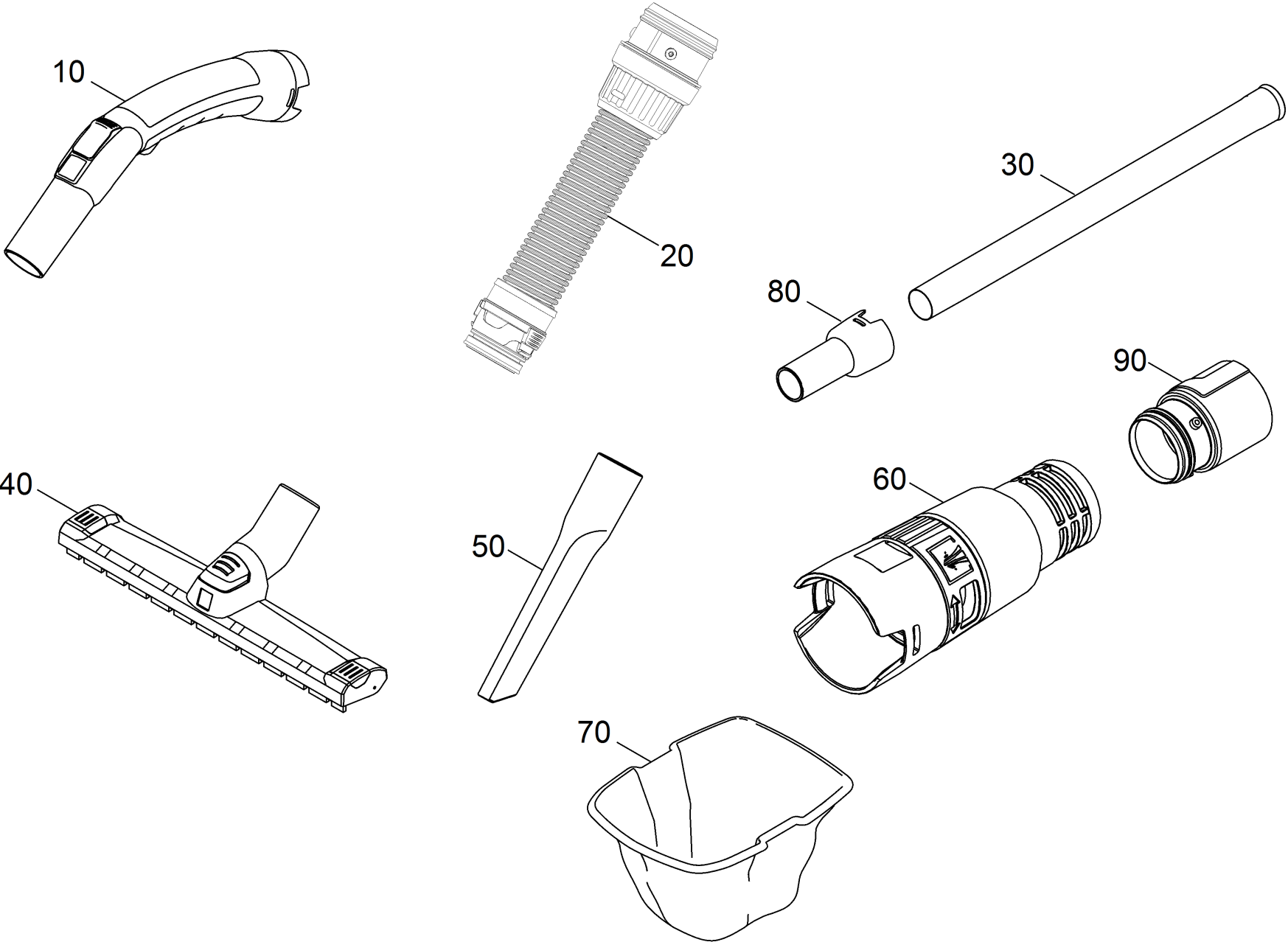
POS	Article no.	Description	Quantity	Unit	Remark
7		Accessories	1.000	ST	
15	6.273-356.0	Sealing strip	1.000	ST	
17	4.070-384.0	Cover set	1.000	ST	
18	5.107-004.0	Guide screw	2.000	ST	
21	5.605-030.0	Housing air circulation above Te	1.000	ST	
22	6.649-914.0	Tab	1.000	ST	
23	4.071-087.0	Electronics control system set Tact Te	1.000	ST	
24	4.070-344.0	Control panel set Tact Te	1.000	ST	
25	5.744-001.0	Handle	1.000	ST	
26	6.630-806.3	Rotary switch	1.000	ST	
28	4.070-345.0	Fixing case	1.000	ST	
34	5.744-002.0	Handle number of revolutions/hose select	1.000	ST	
35	4.682-125.0	Circuit board speed control only for rep	1.000	ST	
36	6.645-834.0	Plug socket *EU	1.000	ST	
39	5.396-157.3	Label plug socket 2200W	1.000	ST	
42	4.071-101.0	Magnet sensor set	1.000	ST	
44	5.034-097.0	Suction nipple electrically conducting T	1.000	ST	
45	5.033-994.0	Suction nipple bottom	1.000	ST	
50	4.070-488.0	Filter cover set NT Tact Te	1.000	ST	
51	4.070-471.0	Filter cover top part	1.000	ST	
52	4.071-086.0	Hose hook set	2.000	ST	
55	4.070-360.0	Antislip rubber set	1.000	ST	
59	5.064-101.0	Magnet covering cap	1.000	ST	
60	5.322-157.0	Filter cover closure	1.000	ST	
61	5.317-231.0	Bolt hook	2.000	ST	
62	5.333-221.0	Spring	1.000	ST	
63	5.031-100.3	Moulded part cover filter	1.000	ST	
64	5.044-233.0	Holder magnet	1.000	ST	
65	6.650-540.0	Cable magnet	1.000	ST	
66	6.653-012.0	Magnet 200V	1.000	ST	Version 1
67	5.005-277.0	Plate magnet	1.000	ST	
68	5.582-140.0	Valve disc	1.000	ST	
70	5.332-975.0	Spring soft	1.000	ST	

NT 50/1 Tact Te L *EU (1.148-411.0)

POS	Article no.	Description	Quantity	Unit	Remark
71	5.064-056.3	Holder flat filter	1.000	ST	
72	6.907-662.0	Flat-pleated filter packaged PES	1.000	ST	
73	5.064-055.0	Frame flat-pleated filter	1.000	ST	
90	4.070-395.0	Housing air circulation set	1.000	ST	
91	5.033-943.0	Holder accessories gelb RAL 1018	1.000	ST	
92	6.650-665.3	Power cable 7,5m	1.000	ST	
93	6.346-043.0	Ferrite ring	2.000	ST	
96	5.605-058.0	Cover housing air circulation	1.000	ST	
98	5.363-735.0	Seal vacuum motor above	1.000	ST	
99	5.363-795.0	Seal vacuum motor center	1.000	ST	
100	6.490-245.0	Blower motor 230V	1.000	ST	
101	5.363-256.0	Seal bottom	1.000	ST	
102	4.070-385.0	Housing base plate set	1.000	ST	
103	6.273-018.3	Seal string housing base plate	1.000	ST	
104	5.064-057.0	Air circulation	1.000	ST	
105	5.363-187.0	Seal supply air	1.000	ST	
108	5.031-474.0	Strain relief Tact	1.000	ST	
120	6.650-668.0	Cable brown 1,5mm ² x200mm	1.000	ST	
121	6.650-669.0	Cable blue 1,5mm ² x200mm	1.000	ST	
122	6.650-670.0	Cable blue 1mm ² x270mm	2.000	ST	
123	6.650-671.0	Cable brown 1mm ² x270mm	2.000	ST	
125	6.650-667.0	Cable turbine	2.000	ST	
127	6.650-672.0	Cable green/yellow 1,5mm ² x180mm	1.000	ST	
130	4.071-033.0	Tank set NT 50/1	1.000	ST	
131	5.105-025.0	Axle	1.000	ST	
132	5.044-456.0	Holder axle	2.000	ST	
133	5.044-317.0	Holder floor nozzle	1.000	ST	
134	5.515-088.0	Wheel D220	2.000	ST	
135	6.343-168.0	Lock washer	2.000	ST	
136	5.515-093.0	Wheel cap large RAL 7012	2.000	ST	
138	6.435-896.0	Castor with brake Ø100	2.000	ST	
170	4.071-034.0	Shearing shackle bottom set	2.000	ST	
171	4.071-040.0	Shearing shackle above set	1.000	ST	

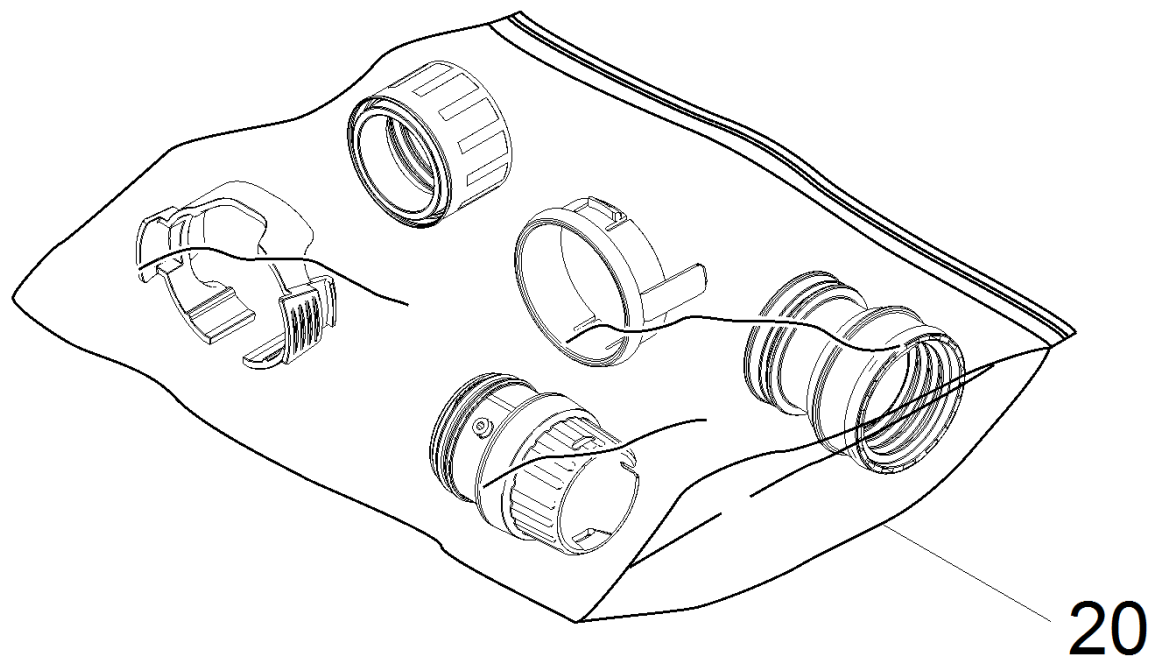
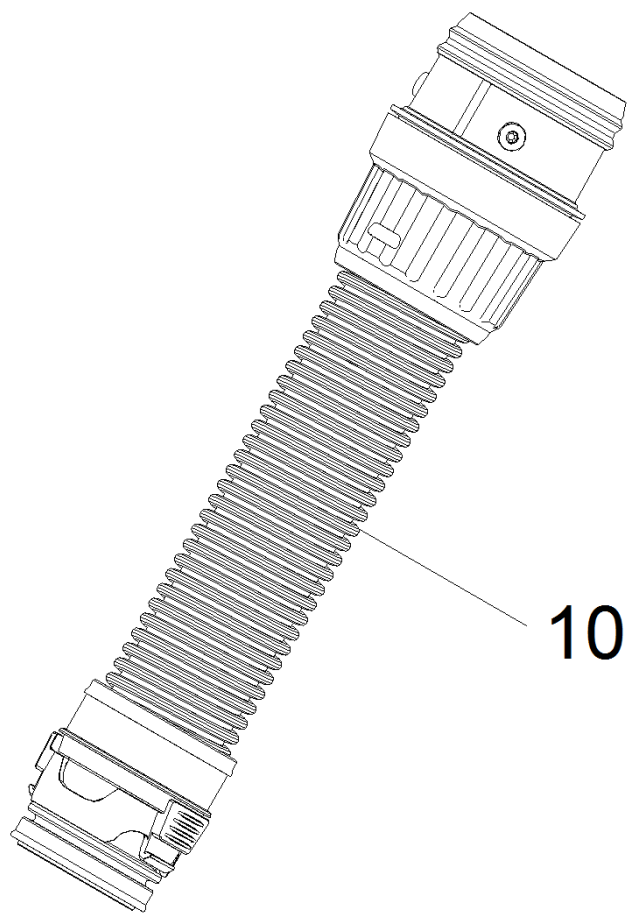
NT 50/1 Tact Te L *EU (1.148-411.0)

POS	Article no.	Description	Quantity	Unit	Remark
172	5.034-096.0	Screen holder accessories	1.000	ST	
174	4.071-041.0	Swivel joint set	1.000	ST	
178	5.031-190.0	Holder shearing shackle	1.000	ST	
179	5.037-200.0	Hook yellow	1.000	ST	
180	7.314-040.0	Straight pin 5m6x50 -A1 ISO 2338	1.000	ST	
185	6.391-002.0	Drain hose DN 32 NT 611 ECO	1.000	ST	
186	6.363-250.0	Joint ring 32x44	1.000	ST	
187	5.031-940.0	Hexagon nut	1.000	ST	
188	9.411-023.0	Ring	1.000	ST	
220	5.392-837.0	Label L-label	1.000	ST	
221	5.396-339.0	Label flat-pleated filter	1.000	ST	
259	7.303-285.0	Screw 4x30 -10.9-R2R (K-In6Rd)	6.000	ST	
260	7.303-234.0	Screw 5x60 -10.9-A2K (K-In6Rd)	2.000	ST	
261	7.303-171.0	Screw 5x80 -10.9-R2R (K-In6Rd)	10.000	ST	
262	7.303-111.0	Screw 5x50 -10.9-R2R (K-In6Rd)	2.000	ST	
263	7.303-086.0	Screw 5x30 -10.9-R2R (K-In6Rd)	7.000	ST	
264	7.303-096.0	Screw 4x22 -ST-10.9-R2R (IN6RD)	8.000	ST	
265	7.303-030.0	Screw M4x8 -St-P2R (In6Rd)	1.000	ST	
266	6.303-568.0	Oval head screw with hexalobular socket	1.000	ST	
267	7.303-129.0	Screw 4x16 -10.9-R2R (K-In6Rd)	3.000	ST	
268	7.303-323.0	Screw 5x130 -10.9-R2R (In6Rd)	4.000	ST	
269	7.303-147.0	Screw M 8x50-ST-A3E (IN6RD)	2.000	ST	
271	6.303-318.0	Screw 3,5x12-10.9-R2R (IN6RD)	2.000	ST	
272	7.303-206.0	Screw 3,5x16 -10.9-P2R (In6Rd)	2.000	ST	
280	7.312-039.0	Serrated lock washer A4,3-1.4310 DIN 67	1.000	ST	
286	7.312-066.0	Washer 10 -A2 ISO 7089	2.000	ST	
287	6.343-139.0	Lock washer	1.000	ST	
290	7.311-570.0	Square nut M8 -05-A2E DIN 557	2.000	ST	
291	7.311-620.0	Cap nut M8 -A2 DIN 986	4.000	ST	
292	7.311-406.0	Cap nut M10-CU3-E2E DIN 1587	2.000	ST	
300	2.889-155.0	Filter bags-fleece 5 piece 40-50 Liter	1.000	ST	
301	4.071-351.0	Magnet small completely	1.000	ST	Version 2
9900	2.889-281.0	Membrane filter packaged Kärcher	1.000	ST	



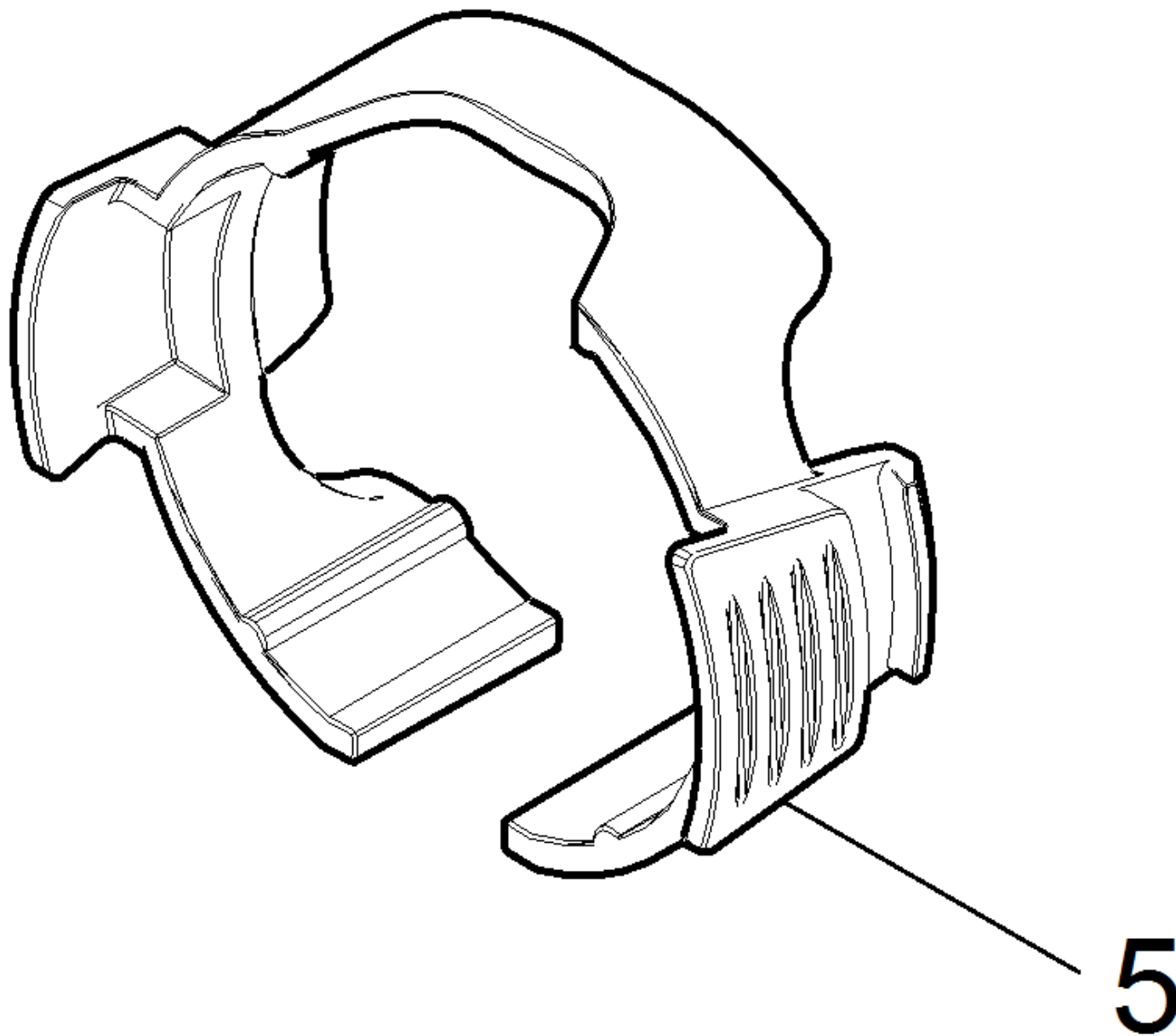
7 Accessories

POS	Article no.	Description	Quantity	Unit
10	2.889-168.0	Elbow packaged electrically NW35 2K	1.000	ST
10	2.889-171.0	Elbow packaged NW40 1K	1.000	ST
10	2.889-172.0	Elbow electrically conducting NW40 1K	1.000	ST
10	2.889-170.0	Elbow packaged NW35 2K	1.000	ST
20	2.889-135.0	Hose packaged NW35 4.0m	1.000	ST
30	2.889-193.0	Set suction tube chromed NW40 550mm	1.000	ST
30	2.889-192.0	Set suction tube stainless steel NW35 55	1.000	ST
30	2.889-194.0	Set suction tube stainless steel NW40 55	1.000	ST
30	2.889-182.0	Set suction tube stainless steel NW40 50	1.000	ST
30	2.889-177.0	Set suction tube chromed NW40 505mm	1.000	ST
40	2.889-153.0	Floor tool packaged NW40 360mm	1.000	ST
40	2.889-152.0	Floor tool packaged NW35 360mm	1.000	ST
50	2.889-160.0	Crevice nozzle wet and dry packaged NW40	1.000	ST
50	2.889-159.0	Crevice nozzle wet and dry packaged NW35	1.000	ST
60	2.889-151.0	Sleeve packaged NW35	1.000	ST
70	2.889-158.0	Disposal bag 10-parts PE	1.000	ST
80	5.406-005.0	Threaded ring electrically conducting NW	1.000	ST
80	5.406-006.0	Threaded ring electrically conducting NW	1.000	ST
90	5.031-436.0	Adapter old electrically conducting	1.000	ST



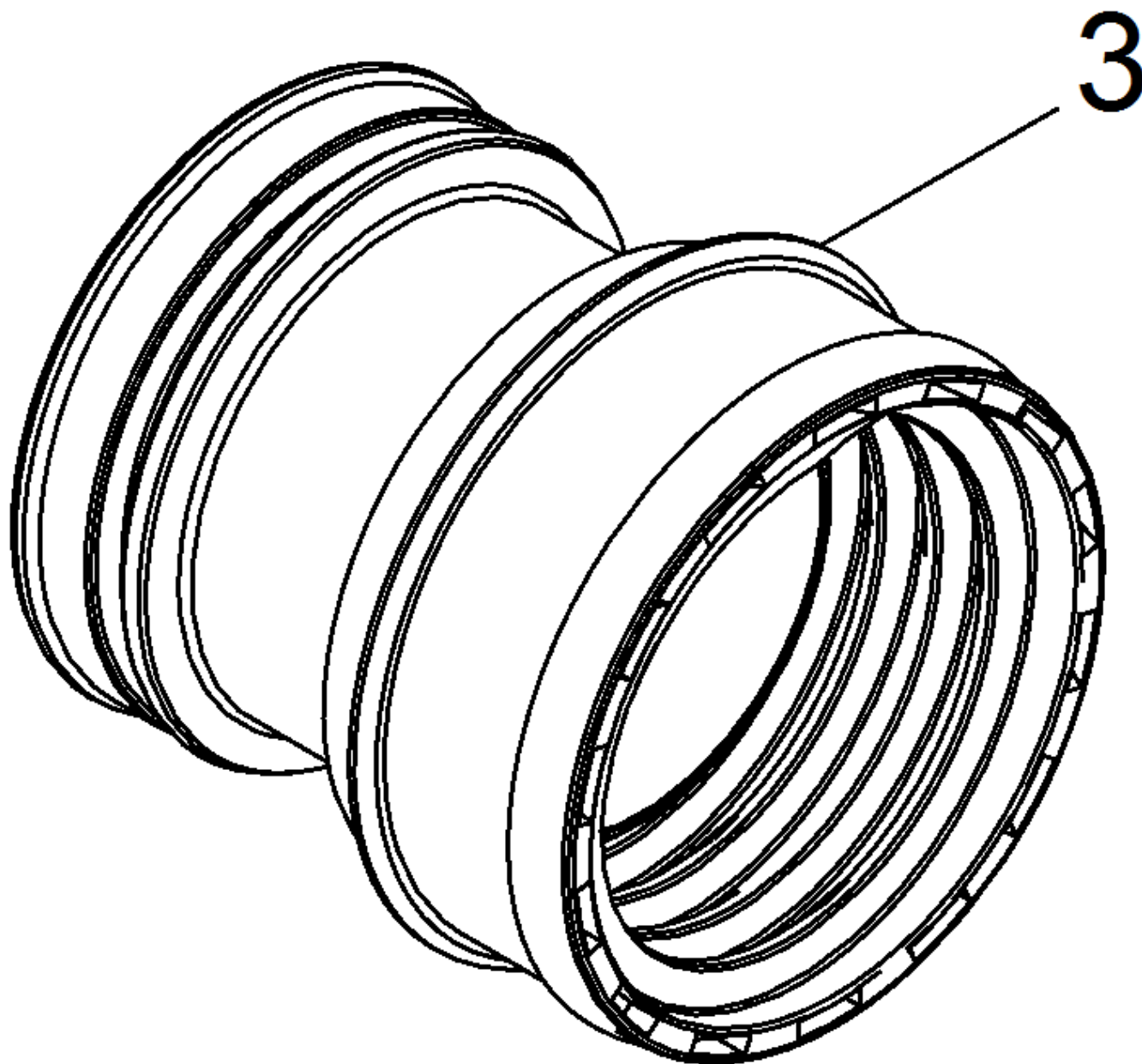
20 Hose packaged NW35 4.0m (2.889-135.0)

POS	Article no.	Description	Quantity	Unit
10	4.440-040.0	Suction hose complete NW35 4,0m	1.000	ST
20	2.889-149.0	Repair set NW35	1.000	ST



10 Suction hose complete NW35 4,0m (4.440-040.0)

POS	Article no.	Description	Quantity	Unit
5	5.031-140.0	Tension ring NW35	1.000	ST

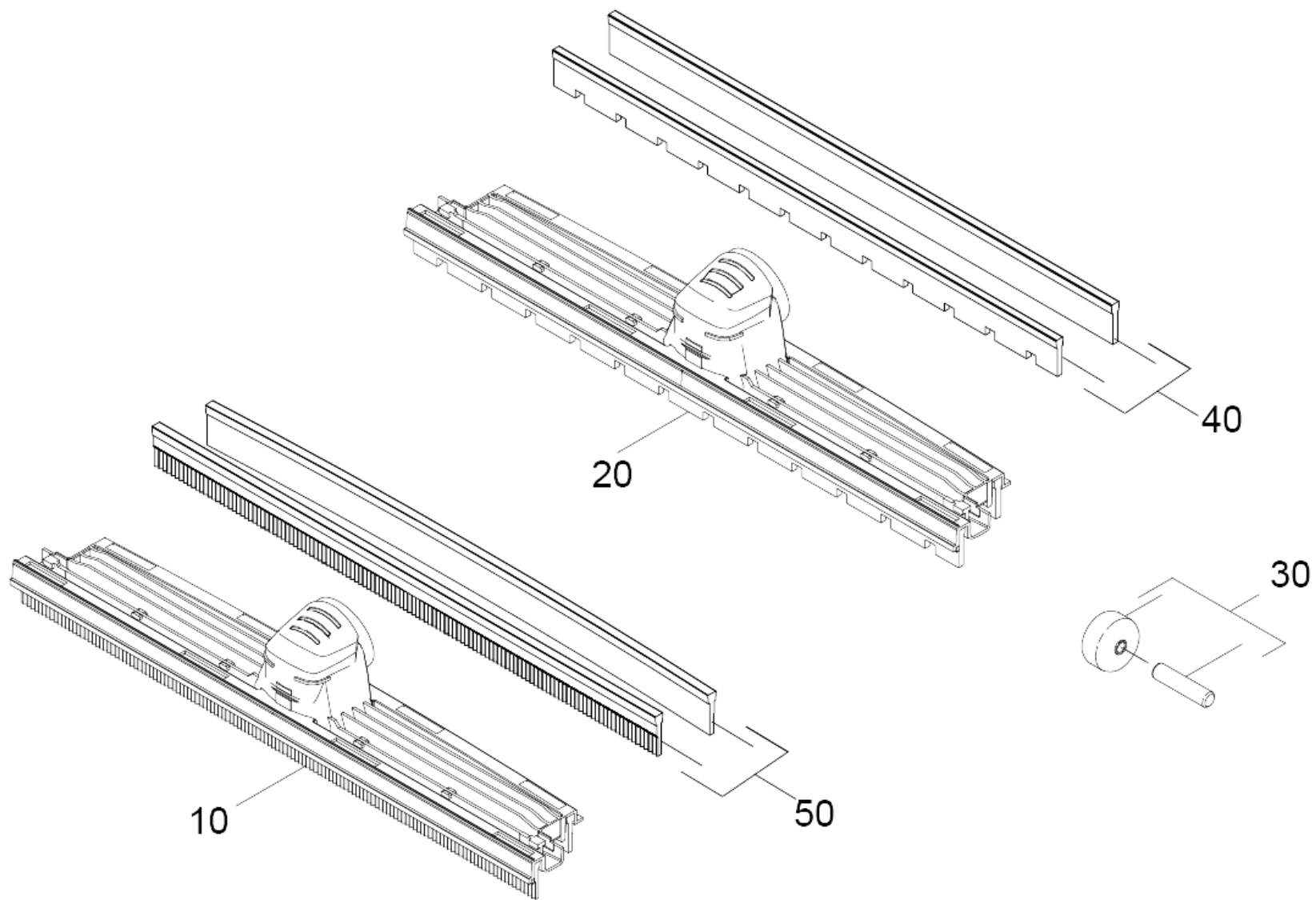


20 Repair set NW35 (2.889-149.0)

POS	Article no.	Description	Quantity	Unit
3	5.406-005.0	Threaded ring electrically conducting NW	1.000	ST

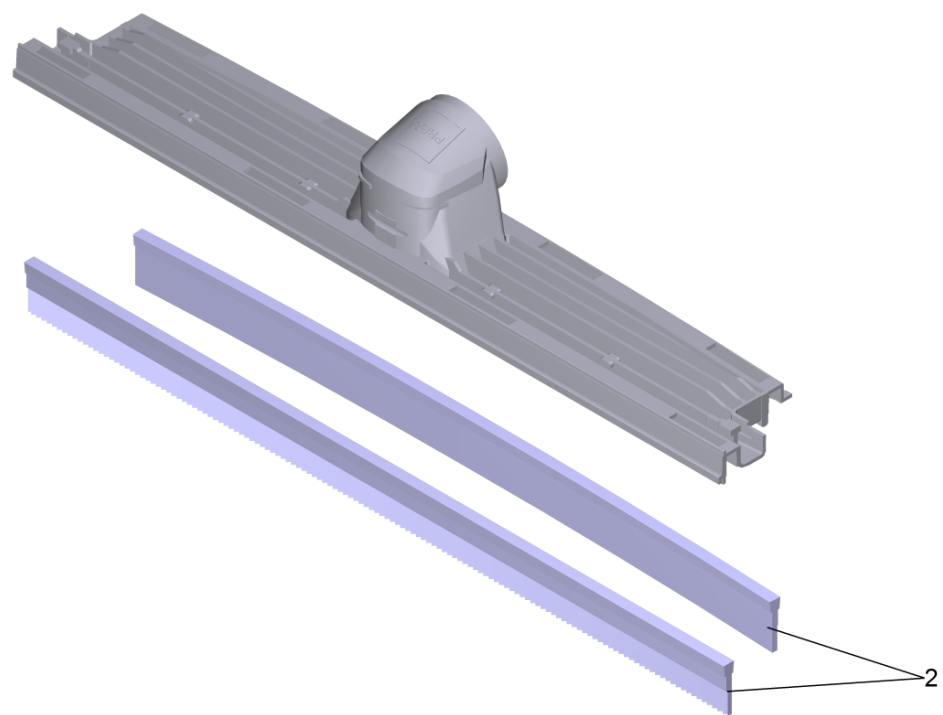
40 Floor tool packaged NW35 360mm (2.889-152.0)

POS	Description	Quantity	Unit
1	Floor tool complete NW35	1.000	ST



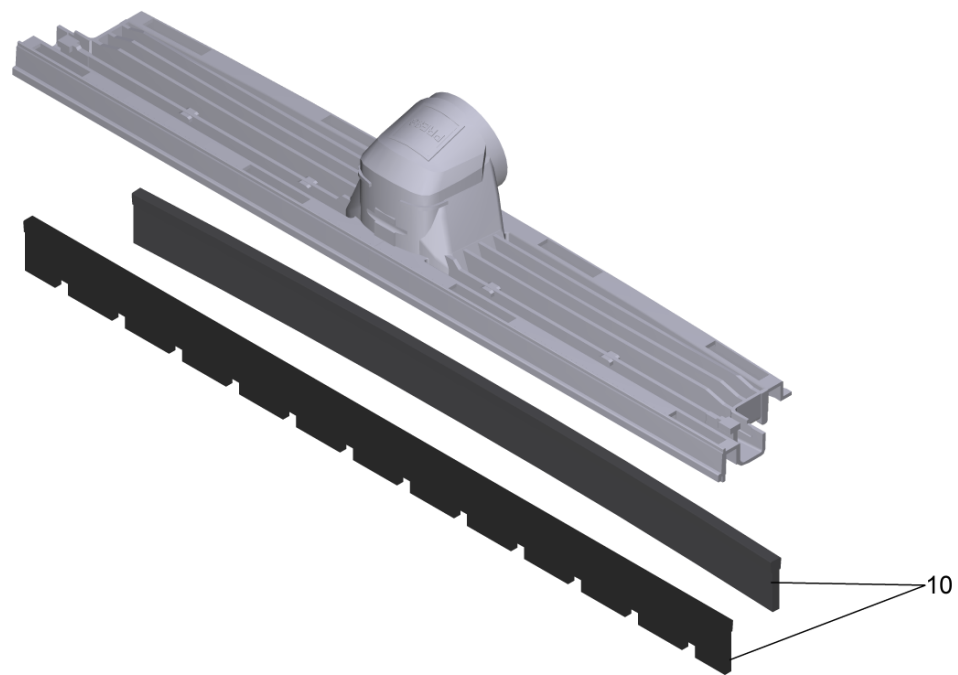
1 Floor tool complete NW35

POS	Article no.	Description	Quantity	Unit
10	4.862-020.0	Assembly group holder rubber lips	1.000	ST
20	4.862-017.0	Assembly group holder brush strips	1.000	ST
30	4.515-342.0	Roller complete with axle	2.000	ST
40	4.071-606.0	Spare parts set brush strip packaged	1.000	ST
50	4.071-607.0	Spare parts set rubber lips packaged	1.000	ST



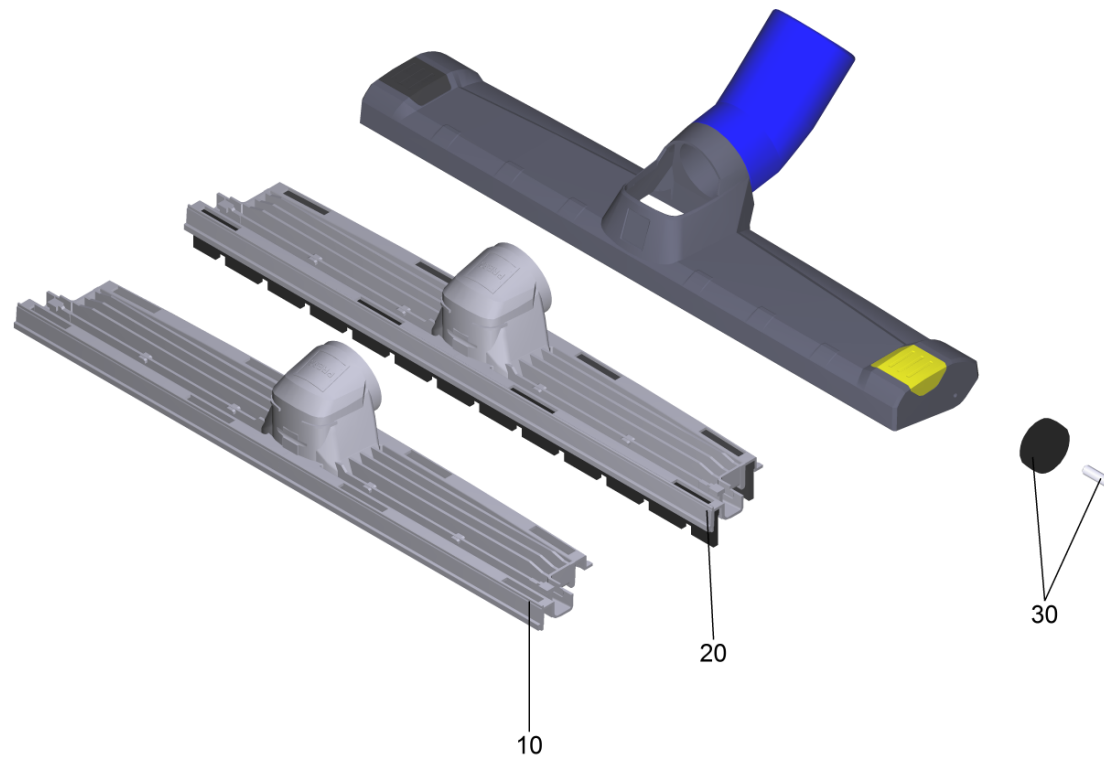
10 Assembly group holder rubber lips (4.862-020.0)

POS	Article no.	Description	Quantity	Unit
2	4.071-607.0	Spare parts set rubber lips packaged	1.000	ST



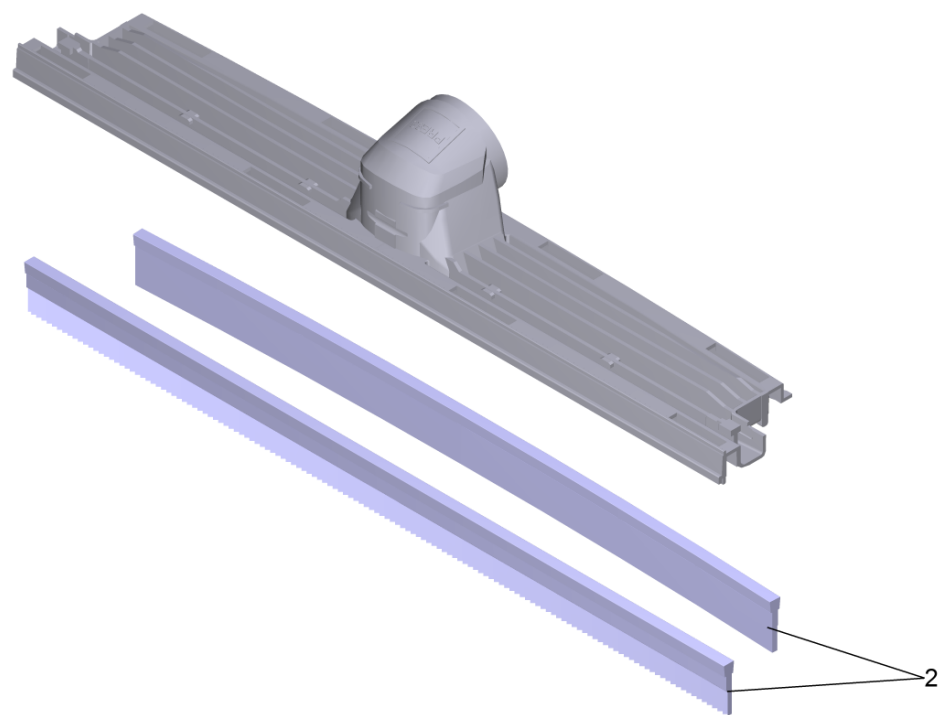
20 Assembly group holder brush strips (4.862-017.0)

POS	Article no.	Description	Quantity	Unit
10	4.071-606.0	Spare parts set brush strip packaged	1.000	ST



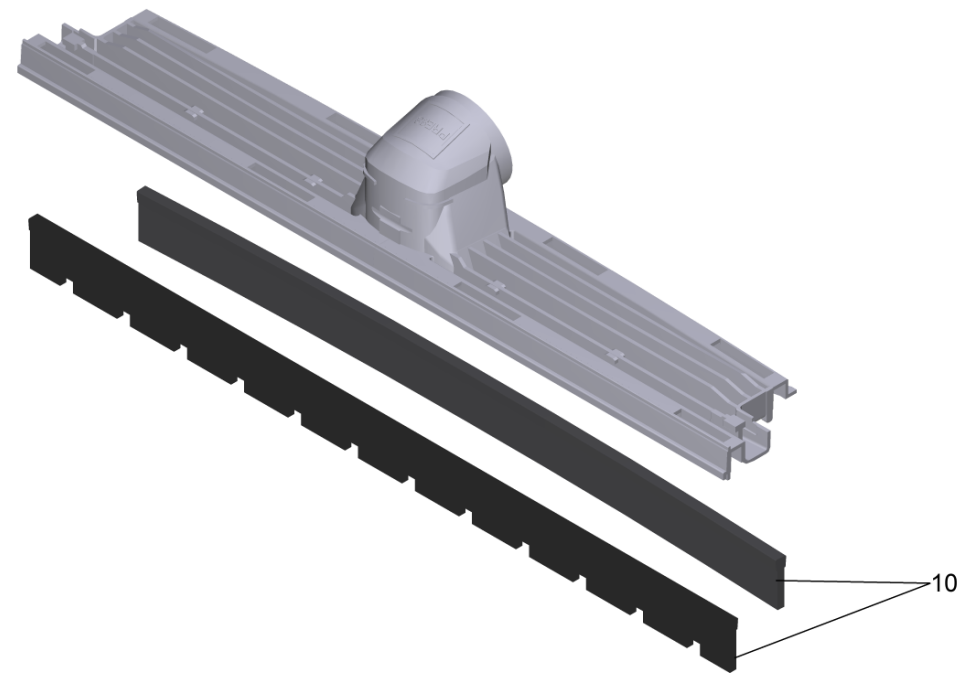
40 Floor tool packaged NW40 360mm (2.889-153.0)

POS	Article no.	Description	Quantity	Unit
10	4.862-020.0	Assembly group holder rubber lips	1.000	ST
20	4.862-017.0	Assembly group holder brush strips	1.000	ST
30	4.515-342.0	Roller complete with axle	1.000	ST



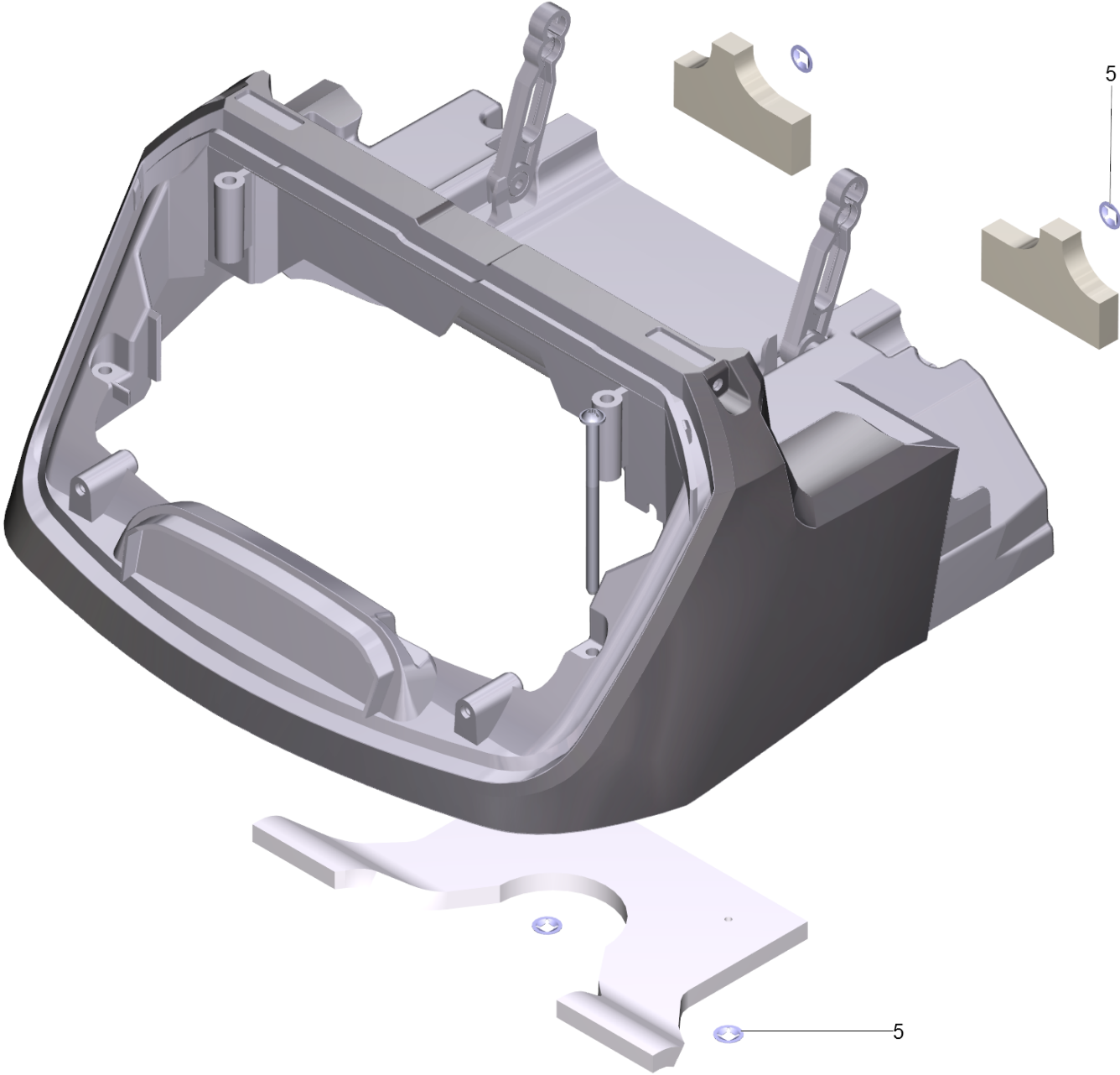
10 Assembly group holder rubber lips (4.862-020.0)

POS	Article no.	Description	Quantity	Unit
2	4.071-607.0	Spare parts set rubber lips packaged	1.000	ST



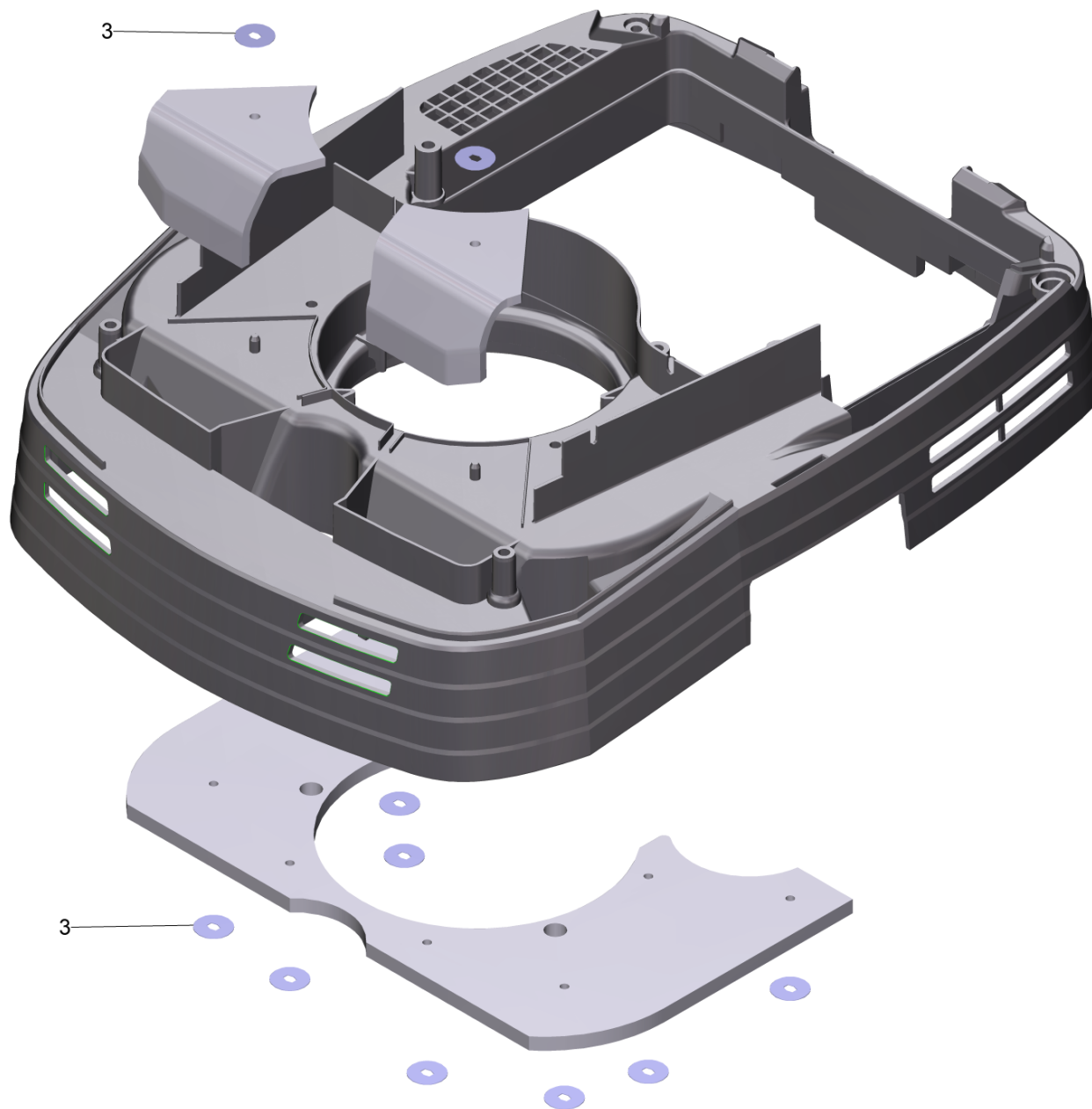
20 Assembly group holder brush strips (4.862-017.0)

POS	Article no.	Description	Quantity	Unit
10	4.071-606.0	Spare parts set brush strip packaged	1.000	ST



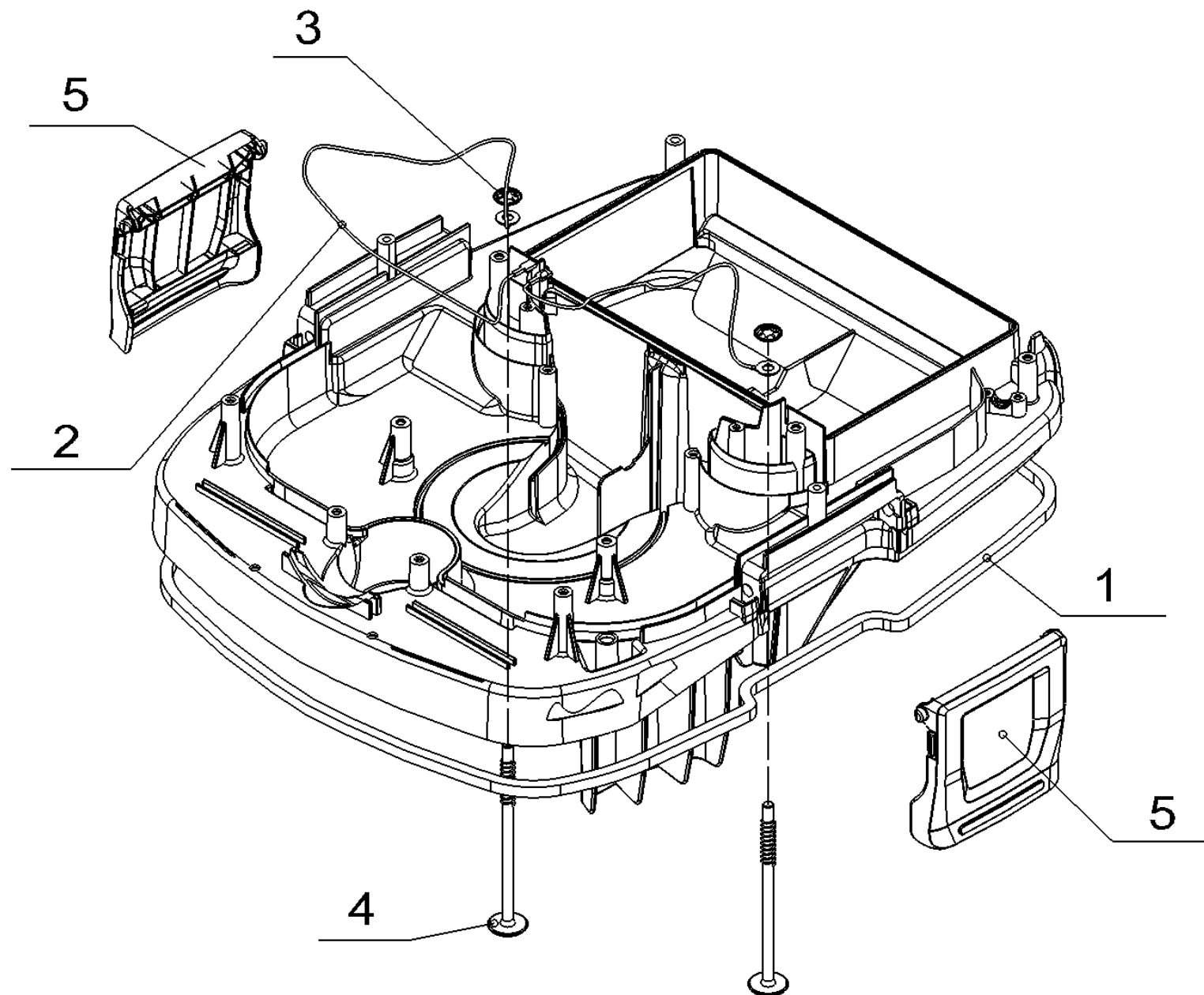
17 Cover set (4.070-384.0)

POS	Article no.	Description	Quantity	Unit
5	6.343-145.0	Lock washer 5	4.000	ST



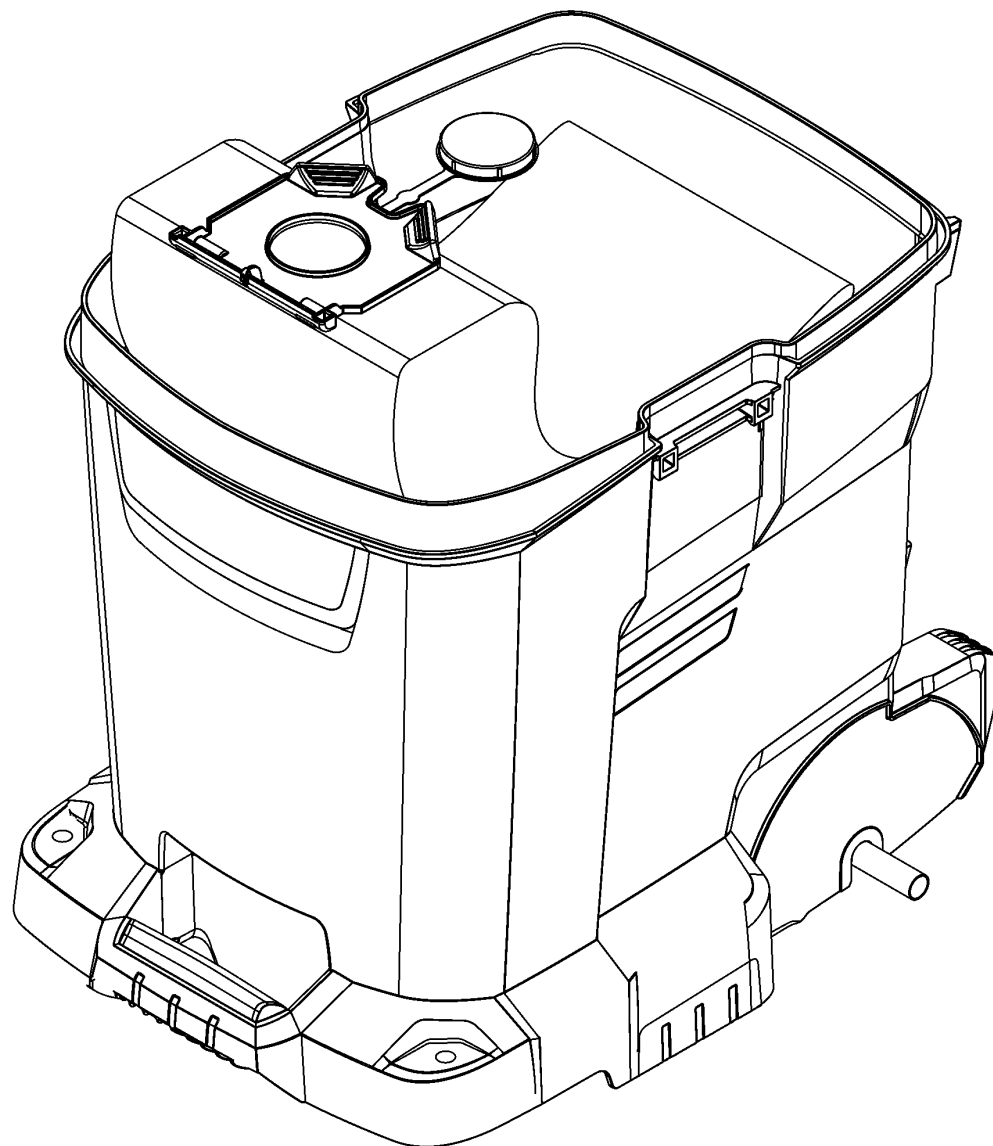
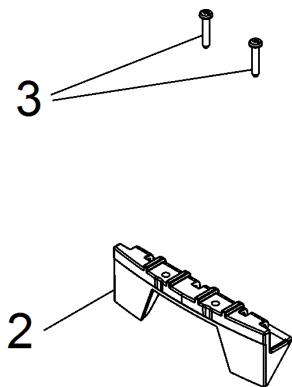
90 Housing air circulation set (4.070-395.0)

POS	Article no.	Description	Quantity	Unit
3	6.343-145.0	Lock washer 5	10.000	ST



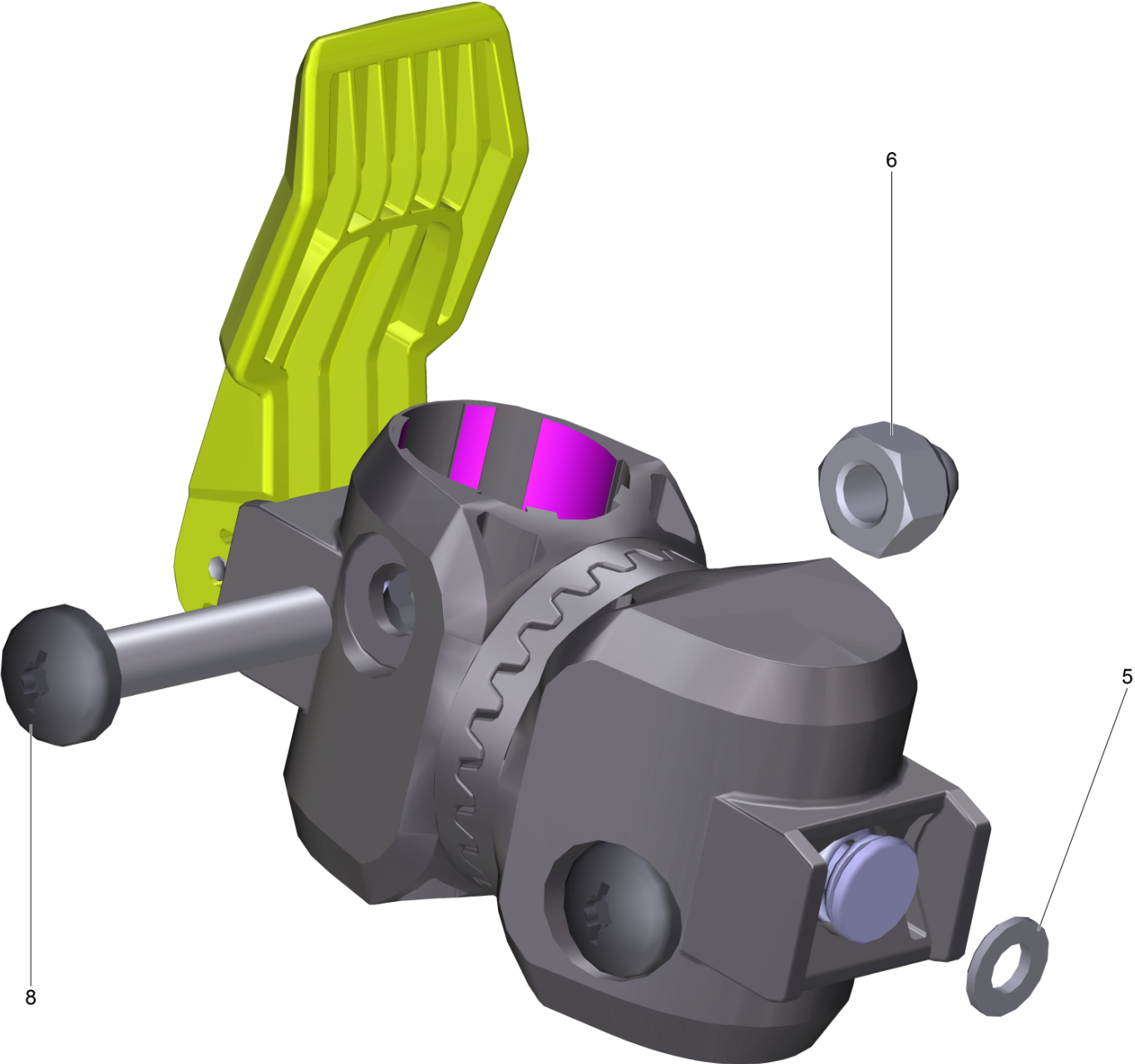
102 Housing base plate set (4.070-385.0)

POS	Article no.	Description	Quantity	Unit
1	6.273-018.3	Seal string housing base plate	1.000	ST
2	6.650-666.0	Cable probe light blue 0,5mm ² x490mm	2.000	ST
3	6.343-119.0	Lock washer	2.000	ST
4	5.107-002.0	Probe	2.000	ST
5	5.033-034.0	Locking clip	2.000	ST



130 Tank set NT 50/1 (4.071-033.0)

POS	Article no.	Description	Quantity	Unit
2	5.064-099.0	Retainer flange filter bag	1.000	ST
3	7.303-096.0	Screw 4x22 -ST-10.9-R2R (IN6RD)	2.000	ST



174 Swivel joint set (4.071-041.0)

POS	Article no.	Description	Quantity	Unit
5	7.312-026.0	Washer 6 -A2 ISO 7089	2.000	ST
6	7.311-620.0	Cap nut M8 -A2 DIN 986	4.000	ST
8	6.303-285.0	Screw M 8x 40	4.000	ST