

## **Spare parts list**

(1.645-355.0) BP 5 Home & Garden \*EU

## Table of contents

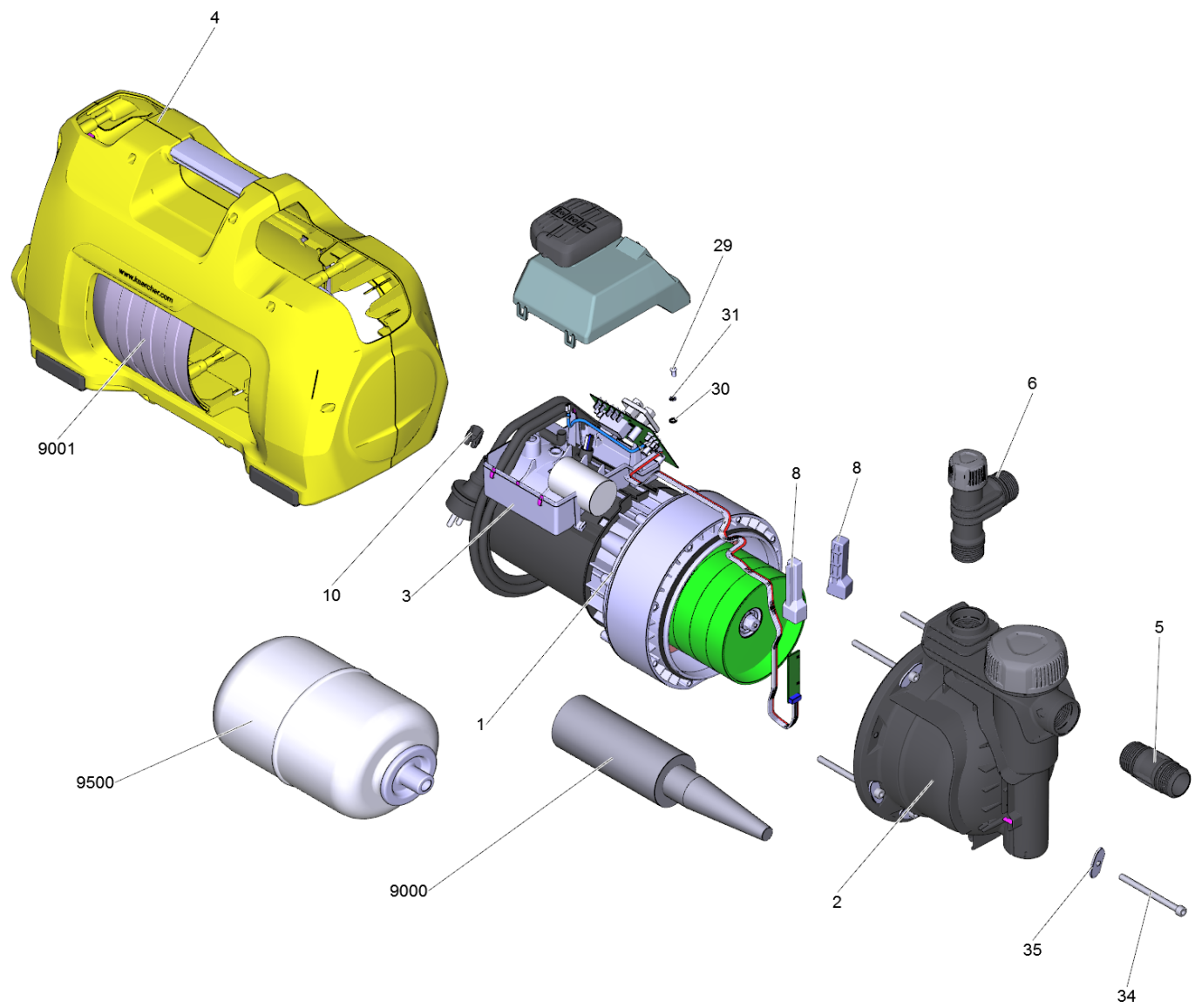
---

BP 5 Home & Garden *EU (1.645-355.0)	3
Spare parts list BP5 H&G (5.973-042.0)	4
1 Drive components BP 5 H&G	6
12 Guide wheel completely BP TOP (4.645-519.0)	8
2 Pump head completely TOP	10
4 Suction plate completely (4.645-498.0)	12
6 Start/stop valve (4.645-500.0)	14
2 PUMP HEAD CPL. TOP	16
4 Suction plate completely (4.645-498.0)	18
6 Valve complete (4.645-620.0)	20
3 Electronic components BP 5 H&G	22
4 Housing completely	24
999 Housing set for replacement BP Middle/ T (4.645-576.0)	26
999 Housing set for replacement Middle/ Top (4.645-622.0)	28
5 Adapter connection (6.997-473.0)	30
6 Adapter Anschluss 2-Wege (6.997-474.0)	32

BP 5 Home & Garden \*EU (1.645-355.0)

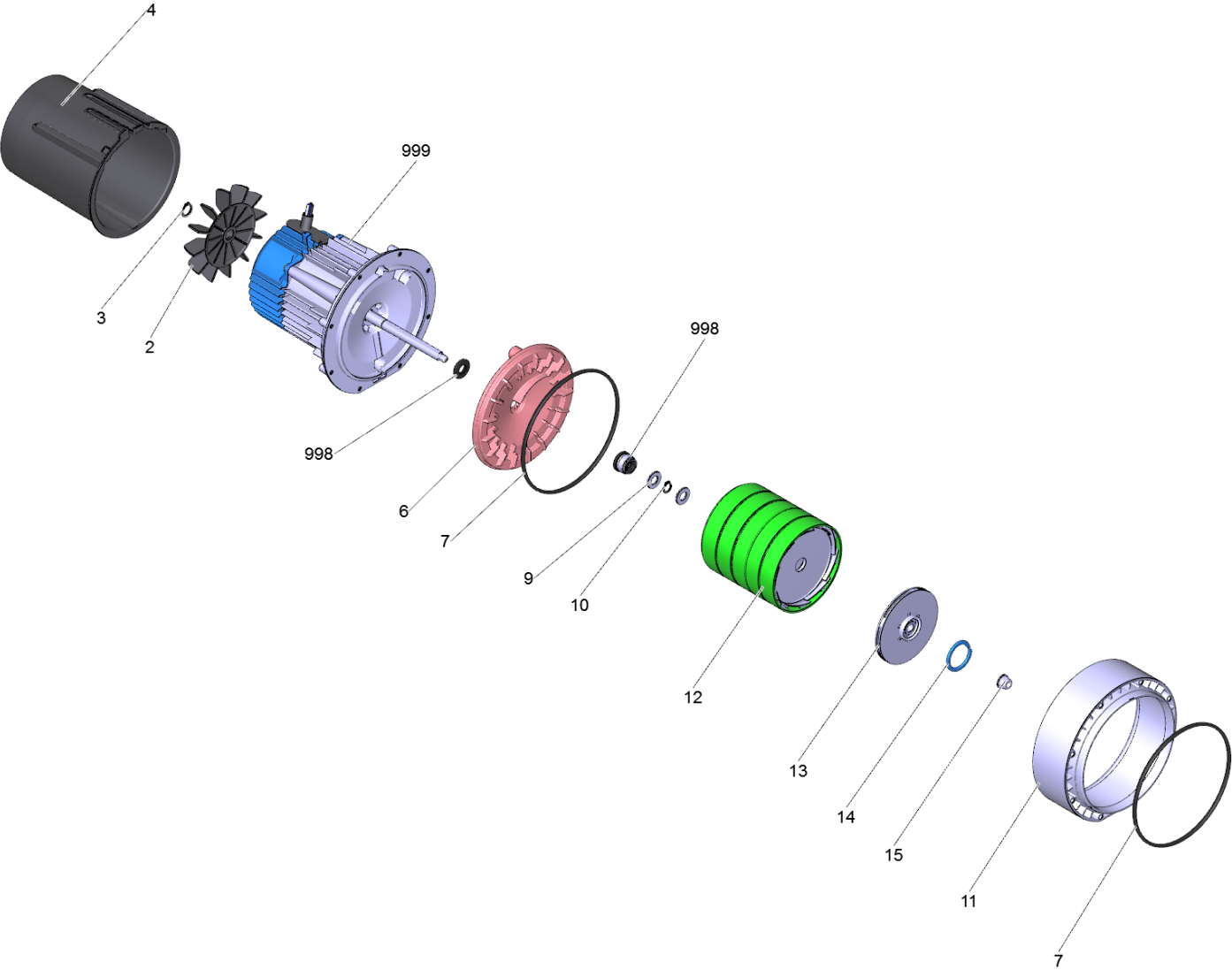
---

POS	Article no.	Description	Quantity	Unit
0	5.973-042.0	Spare parts list BP5 H&G	1.000	ST



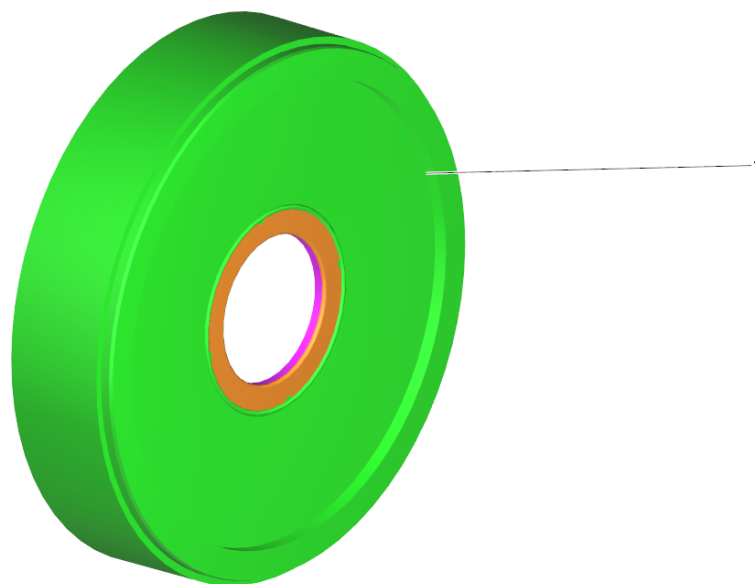
## Spare parts list BP5 H&amp;G (5.973-042.0)

POS	Article no.	Description	Quantity	Unit	Serial number from	Serial number to	Foot note text
1		Drive components BP 5 H&G	1.000	ST			
2		PUMP HEAD CPL. TOP	1.000	ST	100000		VERSION 2
2		Pump head completely TOP	1.000	ST		99999	VERSION 1
3		Electronic components BP 5 H&G	1.000	ST			
4		Housing completely	1.000	ST			
5	6.997-473.0	Adapter connection	1.000	ST			
6	6.997-474.0	Adapter Anschluss 2-Wege	1.000	ST			
8	5.645-986.0	Covering cap sensor	1.000	ST			VERSION 2
8	5.645-854.0	Covering cap sensor board	1.000	ST			VERSION 1
9	5.645-426.0	Cable clip	1.000	ST			
29	6.645-666.0	Screw M4x8	1.000	ST			
30	6.645-665.0	Toothed lock washer 4	1.000	ST			
31	6.645-664.0	Spring washer B 4	1.000	ST			
34	7.306-277.0	Cylinder head screw M6x85 -A2-70 ISO 476	8.000	ST			
35	5.645-248.0	Spacer GP-M	8.000	ST			
9000	6.645-856.0	SILICONE GEL FOR REPLACEMENT 937 T	1.000	ST			
9001	4.645-588.0	Panel set for replacement Top Metall	1.000	ST			
9500	4.645-623.0	Pressure boiler with adapter	1.000	ST			



## 1 Drive components BP 5 H&G

POS	Article no.	Description	Quantity	Unit
2	6.645-625.0	Blower	1.000	ST
3	7.343-015.0	Locking ring 15x1-FST-RF DIN 471	1.000	ST
4	5.645-830.0	Air circulation BP TOP	1.000	ST
6	5.645-831.0	Backplate hydraulic HGP TOP	1.000	ST
7	6.645-733.0	O-Ring seal 160x4	2.000	ST
9	5.645-269.0	Washer 12,2 x 23 x 1,5	2.000	ST
10	7.343-003.0	Locking ring 12x1-Rf-St DIN 471	1.000	ST
11	5.645-800.0	Pump head extension	1.000	ST
12	4.645-519.0	Guide wheel completely BP TOP	4.000	ST
13	4.645-518.0	Impeller completely BP TOP	4.000	ST
14	5.645-860.0	Seal ilmpeller	4.000	ST
15	5.645-437.0	Nut with clamping part	1.000	ST
998	4.645-584.0	Set slip-ring for replacement Top	1.000	ST
999	4.645-582.0	Motor for replacement BP 5 H&G	1.000	ST



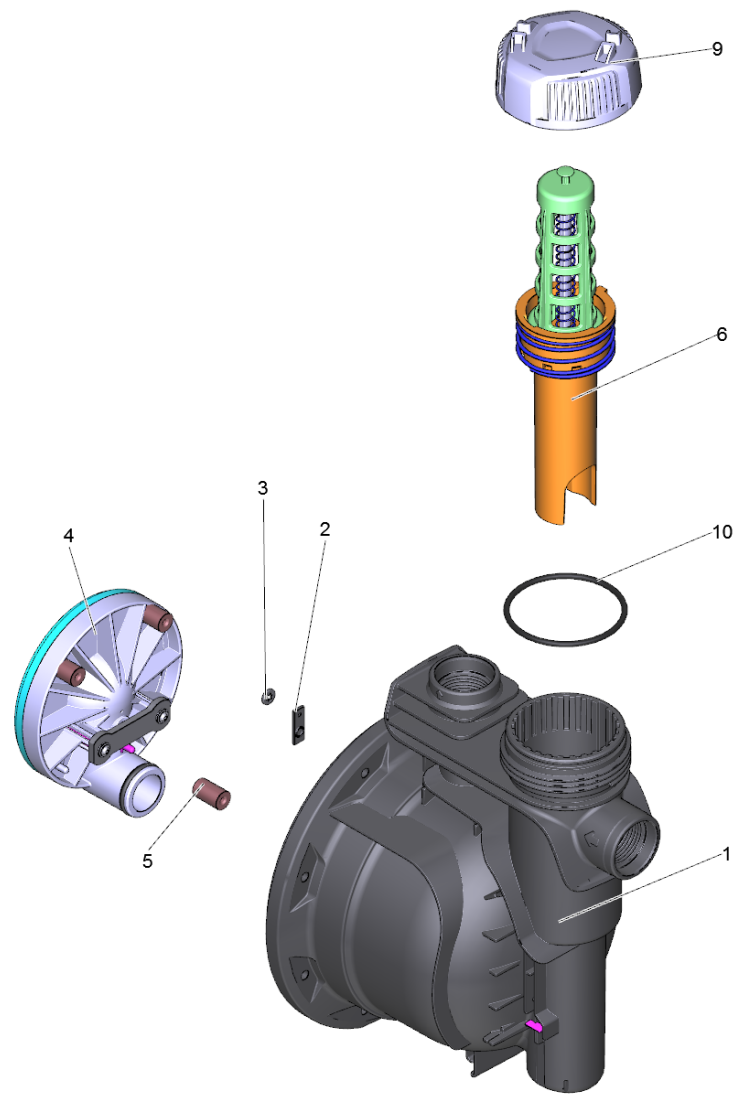


12 Guide wheel completely BP TOP (4.645-519.0)

---

POS	Article no.	Description	Quantity	Unit
1	5.645-862.0	Guide wheel BP TOP	1.000	ST

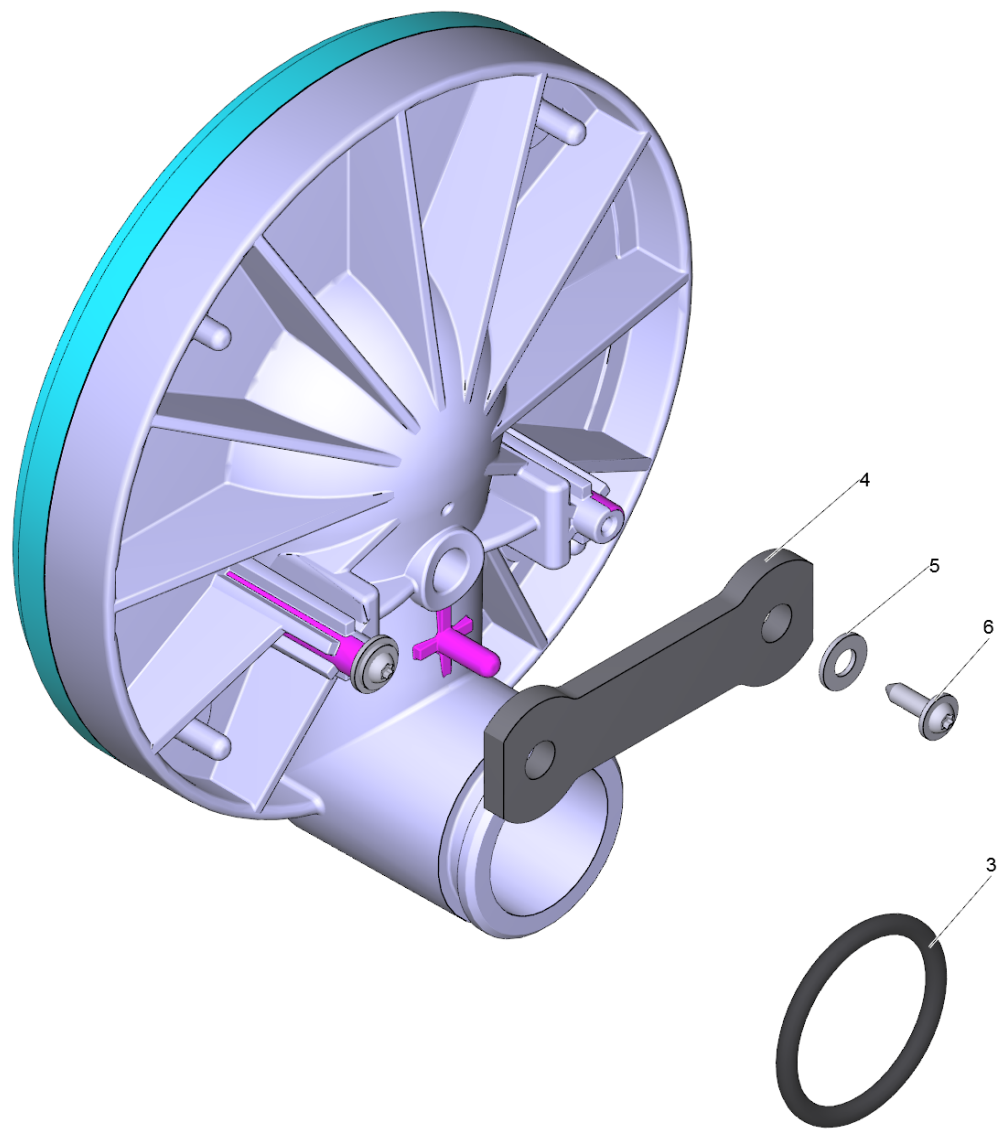
---



## 2 Pump head completely TOP

---

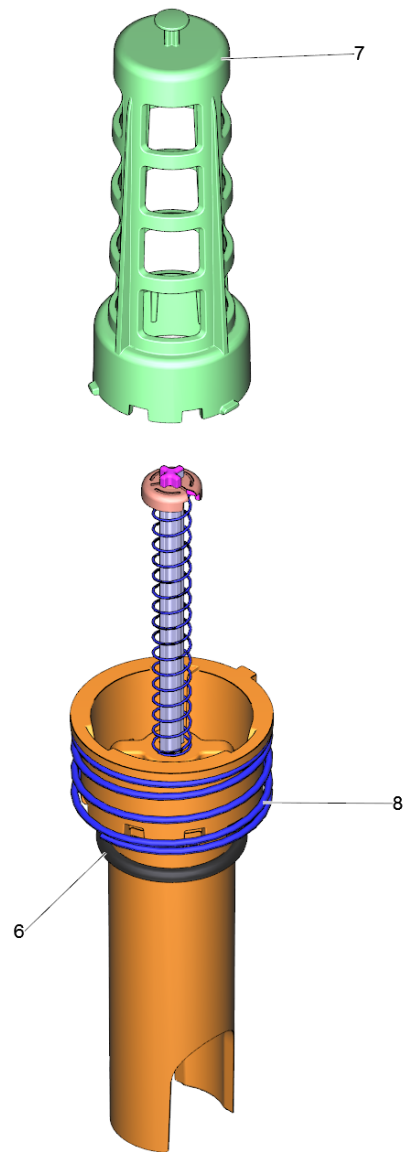
<b>POS</b>	<b>Article no.</b>	<b>Description</b>	<b>Quantity</b>	<b>Unit</b>
1	5.645-767.0	Pump head BP MIDDLE/TOP	1.000	ST
2	6.645-346.0	Rubber ventilation	1.000	ST
3	6.343-139.0	Lock washer	1.000	ST
4	4.645-498.0	Suction plate completely	1.000	ST
5	6.645-322.0	Rubber buffer GP-M	3.000	ST
6	4.645-500.0	Start/stop valve	1.000	ST
9	5.645-840.0	Filter cover	1.000	ST
10	6.645-738.0	O-Ring seal 63x3,15	1.000	ST



#### 4 Suction plate completely (4.645-498.0)

---

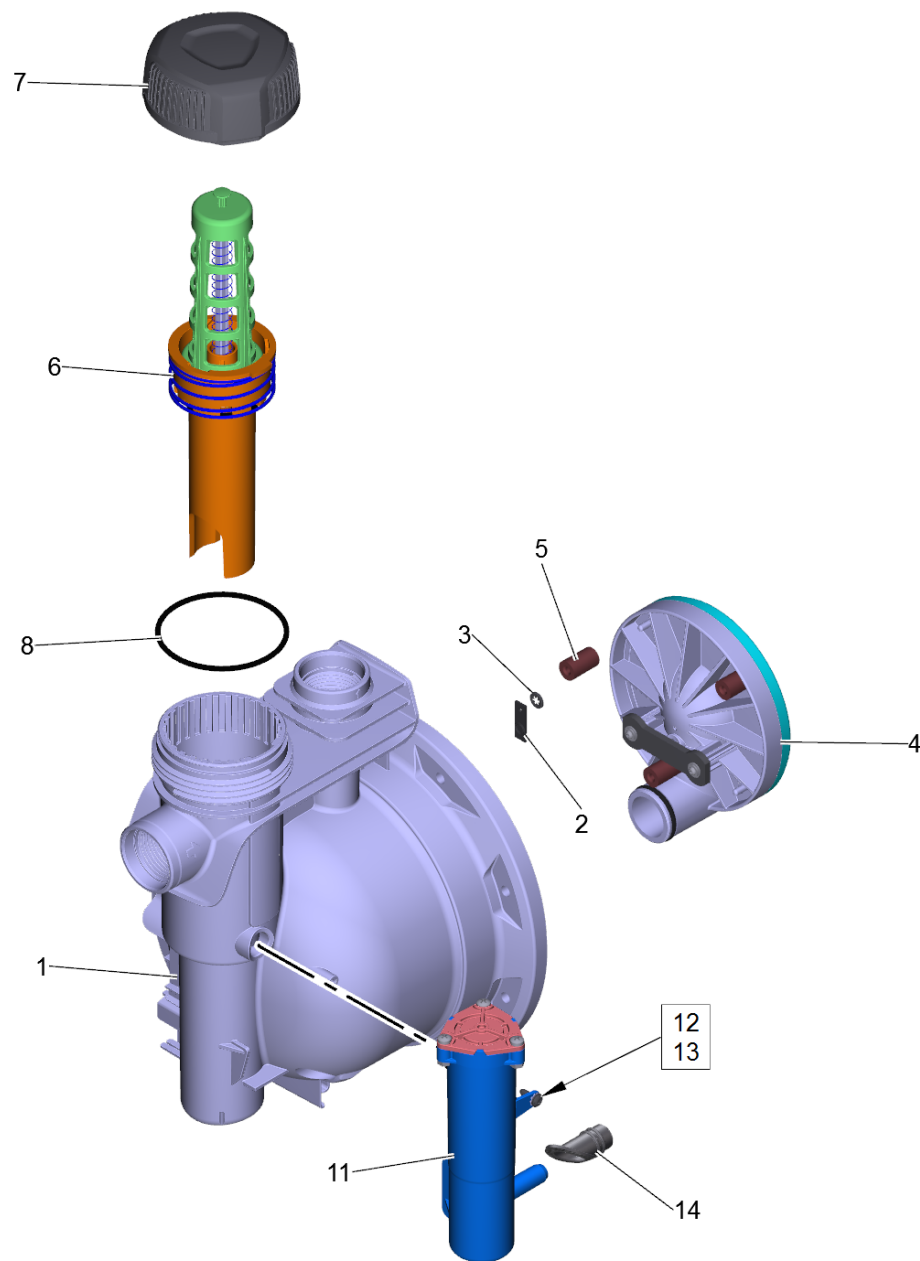
<b>POS</b>	<b>Article no.</b>	<b>Description</b>	<b>Quantity</b>	<b>Unit</b>
3	6.645-647.0	O-Ring seal 28x3	1.000	ST
4	6.645-332.0	Flap rubber GP-M	1.000	ST
5	7.312-067.0	Washer 4-A2 ISO 7089	2.000	ST
6	7.303-242.0	Screw 3x10 -A2-70 (IN6RD)	2.000	ST



6 Start/stop valve (4.645-500.0)

---

<b>POS</b>	<b>Article no.</b>	<b>Description</b>	<b>Quantity</b>	<b>Unit</b>
6	6.645-632.0	O-Ring seal 36x5	1.000	ST
7	5.645-818.0	Prefilter	1.000	ST
8	6.645-633.0	Spring Ø1,9xØ57,1x65	1.000	ST

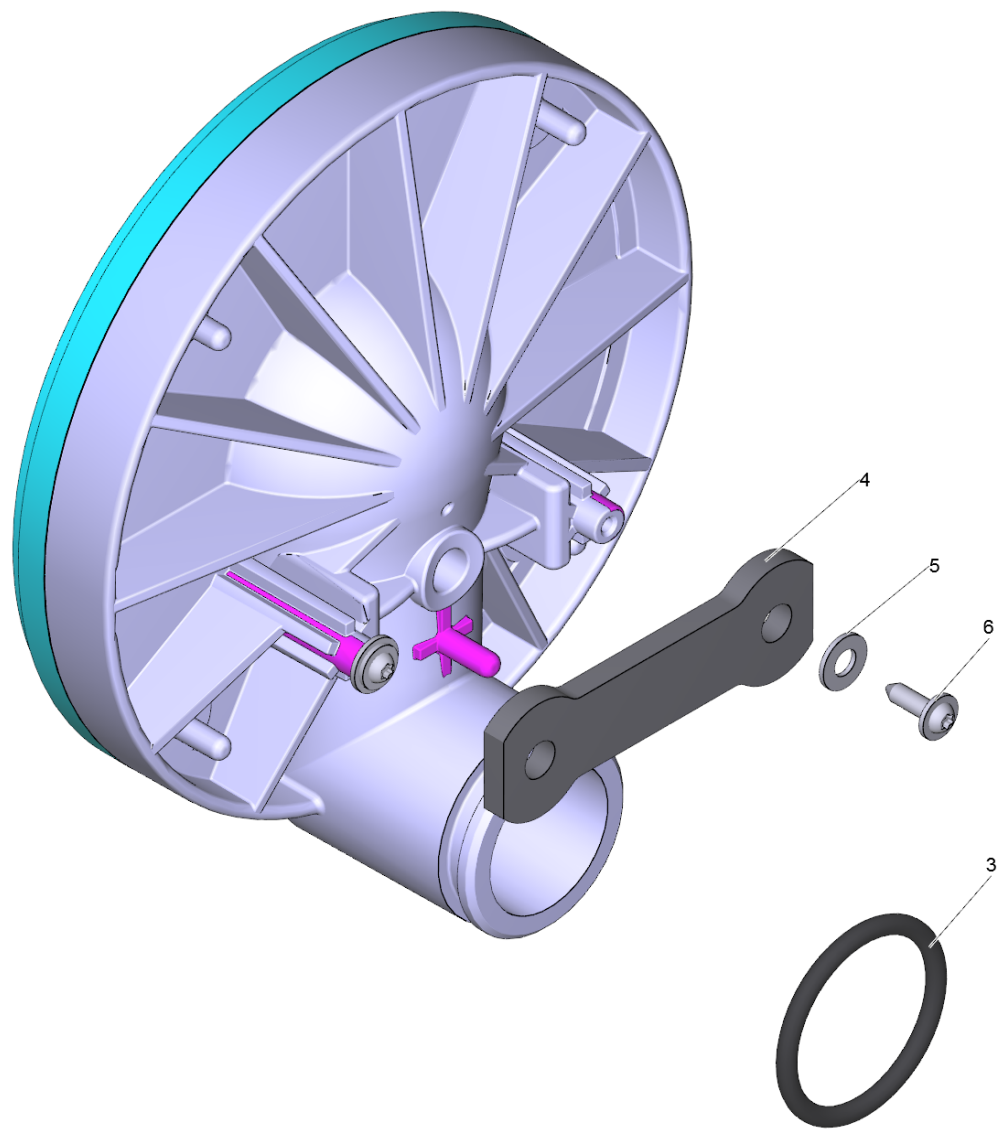




## 2 PUMP HEAD CPL. TOP

---

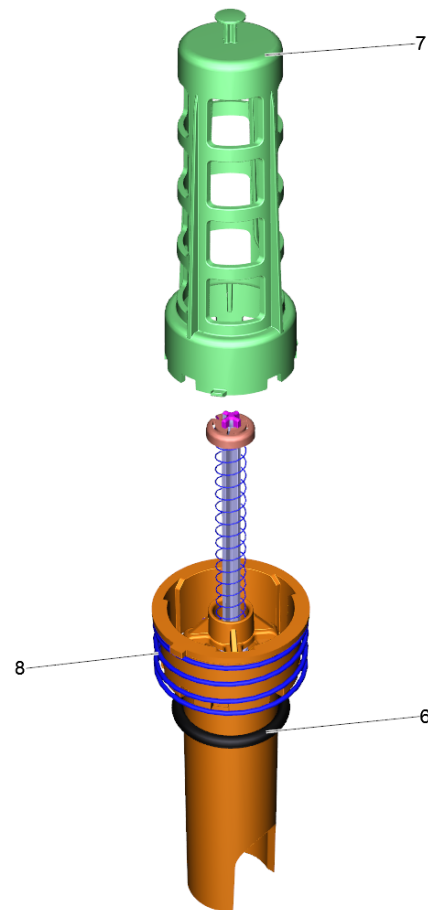
POS	Article no.	Description	Quantity	Unit
1	5.645-985.0	Pump head	1.000	ST
2	6.645-346.0	Rubber ventilation	1.000	ST
3	6.343-139.0	Lock washer	1.000	ST
4	4.645-498.0	Suction plate completely	1.000	ST
5	6.645-322.0	Rubber buffer GP-M	3.000	ST
6	4.645-620.0	Valve complete	1.000	ST
7	5.645-840.0	Filter cover	1.000	ST
8	6.645-738.0	O-Ring seal 63x3,15	1.000	ST
11	4.645-616.0	Pressure compensation valve	1.000	ST
12	7.303-116.0	Screw 4x12-A2-70 (IN6RD)	1.000	ST
13	6.645-665.0	Toothed lock washer 4	1.000	ST
14	5.645-978.0	Rubber grommet	1.000	ST



#### 4 Suction plate completely (4.645-498.0)

---

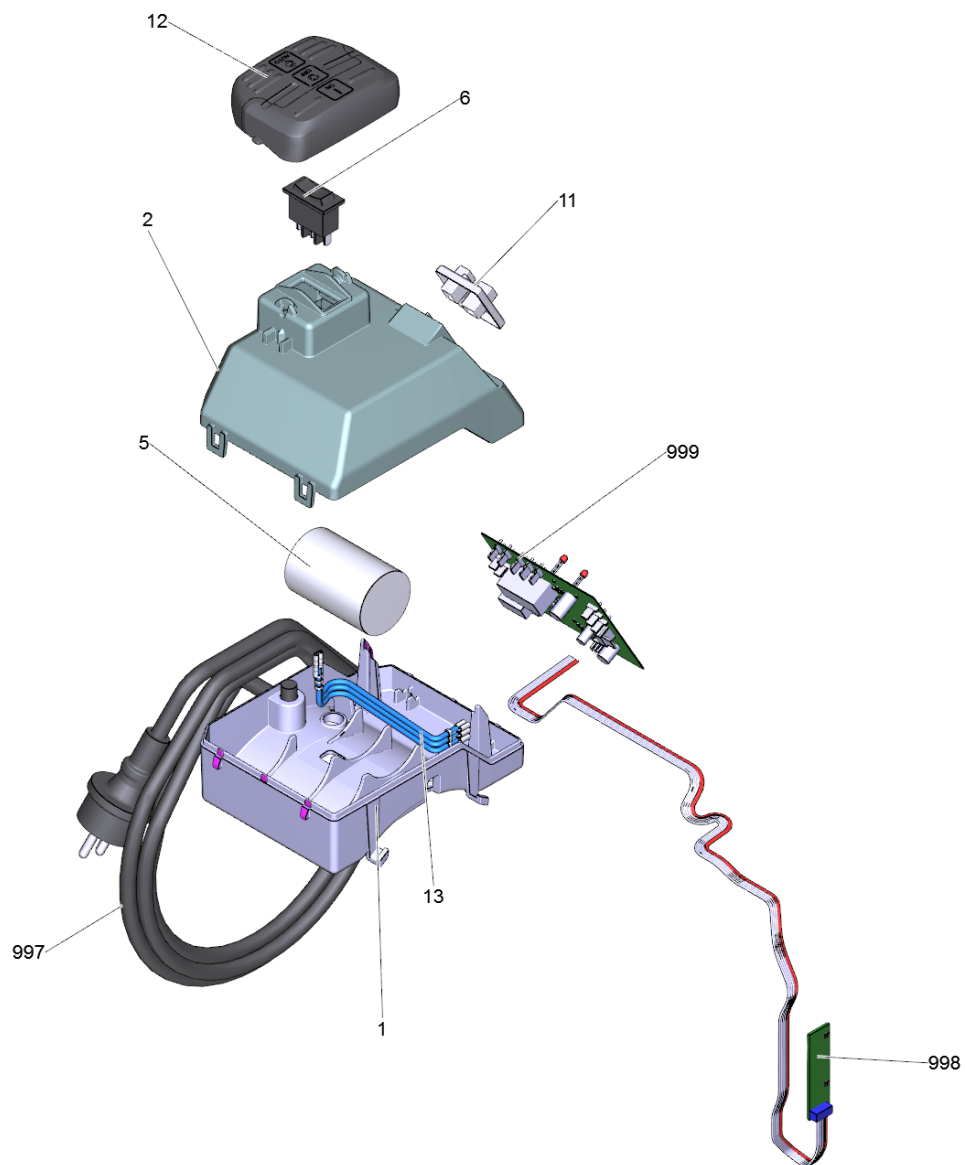
<b>POS</b>	<b>Article no.</b>	<b>Description</b>	<b>Quantity</b>	<b>Unit</b>
3	6.645-647.0	O-Ring seal 28x3	1.000	ST
4	6.645-332.0	Flap rubber GP-M	1.000	ST
5	7.312-067.0	Washer 4-A2 ISO 7089	2.000	ST
6	7.303-242.0	Screw 3x10 -A2-70 (IN6RD)	2.000	ST



6 Valve complete (4.645-620.0)

---

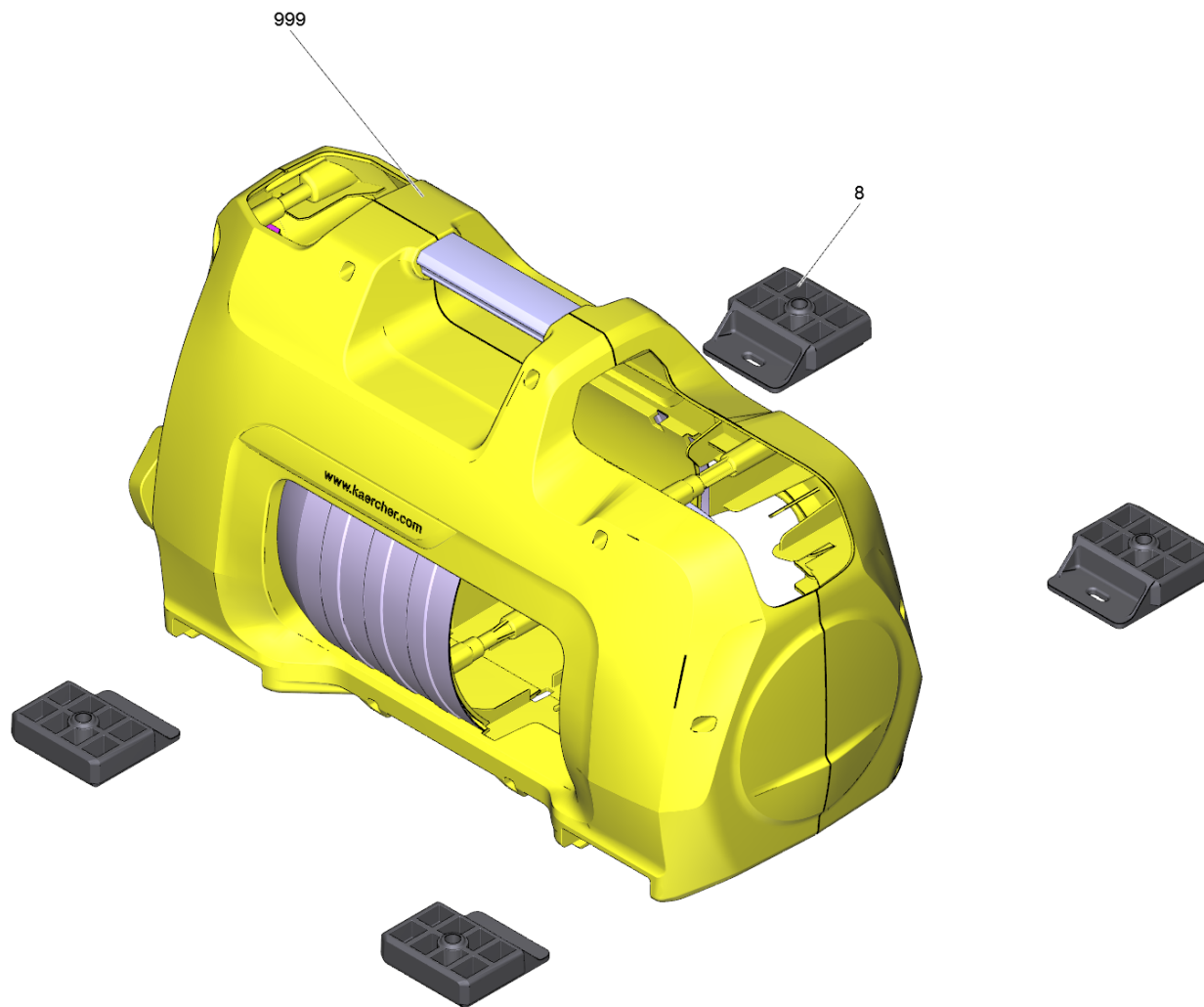
POS	Article no.	Description	Quantity	Unit
6	6.645-632.0	O-Ring seal 36x5	1.000	ST
7	5.645-818.0	Prefilter	1.000	ST
8	6.645-633.0	Spring Ø1,9xØ57,1x65	1.000	ST



### 3 Electronic components BP 5 H&G

---

<b>POS</b>	<b>Article no.</b>	<b>Description</b>	<b>Quantity</b>	<b>Unit</b>
1	5.645-795.0	Electrical box bottom part	1.000	ST
2	5.645-796.0	Electrical box cover	1.000	ST
5	6.645-672.0	Capacitor 20µF S3	1.000	ST
6	6.645-670.0	Rocker switch	1.000	ST
11	5.645-839.0	Optical fibre	1.000	ST
12	4.645-523.0	Covering cap switch completely BP 3 H&G	1.000	ST
13	6.645-004.0	Cable with end terminal 2	3.000	ST
997	4.645-578.0	Cable with plug for replacement BP Middl	1.000	ST
998	4.645-579.0	Sensor board for replacement BP Middle/	1.000	ST
999	4.645-580.0	Mainboard for replacement BP Middle/ Top	1.000	ST

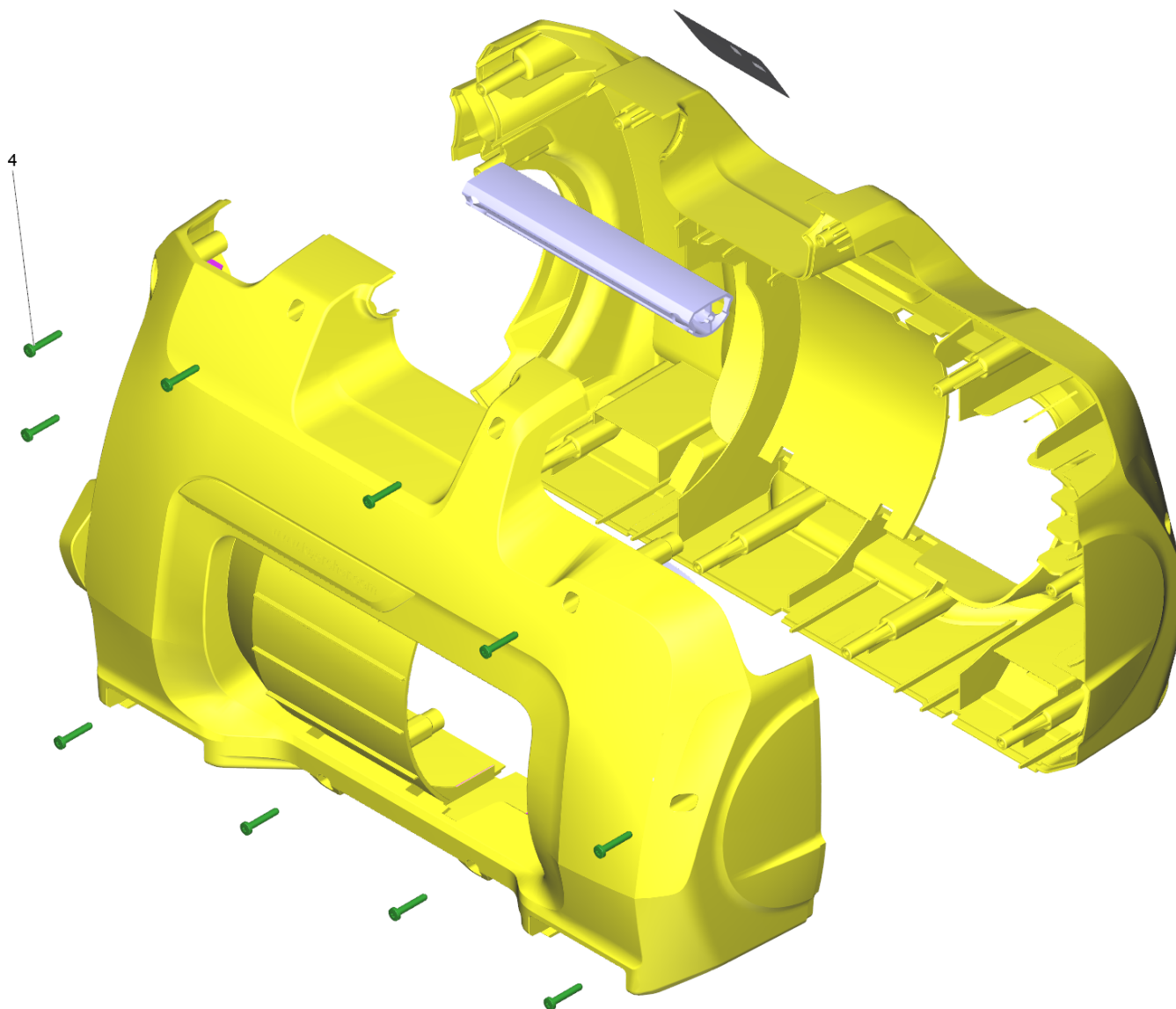




#### 4 Housing completely

---

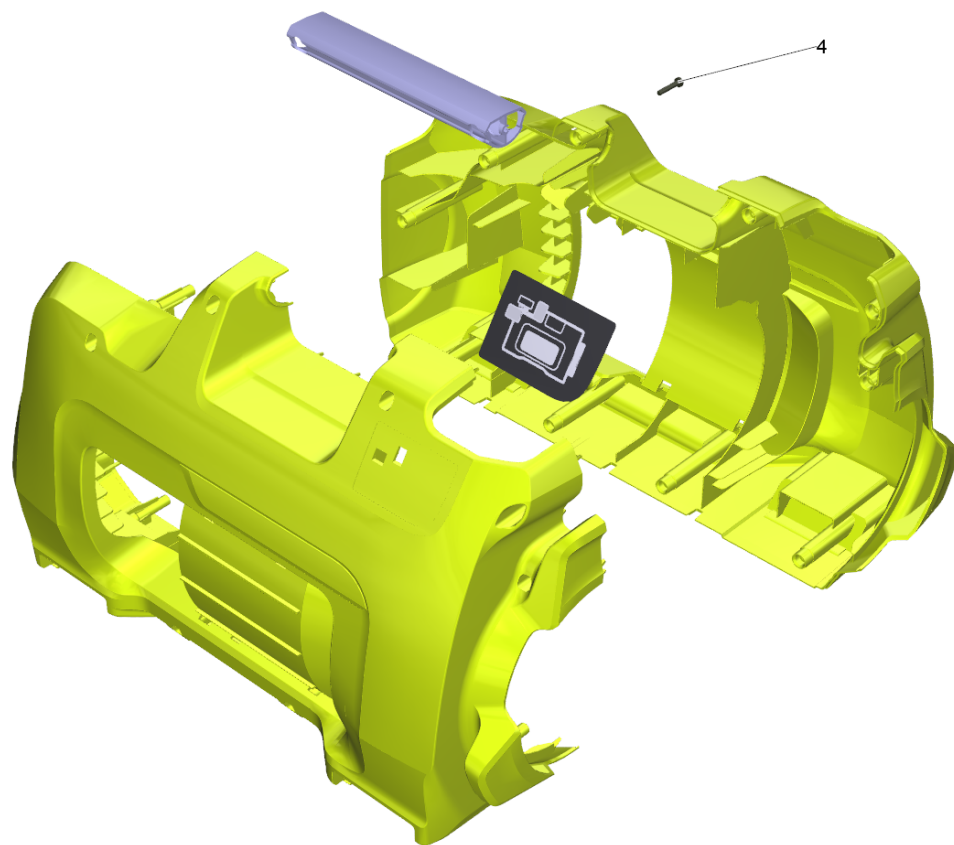
<b>POS</b>	<b>Article no.</b>	<b>Description</b>	<b>Quantity</b>	<b>Unit</b>	<b>Foot note text</b>
8	5.645-832.0	Rubber foot	4.000	ST	
999	4.645-622.0	Housing set for replacement Middle/ Top	1.000	ST	VERSION 2
999	4.645-576.0	Housing set for replacement BP Middle/ T	1.000	ST	VERSION 1



999 Housing set for replacement BP Middle/ T (4.645-576.0)

---

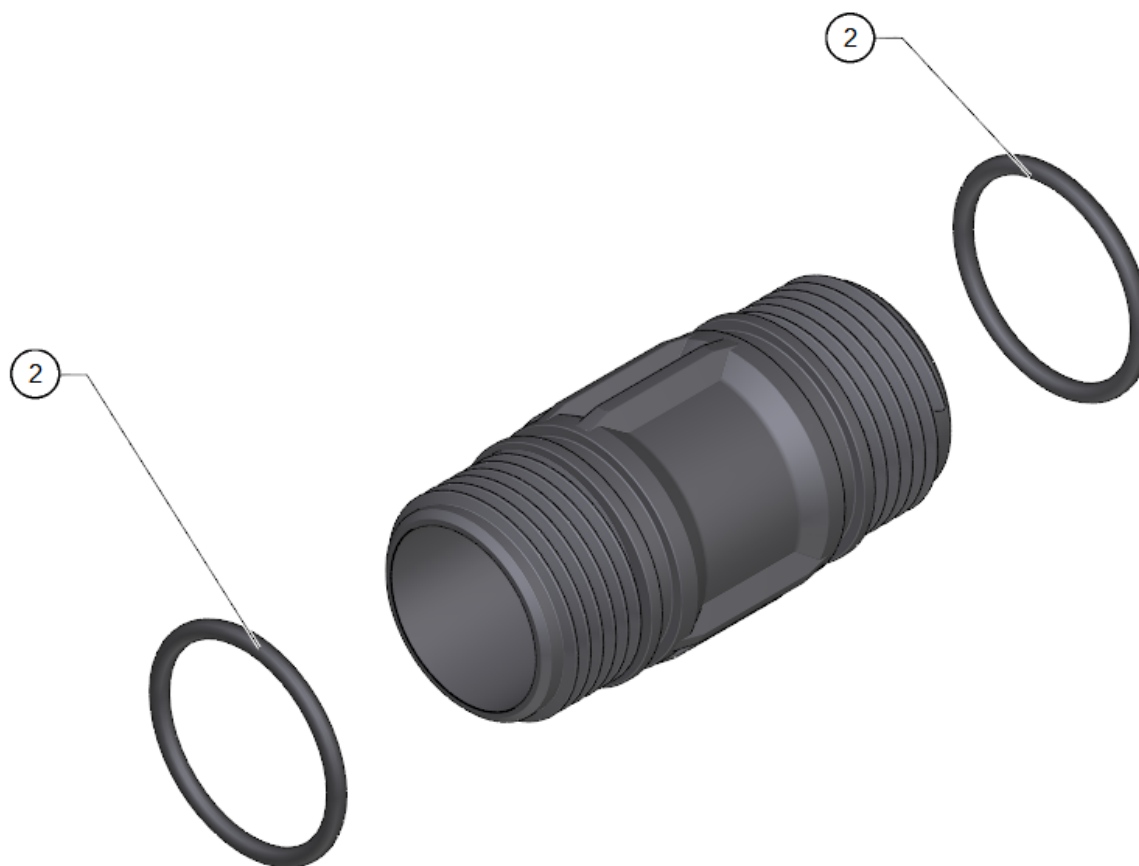
<b>POS</b>	<b>Article no.</b>	<b>Description</b>	<b>Quantity</b>	<b>Unit</b>
4	9.086-221.0	Screw ATF 4.1x22	10.000	ST



999 Housing set for replacement Middle/ Top (4.645-622.0)

---

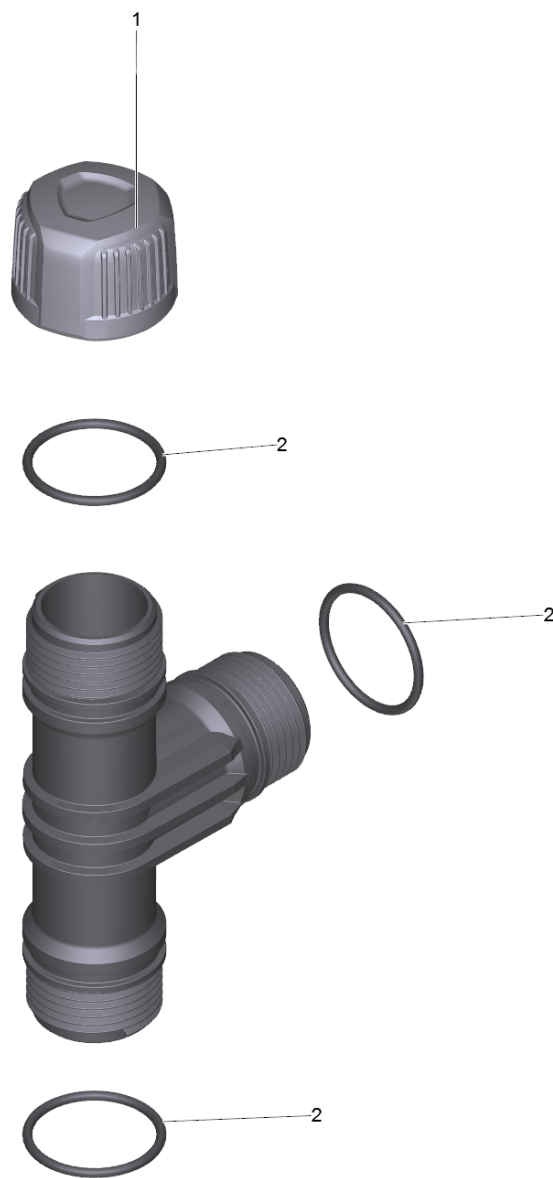
<b>POS</b>	<b>Article no.</b>	<b>Description</b>	<b>Quantity</b>	<b>Unit</b>
4	9.086-221.0	Screw ATF 4.1x22	10.000	ST



5 Adapter connection (6.997-473.0)

---

POS	Article no.	Description	Quantity	Unit
2	6.645-648.0	O-Ring seal 30x2,55	2.000	ST





## 6 Adapter Anschluss 2-Wege (6.997-474.0)

---

<b>POS</b>	<b>Article no.</b>	<b>Description</b>	<b>Quantity</b>	<b>Unit</b>
1	5.645-858.0	Closure cap	1.000	ST
2	6.645-648.0	O-Ring seal 30x2,55	3.000	ST