

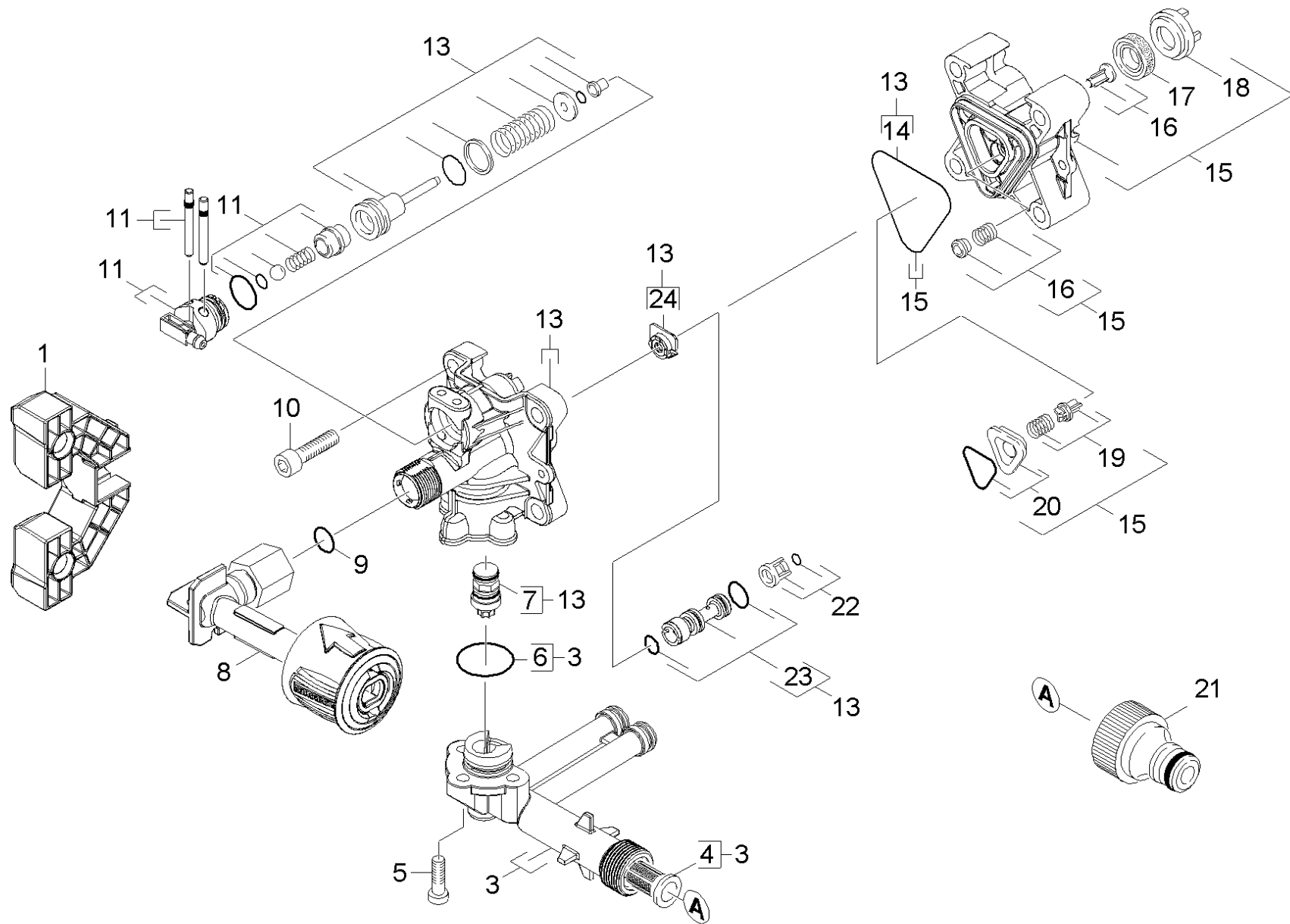
## **Spare parts list**

Housing

## Table of contents

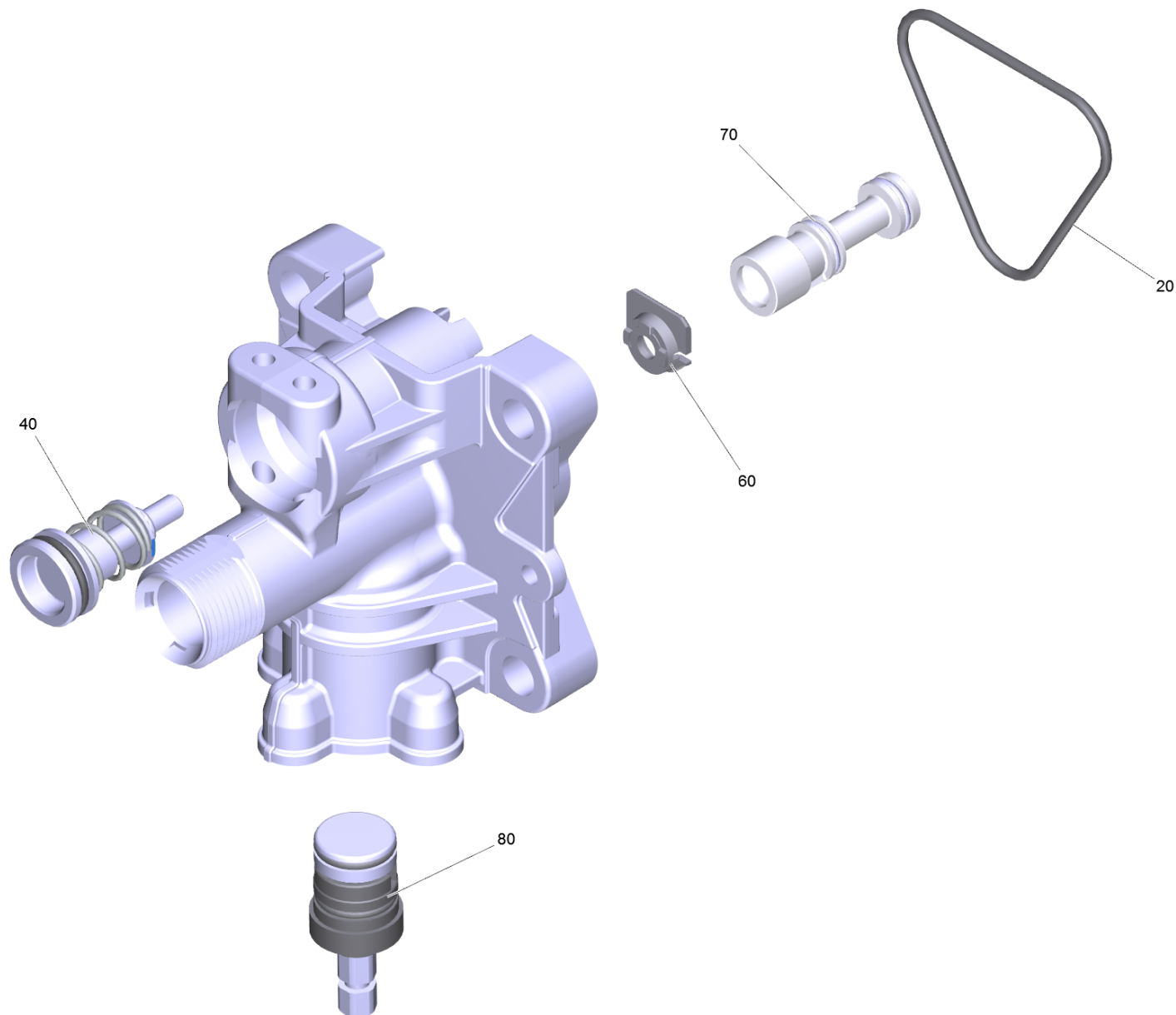
---

21 Housing	3
13 Spare part set control head (9.001-800.0)	5
70 Nozzle insert (4.769-035.0)	7
15 Pump head Alu FC ric (9.002-456.0)	9
23 Nozzle insert (4.769-035.0)	11



## 21 Housing

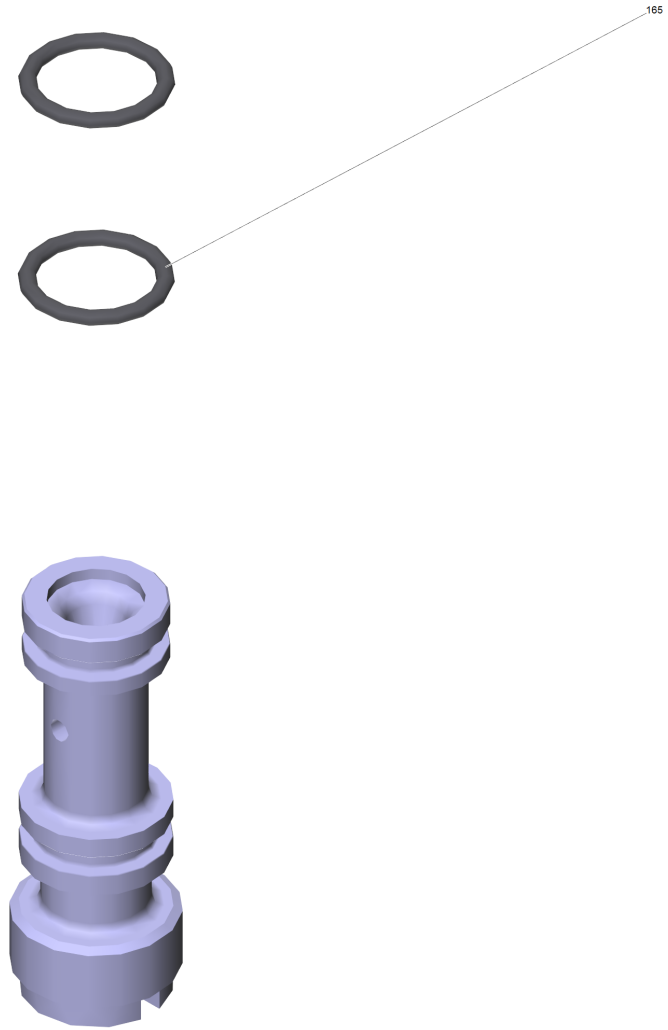
POS	Article no.	Description	Quantity	Unit
1	9.037-673.0	Bracket pump (bridge)	1.000	ST
22	9.001-819.0	Cage complete	1.000	ST
21	6.465-031.0	Connection 3/4	1.000	ST
3	9.001-745.0	Connection complete	1.000	ST
10	7.306-151.0	Cylinder head screw M8x65 -8.8-A2E ISO4	4.000	ST
24	9.037-142.0	Distance holder	1.000	ST
4	5.731-598.0	Fine filter long	1.000	ST
14	9.081-424.0	Form seal	1.000	ST
17	6.362-875.0	Grooved ring	3.000	ST
20	9.001-276.0	Joining piece	1.000	ST
16	9.001-110.0	Moulded part complete	1.000	ST
23	4.769-035.0	Nozzle insert	1.000	ST
9	6.362-151.0	O-Ring d. 10 x 2 NBR 70	1.000	ST
6	9.081-417.0	O-Ring d.20 x 2	1.000	ST
8	9.002-412.0	outlet fitting K5 Al (spare)	1.000	ST
7	9.002-164.0	plastic by pass (spare)	1.000	ST
15	9.002-456.0	Pump head Alu FC ric	1.000	ST
5	9.086-199.0	Screw M6x16	3.000	ST
13	9.001-800.0	Spare part set control head	1.000	ST
11	9.001-277.0	Spare parts set chemistry	1.000	ST
18	9.037-059.0	Support ring	3.000	ST
	<b>Item text1:</b> 1.180-583.0/-630.0/-631.0			
18	9.038-428.0	Supportring 6,7 mm	3.000	ST
	<b>Item text1:</b> all other machines			
19	9.001-275.0	Valve set	1.000	ST



### 13 Spare part set control head (9.001-800.0)

---

<b>POS</b>	<b>Article no.</b>	<b>Description</b>	<b>Quantity</b>	<b>Unit</b>
40	9.001-291.0	Control piston set replacement	1.000	ST
60	9.037-142.0	Distance holder	1.000	ST
20	9.081-424.0	Form seal	1.000	ST
70	4.769-035.0	Nozzle insert	1.000	ST
80	9.002-164.0	plastic by pass (spare)	1.000	ST

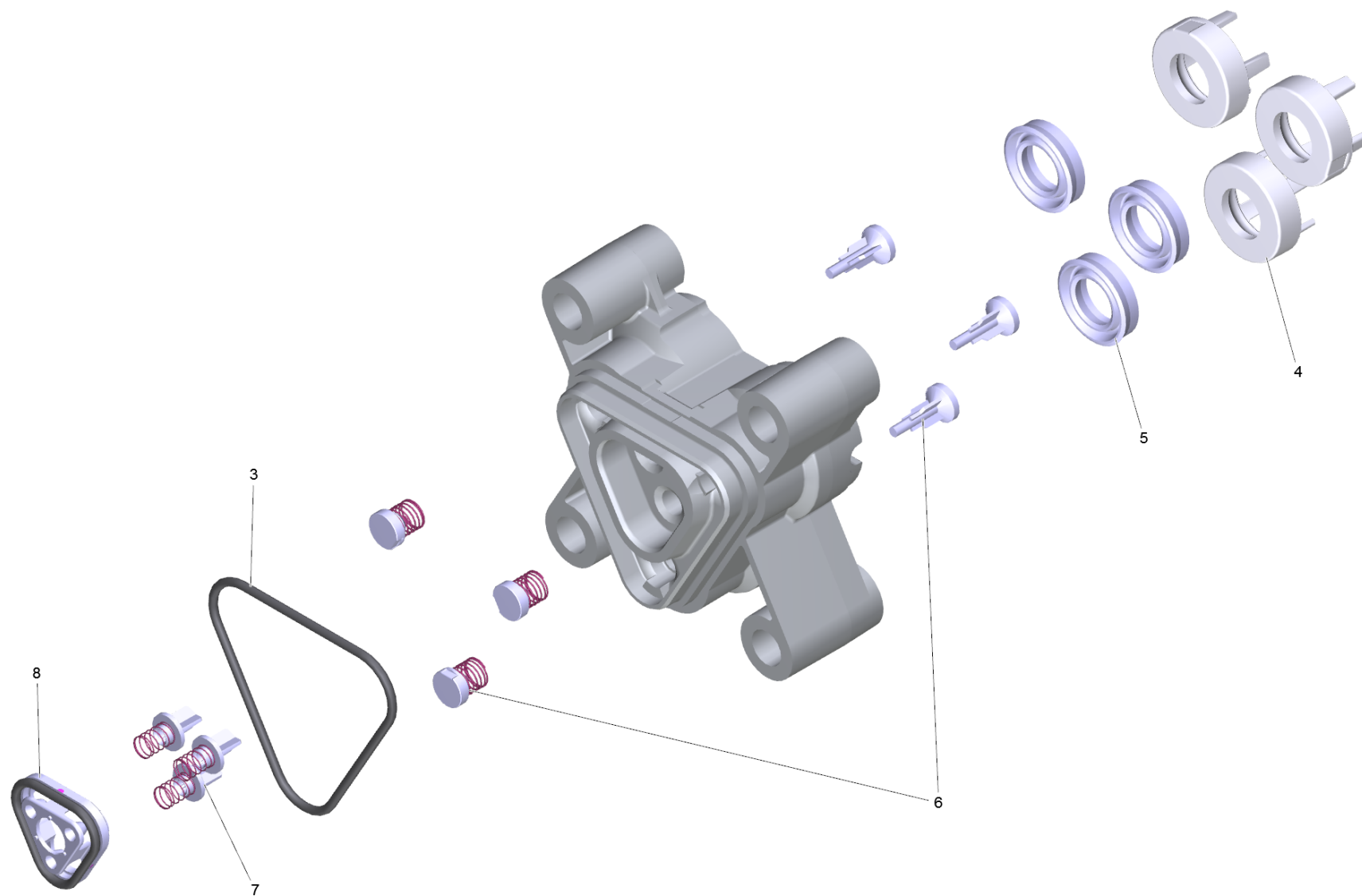


70 Nozzle insert (4.769-035.0)

---

<b>POS</b>	<b>Article no.</b>	<b>Description</b>	<b>Quantity</b>	<b>Unit</b>
165	6.362-384.0	O-Ring seal 9x1,5 - NBR 70	2.000	ST

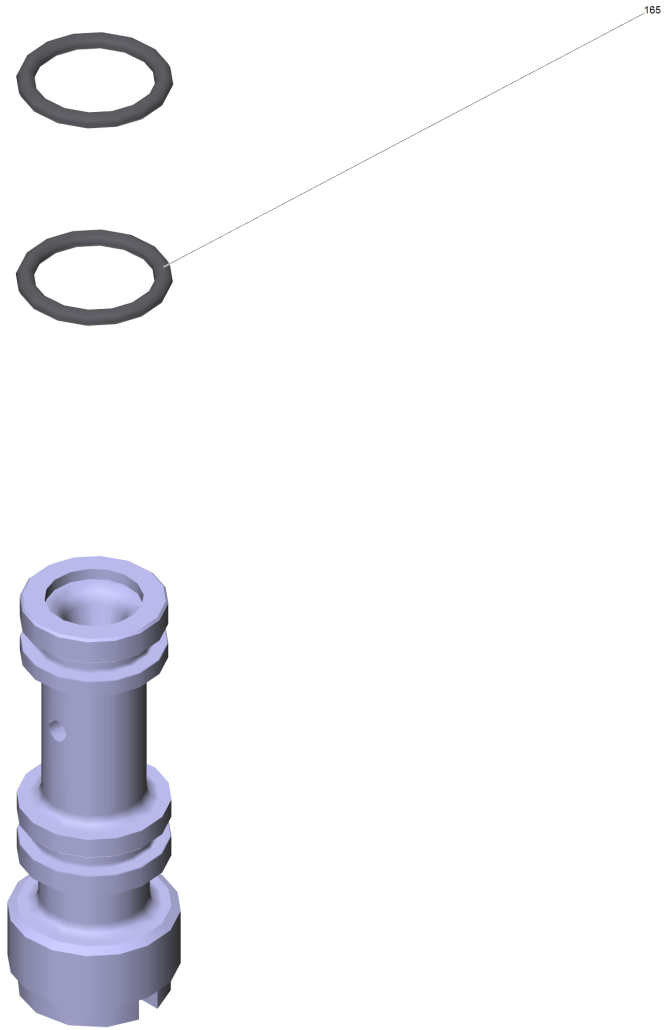




## 15 Pump head Alu FC ric (9.002-456.0)

---

<b>POS</b>	<b>Article no.</b>	<b>Description</b>	<b>Quantity</b>	<b>Unit</b>
3	9.081-424.0	Form seal	1.000	ST
5	6.362-875.0	Grooved ring	3.000	ST
8	9.001-276.0	Joining piece	1.000	ST
6	9.001-110.0	Moulded part complete	1.000	ST
4	9.038-428.0	Supportring 6,7 mm	3.000	ST
7	9.001-275.0	Valve set	1.000	ST



23 Nozzle insert (4.769-035.0)

---

<b>POS</b>	<b>Article no.</b>	<b>Description</b>	<b>Quantity</b>	<b>Unit</b>
165	6.362-384.0	O-Ring seal 9x1,5 - NBR 70	2.000	ST