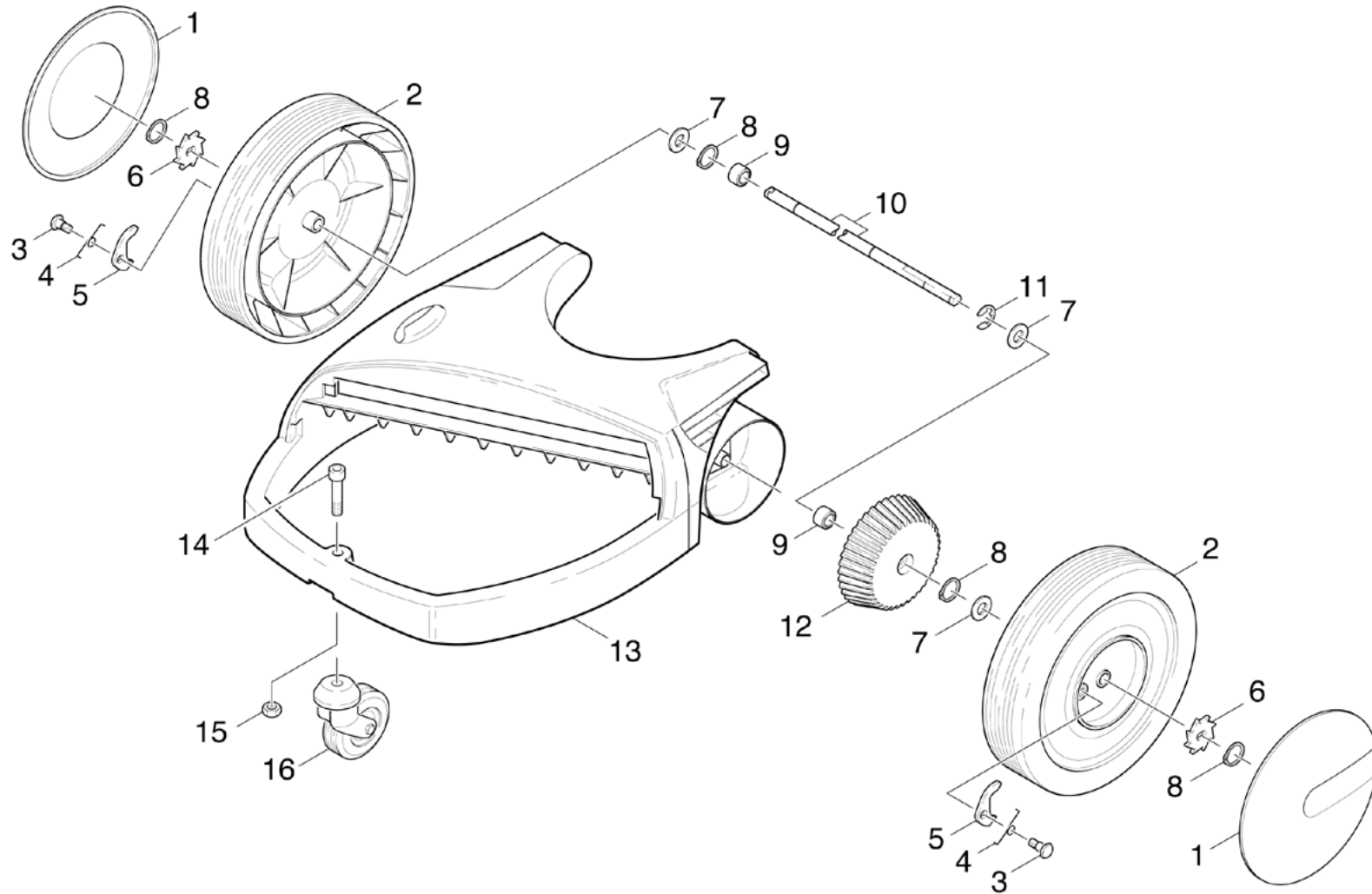


20 Transmission

Professional \ Sweepers \ Manually operated \ KM 650 I *EU \ Spare parts list KM 650 I \ Transmission



20 Transmission

Professional \ Sweepers \ Manually operated \ KM 650 I *EU \ Spare parts list KM 650 I \ Transmission



POS	Article no.	Description	Quantity	Unit	Serial number from	Serial number to	Remark
12	5.354-010.0	Angular wheel large	1.000	ST			
16	6.435-239.0	Castor	1.000	ST			
5	5.001-750.0	Catch	2.000	ST			
1	5.063-799.0	Cover wheel	2.000	ST			
14	7.306-070.0	Cylinder head screw M10x60-8.8-A3E DIN	1.000	ST			
13	5.050-133.0	Frame KM 650 I NEU	1.000	ST	21900		
15	7.311-511.0	Hexagon nut M10-8-A2E ISO 7040	1.000	ST			
4	5.332-429.0	Leg spring	2.000	ST			
8	7.343-003.0	Locking ring 12x1-Rf-St DIN 471	4.000	ST			
11	7.343-205.0	Lock washer 9-St-A2E DIN 6799	1.000	ST			
9	6.403-006.0	Plain bearing	2.000	ST			
3	5.305-268.0	Screw fixing	2.000	ST			
6	5.352-059.0	Sprag clutch	2.000	ST			
13	7.777-999.0	Stockpiling discontinued	1.000	ST		21899	REPL.BLECHT.11/01
10	7.777-999.0	Stockpiling discontinued	1.000	ST			
7	7.312-075.0	Washer 12-CuZn ISO 7092	3.000	ST			
2	5.515-110.0	Wheel	2.000	ST			