

## **Spare parts list**

(1.210-910.0) HDS 8/20 De \*EU

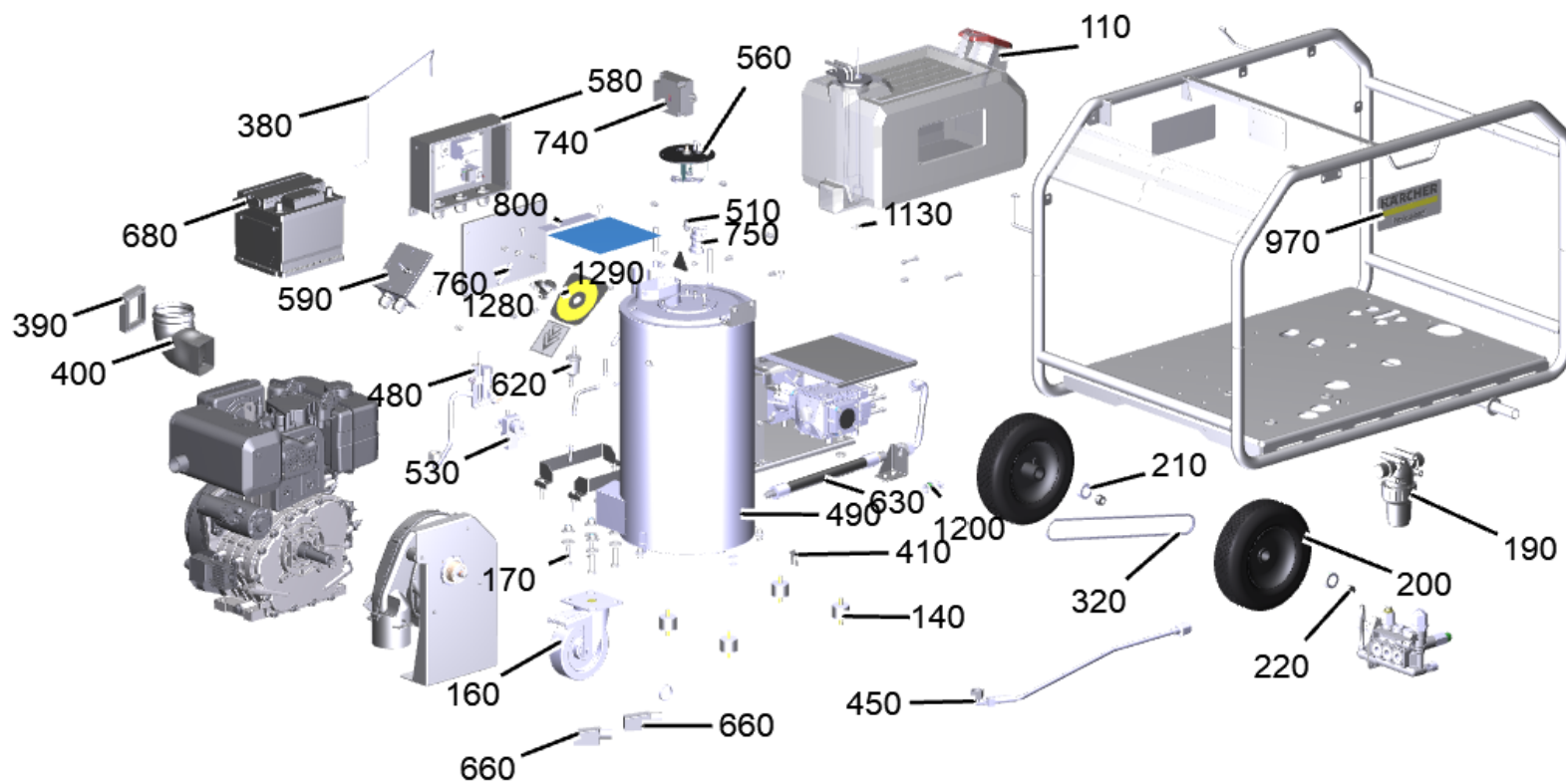
## Table of contents

---

HDS 8/20 De *EU (1.210-910.0)	4
40 Diesel engine LC186F EU (9.768-081.0)	8
10 Crankcase	9
20 Crankcase cover	11
30 Electrical system	13
40 starter	15
50 Air filter	17
60 Silencer	19
70 Fuel system	21
80 Pump set (9.751-289.0)	24
90 Cylinder head complete D15 SV ES (9.751-308.0)	26
900 Spare part set thermovalve only for repl (9.751-138.0)	30
907 Valve seat complete only for replacement (9.751-028.0)	32
908 Add-on kit Easy Start HD Classic (2.643-831.0)	34
100 Blower complete belt drive	36
90 Housing blower complete (4.605-139.0)	38
110 Fuel tank complete HDS EU (9.751-327.0)	40
10 Fuel tank sub-assembly HDS EU (9.751-309.0)	42
190 Water filter complete replacement (6.414-041.3)	45
480 Safety valve complete (9.751-293.0)	47
10 Manifold complete (9.751-277.0)	49
490 Boiler	51
1 Outer covering complete (4.652-157.0)	53
901 Bottom pressure boiler (4.655-044.0)	55
560 Cover pressure boiler complete	57
2 Conversion kit ignition electrode (2.638-974.0)	59
580 Electric box complete HDS EU (9.751-329.0)	61
590 Switch box complete (9.751-311.0)	63
9999 Accessories	65
840 Hose assembly TR DN8 31.5MPa 10 (6.110-019.0)	66
850 EASY!Force Advanced (4.118-005.0)	68
9000 Spare part set lever (2.885-483.0)	70
860 Protection part nozzle TR (5.394-123.0)	72
1 Union nut TR nozzle (5.645-973.0)	73
Specification female thread D=20 L=8,7	74
Specification female thread D=20 L=8,7	75
Specification female thread D=20 L=8,7	76
870 Power nozzle TR 25045 (2.113-022.0)	77

880 Jet pipe TR 840 mm (4.112-006.0)

79



## HDS 8/20 De \*EU (1.210-910.0)

POS	Article no.	Description	Quantity	Unit
0		PAIS	1	PC
10	9.751-307.0	Frame complete HDS 8/20 EU	1	PC
40	9.768-081.0	Diesel engine LC186F EU	1	PC
70	6.343-015.0	Tolerance ring 35X6	1	PC
80	9.751-289.0	Pump set	1	PC
90	9.751-308.0	Cylinder head complete D15 SV ES	1	PC
100		Blower complete belt drive	1	PC
110	9.751-327.0	Fuel tank complete HDS EU	1	PC
140	9.761-956.0	Rubber buffer D40x30 M8x18	4	PC
160	9.768-086.0	Castor D 150	1	PC
170	7.304-032.0	Hexagonal head screw M10x40-8.8-A3E ISO	4	PC
180	9.761-003.0	O-Ring seal 20.24 x 2.62	1	PC
190	6.414-041.3	Water filter complete replacement	1	PC
200	9.768-088.0	Wheel PU D260x82xd25	2	PC
210	9.761-621.0	Adjusting ring	2	PC
220	9.761-208.0	Drain plug	2	PC
250	7.306-047.0	Cylinder head screw M8x60 -8.8-A2E ISO4	8	PC
270	7.304-404.0	Hexagonal head screw M8x40-8.8-A2E ISO	4	PC
280	7.312-285.0	Washer 10 -200HV-A2E ISO7093-1	7	PC
290	7.312-066.0	Washer 10 -A2 ISO 7089	1	PC
300	7.306-068.0	Cylinder head screw M10x45-8.8-A2K DIN 912	4	PC
310	7.311-511.0	Hexagon nut M10-8-A2E ISO 7040	4	PC
320	9.761-878.0	Belt 3PJ 991	1	PC
350	7.306-217.0	Screw M5x14 -8.8-R2R (In6Rd)	10	PC
360	7.312-002.0	Washer 5-200HV-A3E ISO 7089	16	PC
370	7.311-421.0	Hexagon nut M 5-04-A2E DIN 985	6	PC
380	9.761-881.0	Conduit fuel HDS 8/20 *CN	1	PC
390	9.761-668.0	Collar air circulation	1	PC
400	9.761-669.0	Elbow	1	PC
410	4.037-013.0	Hook	1	PC
420	9.751-279.0	HP hose elbow DN8 M22x1.5	1	PC
430	9.761-882.0	Plug oil purge M16x1.5	1	PC
440	9.761-007.0	Joint ring G 3/8"	1	PC

POS	Article no.	Description	Quantity	Unit
450	9.751-310.0	Outlet complete EU	1	PC
480	9.751-293.0	Safety valve complete	1	PC
490		Boiler	1	PC
510	6.415-001.0	Nozzle 1,35 60G H	1	PC
520	5.471-097.0	Coupler fuel pump	1	PC
530	9.761-893.0	Fuel pump 12V DC	1	PC
540	6.389-262.0	Union nut A 4-LL	2	PC
550	6.389-263.0	Cutting ring d.4	2	PC
560		Cover pressure boiler complete	1	PC
580	9.751-329.0	Electric box complete HDS EU	1	PC
590	9.751-311.0	Switch box complete	1	PC
620	6.414-413.0	Fuel filter	1	PC
630	9.761-670.0	Hose damping DN13 400mm	1	PC
640	7.311-155.0	Hexagon nut M22x1,5 -Cu2 DIN 936	1	PC
660	9.768-096.0	Power cable +	1	PC
670	9.768-097.0	Power cable -	1	PC
680	9.768-098.0	Battery Lead-acid 12V 40AH	1	PC
690	7.311-510.0	Hexagon nut M 8-8-A2E ISO 7040	11	PC
710	7.306-041.0	Cylinder head screw M8x20 -8.8-A2E ISO	10	PC
720	7.312-004.0	Washer 8 -200HV-A3E ISO 7089	20	PC
730	7.312-159.0	Toothed lock washer A8,4-FSt-PH DIN 6797	1	PC
740	6.622-002.0	Ignition transformer electronic	1	PC
750	4.821-100.0	Ignition cable complete	1	PC
760	9.761-888.0	Cable ignition transformer 3x4 sq.mm	1	PC
790	6.288-050.0	Engine oil 1L	1	PC
800	9.761-674.0	Label warning 4 in 1	1	PC
900	7.306-193.0	Screw M6x16 -A2-70 (In6Rd)	2	PC
920	7.306-199.0	Screw M 6x50-A2-70 (IN6RD)	2	PC
970	5.385-513.0	Label logo glued XL Professional	1	PC
1030	7.303-039.0	Screw M5x16 -St-P2R (In6Rd)	5	PC
1040	7.306-094.0	Screw M6x25 -8.8-R3R (In6Rd)	1	PC
1050	7.306-131.0	Screw M6x45 -8.8-P2R (In6Rd)	4	PC
1060	7.306-090.0	Screw M6x16 -8.8-P2R (In6Rd)	16	PC

## HDS 8/20 De \*EU (1.210-910.0)

POS	Article no.	Description	Quantity	Unit
1070	7.312-003.0	Washer 6 -200HV-A3E ISO 7089	50	PC
1080	7.311-425.0	Hexagon nut M6 -04-A2E DIN 985	17	PC
1100	7.306-112.0	Cylinder head screw M8x50-A2-70 ISO 476	2	PC
1130	5.034-494.0	Retaining bracket	1	PC
1190	7.312-277.0	Washer 8-200HV-A2E ISO7093-1	16	PC
1200	9.761-526.0	Screw plug high-pressure outlet	1	PC
1210	9.768-090.0	O-ring seal 16x2 - vinton 80	1	PC
1230	5.310-076.0	Nut	1	PC
1240	5.443-291.0	Hose stem	1	PC
1250	9.761-049.0	O-Ring seal 19,3x2,4	1	PC
1260	9.761-061.0	Protecting cap 22x1,5	1	PC
1280	9.763-020.0	Handhold operational concept	1	PC
1290	6.313-014.0	Spring element	1	PC
9999		Accessories	1	PC

## 40 Diesel engine LC186F EU (9.768-081.0)

---

<b>POS</b>	<b>Description</b>	<b>Quantity</b>	<b>Unit</b>
10	Crankcase	1	PC
20	Crankcase cover	1	PC
30	Electrical system	1	PC
40	starter	1	PC
50	Air filter	1	PC
60	Silencer	1	PC
70	Fuel system	1	PC





## 10 Crankcase

---

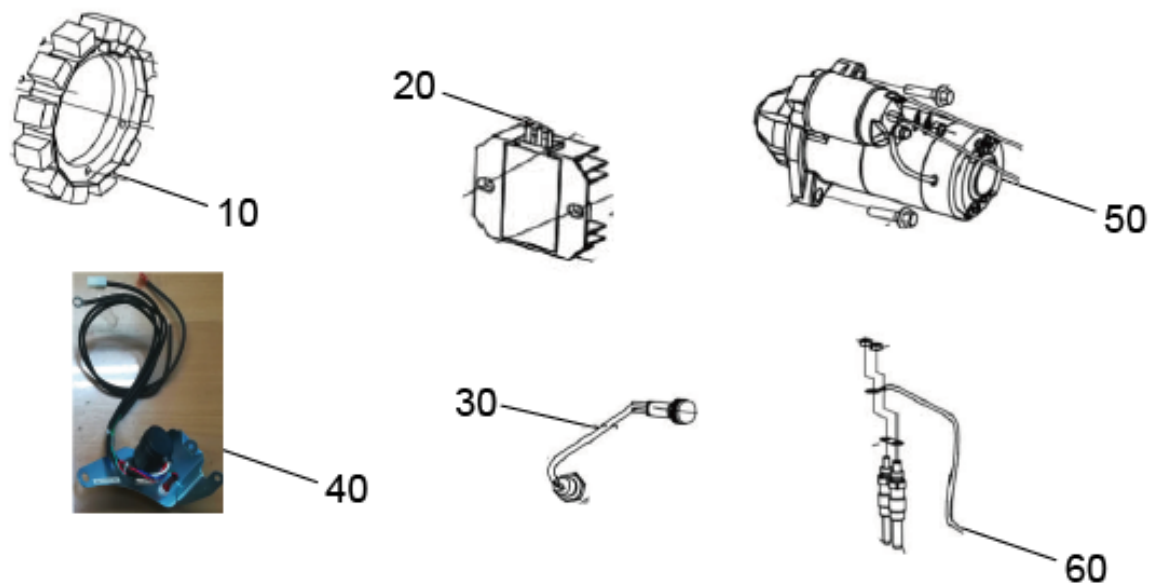
<b>POS</b>	<b>Article no.</b>	<b>Description</b>	<b>Quantity</b>	<b>Unit</b>
10	9.751-336.0	Sealing plug screw assembly	1	PC



20 Crankcase cover

---

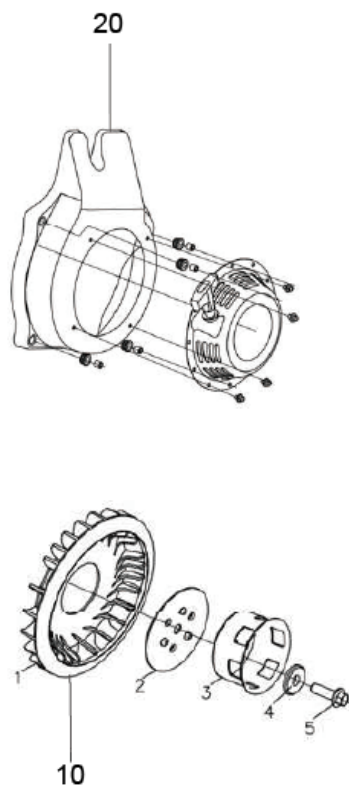
<b>POS</b>	<b>Article no.</b>	<b>Description</b>	<b>Quantity</b>	<b>Unit</b>
10	9.768-228.0	Engine oil strainer	1	PC
20	9.768-237.0	Dipstick combination	1	PC



## 30 Electrical system

---

<b>POS</b>	<b>Article no.</b>	<b>Description</b>	<b>Quantity</b>	<b>Unit</b>
10	9.768-229.0	Charging current regulator components	1	PC
20	9.768-230.0	Rectifier variable voltage	1	PC
30	9.768-231.0	Signal oil level	1	PC
40	9.768-232.0	Control start-up switch	1	PC
50	9.751-337.0	Starter motor complete	1	PC
60	9.751-338.0	Heater units	1	PC

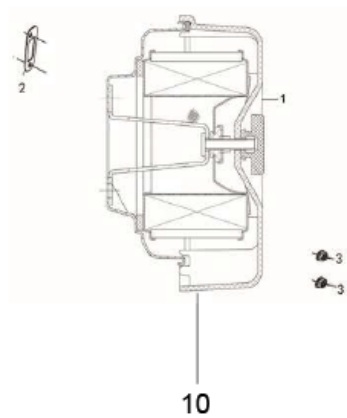


40 starter

---

<b>POS</b>	<b>Article no.</b>	<b>Description</b>	<b>Quantity</b>	<b>Unit</b>
10	9.751-339.0	Impeller complete	1	PC
20	9.751-340.0	Hand Cover Kit	1	PC

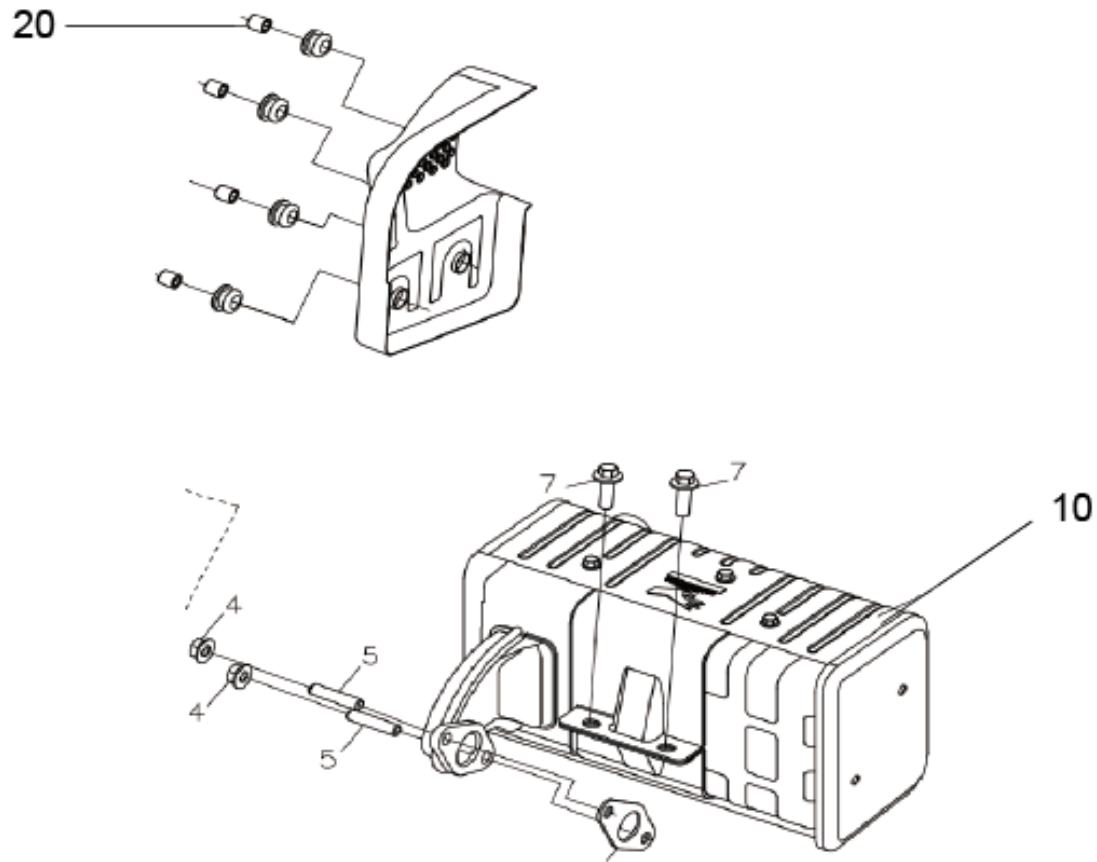




50 Air filter

---

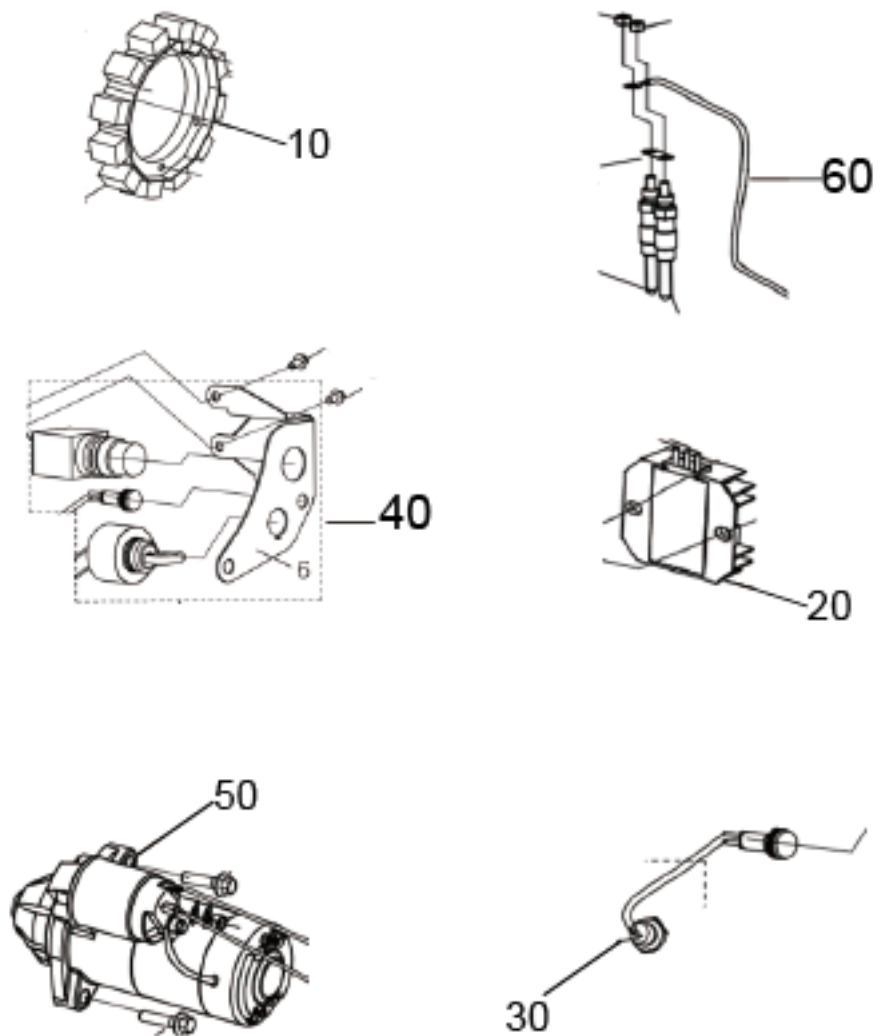
<b>POS</b>	<b>Article no.</b>	<b>Description</b>	<b>Quantity</b>	<b>Unit</b>
10	9.751-341.0	Air filter	1	PC

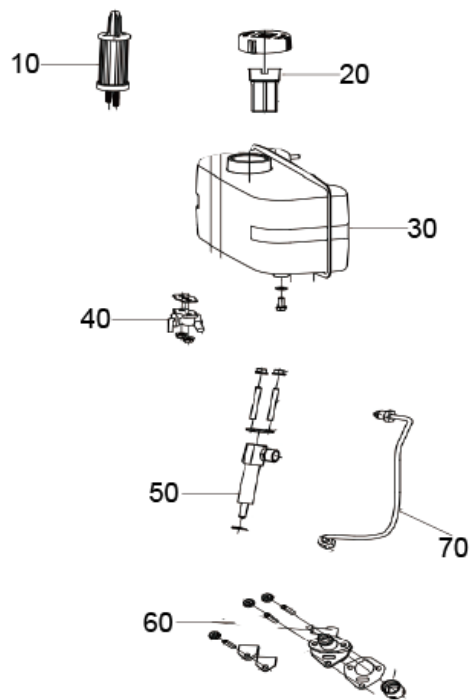


## 60 Silencer

---

<b>POS</b>	<b>Article no.</b>	<b>Description</b>	<b>Quantity</b>	<b>Unit</b>
10	9.751-342.0	Silencer complete	1	PC
20	9.768-233.0	Baffle plate	1	PC

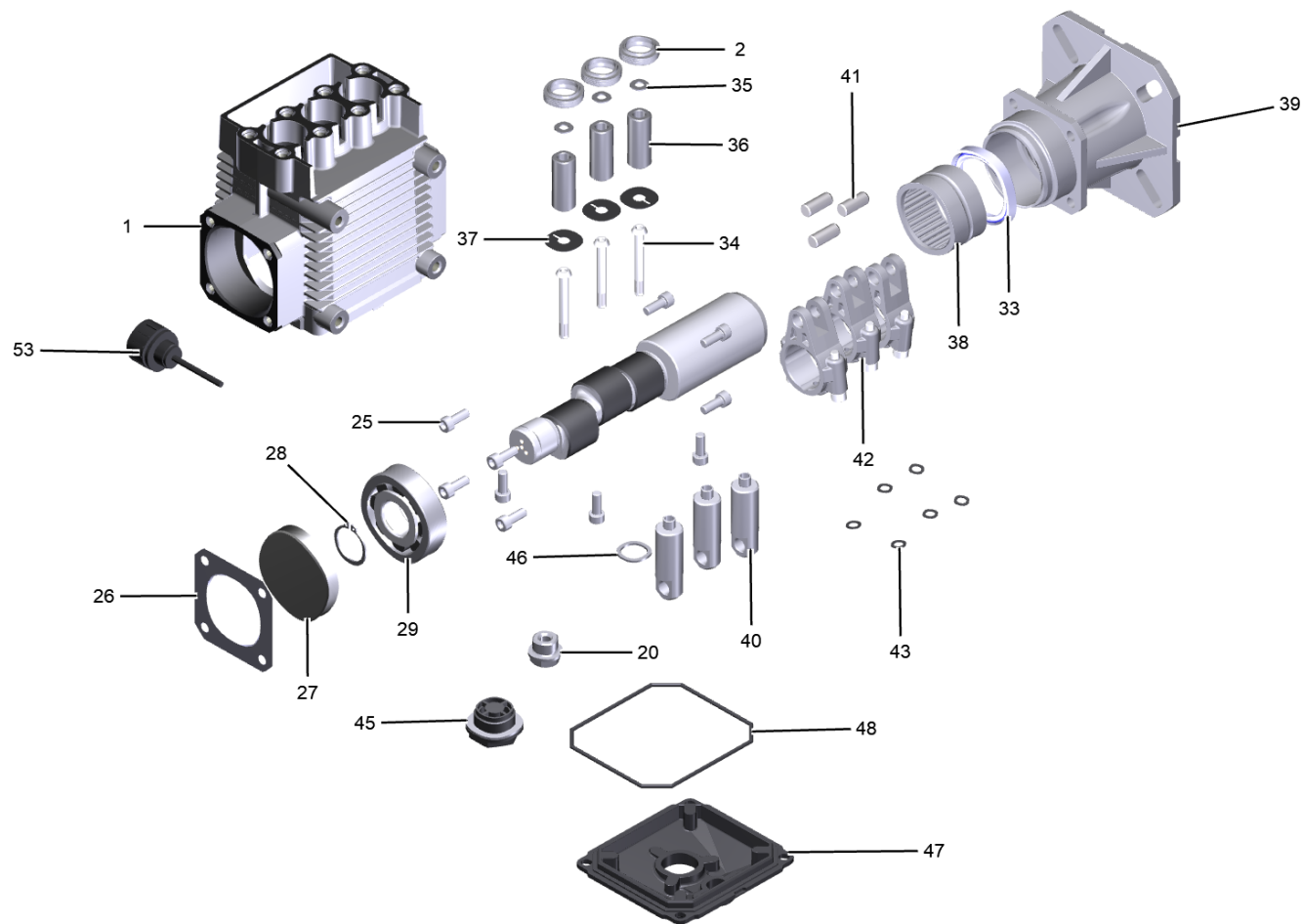




## 70 Fuel system

---

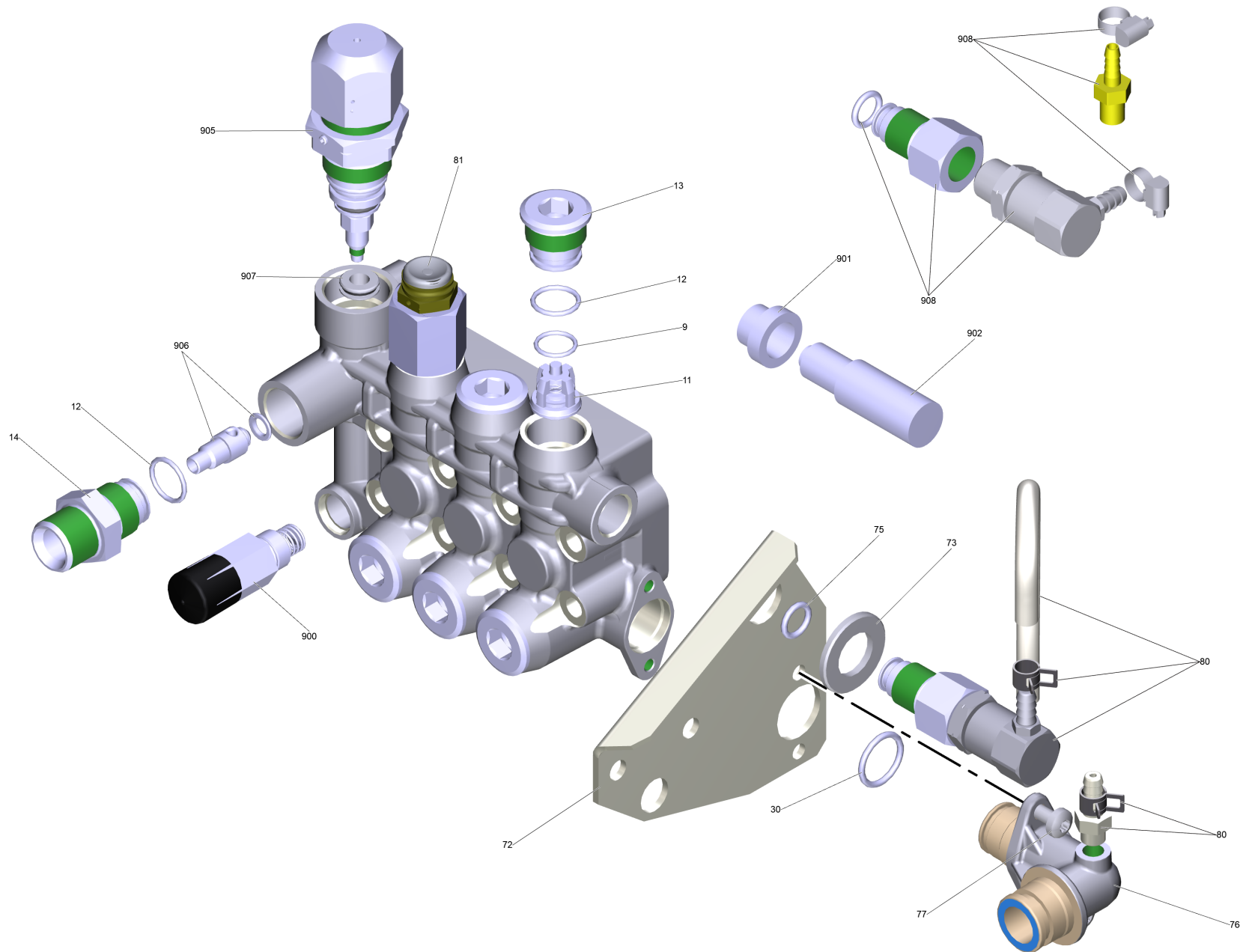
<b>POS</b>	<b>Article no.</b>	<b>Description</b>	<b>Quantity</b>	<b>Unit</b>
10	9.768-234.0	Fuel filter assembly	1	PC
20	9.751-343.0	Tank cover assembly	1	PC
30	9.751-344.0	Tank	1	PC
40	9.751-345.0	Oil switch components	1	PC
50	9.751-346.0	Injector complete	1	PC
60	9.751-347.0	Fuel pump	1	PC
70	9.768-235.0	Oil tube	1	PC

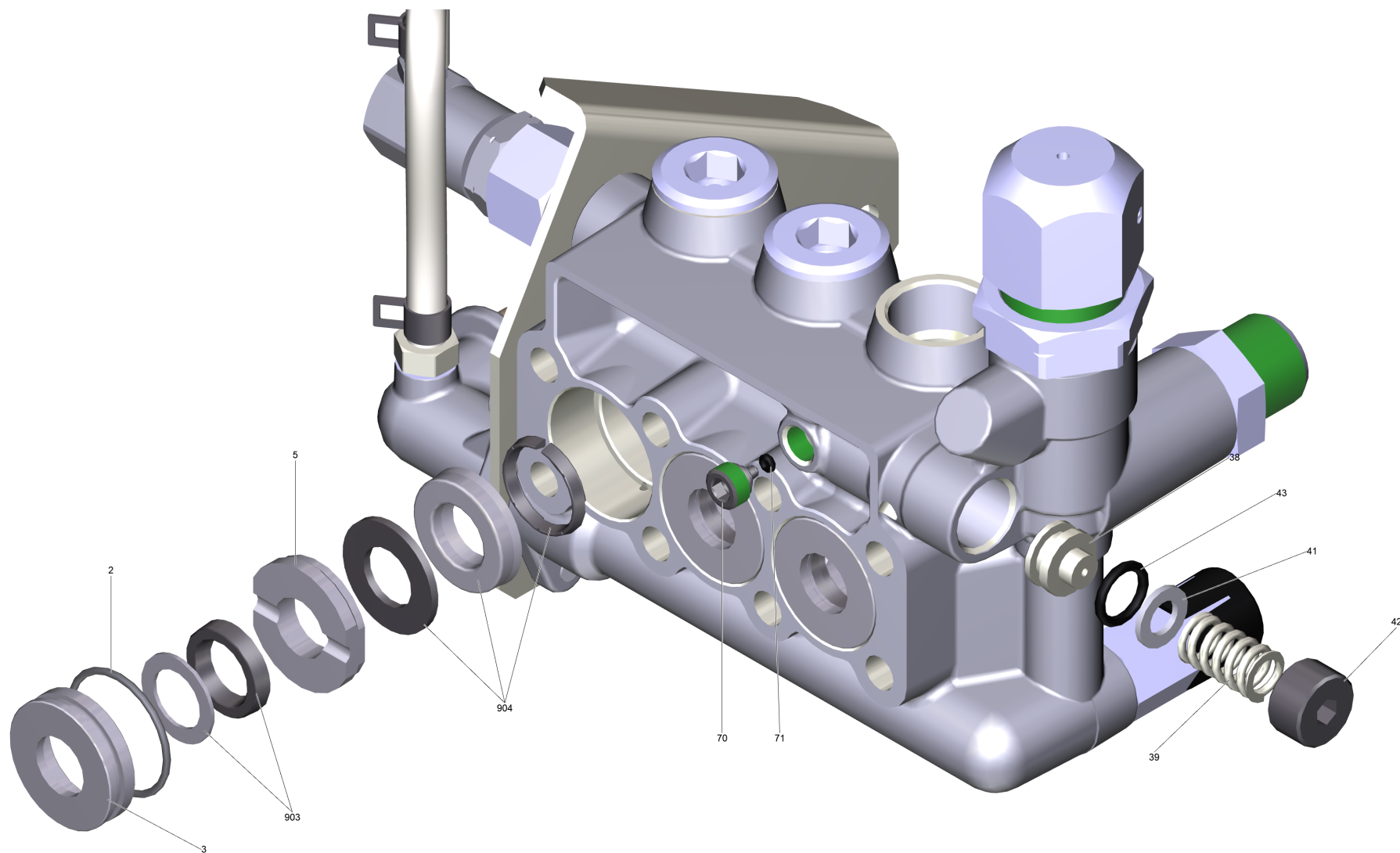




## 80 Pump set (9.751-289.0)

POS	Article no.	Description	Quantity	Unit
1	9.761-278.0	Housing worked	1	PC
2	6.365-334.0	Grooved ring 18X26X6/8	3	PC
20	9.761-057.0	Drain plug G 3/8"	1	PC
25	7.306-272.0	Cylinder head screw M6x16-12.9-A2E ISO	12	PC
26	9.761-073.0	Plate covering cap	1	PC
27	9.761-118.0	Covering cap bearing	1	PC
28	7.343-008.0	Locking ring 25x1,2-St-vz DIN 471	1	PC
29	7.401-353.0	Roller bearing NUP 305-Waelz.St. DIN 541	1	PC
33	9.761-500.0	Joint ring W 42x55x8	1	PC
34	9.761-174.0	Pan head screw with Scotchgrip	3	PC
35	9.761-177.0	Joint ring	3	PC
36	9.761-342.0	Sleeve D 15	3	PC
37	9.761-078.0	Washer D 9.3 x 24	3	PC
38	9.761-138.0	Needle bearing	1	PC
39	9.761-872.0	Flange worked	1	PC
40	9.761-279.0	Connecting rod	3	PC
41	9.761-077.0	Pin	3	PC
42	9.751-008.0	Piston rod complete	3	PC
43	9.761-207.0	Lock washer	6	PC
45	9.761-093.0	Oil inspection glass G3/4"	1	PC
46	9.761-007.0	Joint ring G 3/8"	1	PC
47	9.761-120.0	Cover worked	1	PC
48	9.761-081.0	O-Ring seal D 2.62x107	1	PC
50	9.761-180.0	O-Ring seal D 55.56x3.55	1	PC
53	9.761-022.0	Oil level gauge G 3/8"	1	PC
55	6.288-050.0	Engine oil 1L	1	PC





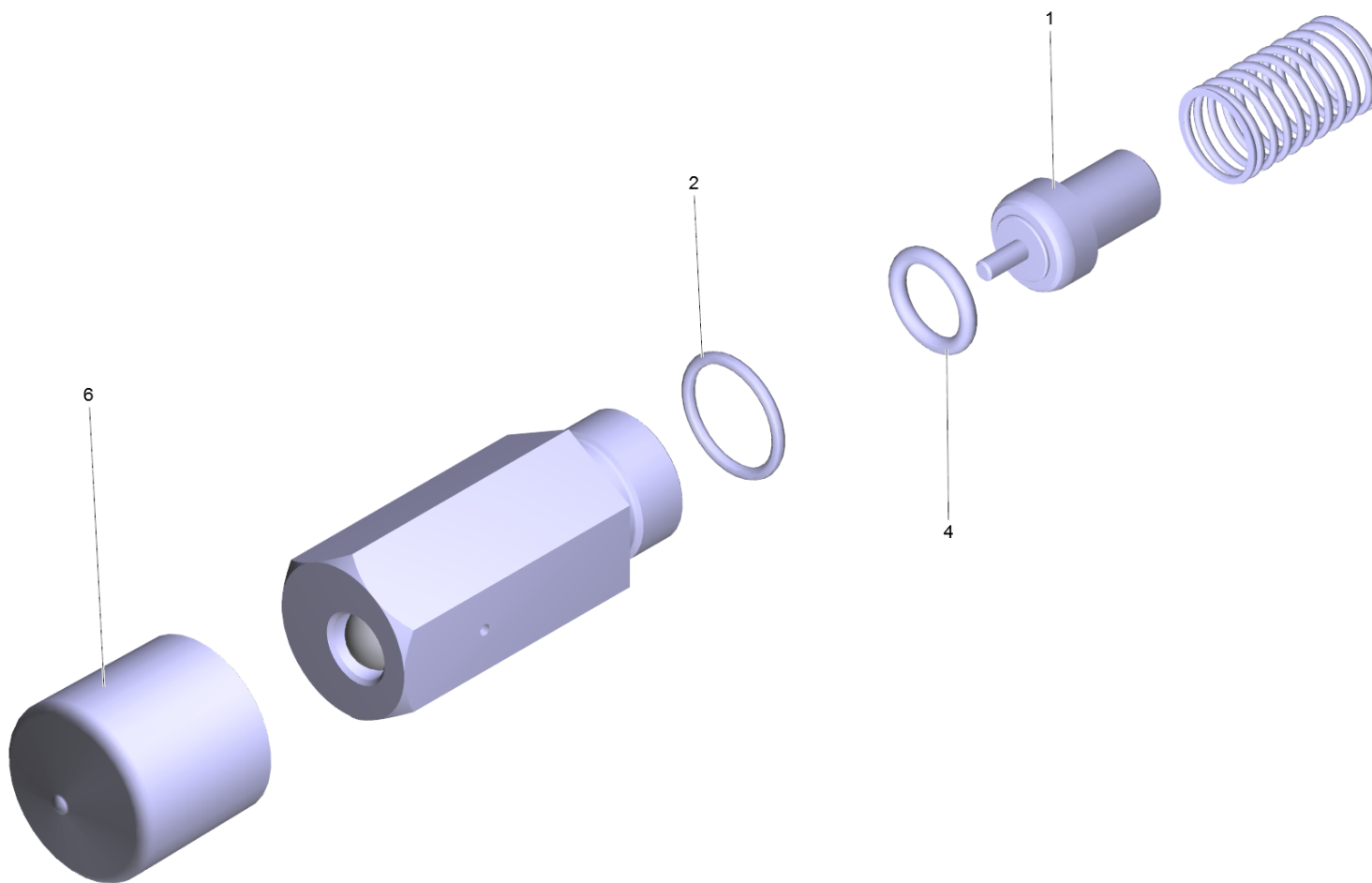
90 Cylinder head complete D15 SV ES (9.751-308.0)

POS	Article no.	Description	Quantity	Unit
2	9.761-107.0	O-Ring seal 28.30 x 1.78	3	PC
3	9.761-339.0	Seat D 15x22	3	PC
5	9.761-340.0	Washer D 15 x 25	3	PC
9	9.761-104.0	O-Ring seal D 15.54x2.62	6	PC
11	9.751-127.0	Valve complete	6	PC
12	9.760-107.0	O-Ring seal 16 x 2 - NBR 80 (9.081-406)	6	PC
13	9.761-319.0	Valve screw inside hexagon M24x1.5	5	PC
14	9.761-526.0	Screw plug high-pressure outlet	1	PC
30	9.761-103.0	O-Ring seal 18.77x1.78	1	PC
38	9.761-146.0	Valve disc 35-50 MPa	1	PC
39	9.761-145.0	Helical spring	1	PC
41	7.312-073.0	Washer 8 -CuZn ISO 7092	1	PC
42	9.761-147.0	Screw plug	1	PC
43	9.761-149.0	O-Ring seal 11.3x2.4 NBR 70	1	PC
70	9.761-409.0	Screw plug M10	1	PC
71	6.363-330.0	O-Ring seal 2,9 x 1,78	1	PC
72	9.761-410.0	Plate holder water filter	1	PC
73	7.312-021.0	Washer 18-200HV-A3E ISO7090	1	PC
74	9.761-411.0	Screw plug high-pressure pipeline	1	PC
75	9.760-007.0	O-Ring seal 10,78 x 2,62 - NBR 80	1	PC
76	9.761-413.0	Angle water connection worked	1	PC
77	7.306-090.0	Screw M6x16 -8.8-P2R (In6Rd)	2	PC
78	7.382-274.0	Screw plug R1/8"-CuZn DIN 909	1	PC
80	9.751-297.0	Kit easy start valve complete	1	PC
81	9.751-288.0	Pressure valve complete	1	PC
900	9.751-138.0	Spare part set thermove valve only for repl	1	PC
901	5.901-023.0	Fitting case D15	1	PC
902	5.901-024.0	Assembly mandril D15	1	PC
903	9.761-449.0	ND seal D15	3	PC
904	9.761-450.0	HD seal D15	3	PC
905	9.751-084.0	Excess-current complete only for replace	1	PC
906	9.751-027.0	Piston complete only for replacement	1	PC
907	9.751-028.0	Valve seat complete only for replacement	1	PC

90 Cylinder head complete D15 SV ES (9.751-308.0)

---

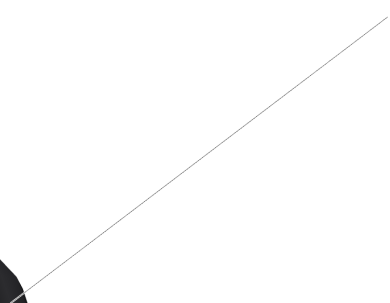
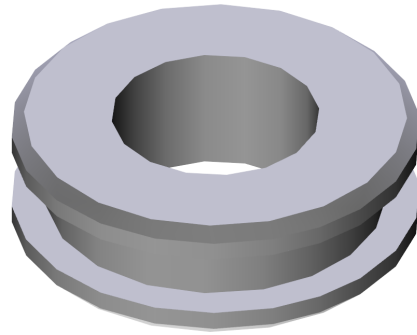
<b>POS</b>	<b>Article no.</b>	<b>Description</b>	<b>Quantity</b>	<b>Unit</b>
908	2.643-831.0	Add-on kit Easy Start HD Classic	1	PC



900 Spare part set thermovalve only for repl (9.751-138.0)

---

<b>POS</b>	<b>Article no.</b>	<b>Description</b>	<b>Quantity</b>	<b>Unit</b>
1	6.413-067.0	Therموالفة	1	PC
2	6.362-533.0	O-Ring seal 14,0 X 1,5-NBR 70	1	PC
4	6.363-614.0	O-Ring seal 9 x 2 -NBR90	1	PC
6	9.761-418.0	Protecting cap M20	1	PC

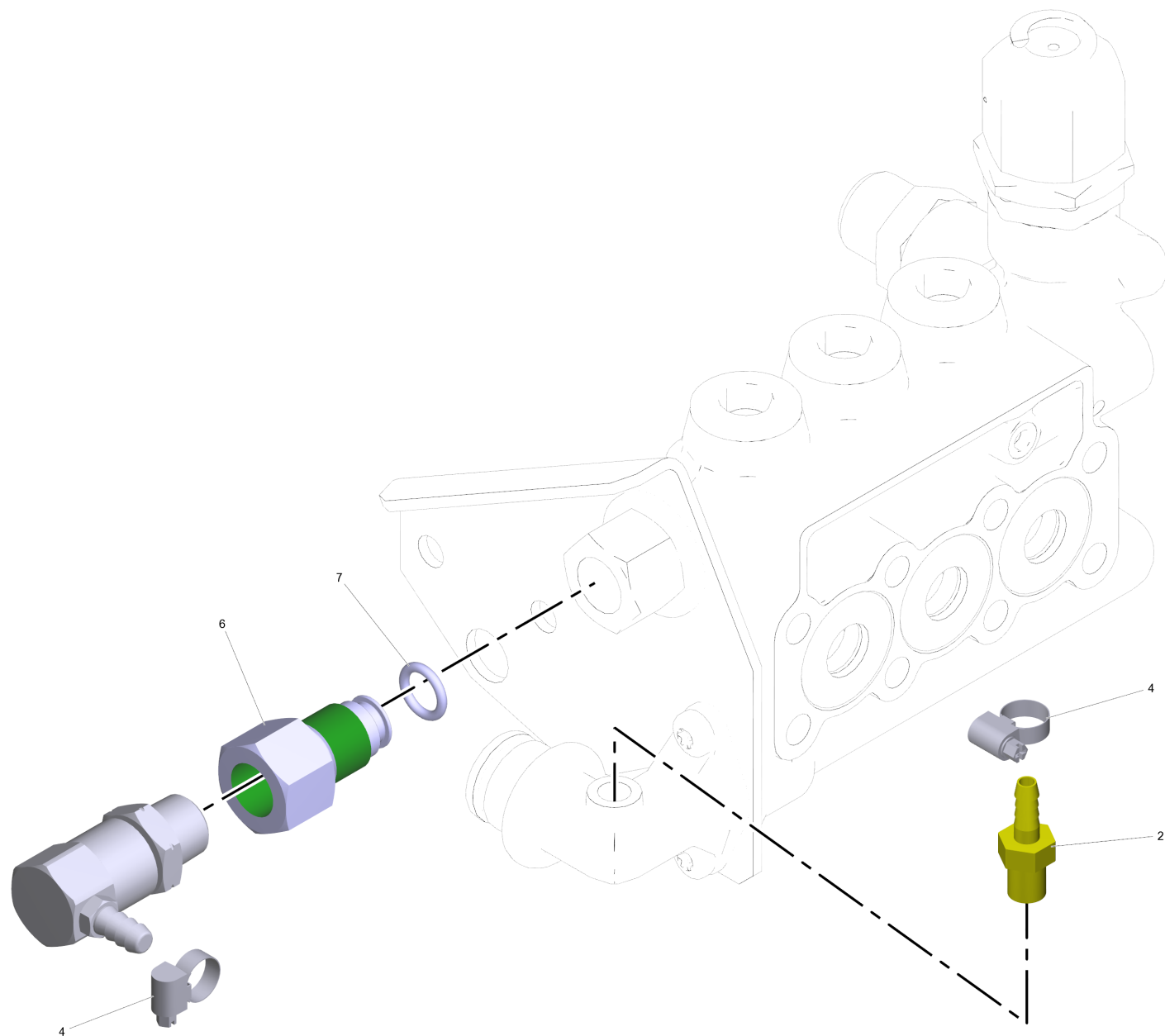




907 Valve seat complete only for replacement (9.751-028.0)

---

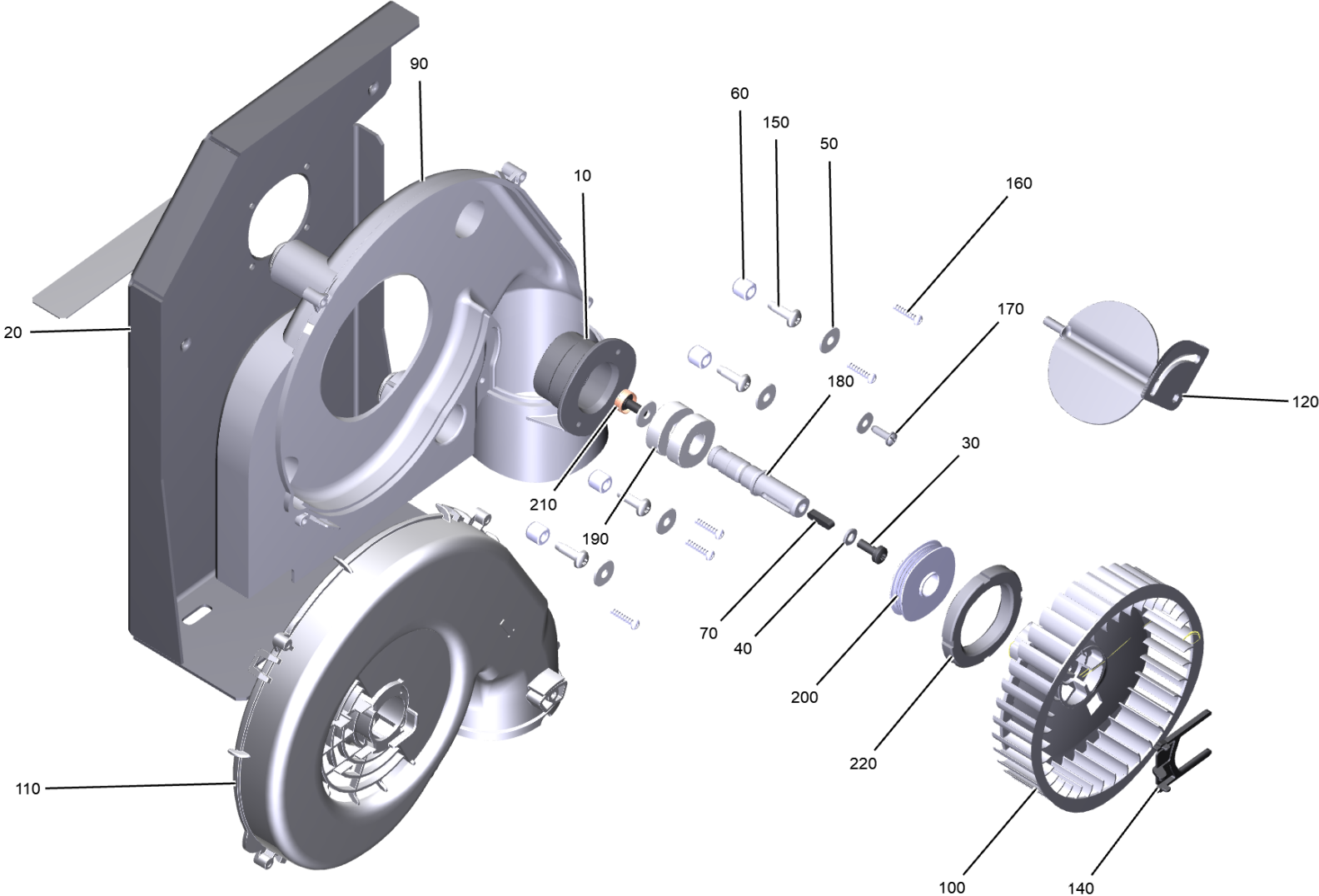
<b>POS</b>	<b>Article no.</b>	<b>Description</b>	<b>Quantity</b>	<b>Unit</b>
1	9.761-099.0	O-Ring seal 12.42x1.78	1	PC



## 908 Add-on kit Easy Start HD Classic (2.643-831.0)

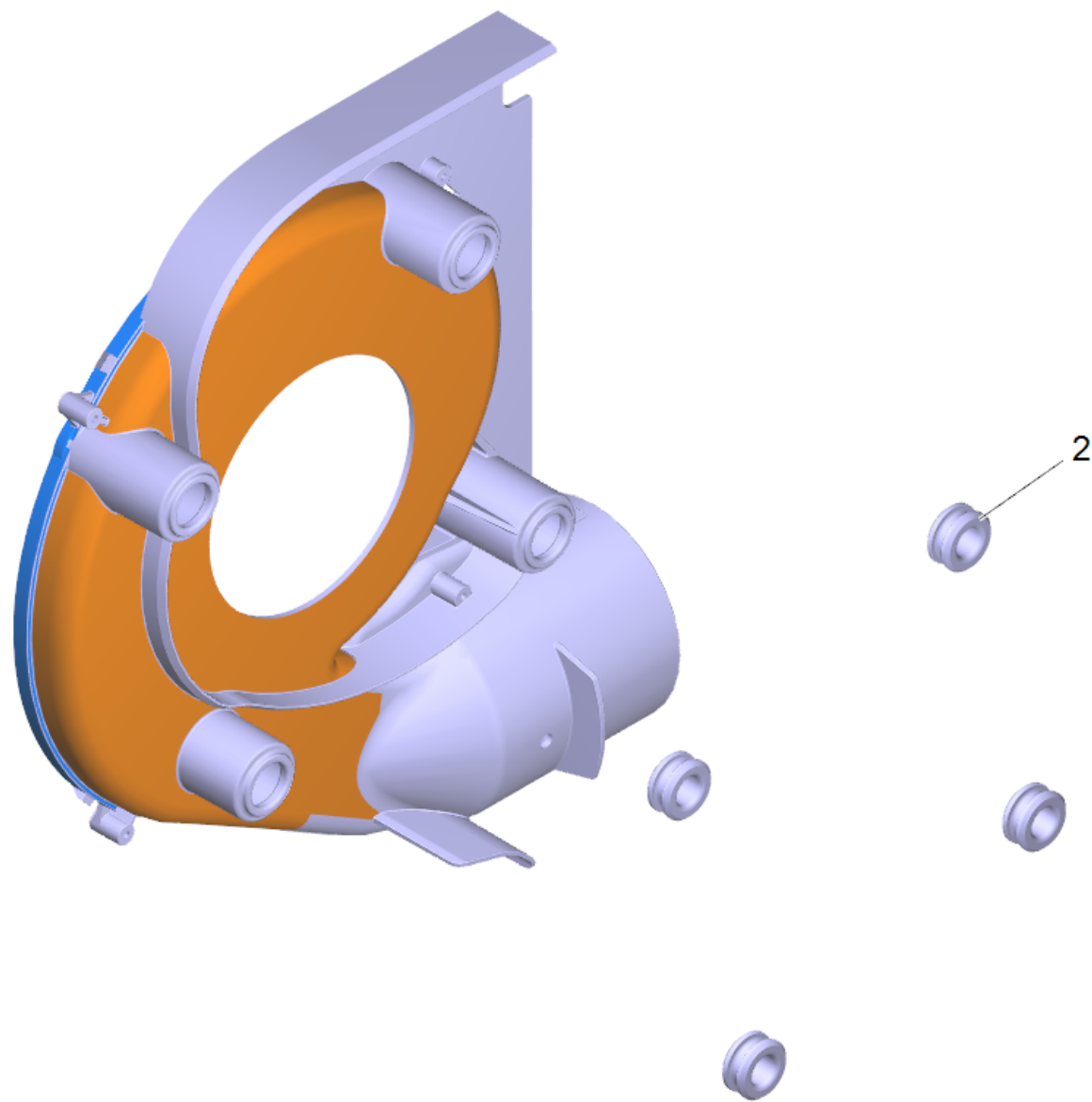
---

<b>POS</b>	<b>Article no.</b>	<b>Description</b>	<b>Quantity</b>	<b>Unit</b>
2	6.390-483.0	Hose stem 1/8"-CuZn DN6	1	PC
3	6.388-958.0	Hose	0,5	m
4	7.373-017.0	Hose clip A-8-12x9 -W4 DIN3017-1	2	PC
6	9.761-542.0	Screw plug high-pressure pipeline	1	PC
7	9.760-007.0	O-Ring seal 10,78 x 2,62 - NBR 80	1	PC



## 100 Blower complete belt drive

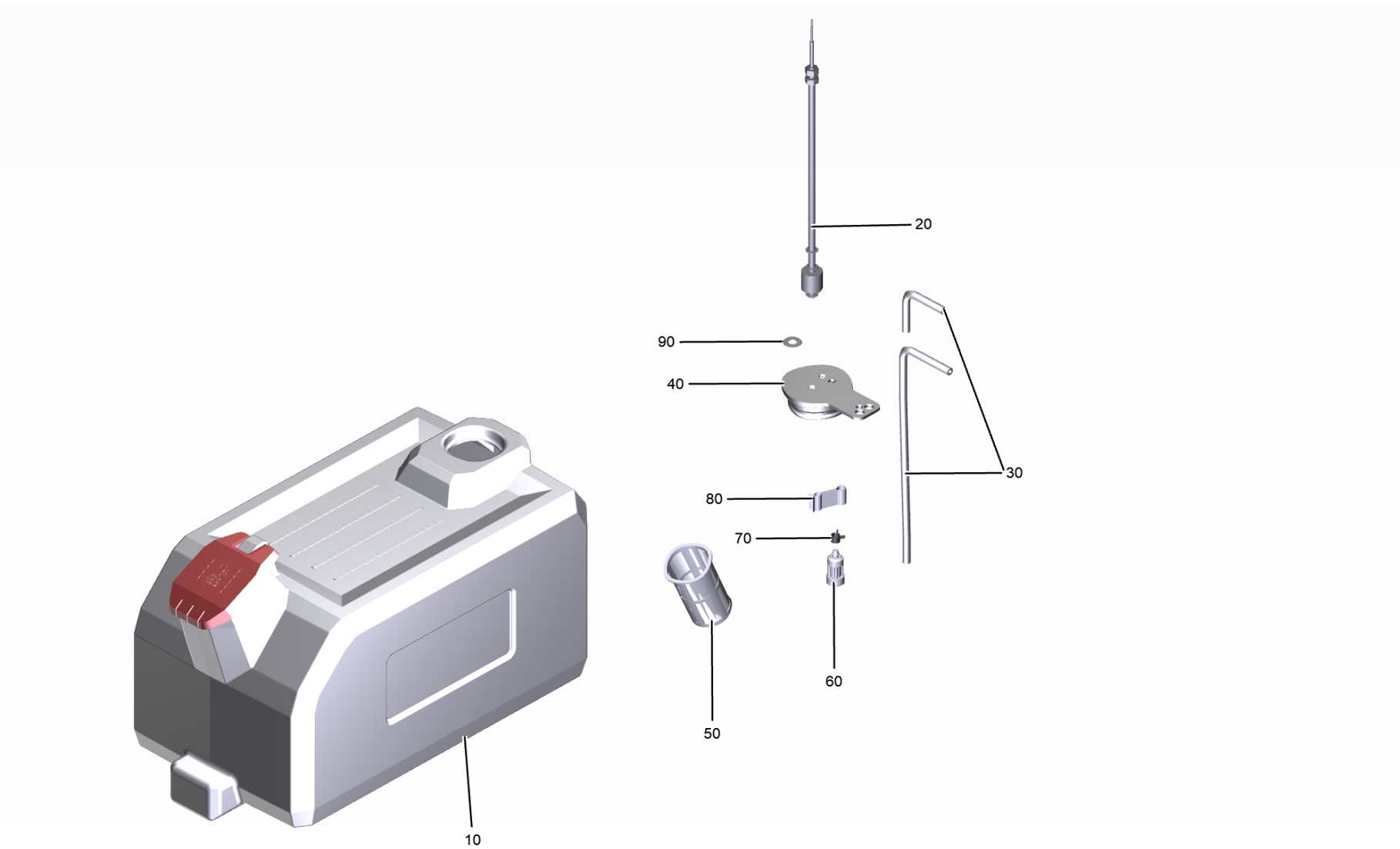
POS	Article no.	Description	Quantity	Unit
10	9.761-874.0	Screw flange blower M50x1.5	1	PC
20	9.751-208.0	Bracket complete blower	1	PC
30	7.306-090.0	Screw M6x16 -8.8-P2R (In6Rd)	2	PC
40	7.312-003.0	Washer 6 -200HV-A3E ISO 7089	1	PC
50	7.312-276.0	Washer 6 -200HV-A2E ISO7093-1	5	PC
60	9.761-737.0	Sleeve plastic	4	PC
70	7.318-070.0	Parallel key 5x5x20-C45K DIN 6885-1	1	PC
80	7.312-282.0	Washer 5 -A2 ISO 7093-1	1	PC
90	4.605-139.0	Housing blower complete	1	PC
100	5.600-100.0	Blower wheel	1	PC
110	5.064-341.0	Cover blower	1	PC
120	5.606-009.0	Air flap	1	PC
140	5.263-099.0	Clamp	1	PC
150	7.303-048.0	Screw M6x20 -St-R3R (In6Rd)	4	PC
160	7.303-084.0	Screw 4x25 -10.9-R2R (K-In6Rd)	5	PC
170	7.303-107.0	Screw 5x16 -10.9-P2R (K-In6Rd)	1	PC
180	9.761-875.0	Shaft blower	1	PC
190	9.087-017.0	BEARING 6202 2RS	2	PC
200	9.761-876.0	Belt pulley 3PJ	1	PC
210	6.343-218.0	Tolerance ring 15x6	1	PC
220	9.761-877.0	Slotted nut M50x1.5	1	PC



90 Housing blower complete (4.605-139.0)

---

POS	Article no.	Description	Quantity	Unit
2	5.379-019.0	Rubber ring	4	PC

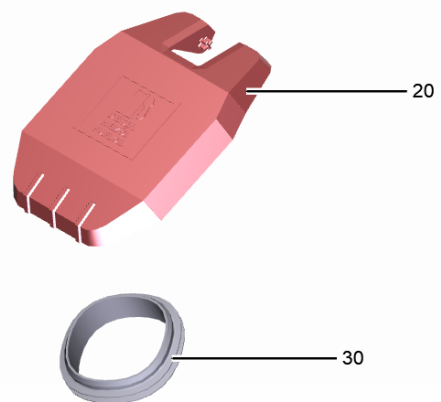


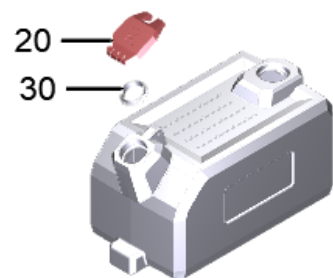


## 110 Fuel tank complete HDS EU (9.751-327.0)

---

<b>POS</b>	<b>Article no.</b>	<b>Description</b>	<b>Quantity</b>	<b>Unit</b>
10	9.751-309.0	Fuel tank sub-assembly HDS EU	1	PC
20	9.768-195.0	Level switch NBR 300mm	1	PC
30	6.389-534.0	Hose	2	m
40	9.761-661.0	Flange rubber	1	PC
50	9.761-659.0	Filter fuel inlet	1	PC
60	9.761-660.0	Filter fuel outlet	1	PC
70	9.761-690.0	Hose clip ID 9	1	PC
80	9.761-662.0	Clip	1	PC
90	7.312-302.0	Spring washer B10-FST-A2E DIN 137	1	PC

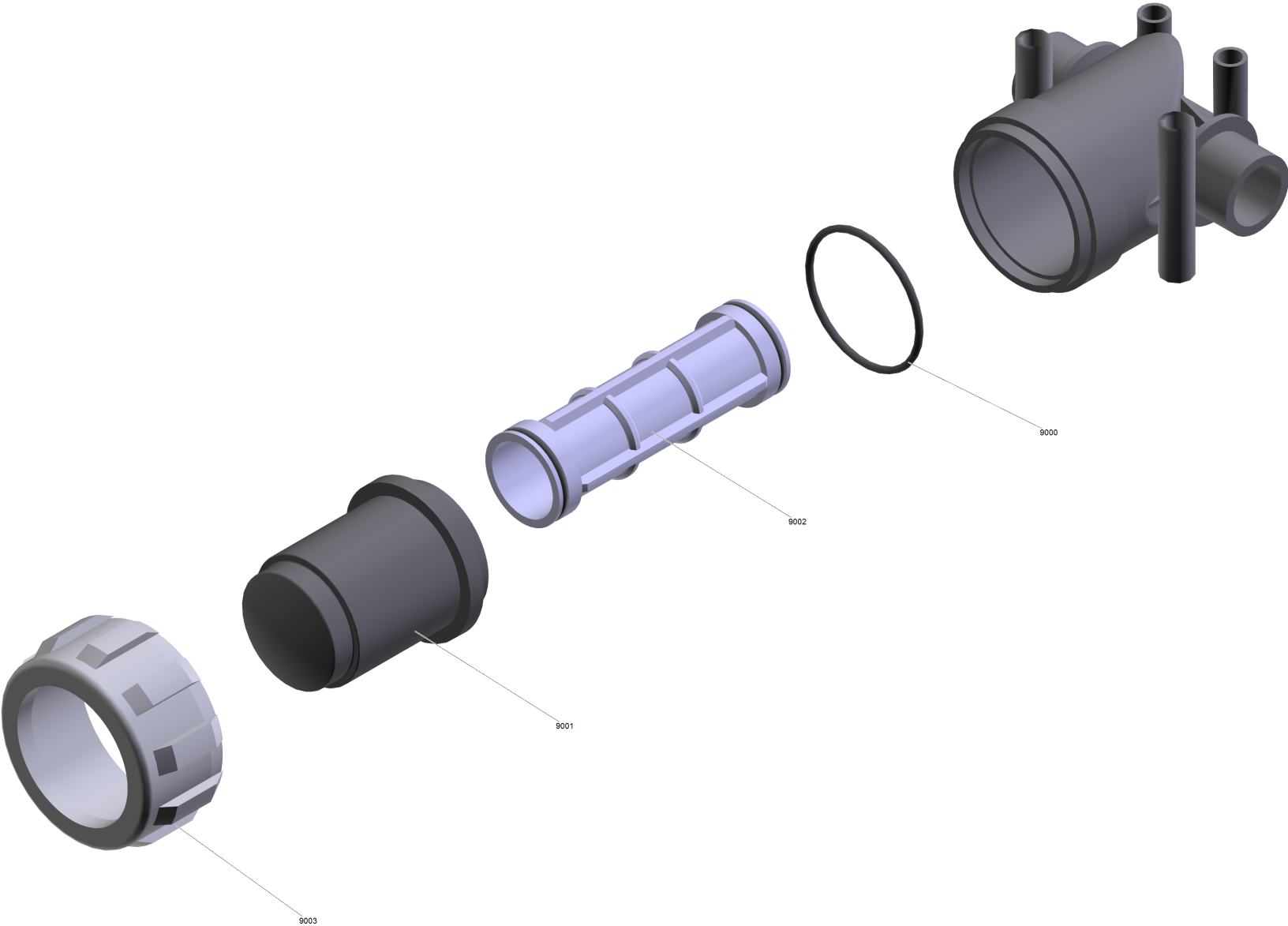




10 Fuel tank sub-assembly HDS EU (9.751-309.0)

---

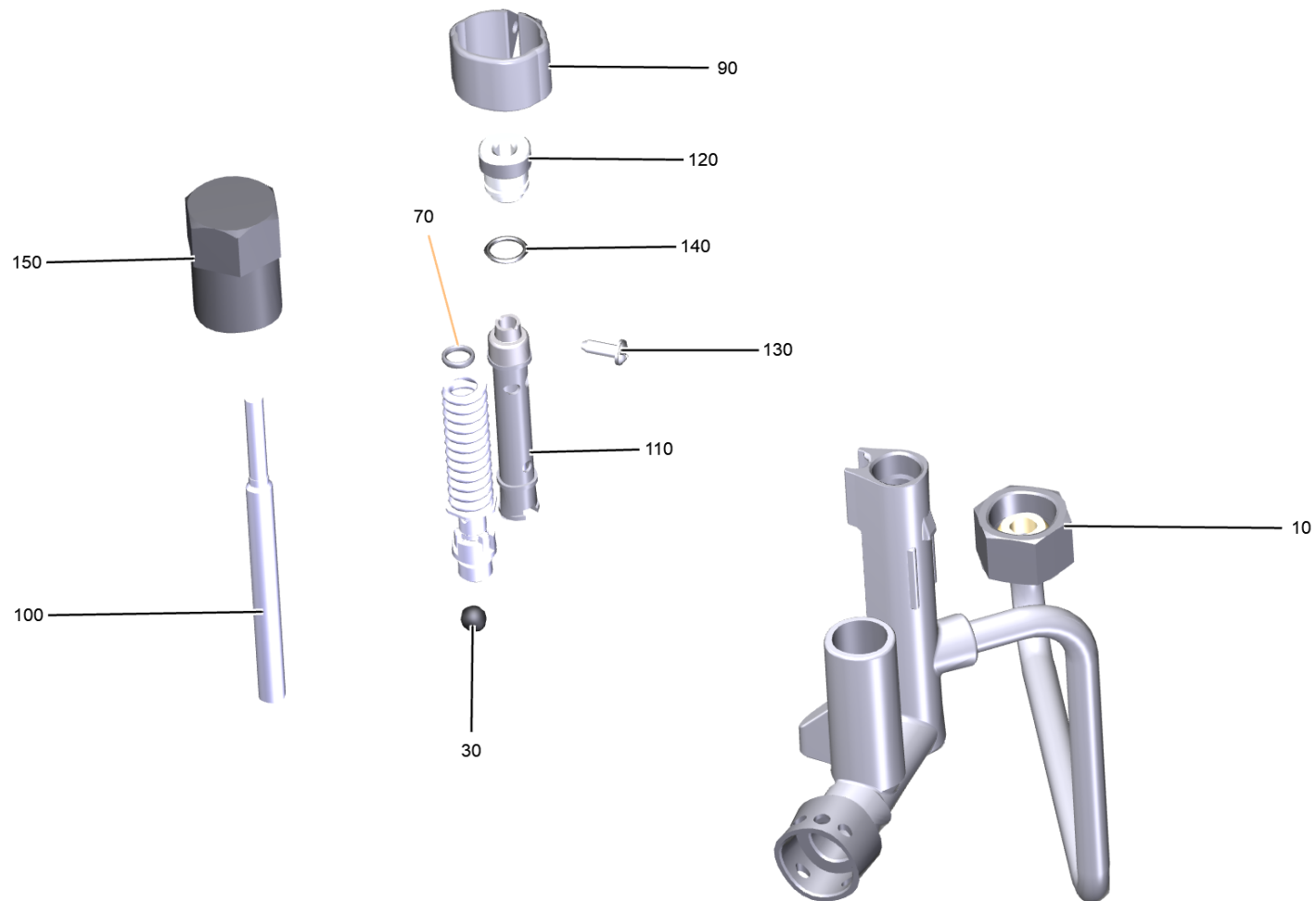
<b>POS</b>	<b>Article no.</b>	<b>Description</b>	<b>Quantity</b>	<b>Unit</b>
20	9.761-658.0	Cap fuel tank	1	PC
30	9.761-736.0	Cap seal	1	PC



## 190 Water filter complete replacement (6.414-041.3)

---

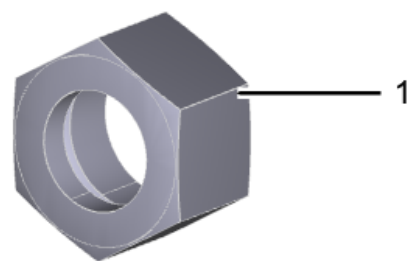
<b>POS</b>	<b>Article no.</b>	<b>Description</b>	<b>Quantity</b>	<b>Unit</b>
9000	6.363-700.0	O-Ring seal 3.53x53.57	1	PC
9001	6.414-051.0	Filter cup for replacement	1	PC
9002	6.414-053.0	Cartridge complete for Ersatz	1	PC
9003	6.385-053.0	Union nut D 84	1	PC



#### 480 Safety valve complete (9.751-293.0)

POS	Article no.	Description	Quantity	Unit
10	9.751-277.0	Manifold complete	1	PC
30	6.401-429.0	Sphere polyamide 8mm	1	PC
70	2.640-729.0	O-Ring seal set	1	PC
90	5.041-076.0	Clamp	1	PC
100	9.761-894.0	Reed switch 1.5m	1	PC
110	4.551-058.0	Cartridge protection against water short	1	PC
120	5.305-162.0	Shaped screw	1	PC
130	7.303-106.0	Screw 4x12 -10.9-R2R (IN6RD)	1	PC
140	6.362-482.0	O-Ring seal 10 x 1,5-NBR 70	1	PC
150	5.304-116.0	Adjusting screw	1	PC

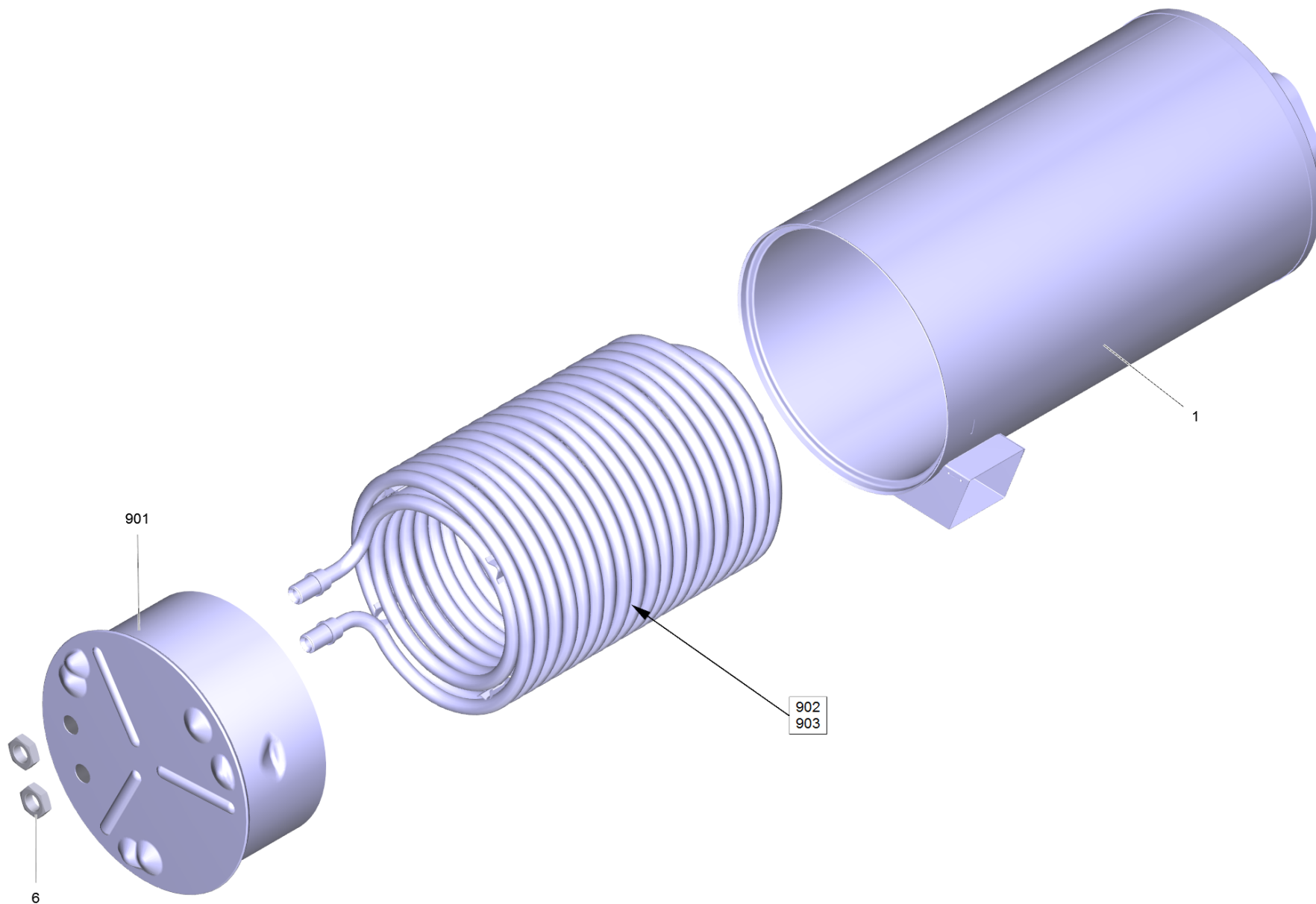




10 Manifold complete (9.751-277.0)

---

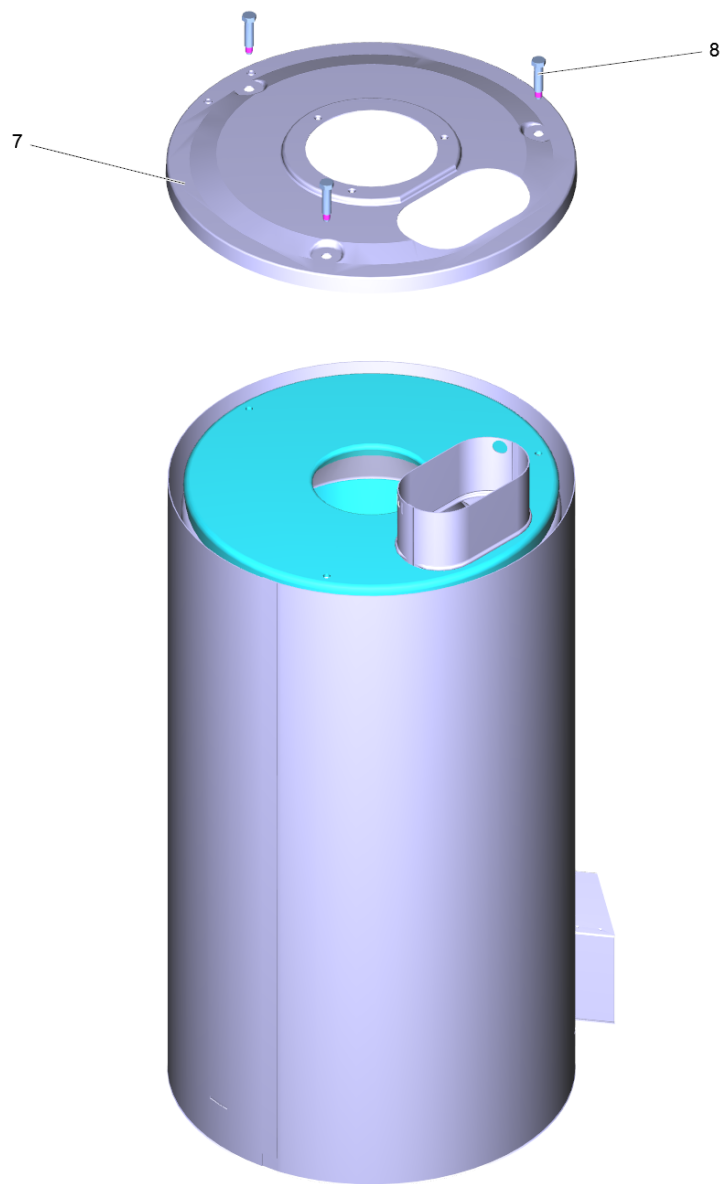
<b>POS</b>	<b>Article no.</b>	<b>Description</b>	<b>Quantity</b>	<b>Unit</b>
1	7.383-113.0	Union nut BLL-15-St-A2K DIN3870	1	PC



## 490 Boiler

---

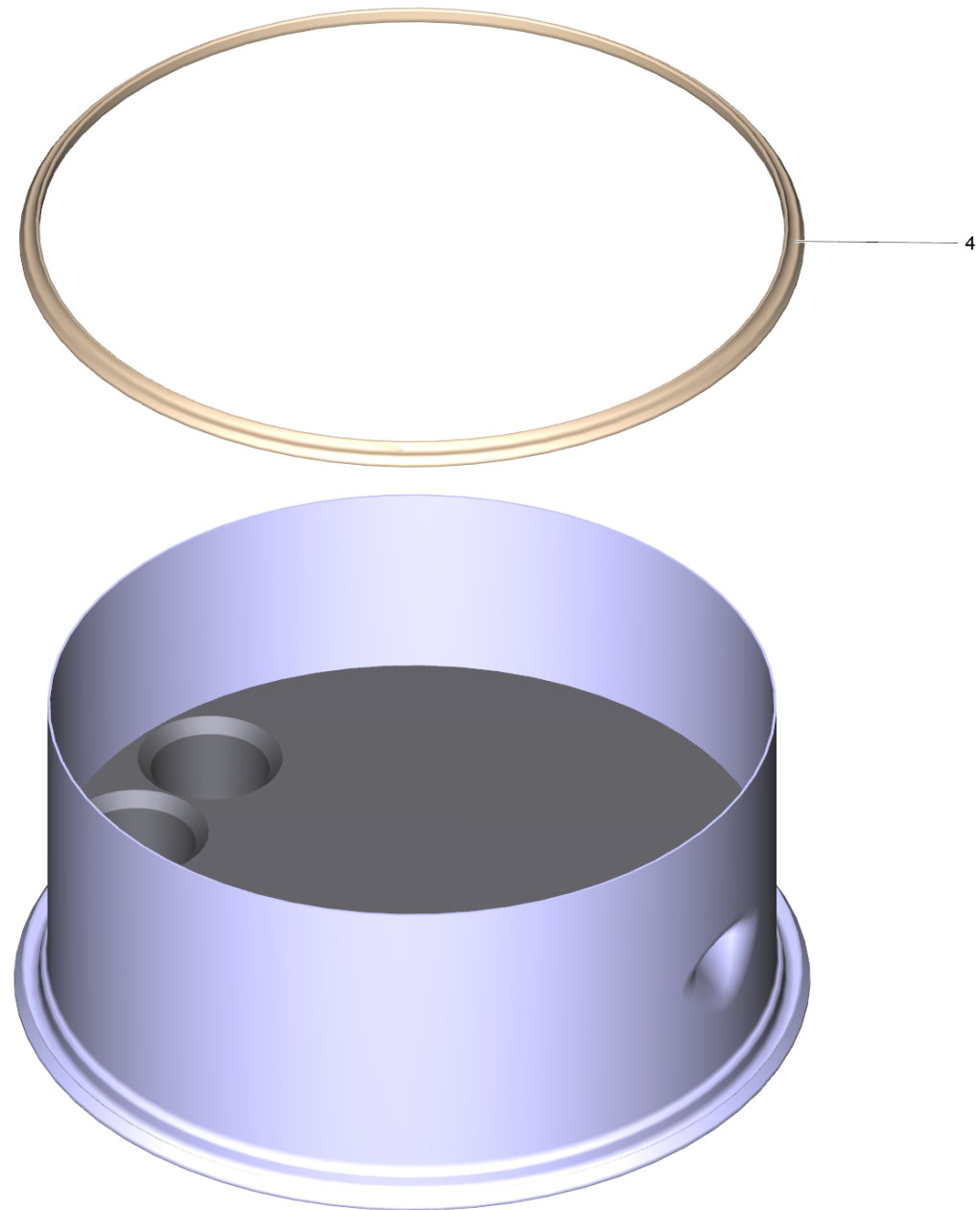
<b>POS</b>	<b>Article no.</b>	<b>Description</b>	<b>Quantity</b>	<b>Unit</b>
1	4.652-157.0	Outer covering complete	1	PC
6	7.311-155.0	Hexagon nut M22x1,5 -Cu2 DIN 936	2	PC
901	4.655-044.0	Bottom pressure boiler	1	PC
902	4.680-114.0	Heating coil VA	1	PC
903	4.680-123.0	Heating coil	1	PC



1 Outer covering complete (4.652-157.0)

---

<b>POS</b>	<b>Article no.</b>	<b>Description</b>	<b>Quantity</b>	<b>Unit</b>
7	5.654-051.0	Cover pressure boiler	1	PC
8	6.303-258.0	Self-tapping screw	3	PC

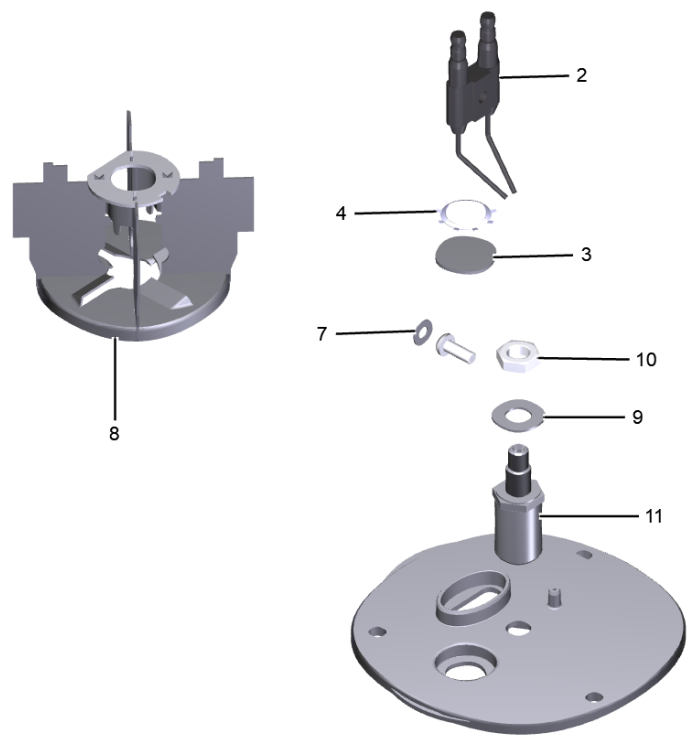


901 Bottom pressure boiler (4.655-044.0)

---

<b>POS</b>	<b>Article no.</b>	<b>Description</b>	<b>Quantity</b>	<b>Unit</b>
4	6.366-009.0	Seal string	1	PC
6		Quick-bonding agent	0,004	ZST

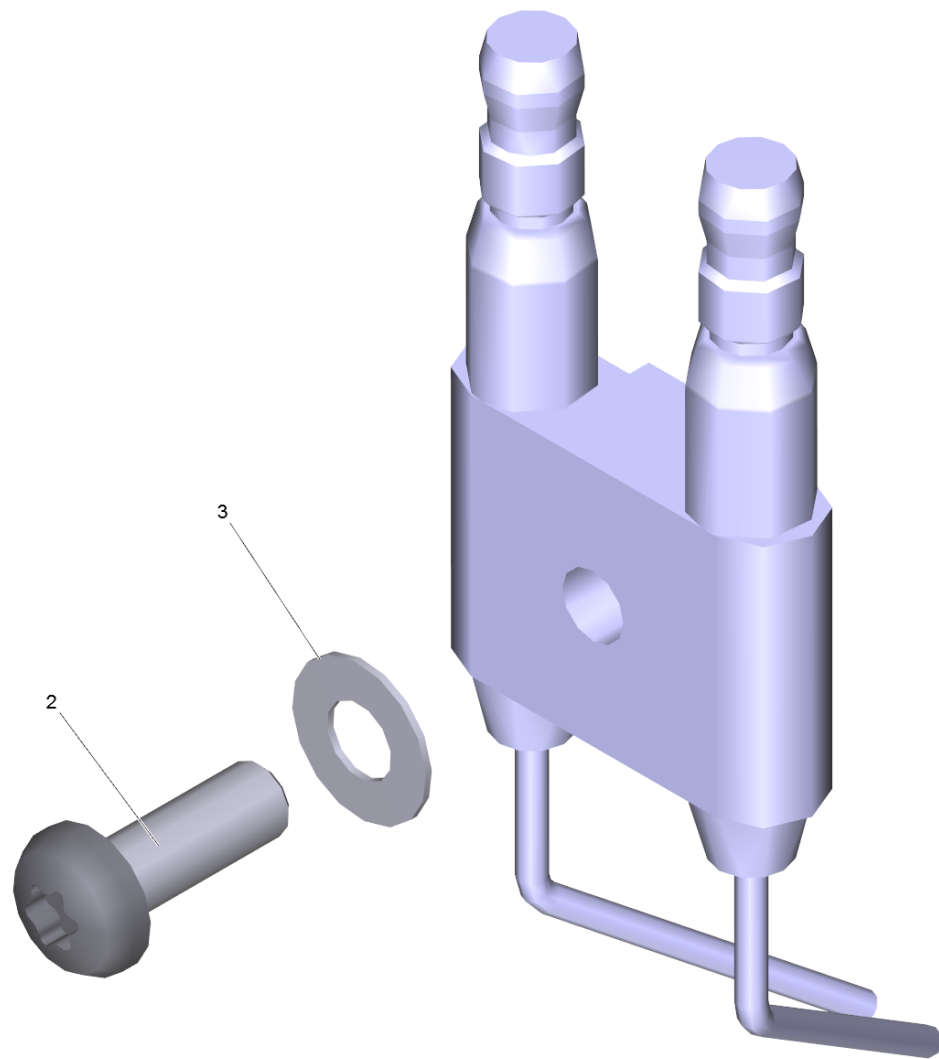




## 560 Cover pressure boiler complete

---

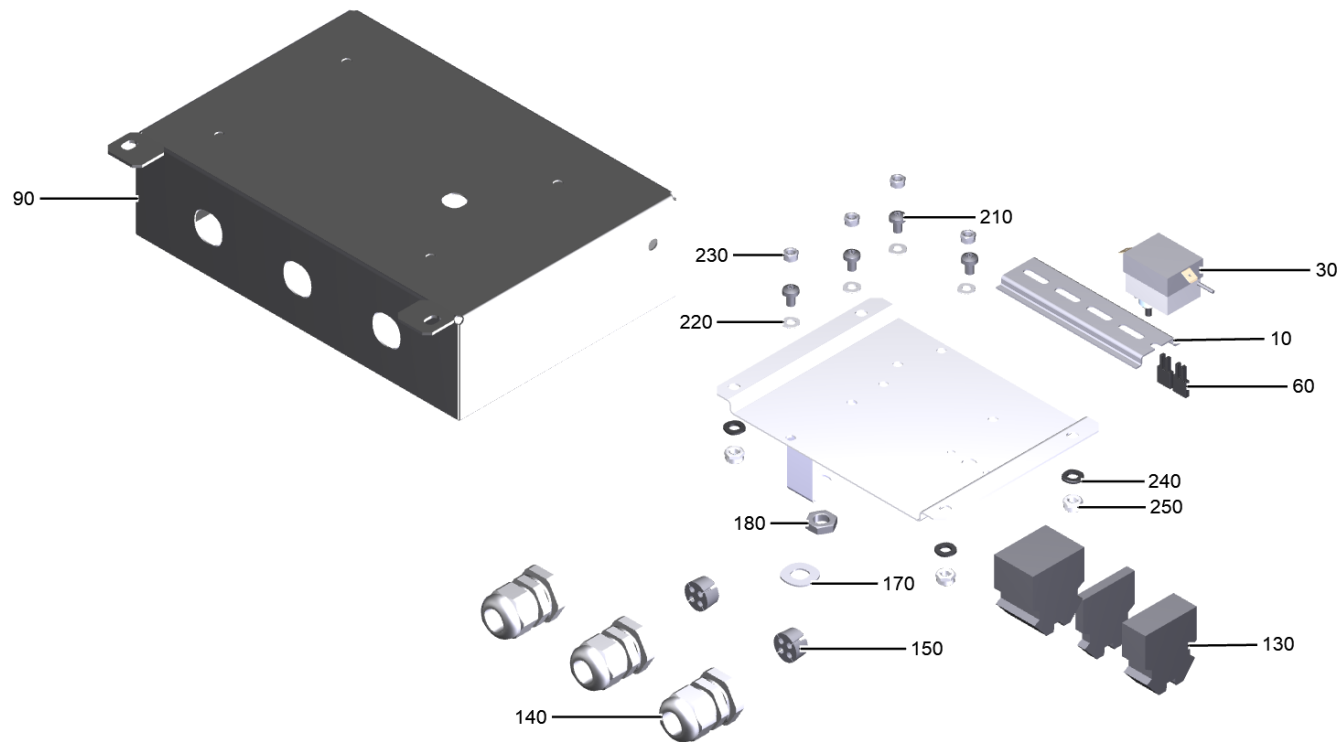
<b>POS</b>	<b>Article no.</b>	<b>Description</b>	<b>Quantity</b>	<b>Unit</b>
1	5.662-022.0	Burner cover	1	PC
2	2.638-974.0	Conversion kit ignition electrode	1	PC
3	6.278-018.0	Glass pane	1	PC
4	6.343-165.0	Serrated ring	1	PC
6	7.306-217.0	Screw M5x14 -8.8-R2R (In6Rd)	1	PC
7	7.312-304.0	Spring washer B 5-FST-A2E DIN 137	1	PC
8	4.663-073.0	Baffle plate complete	1	PC
9	7.312-302.0	Spring washer B10-FST-A2E DIN 137	1	PC
10	7.311-101.0	Hexagon nut M10x1 -04-A2E ISO 8675	1	PC
11	5.667-055.0	Nozzle holder	1	PC



## 2 Conversion kit ignition electrode (2.638-974.0)

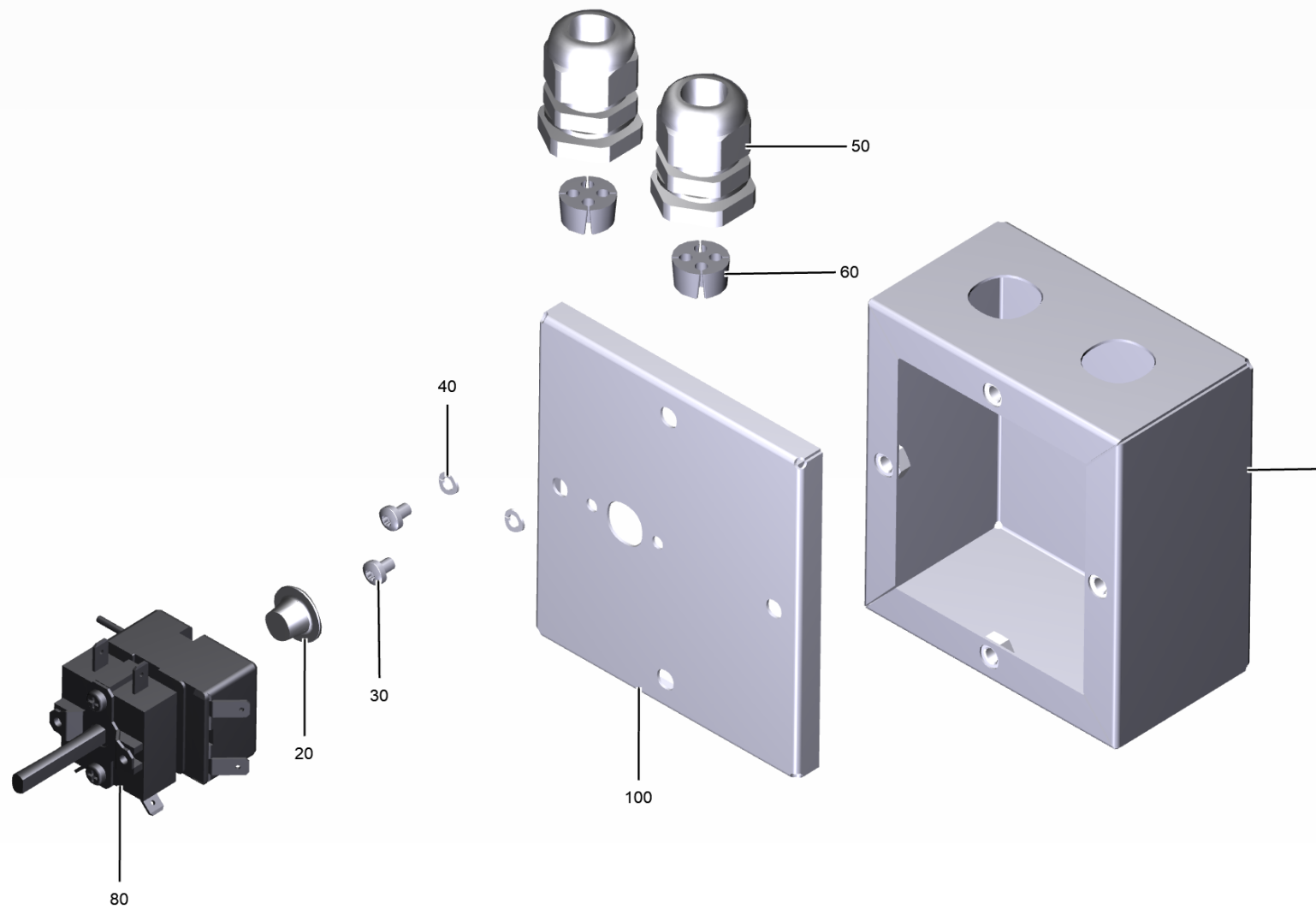
---

POS	Article no.	Description	Quantity	Unit
2	7.306-217.0	Screw M5x14 -8.8-R2R (In6Rd)	1	PC
3	7.312-304.0	Spring washer B 5-FST-A2E DIN 137	1	PC



## 580 Electric box complete HDS EU (9.751-329.0)

POS	Article no.	Description	Quantity	Unit
10	9.768-037.0	Mounting rail TS-35 L=110mm	1	PC
30	9.761-683.0	Temperature limiter 230°C	1	PC
60	9.761-897.0	Plug-in bridge DSS4N-02P	2	PC
90	9.751-280.0	Housing electric box complete	1	PC
110	9.761-896.0	Terminal block DK4N-PE	1	PC
130	9.761-895.0	Terminal block DK4N	8	PC
140	9.761-746.0	Cable gland black M22X1,5	3	PC
150	9.761-688.0	Seal rubber	2	PC
160	9.751-232.0	Cable black with sleeve 1,5x300mm	1	PC
170	7.312-302.0	Spring washer B10-FST-A2E DIN 137	1	PC
180	7.311-101.0	Hexagon nut M10x1 -04-A2E ISO 8675	1	PC
210	7.306-067.0	Screw M 5x8-ST- 8.8-ZNBHL (IN6RD)	4	PC
220	7.312-002.0	Washer 5-200HV-A3E ISO 7089	4	PC
230	7.311-421.0	Hexagon nut M 5-04-A2E DIN 985	4	PC
240	7.312-003.0	Washer 6 -200HV-A3E ISO 7089	4	PC
250	7.311-425.0	Hexagon nut M6 -04-A2E DIN 985	4	PC
260	9.751-287.0	Switch complete N.O	1	PC



## 590 Switch box complete (9.751-311.0)

---

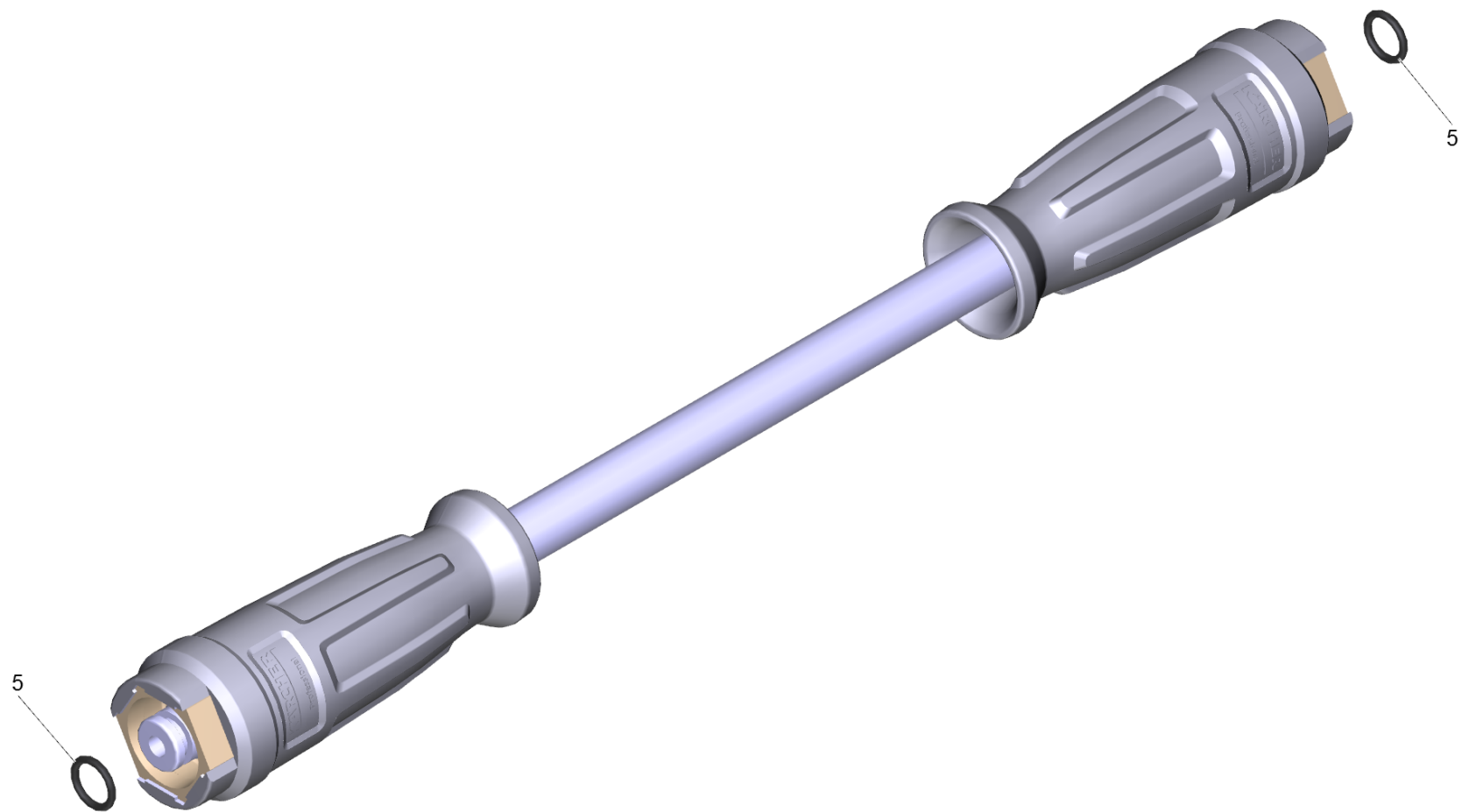
<b>POS</b>	<b>Article no.</b>	<b>Description</b>	<b>Quantity</b>	<b>Unit</b>
10	9.768-092.0	Thermostat adjustable with switch 80	1	PC
20	9.768-138.0	Seal rubber switch box	1	PC
30	7.306-236.0	Screw M4x6 -8.8 (In6Rd)	2	PC
40	7.313-017.0	Spring washer B 4-1.4310 DIN 127	2	PC
50	9.761-746.0	Cable gland black M22X1,5	2	PC
60	9.761-688.0	Seal rubber	2	PC
90	9.751-335.0	Housing switch box complete	1	PC
100	9.768-094.0	Cover switch box	1	PC
120	9.768-191.0	Cable complete	1	PC



## 9999 Accessories

---

<b>POS</b>	<b>Article no.</b>	<b>Description</b>	<b>Quantity</b>	<b>Unit</b>
840	6.110-019.0	Hose assembly TR DN8 31.5MPa 10	1	PC
850	4.118-005.0	EASY!Force Advanced	1	PC
860	5.394-123.0	Protection part nozzle TR	1	PC
870	2.113-022.0	Power nozzle TR 25045	1	PC
880	4.112-006.0	Jet pipe TR 840 mm	1	PC

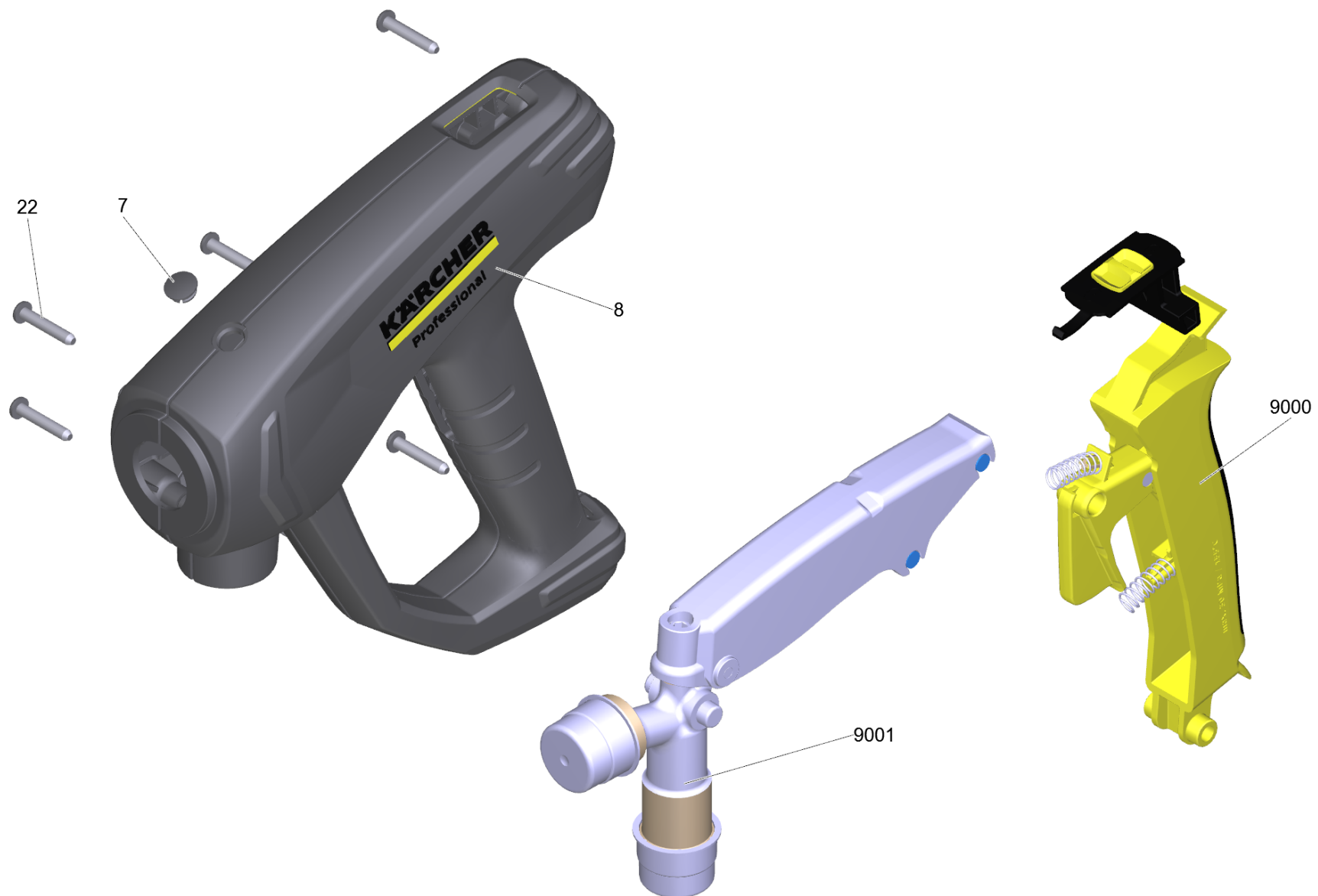


840 Hose assembly TR DN8 31.5MPa 10 (6.110-019.0)

---

<b>POS</b>	<b>Article no.</b>	<b>Description</b>	<b>Quantity</b>	<b>Unit</b>
5	2.880-154.0	O-Ring kit	1	PC

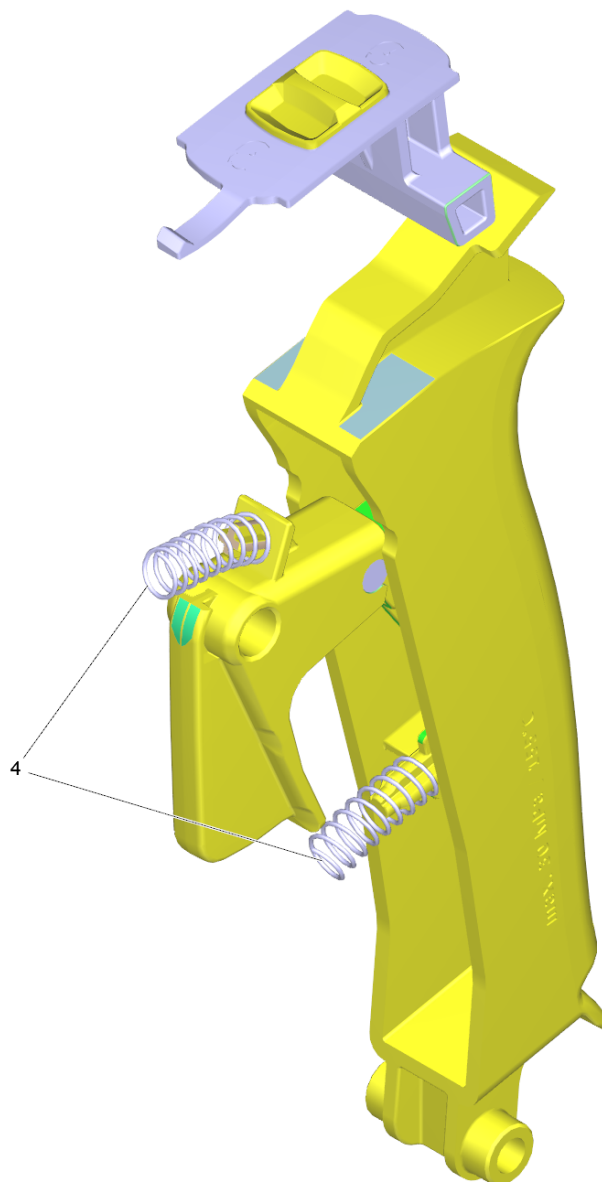
---



850 EASY!Force Advanced (4.118-005.0)

---

<b>POS</b>	<b>Article no.</b>	<b>Description</b>	<b>Quantity</b>	<b>Unit</b>
7	5.132-001.0	Plug	1	PC
8	5.321-136.3	Handhold few EH 155 only for replacement	1	PC
22	7.303-096.0	Screw 4x22-ST-10.9-R2R (IN6RD)	7	PC
9000	2.885-483.0	Spare part set lever	1	PC
9001	4.427-014.0	Manifold TR EH 155 nur fuer Ersatz	1	PC



9000 Spare part set lever (2.885-483.0)

---

<b>POS</b>	<b>Article no.</b>	<b>Description</b>	<b>Quantity</b>	<b>Unit</b>
4	5.332-178.0	Helical spring	2	PC

---

860 Protection part nozzle TR (5.394-123.0)

---

POS	Article no.	Description	Quantity	Unit
1	5.645-973.0	Union nut TR nozzle	1	PC

---



## 1 Union nut TR nozzle (5.645-973.0)

---

POS	Description	Quantity	Unit	Foot note text
0	Specification female thread D=20 L=8,7	1	PC	
0	Specification female thread D=20 L=8,7	1	PC	
0	Specification female thread D=20 L=8,7	1	PC	
1	HEX 24-CW612N-R410 EN12164	1	m	TO ORDER AS CUT GOODS
1	HEX 24-CW612N-R410 EN12164	1	m	TO ORDER AS CUT GOODS
1	HEX 24-CW612N-R410 EN12164	1	m	TO ORDER AS CUT GOODS

Specification female thread D=20 L=8,7

---

<b>POS</b>	<b>Description</b>	<b>Quantity</b>	<b>Unit</b>
10	Threat and cone test device female threa	1	PC
10	Threat and cone test device female threa	1	PC
10	Threat and cone test device female threa	1	PC

Specification female thread D=20 L=8,7

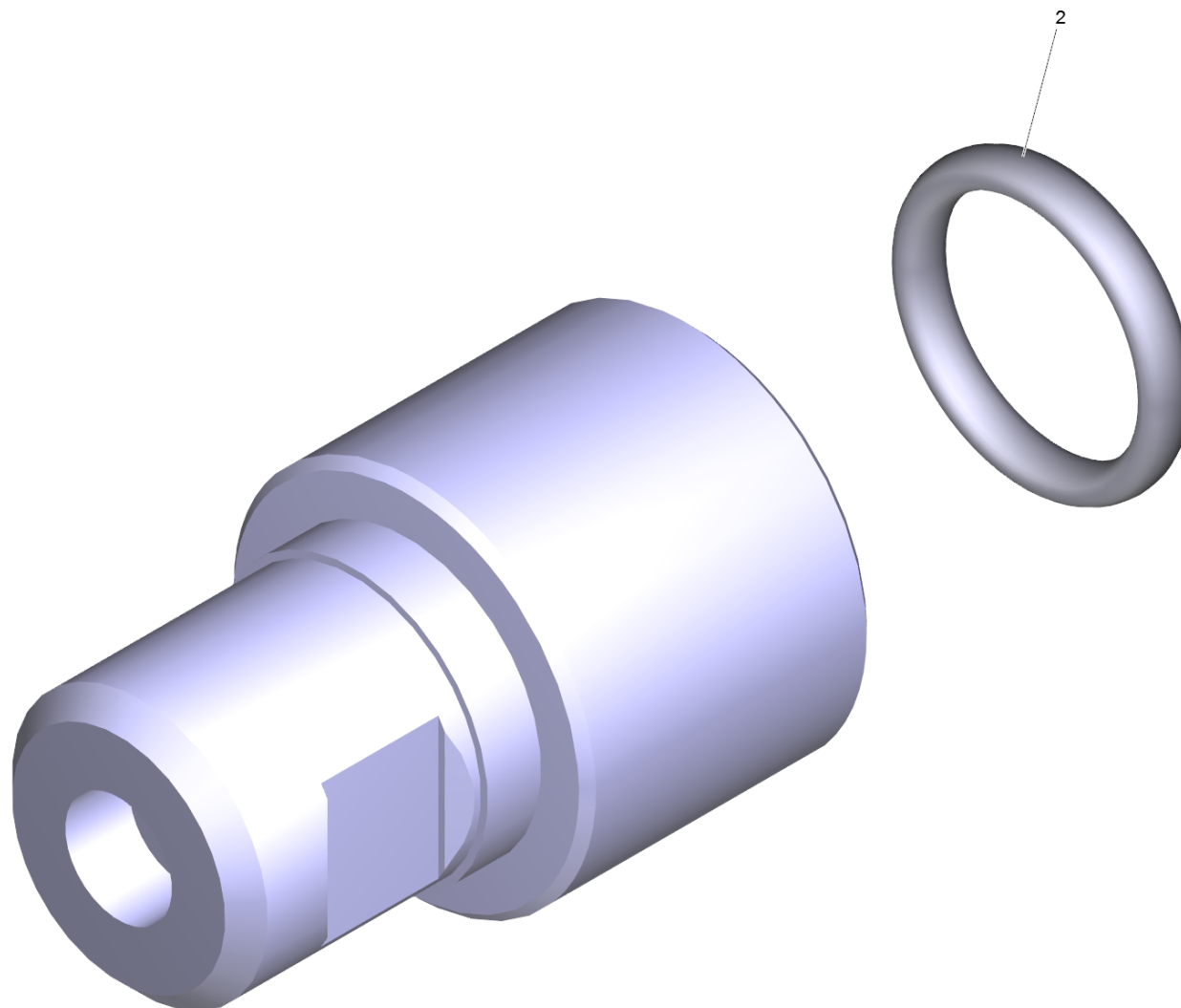
---

<b>POS</b>	<b>Description</b>	<b>Quantity</b>	<b>Unit</b>
10	Threat and cone test device female threa	1	PC
10	Threat and cone test device female threa	1	PC
10	Threat and cone test device female threa	1	PC

Specification female thread D=20 L=8,7

---

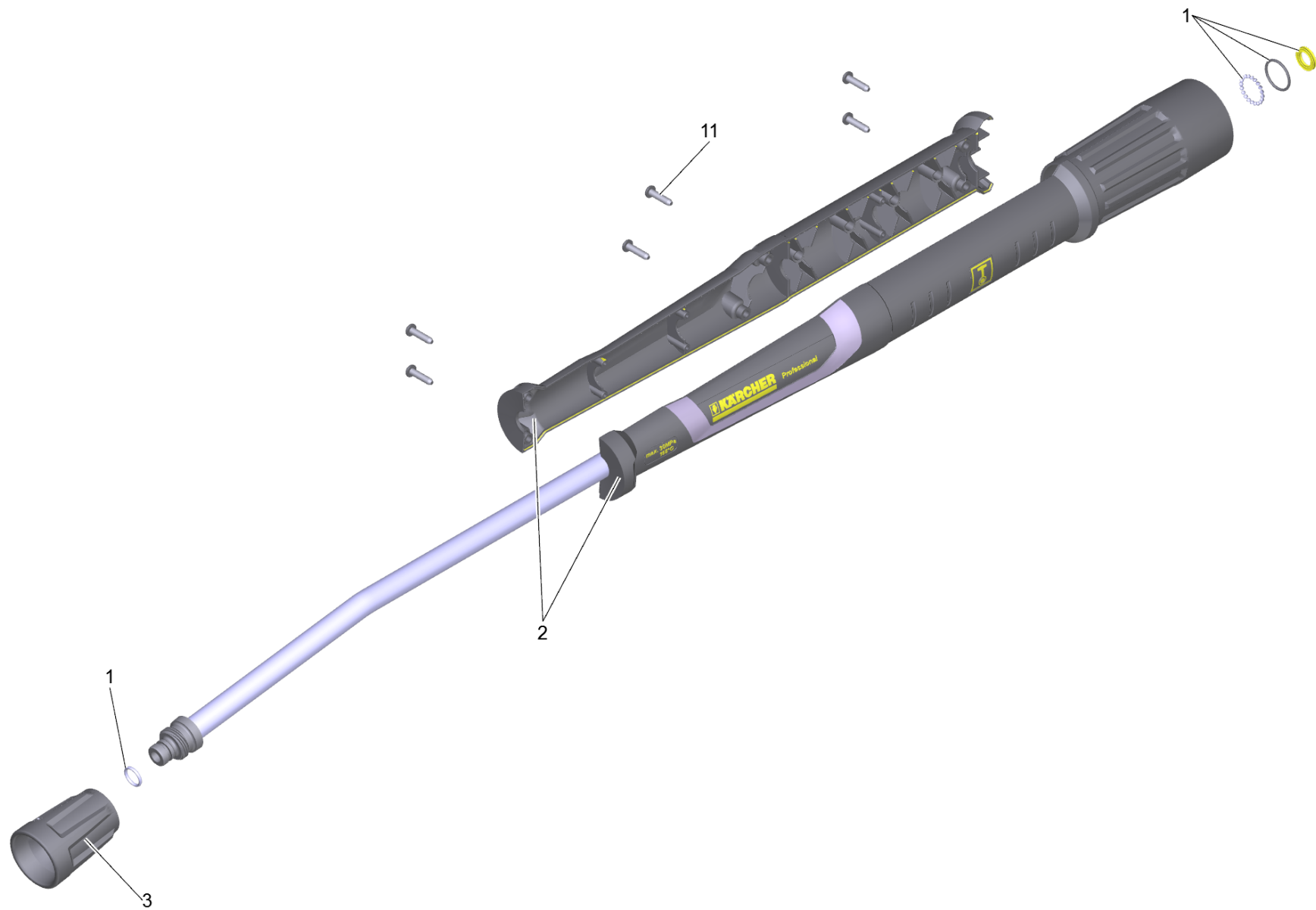
<b>POS</b>	<b>Description</b>	<b>Quantity</b>	<b>Unit</b>
10	Threat and cone test device female threa	1	PC
10	Threat and cone test device female threa	1	PC
10	Threat and cone test device female threa	1	PC



870 Power nozzle TR 25045 (2.113-022.0)

---

<b>POS</b>	<b>Article no.</b>	<b>Description</b>	<b>Quantity</b>	<b>Unit</b>
2	2.880-001.0	Spare part set seals TR	1	PC



## 880 Jet pipe TR 840 mm (4.112-006.0)

---

<b>POS</b>	<b>Article no.</b>	<b>Description</b>	<b>Quantity</b>	<b>Unit</b>
1	4.100-688.0	Spare part set seal TR	1	PC
2	5.321-018.3	Handle bowl jet pipe only for replacemen	1	PC
3	4.112-011.0	Protection part TR only for replacement	1	PC
11	7.303-129.0	Screw 4x16-10.9-R2R (K-In6Rd)	6	PC