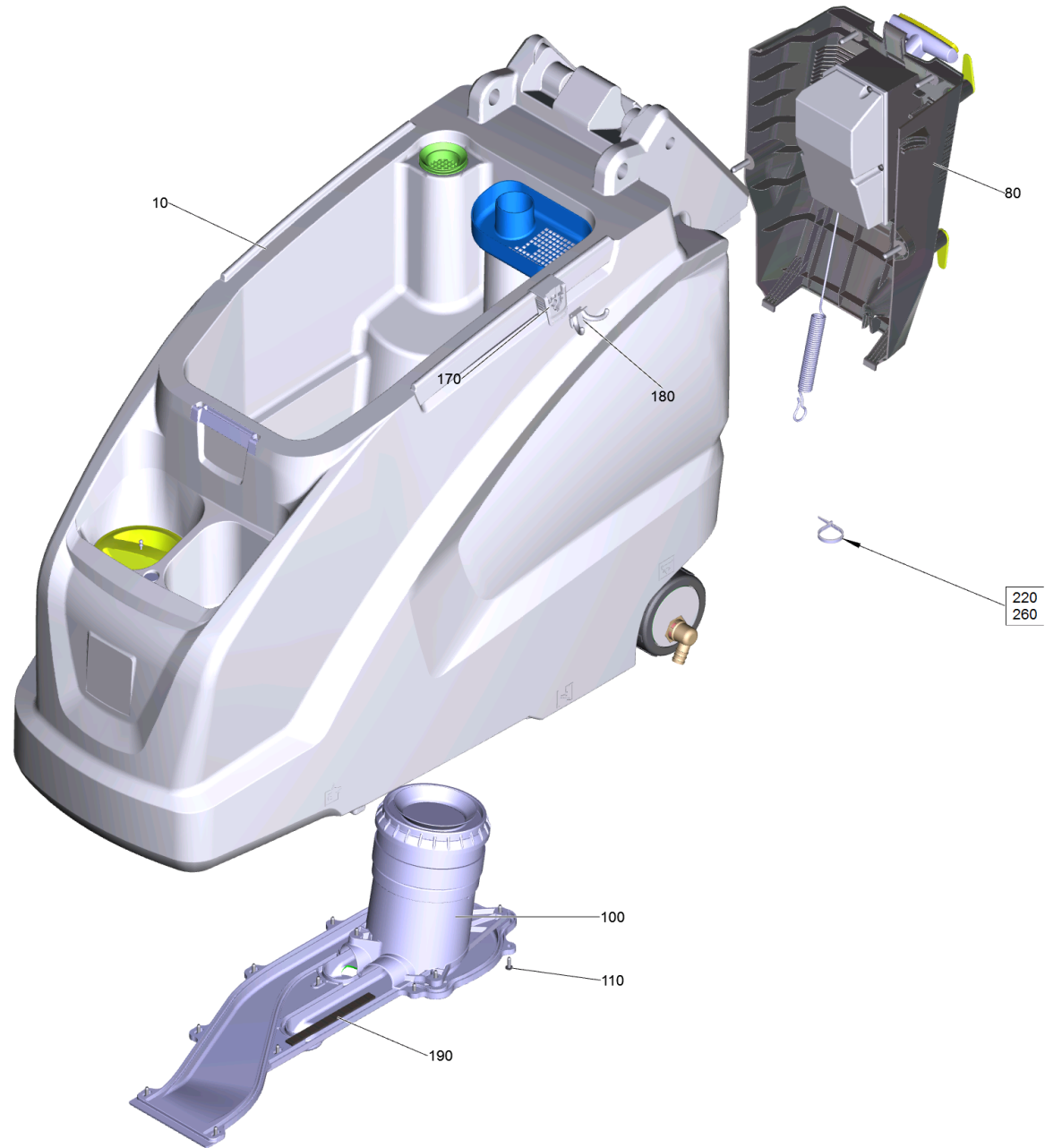


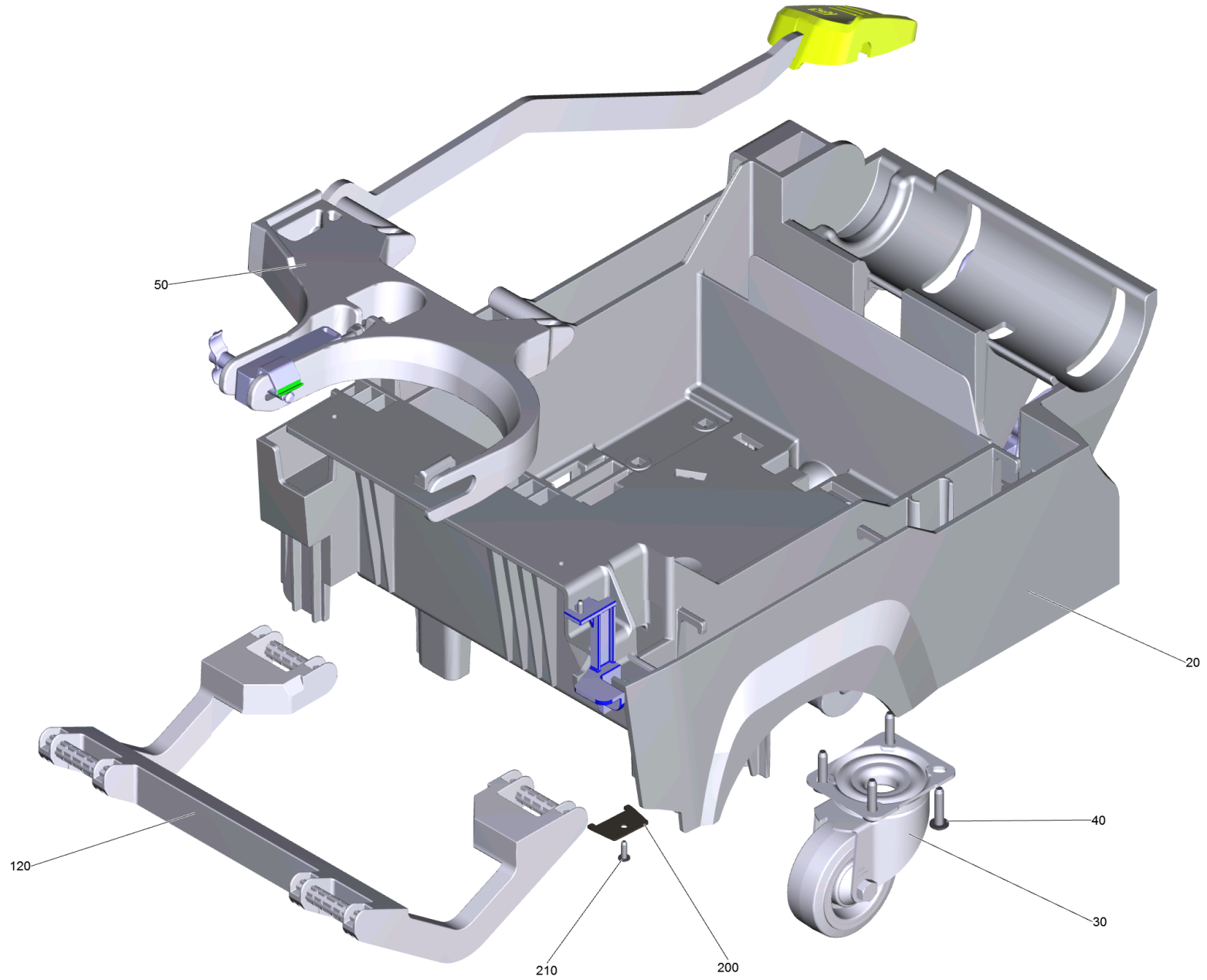
10 Basic machinery B 40

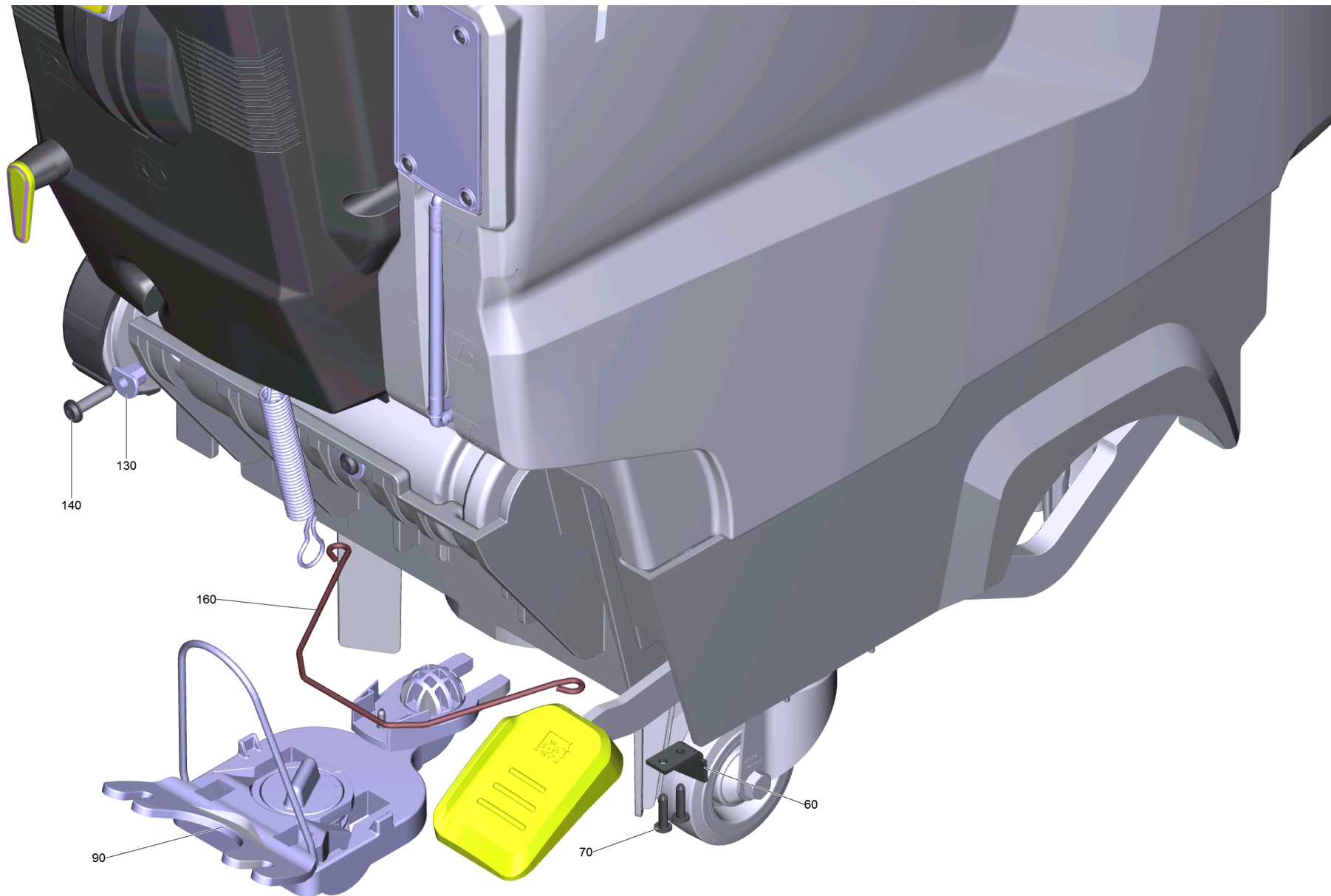
Professional \ Floor cleaner \ Walk behind \ B 40 \ B 40 C Bp Dose \ Basic machinery B 40



10 Basic machinery B 40

Professional \ Floor cleaner \ Walk behind \ B 40 \ B 40 C Bp Dose \ Basic machinery B 40





10 Basic machinery B 40

Professional \ Floor cleaner \ Walk behind \ B 40 \ B 40 C Bp Dose \ Basic machinery B 40



POS	Article no.	Description	Quantity	Unit	Foot note text
10	4.035-335.0	Tank complete	1.000	ST	
20	5.035-350.0	Frame B40	1.000	ST	
30	6.435-011.3	Castor	2.000	ST	
40	6.303-315.0	Screw 8 x 35	8.000	ST	
50		Suspension brush-head complete	1.000	ST	
60	5.035-361.0	Sheet metal component	1.000	ST	
70	7.303-109.0	Screw 5x25 -10.9-R2R (In6Rd)	2.000	ST	
80		Covering cap rear complete	1.000	ST	
90		Suction bar lifting complete	1.000	ST	
100		Vacuum motor	1.000	ST	
110	7.303-107.0	Screw 5x16 -10.9-P2R (K-In6Rd)	13.000	ST	
120	5.035-334.0	Retaining bracket connecting rod	1.000	ST	
130	5.035-522.0	Sleeve	3.000	ST	
140	6.303-315.0	Screw 8 x 35	3.000	ST	
160	5.035-440.0	Wire spring	1.000	ST	
170	5.035-488.0	Adapter Homebase	1.000	ST	
180	6.980-077.0	Double hook	1.000	ST	
190	6.273-090.0	Sealing tape 13x3	1.000	M	TO ORDER AS CUT GOODS
200	5.035-726.0	Plate	1.000	ST	
210	7.303-107.0	Screw 5x16 -10.9-P2R (K-In6Rd)	1.000	ST	
220	6.641-465.0	Cable tape	1.000	ST	
260	6.647-081.0	Cable tape	1.000	ST	