

Spare parts list

(1.600-979.0) K 2 Classic *EU

Table of contents

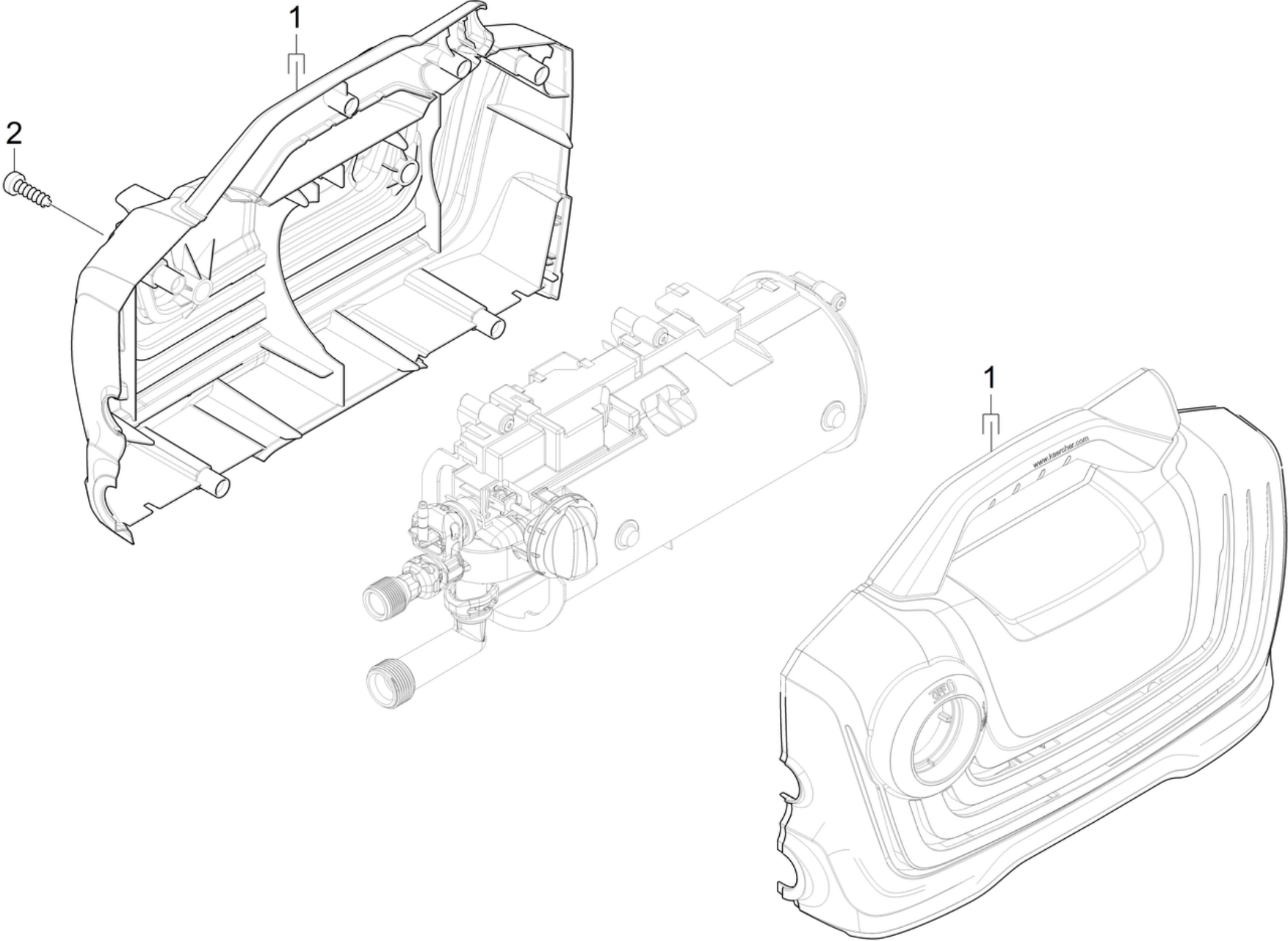
K 2 Classic *EU (1.600-979.0)	3
201 Spare parts list K2 Classic*EU	4
10 Housing	5
20 Pump set	7
4 Spare parts set control piston with nipp (2.885-427.0)	9
5 Cylinder head for replacement (014) RV (4.551-173.0)	11
9003 Spare parts set control piston with nipp (2.885-427.0)	13
7 Suction cover straight for replacement + (4.063-915.0)	15
12 High-pressure outlet short for replaceme (4.063-916.0)	17
30 Motor	19
12 Spare parts set strain relief with cable (2.885-475.0)	21
12 Spare parts set strain relief with cable (2.885-486.0)	23
40 Accessories	25
41 Pistol entry (4.775-236.3)	26
42 High pressure hose 13,5MPa/4 40°C NQCS B (6.396-734.0)	28
43 VPS entry 026 K (4.760-313.3)	30

K 2 Classic *EU (1.600-979.0)

POS	Description	Quantity	Unit
201	Spare parts list K2 Classic*EU	1.000	ST

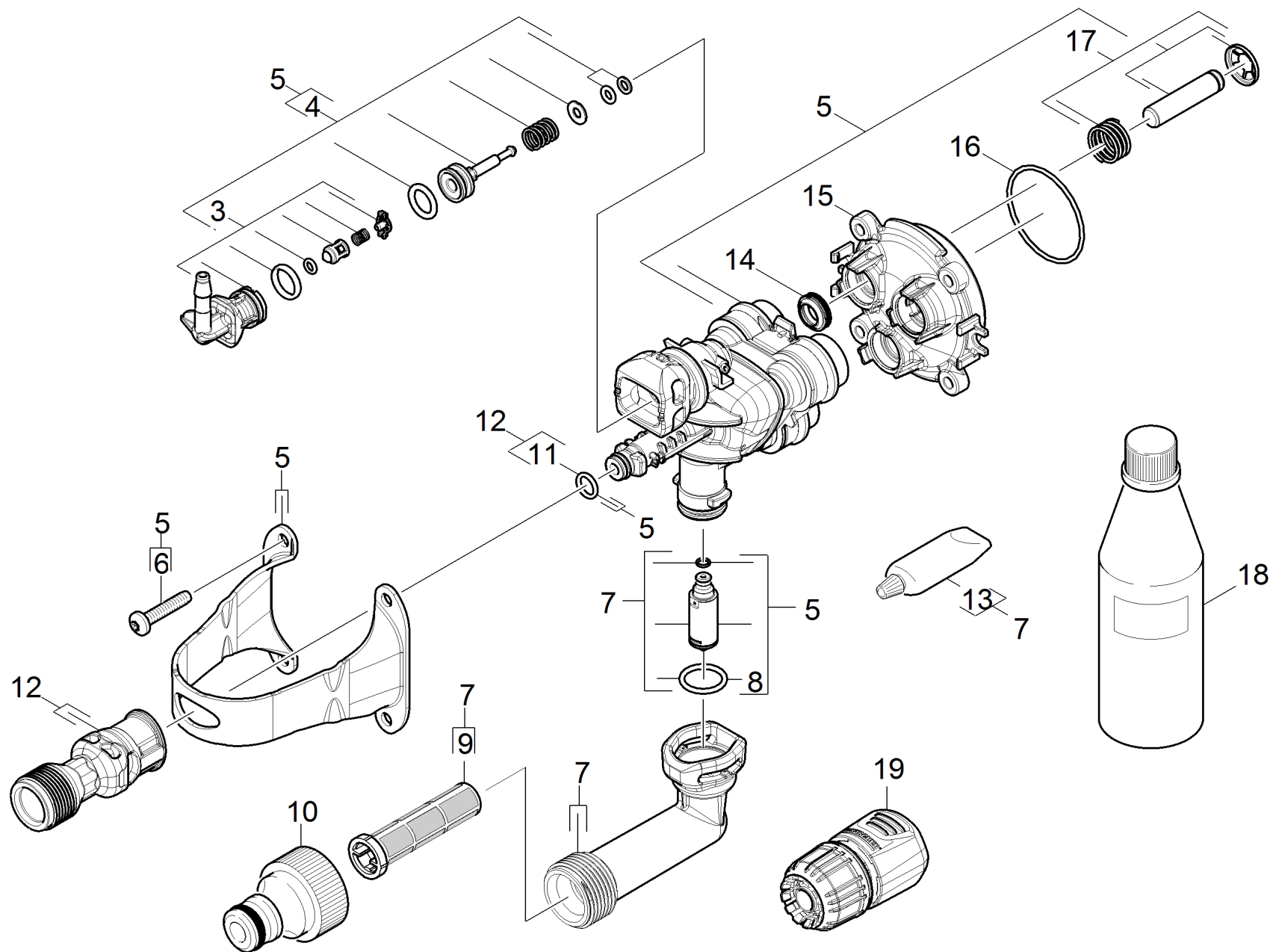
201 Spare parts list K2 Classic*EU

POS	Description	Quantity	Unit
10	Housing	1.000	ST
20	Pump set	1.000	ST
30	Motor	1.000	ST
40	Accessories	1.000	ST



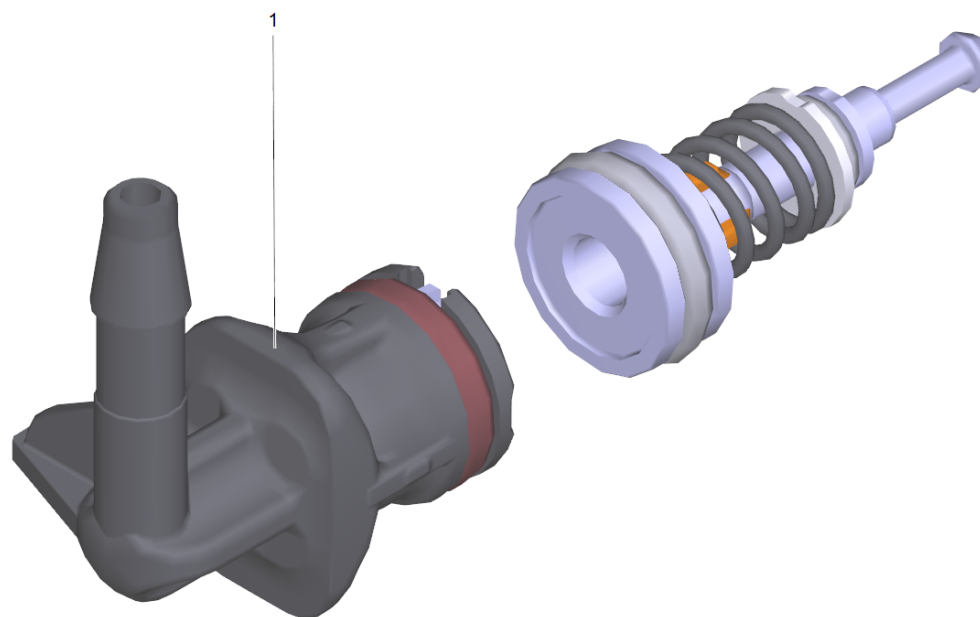
10 Housing

POS	Article no.	Description	Quantity	Unit
1	9.755-452.0	Housing pair replacement K2 RV	1.000	ST
2	9.086-221.0	Screw ATF 4.1x22	6.000	ST



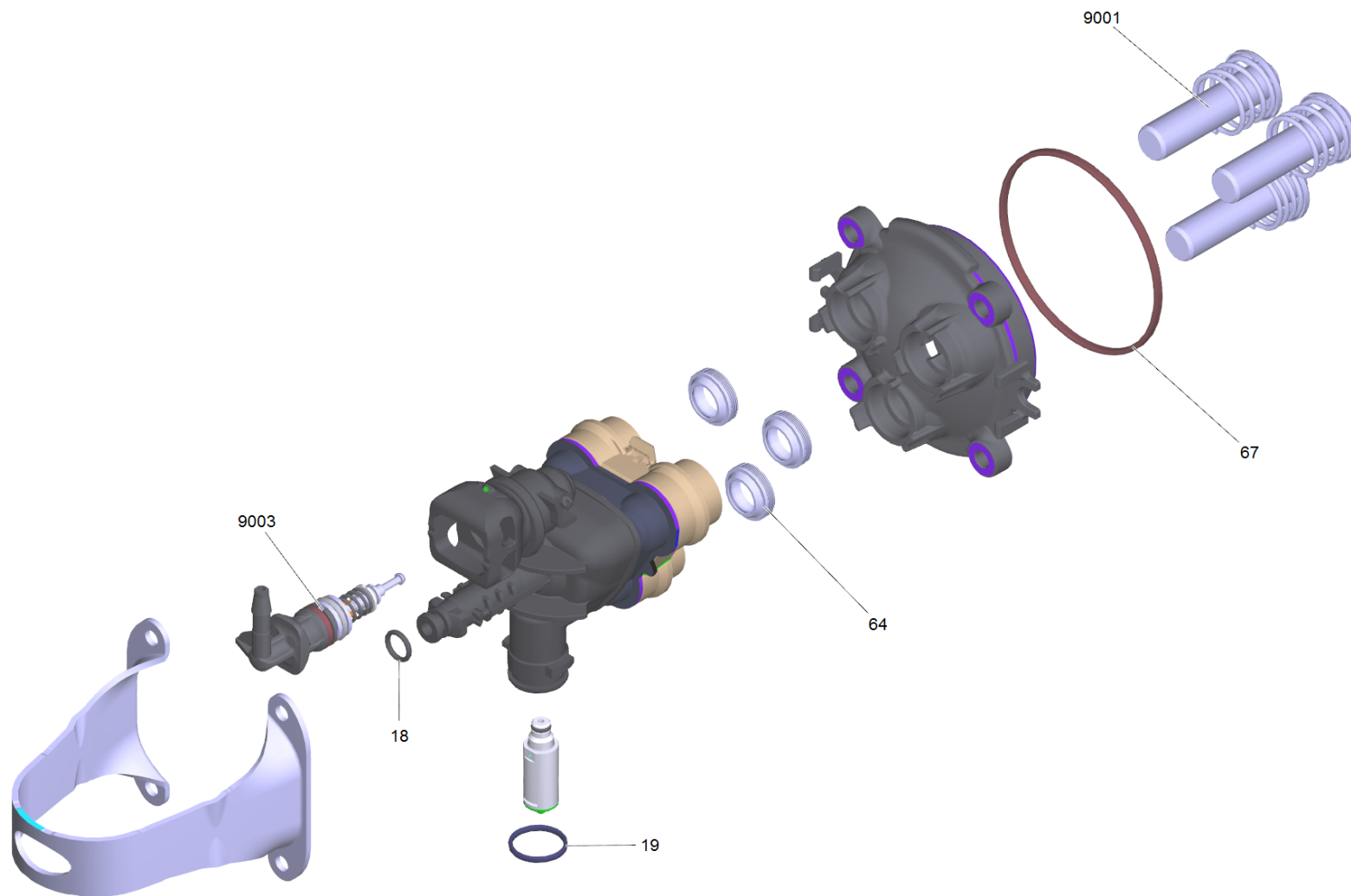
20 Pump set

POS	Article no.	Description	Quantity	Unit	Remark
3	2.885-426.0	Spare parts set nipple chemistry RV (0°)	1.000	ST	
4	2.885-427.0	Spare parts set control piston with nipp	1.000	ST	
5	4.551-173.0	Cylinder head for replacement (014) RV	1.000	ST	
6	6.303-260.0	Screw 5x26,4	4.000	ST	7 +/-1 Nm
7	4.063-915.0	Suction cover straight for replacement +	1.000	ST	
8	6.362-427.0	O-Ring seal 15,0x2,0	1.000	ST	
9	5.731-598.0	Fine filter long	1.000	ST	
10	6.465-031.0	Connection 3/4	1.000	ST	
11	6.362-113.0	O-Ring seal 6,0 x 2,0 NBR 70	1.000	ST	
12	4.063-916.0	High-pressure outlet short for replaceme	1.000	ST	
13	6.288-072.0	Silicon grease	1.000	ST	
14	6.365-581.0	Grooved ring 12x18x4/6 NBR 75 Shore A	3.000	ST	
15	5.062-412.0	Thrust guidance V2 R V	1.000	ST	
16	6.362-826.0	O-Ring seal 61,6x2,62	1.000	ST	
17	2.885-398.0	Spare parts set piston with spring RV	3.000	ST	
18	6.288-112.0	Engine oil 10W-60, 1L	1.000	ST	
19	4.645-332.0	HOSE CONNECTOR 1/2" / 5/8" OPP	1.000	ST	



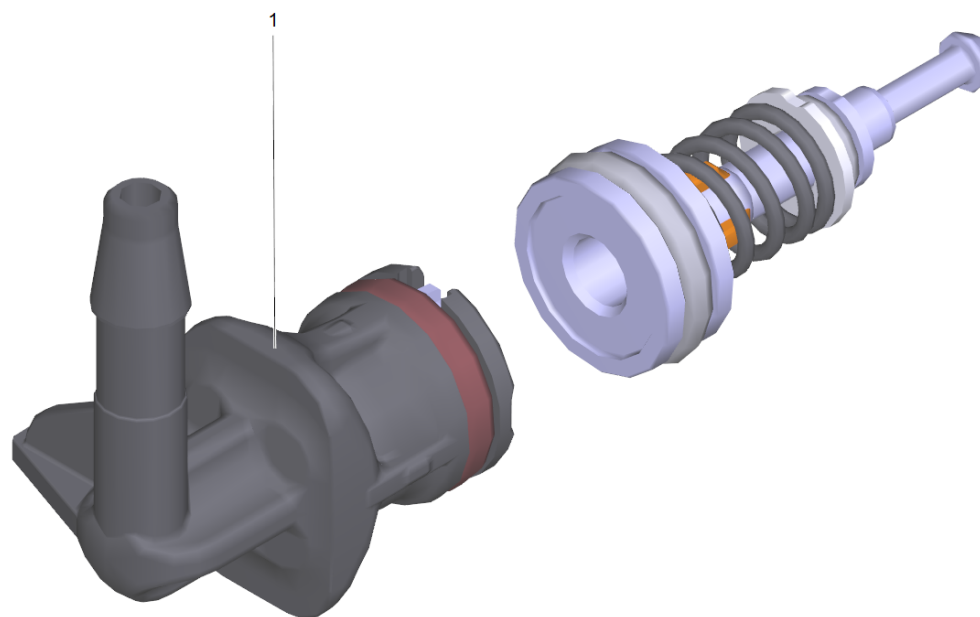
4 Spare parts set control piston with nipp (2.885-427.0)

POS	Article no.	Description	Quantity	Unit
1	2.885-426.0	Spare parts set nipple chemistry RV (0°)	1.000	ST



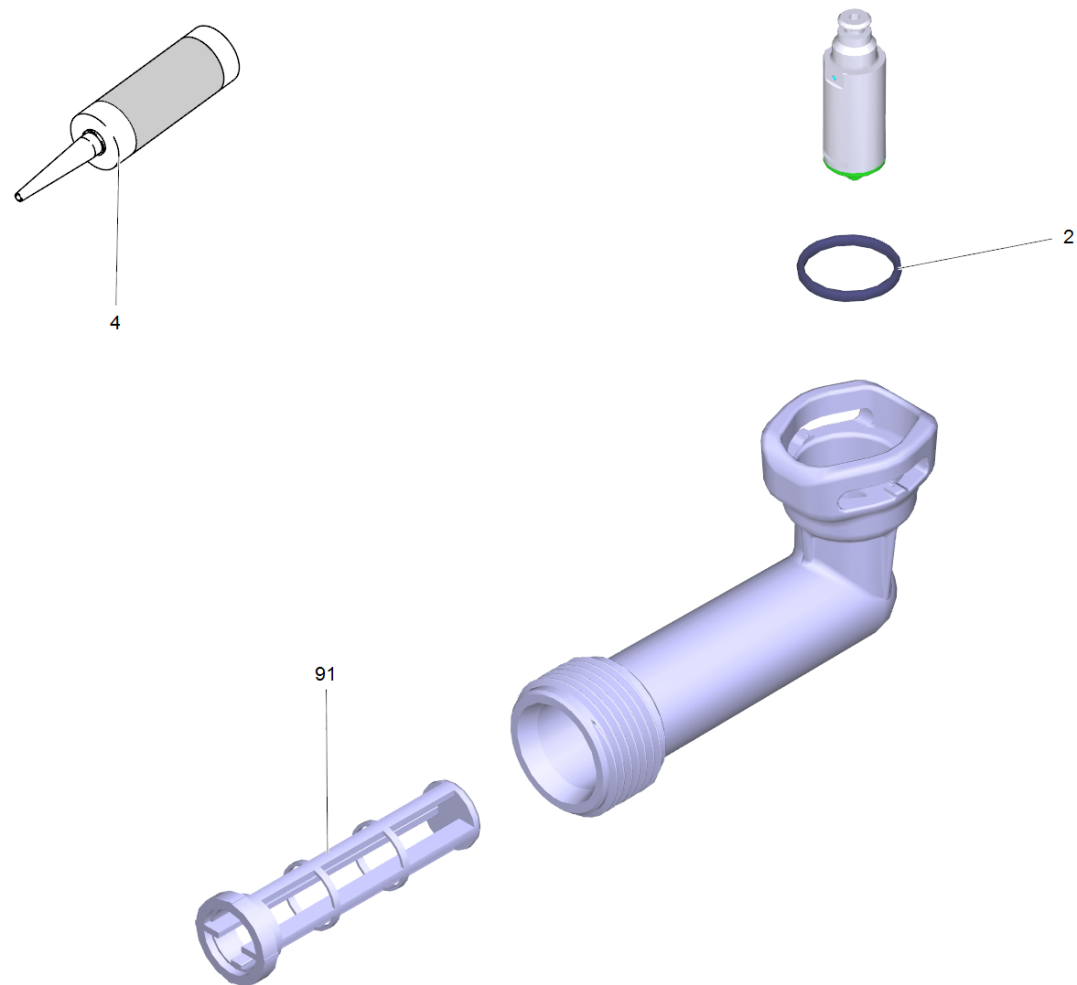
5 Cylinder head for replacement (014) RV (4.551-173.0)

POS	Article no.	Description	Quantity	Unit
18	6.362-113.0	O-Ring seal 6,0 x 2,0 NBR 70	1.000	ST
19	6.362-427.0	O-Ring seal 15,0x2,0	1.000	ST
64	6.365-581.0	Grooved ring 12x18x4/6 NBR 75 Shore A	1.000	ST
67	6.362-826.0	O-Ring seal 61,6x2,62	1.000	ST
9001	2.885-398.0	Spare parts set piston with spring RV	1.000	ST
9003	2.885-427.0	Spare parts set control piston with nipp	1.000	ST



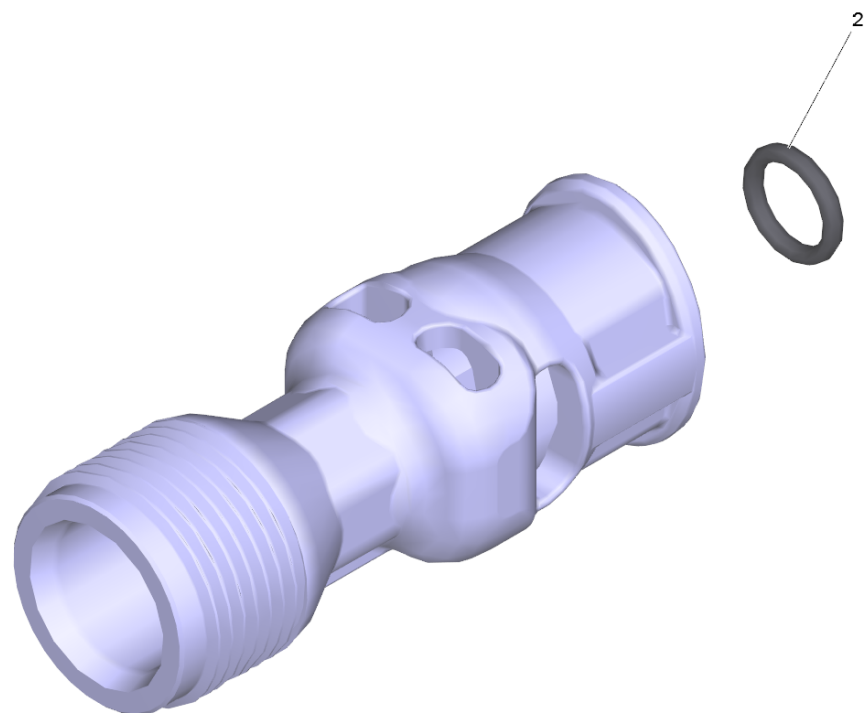
9003 Spare parts set control piston with nipp (2.885-427.0)

POS	Article no.	Description	Quantity	Unit
1	2.885-426.0	Spare parts set nipple chemistry RV (0°)	1.000	ST



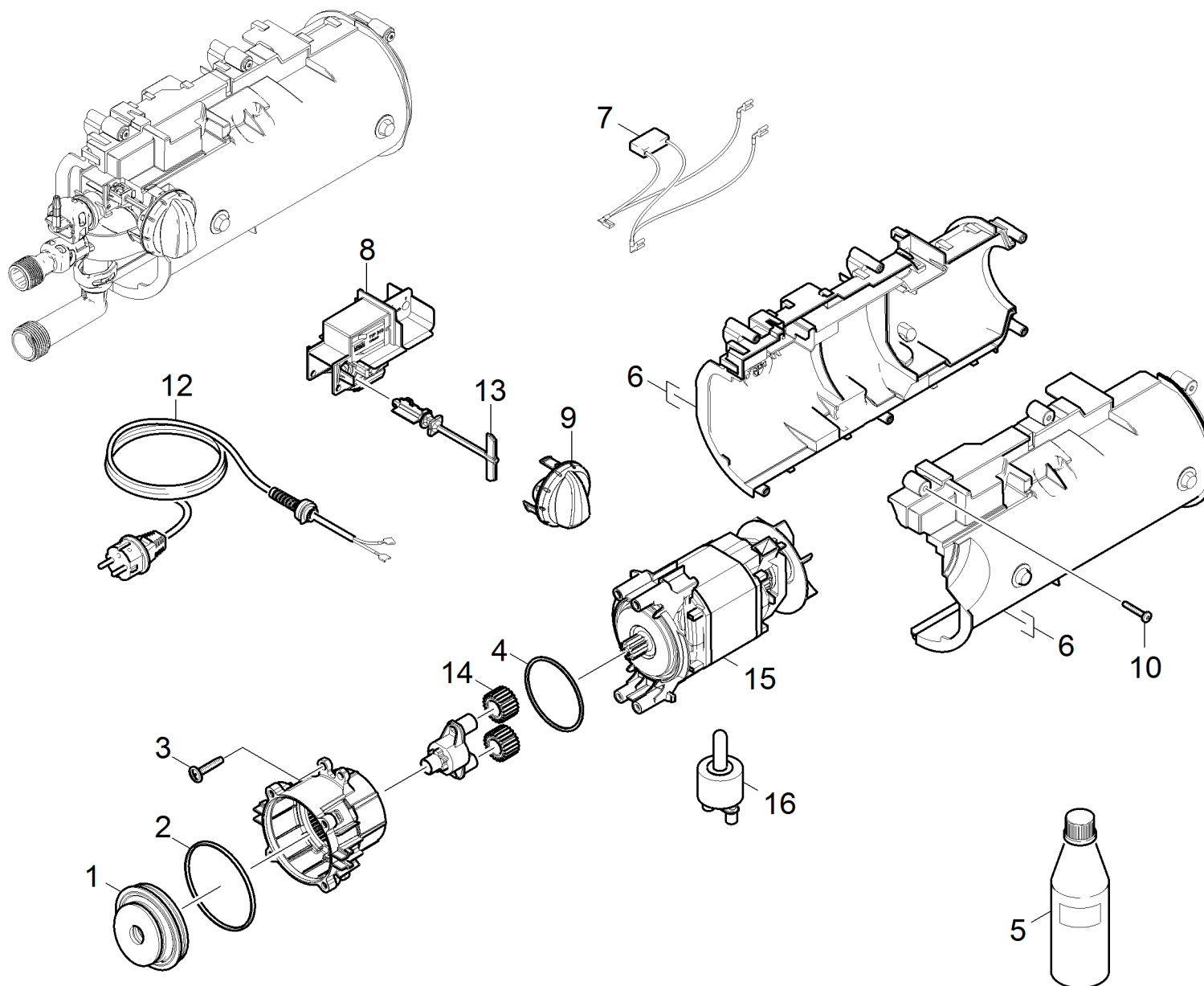
7 Suction cover straight for replacement + (4.063-915.0)

POS	Article no.	Description	Quantity	Unit
2	6.362-427.0	O-Ring seal 15,0x2,0	1.000	ST
4	6.288-072.0	Silicon grease	1.000	ST
91	5.731-598.0	Fine filter long	1.000	ST



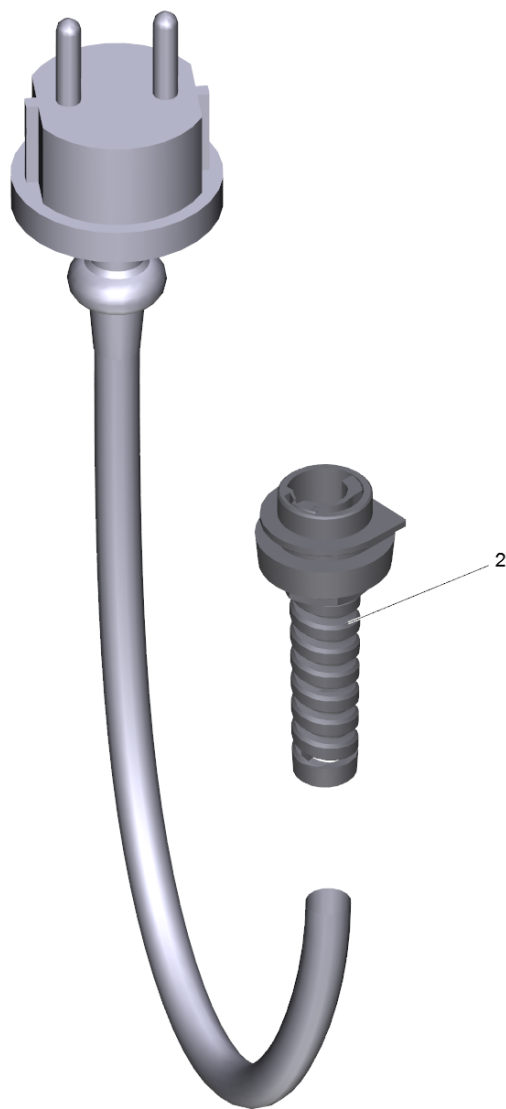
12 High-pressure outlet short for replaceme (4.063-916.0)

POS	Article no.	Description	Quantity	Unit
2	6.362-113.0	O-Ring seal 6,0 x 2,0 NBR 70	1.000	ST



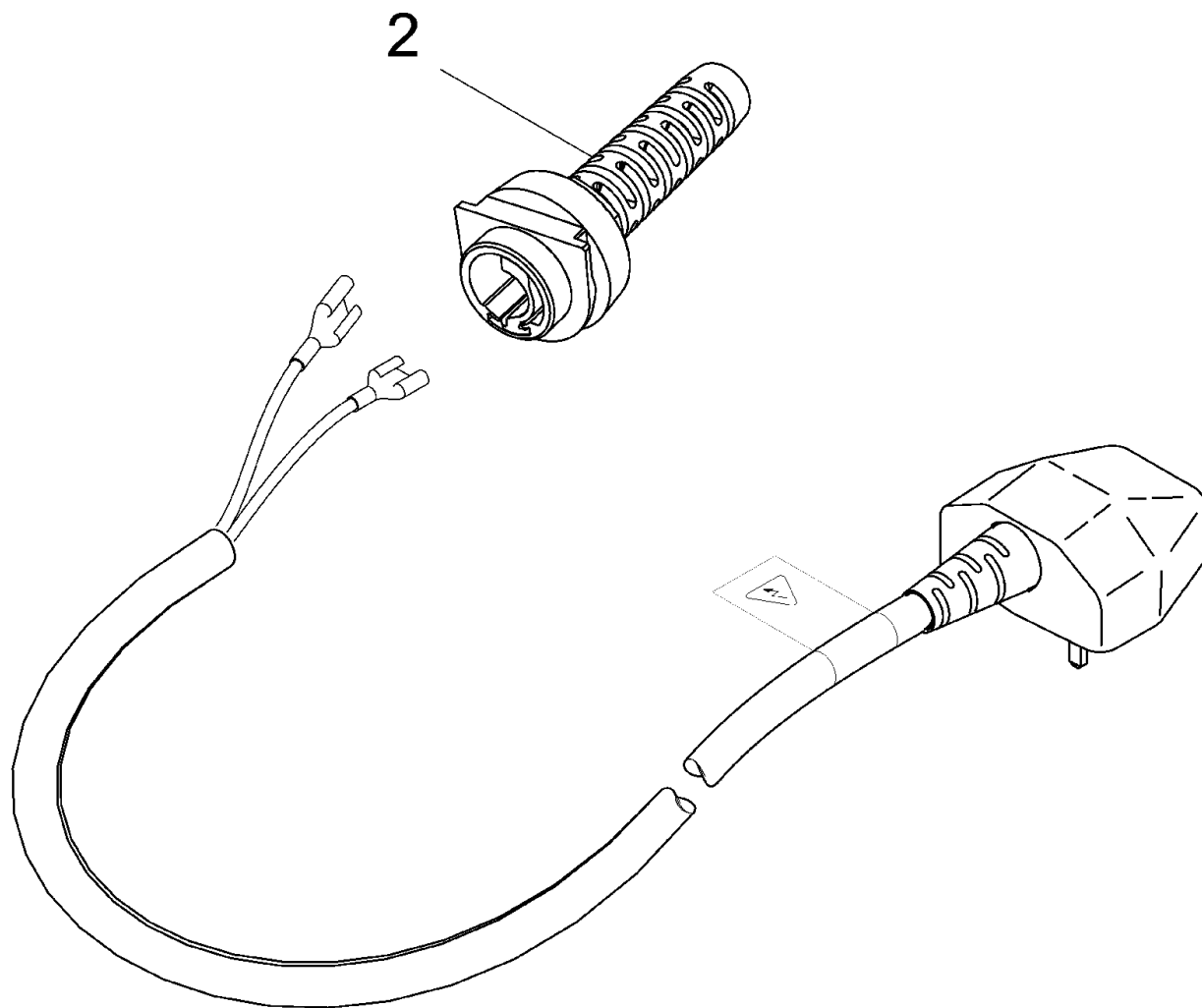
30 Motor

POS	Article no.	Description	Quantity	Unit
1	4.120-228.0	Wobble plate complete 5-parts 6°12'/4,02ex	1.000	ST
2	6.362-826.0	O-Ring seal 61,6x2,62	1.000	ST
3	6.303-260.0	Screw 5x26,4	4.000	ST
4	6.363-657.0	O-Ring seal 50x2.35 NBR 70	1.000	ST
5	6.288-112.0	Engine oil 10W-60, 1L	1.000	ST
6	9.755-468.0	Motor housing pair RV	1.000	ST
7	6.648-389.0	Cable with capacitor 220nF (225/280mm)	1.000	ST
8	6.630-637.0	Switch RV *EU	1.000	ST
9	9.755-469.0	Handhold switch replacement Modul Range	1.000	ST
10	9.086-221.0	Screw ATF 4.1x22	6.000	ST
12	2.885-486.0	Spare parts set strain relief with cable	1.000	ST
	Item text1: 1.600-980.0			
12	2.885-475.0	Spare parts set strain relief with cable	1.000	ST
	Item text1: 1.600-971.0/-975.0/.979.0			
13	5.105-659.0	Axle UZS 75.5mm	1.000	ST
14	5.352-093.0	Planet wheel N-cor (z22) - FEES	2.000	ST
15	4.100-622.0	Motor only for replacement	1.000	ST
	Item text1: 1.600-971.0/-979.0/-980.0			
16	2.100-023.0	Special tool motor K2	1.000	ST
	Item text1: Pay attention to Assembly instruction!			
	Item text2: Montageanleitung beachten!			



12 Spare parts set strain relief with cable (2.885-475.0)

POS	Article no.	Description	Quantity	Unit
2	9.760-372.0	strain relief	1.000	ST

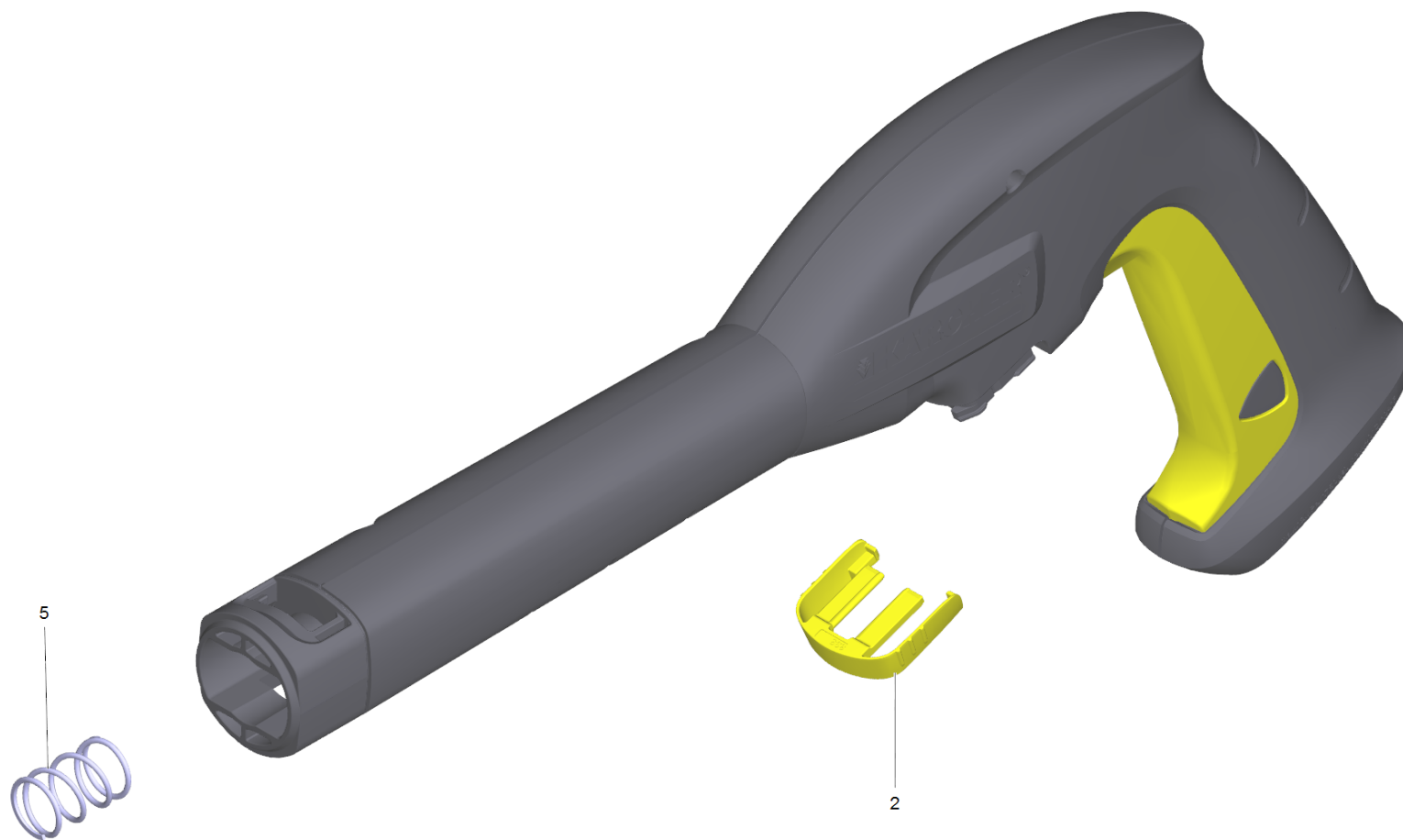


12 Spare parts set strain relief with cable (2.885-486.0)

POS	Article no.	Description	Quantity	Unit
2	9.760-372.0	strain relief	1.000	ST

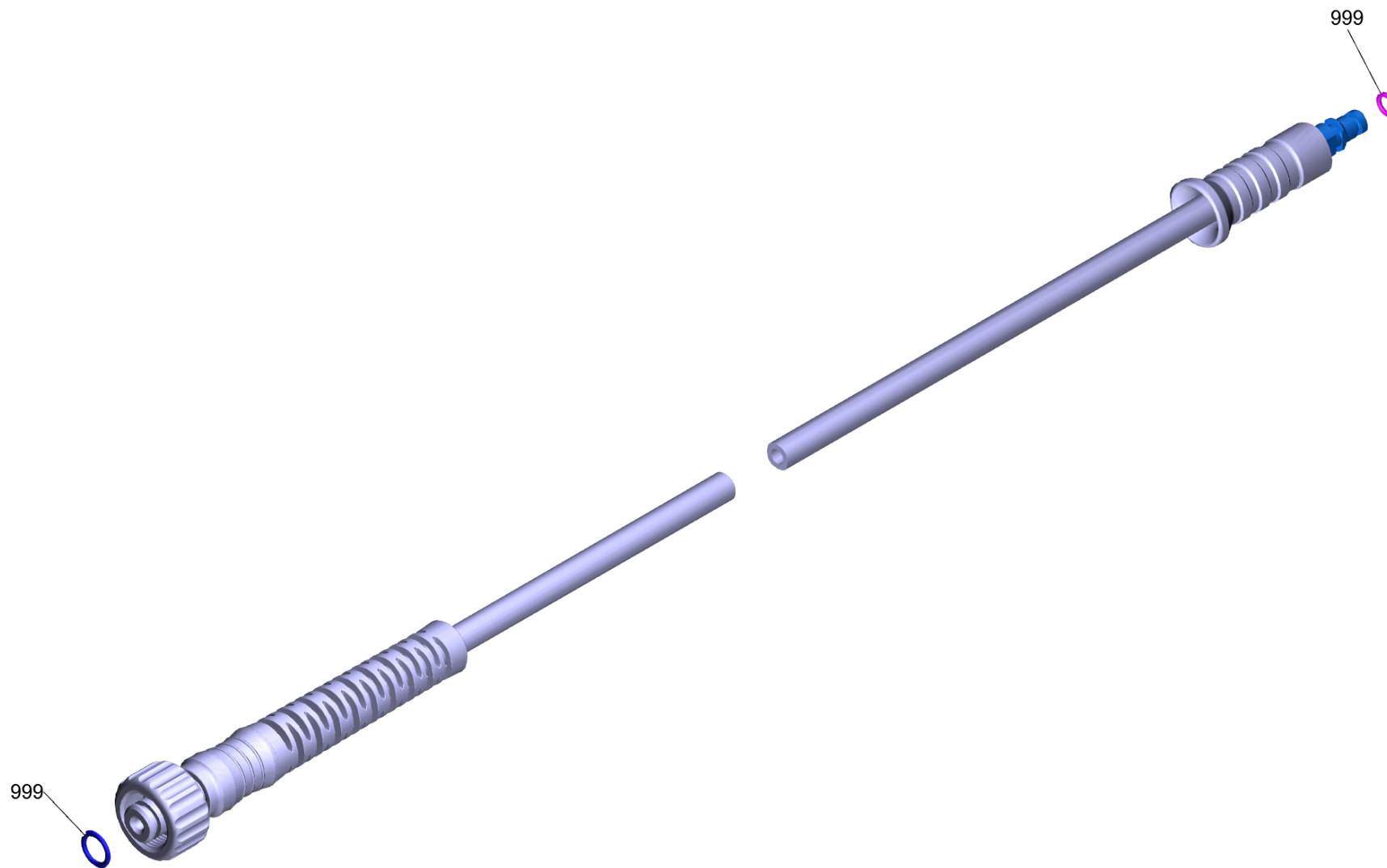
40 Accessories

POS	Article no.	Description	Quantity	Unit
41	4.775-236.3	Pistol entry	1.000	ST
42	6.396-734.0	High pressure hose 13,5MPa/4 40°C NQCS B	1.000	ST
43	4.760-313.3	VPS entry 026 K	1.000	ST



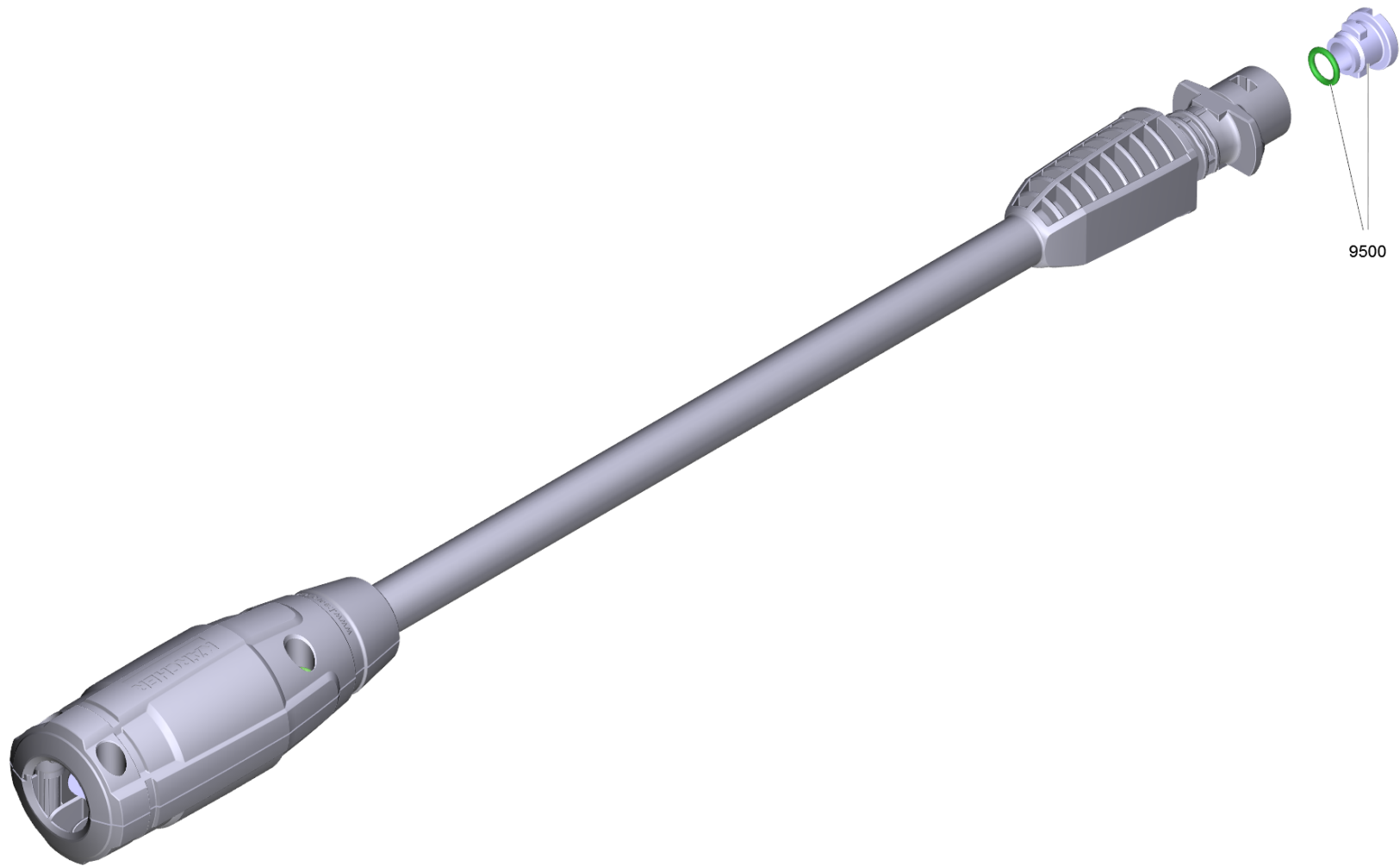
41 Pistol entry (4.775-236.3)

POS	Article no.	Description	Quantity	Unit
2	5.037-333.0	Clamp pistol Entry	1.000	ST
5	5.332-464.0	Pressure spring	1.000	ST



42 High pressure hose 13,5MPa/4 40°C NQCS B (6.396-734.0)

POS	Article no.	Description	Quantity	Unit
999	2.640-729.0	O-Ring seal set	1.000	ST



43 VPS entry 026 K (4.760-313.3)

POS	Article no.	Description	Quantity	Unit
9500	2.640-729.0	O-Ring seal set	1.000	ST