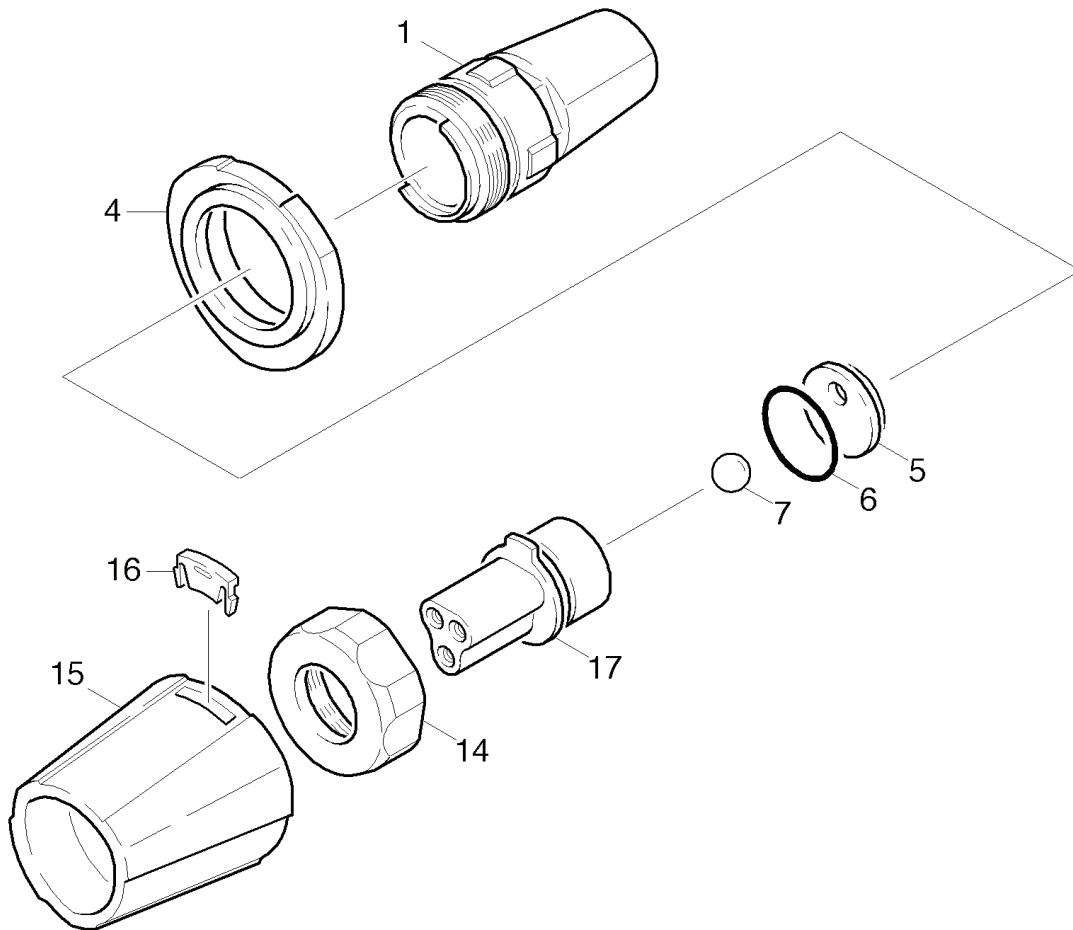


10 Triple jet nozzle

Professional \ High pressure cleaner cold water \ Electric motor \ HD 13/18-4 S Plus *EU-I \ Spare parts list HD 13/18 S \ Accessories \ Triple jet nozzle \ Triple jet nozzle 08 \ Spare parts list triple jet nozzle \ Triple jet nozzle

KÄRCHER



10 Triple jet nozzle

Professional \ High pressure cleaner cold water \ Electric motor \ HD 13/18-4 S Plus *EU-I \ Spare parts list HD 13/18 S \ Accessories \ Triple jet nozzle \ Triple jet nozzle 08 \ Spare parts list triple jet nozzle \ Triple jet nozzle

KÄRCHER

POS	Article no.	Description	Quantity	Unit	Remark
1	4.060-395.0	Housing complete only for replacement	1.000	ST	
5	5.031-370.0	Moulded part	1.000	ST	
16	5.031-709.0	Moulded part	1.000	ST	
17	4.764-173.0	Nozzle holder 0100	1.000	ST	4.767-106.0
17	4.764-157.0	Nozzle holder 047	1.000	ST	4.767-064.0
17	4.764-158.0	Nozzle holder 05	1.000	ST	4.767-065.0
17	4.764-159.0	Nozzle holder 055	1.000	ST	4.767-066.0
17	4.764-161.0	Nozzle holder 08	1.000	ST	4.767-068.0
17	4.764-169.0	Nozzle holder 09	1.000	ST	4.767-075.0
6	6.362-831.0	O-Ring d. 22x2 NBR 90	1.000	ST	
15	5.394-402.0	Protection part	1.000	ST	
4	5.394-401.0	Protection part	1.000	ST	
7	7.401-917.0	Sphere 10,0 G100-1.4301 DIN 5401	1.000	ST	
17	7.777-999.0	Stockpiling discontinued	1.000	ST	4.767-067.0/-069.0
14	5.311-192.0	Union nut	1.000	ST	