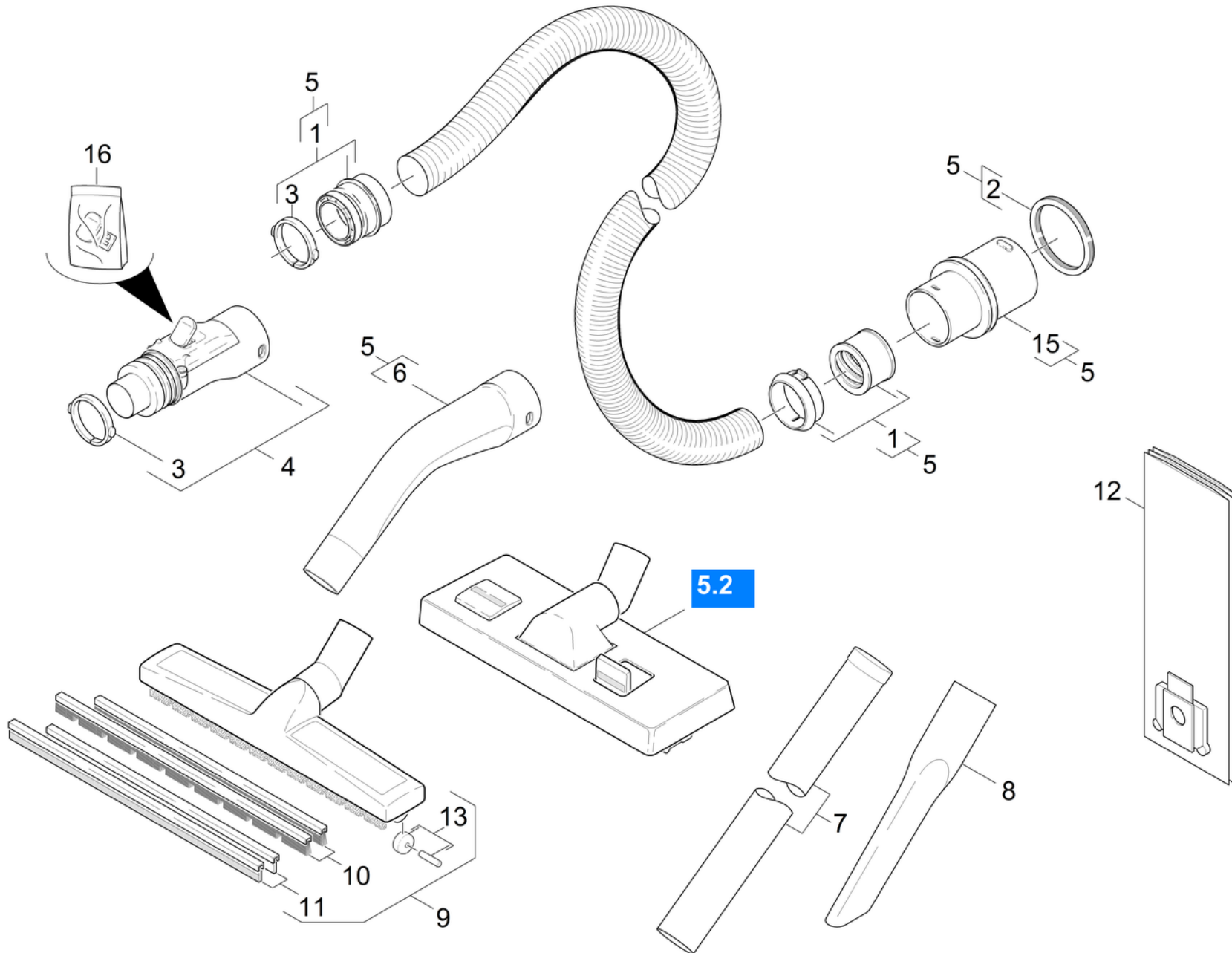


# 51 Accessories

Professional \ Vacuum cleaner \ Wet-/dry vacuum cleaner \ NT 361 ECO \ Spare parts list NT 361 ECO \ Accessories \ Accessories



## 51 Accessories

Professional \ Vacuum cleaner \ Wet-/dry vacuum cleaner \ NT 361 ECO \ Spare parts list NT 361 ECO \ Accessories \ Accessories



POS	Article no.	Description	Quantity	Unit	Foot note text
10	6.903-278.0	Brush strips set	1.000	ST	
8	6.906-240.0	Crevice nozzle DN35	1.000	ST	
6	5.031-718.0	Elbow	1.000	ST	
12	6.904-210.0	Filter bag 5St.	1.000	ZSA	
12	6.904-351.0	Filter bag fleece 5St.	1.000	ST	fleece
12	6.904-997.0	Filter bags neutrally 5 x	1.000	ST	
9	6.903-284.0	Floor tool DN35	1.000	ST	
15	5.443-464.0	Hosebarb	1.000	ST	
4	4.060-420.0	Housing module C35	1.000	ST	
2	6.273-009.0	Joint ring EPDM	1.000	ST	
16	4.324-015.0	Pushbutton module complete	1.000	ST	
1	2.639-690.0	Repair set	1.000	ST	
13	4.515-342.0	Roller complete with axle	2.000	ST	
12	6.907-479.0	Set filter bags-fleece 35L	1.000	ST	
	<b>Item text1:</b> 1.184-115.0, -118.0				
11	6.903-277.0	Set suction lips	1.000	ST	
5	4.440-626.0	Suction hose C DN35	1.000	ST	
7	6.900-514.0	Suction tube DN35	2.000	ST	
3	5.031-703.0	Tension ring C35	2.000	ST	