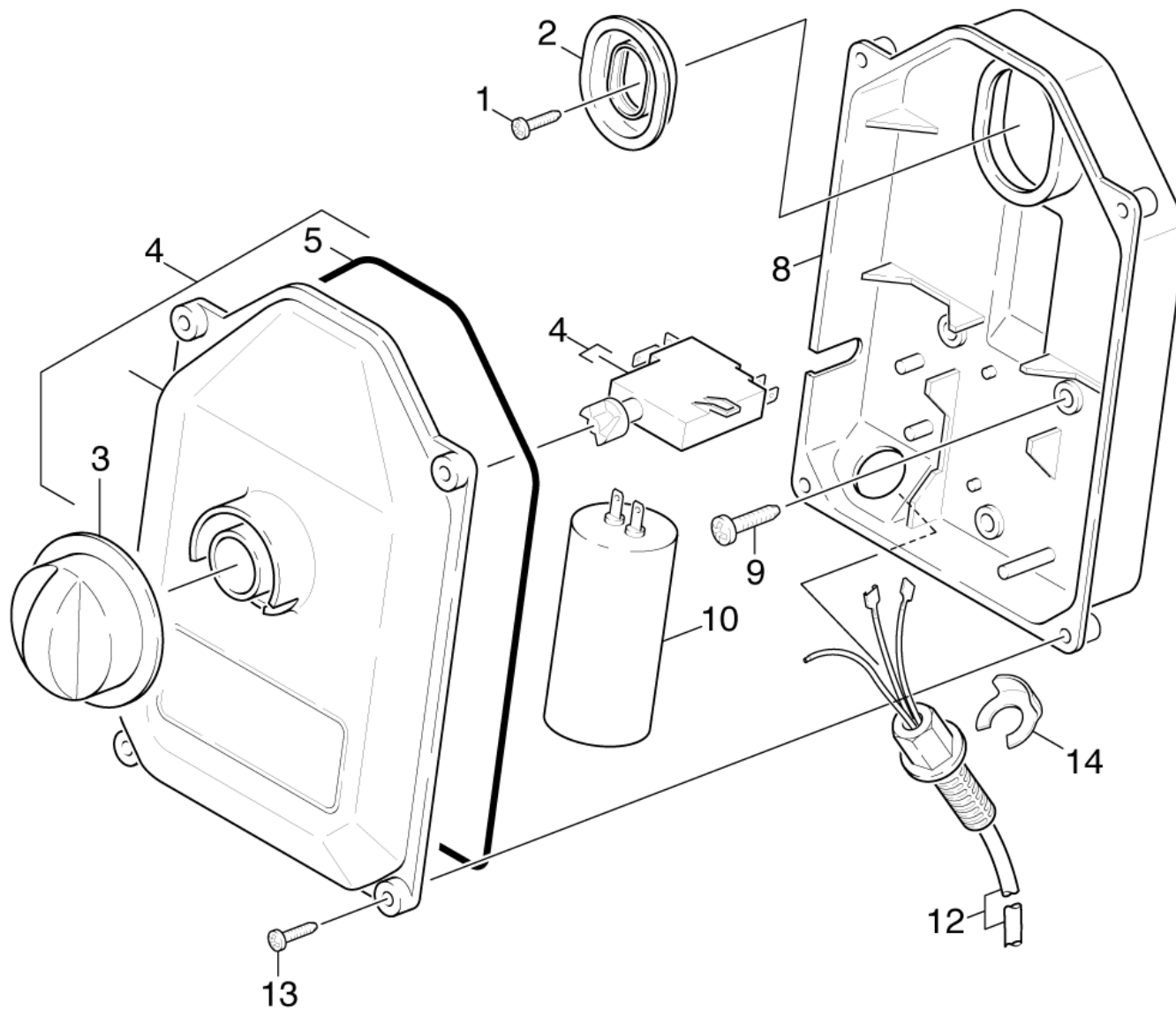


50 Electric control box

Overview technical documents/Professional/High pressure cleaner cold water/Electric motor/HD 650 SX PLUS *EU (1.150-401.0)/Spare parts list HD 650SX *EUR 230V,1 PH/50 Electric control box



50 Electric control box

Overview technical documents/Professional/High pressure cleaner cold water/Electric motor/HD 650 SX PLUS *EU (1.150-401.0)/Spare parts list HD 650SX *EUR 230V,1 PH/50 Electric control box

Rez.daļas/nodil.pakļ.daļas	Poz.	Materiāla Nr.	Nosaukums	Daudzums	Pārdoš. vienība	no sēr. Nr..	līdz sēr. Nr.
	1	7.303-031.0	screw	1.000	ST	0000000000	0000000000
	2	5.365-181.0	Gasket	1.000	ST	0000000000	0000000000
X-X	4	4.744-158.0	Switch	1.000	ST	0000000000	0000000000
	5	6.273-070.0	Seal string cellular rubber 4	1.000	M	0000000000	0000000000
	8	5.060-941.0	Housing	1.000	ST	0000000000	0000000000
	9	6.303-153.0	Screw M5x15-ST-R2R (IN6RD)	3.000	ST	0000000000	0000000000
X	10	6.661-298.0	Kondensators 30 mF	1.000	ST	0000000000	0000000000
	12	6.649-944.0	Cable with plug CH	1.000	ST	0000000000	0000000000
Pozīcijas teksts: / 1.150-202.0							
	12	6.647-978.0	Cable with plug	1.000	ST	0000000000	0000000000
Pozīcijas teksts: / 1.150-201.0 / -401.0 / -411.0							
	12	6.648-036.0	Cable with plug	1.000	ST	0000000000	0000000000
Pozīcijas teksts: / 1.150-204.0							
	12	6.648-037.0	Cable with plug *AU	1.000	ST	0000000000	0000000000
Pozīcijas teksts: / 1.150-203.0							
	13	7.303-108.0	Skrūve 5x20 -10.9-R2R (In6Rd)	4.000	ST	0000000000	0000000000
	14	6.343-170.0	Retaining clip	1.000	ST	0000000000	0000000000