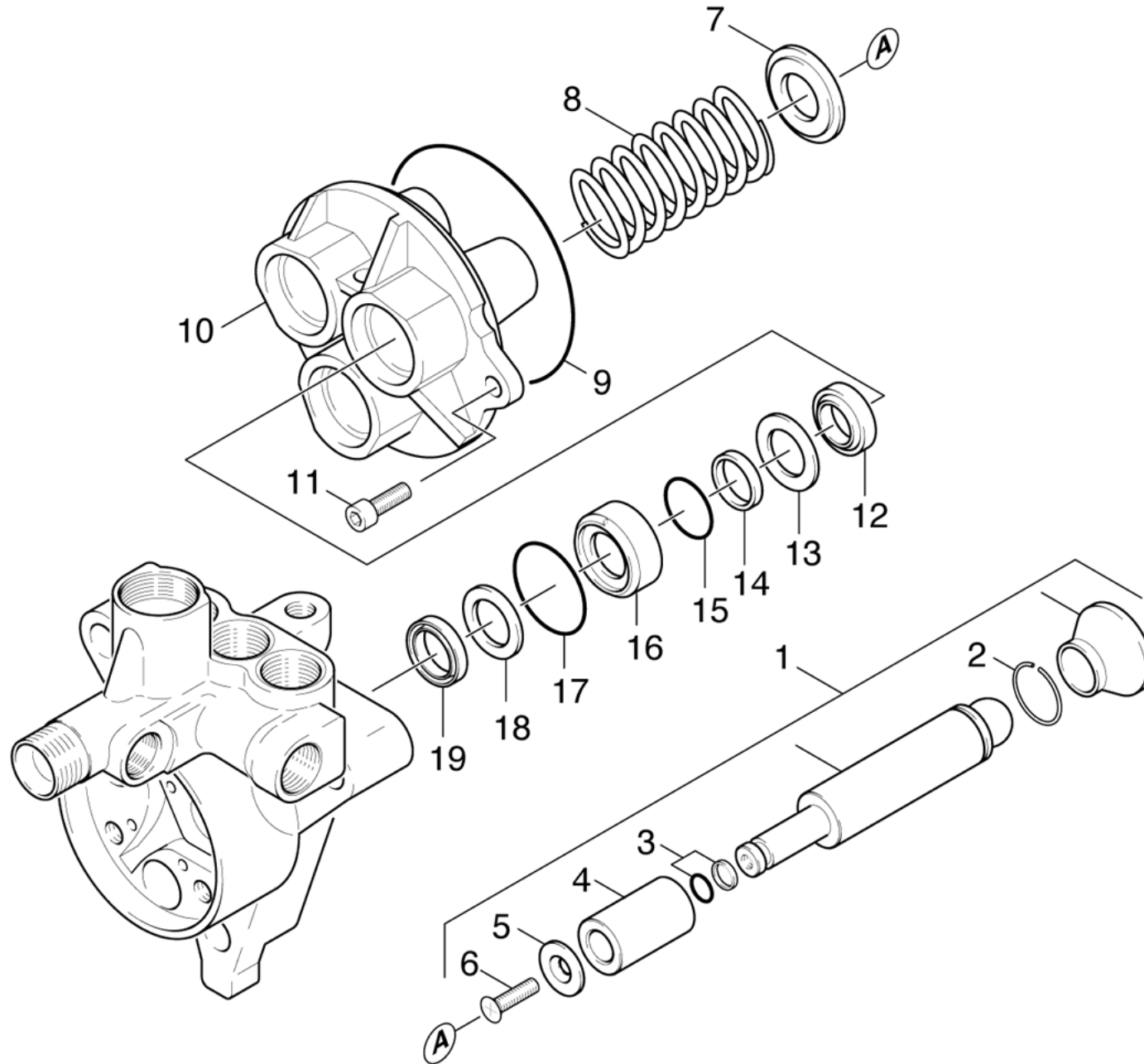


21 Piston

Professional \ High pressure cleaner hotwater \ Electric motor \ HDS 801 E - 12 KW \ Spare parts list HDS 801 E \ Pump set \ Piston



21 Piston

Professional \ High pressure cleaner hotwater \ Electric motor \ HDS 801 E - 12 KW \ Spare parts list HDS 801 E \ Pump set \ Piston

KÄRCHER

POS	Article no.	Description	Quantity	Unit
16	5.112-346.0	Bush	3	PC
6	6.305-004.0	Countersunk screw M 5X 20-A2-70-sw	3	PC
11	7.306-042.0	Cylinder head screw M8x25 -8.8-A2E ISO4	2	PC
19	6.365-330.0	Grooved ring	3	PC
12	6.365-052.0	Grooved ring 20X28X6/8	3	PC
8	5.332-150.0	Helical spring	3	PC
10	5.060-261.0	Housing	1	PC
14	5.363-232.0	Joint ring	3	PC
15	6.362-614.0	O-Ring seal 21,0 X 4,0-FPM 83 VITON	3	PC
17	6.363-607.0	O-Ring seal 34,65 x 1,78 -NBR70	3	PC
9	6.362-448.0	O-Ring seal 100,0 X 1,78	1	PC
3	6.362-365.0	O-Ring seal complete 1ST.-R.- 7,65X 1,7	3	PC
1	4.553-099.0	Piston complete	3	PC
100	2.883-446.0	Pump set HDS 801 E	1	PC
4	5.110-220.3	Sleeve ceramic	3	PC
2	6.472-331.0	Snap ring 20	3	PC
5	5.116-076.0	Washer	3	PC
7	5.115-289.0	Washer	3	PC
13	5.115-409.0	Washer	3	PC
18	5.115-435.0	Washer	3	PC