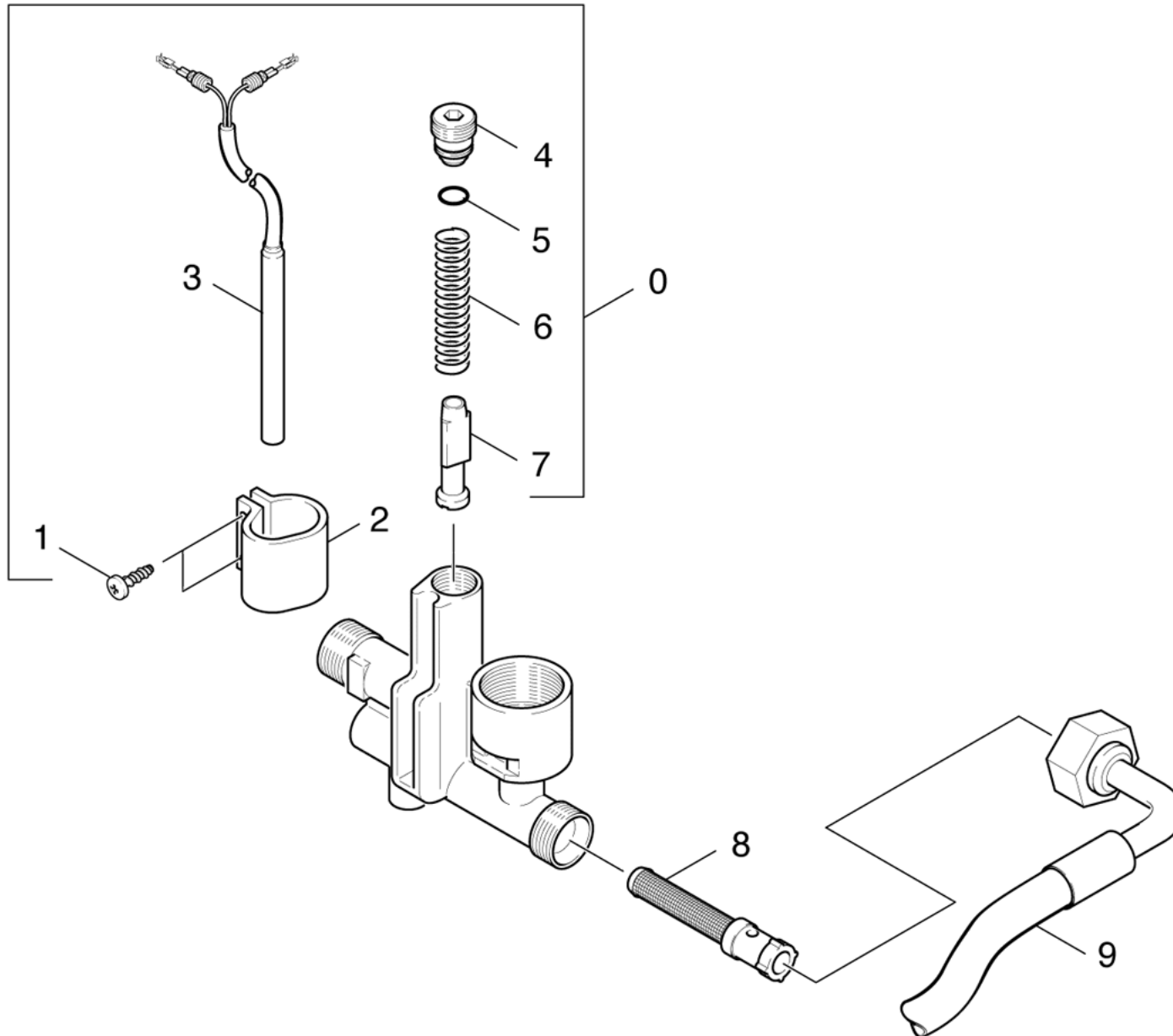


92 Reed switch

Professional \ High pressure cleaner hotwater \ Electric motor \ HDS 695 *EU \ Spare parts list HDS 695 \ Safety system \ Reed switch



92 Reed switch

Professional \ High pressure cleaner hotwater \ Electric motor \ HDS 695 *EU \ Spare parts list HDS 695 \ Safety system \ Reed switch

POS	Article no.	Description	Quantity	Unit
2	5.041-076.0	Clamp	1	PC
6	5.332-057.0	Helical spring	1	PC
9	6.389-537.0	High pressure hose DN 8	1	PC
1	6.303-122.0	M4 .2X13 DIN 7981 TORX T15 PAN HD HI/LO	1	PC
5	6.362-482.0	O-Ring seal 10 x 1,5-NBR 70	1	PC
7	4.553-022.0	Piston	1	PC
3	2.883-338.0	Reed switch replacement	1	PC
0	4.749-110.0	Safety system	1	PC
4	5.305-162.0	Shaped screw	1	PC
8	6.414-327.0	Strainer	1	PC