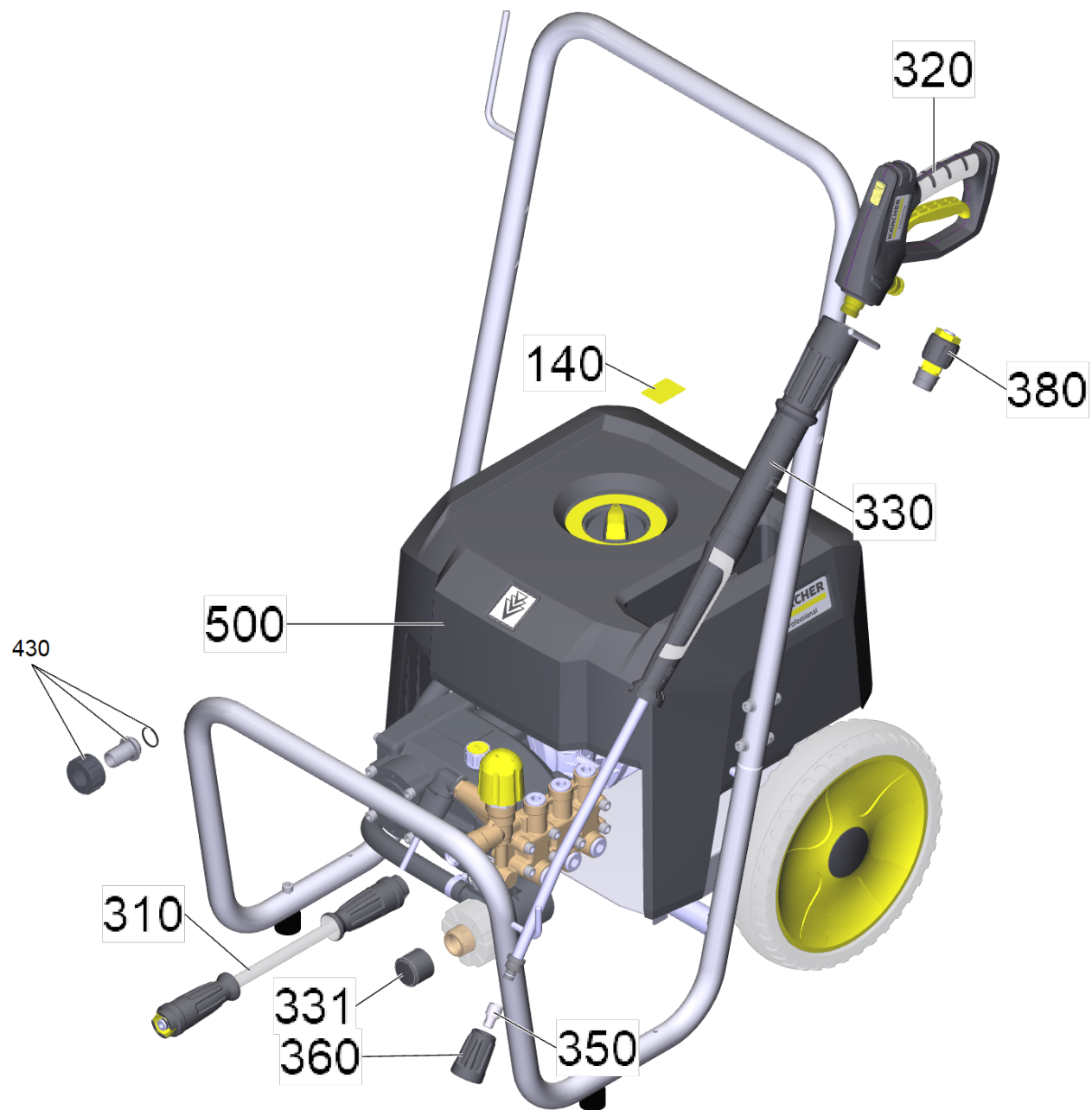


Spare parts list

(1.367-404.0) HD 17/15-4 S Classic

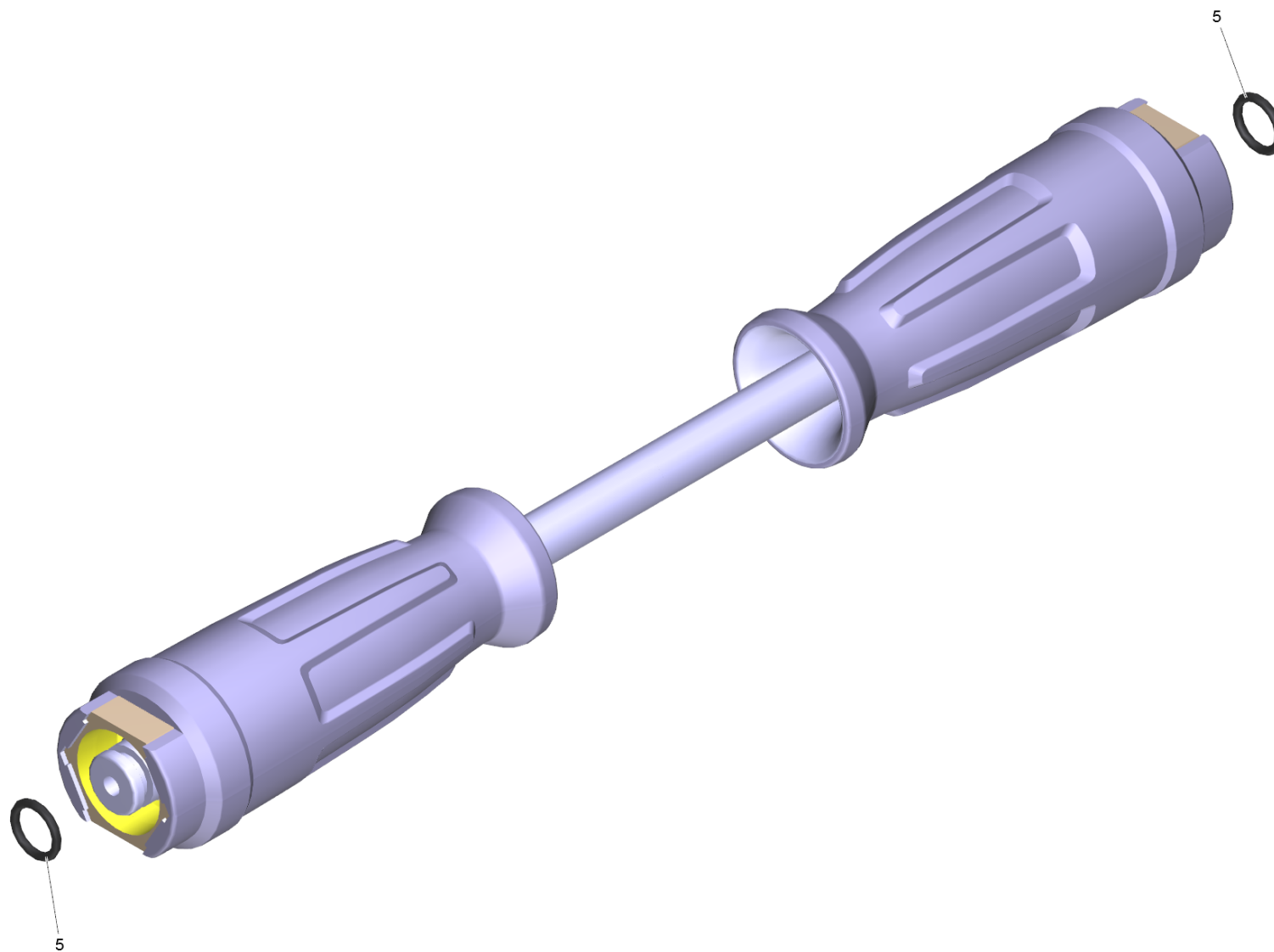
Table of contents

HD 17/15-4 S Classic (1.367-404.0)	3
310 Hose assembly TR DN10 max.25MPa 10m (6.110-041.0)	5
330 Jet pipe TR 840 mm (4.112-006.0)	7
380 Rotating coupler TR only for replacement (4.111-021.0)	9
430 Set water connection 1 " (2.640-492.0)	11
500 Unit (2.010-019.0) HD 10/21-4 S Classic	13
100 Platform HD-S Classic	15
10 Frame complete HD Purist	17
500 Pump set HD 17/15-4 S EU ET3RW1628	19
2010 Transmission hallow W 16 28 (4.624-502.3)	21
2040 Pump cpl. ET3 1700l/h	23
2020 Crankcase complete ET3 1700l/h (4.626-019.3)	25
2030 Cylinder head complete pressure switch E (4.550-078.3)	27
2311 Valve complete (4.580-594.0)	29
2050 Filter cpl. WCM (4.730-009.3)	31
2503 Connection piece water intake cpl. (4.101-076.0)	33
2551 Filter cartridge (4.370-000.0)	34
2060 Electric control box	35



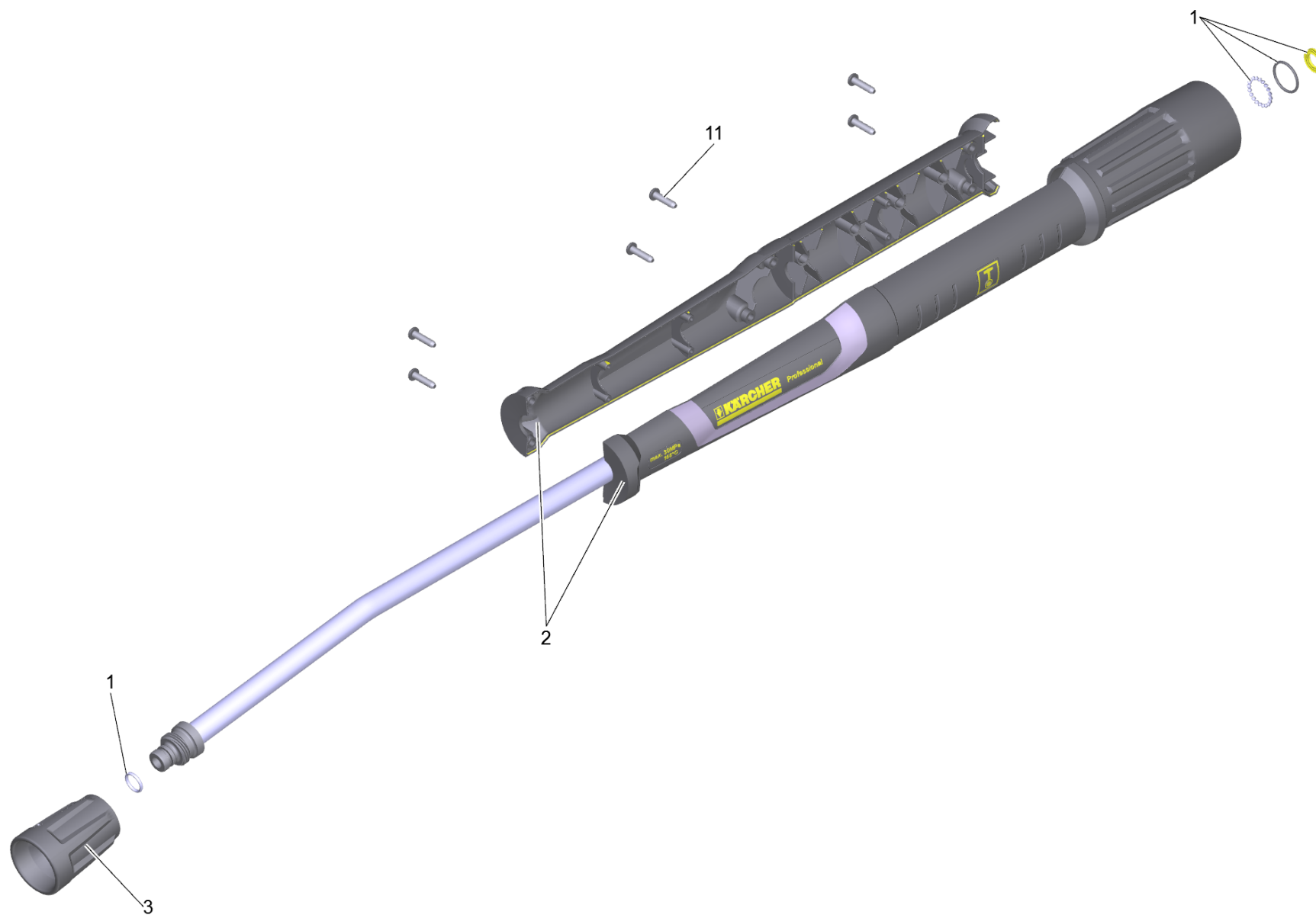
HD 17/15-4 S Classic (1.367-404.0)

POS	Article no.	Description	Quantity	Unit
310	6.110-041.0	Hose assembly TR DN10 max.25MPa 10m	1	PC
330	4.112-006.0	Jet pipe TR 840 mm	1	PC
320	4.119-002.0	Pistol Classic TR 155°C	1	PC
350	2.113-082.0	Power nozzle TR 25105	1	PC
331	6.368-080.0	Protecting cap	1	PC
360	4.112-011.0	Protection part TR only for replacement	1	PC
380	4.111-021.0	Rotating coupler TR only for replacement	1	PC
430	2.640-492.0	Set water connection 1 "	1	PC
500		Unit (2.010-019.0) HD 10/21-4 S Classic	1	PC
140	5.387-620.0	Warning sign new	1	PC



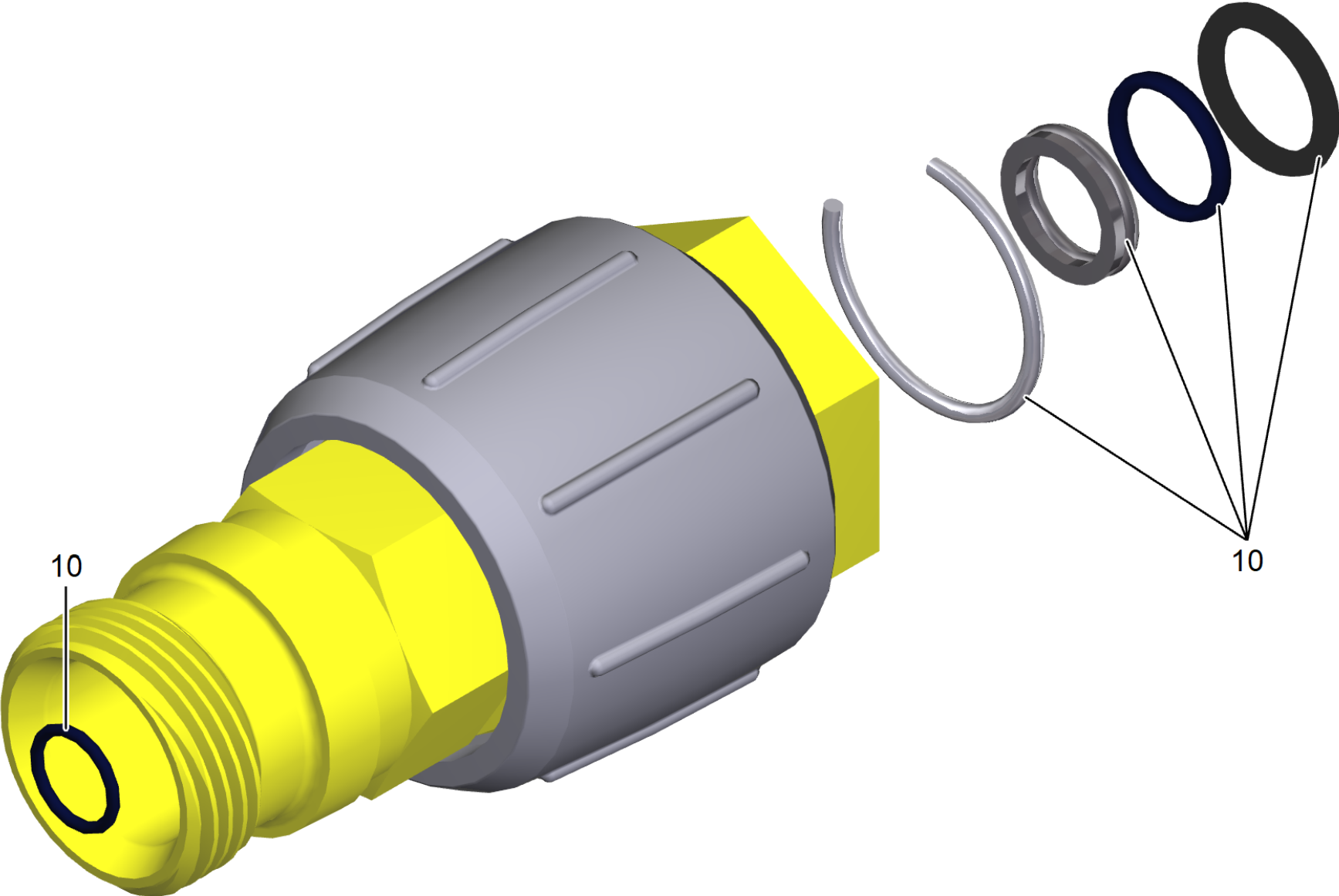
310 Hose assembly TR DN10 max.25MPa 10m (6.110-041.0)

POS	Article no.	Description	Quantity	Unit
5	2.880-154.0	O-Ring kit	1	PC



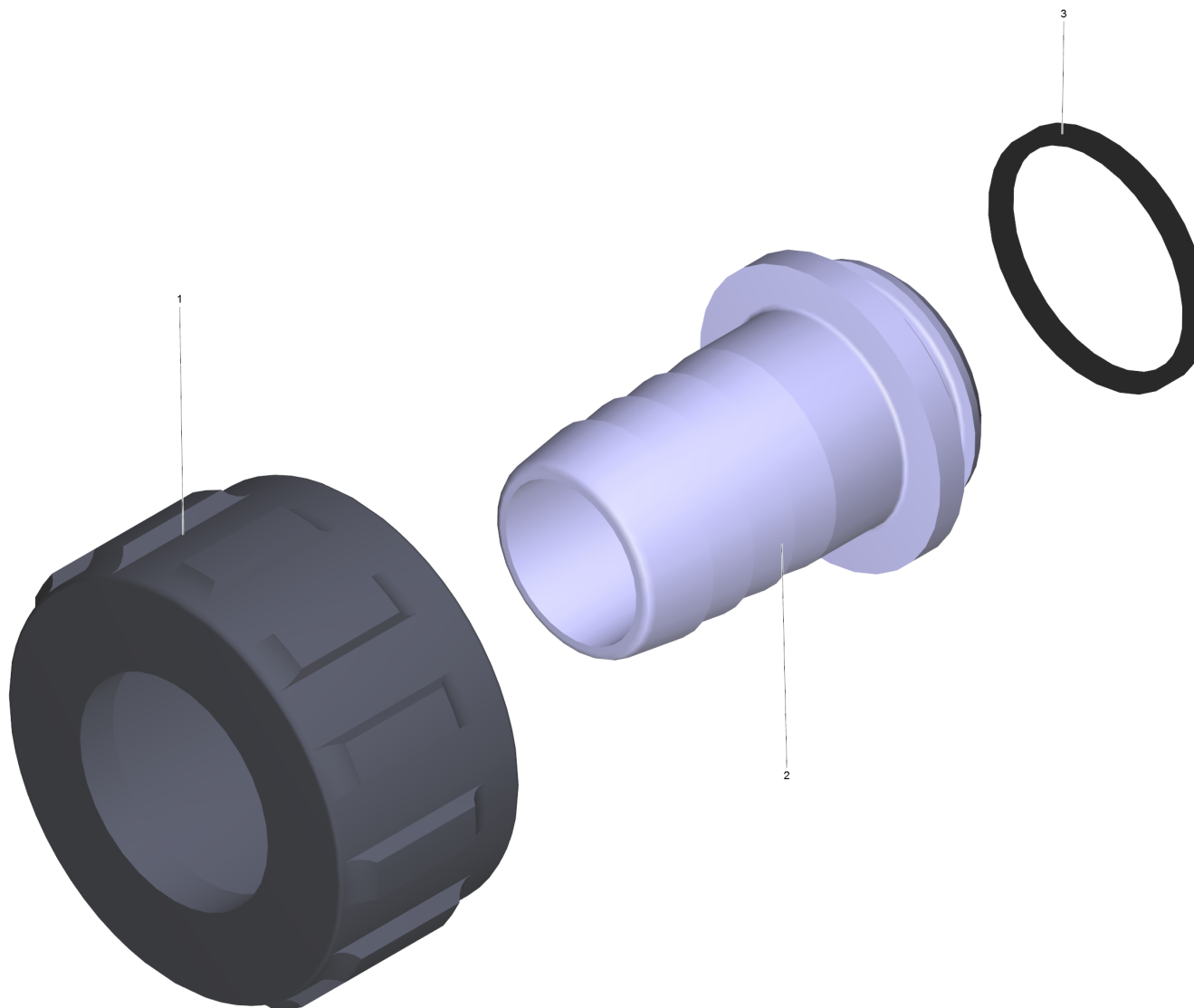
330 Jet pipe TR 840 mm (4.112-006.0)

POS	Article no.	Description	Quantity	Unit
2	5.321-018.3	Handle bowl jet pipe only for replacemen	1	PC
3	4.112-011.0	Protection part TR only for replacement	1	PC
11	7.303-129.0	Screw 4x16-10.9-R2R (K-In6Rd)	6	PC
1	4.100-688.0	Spare part set seal TR	1	PC



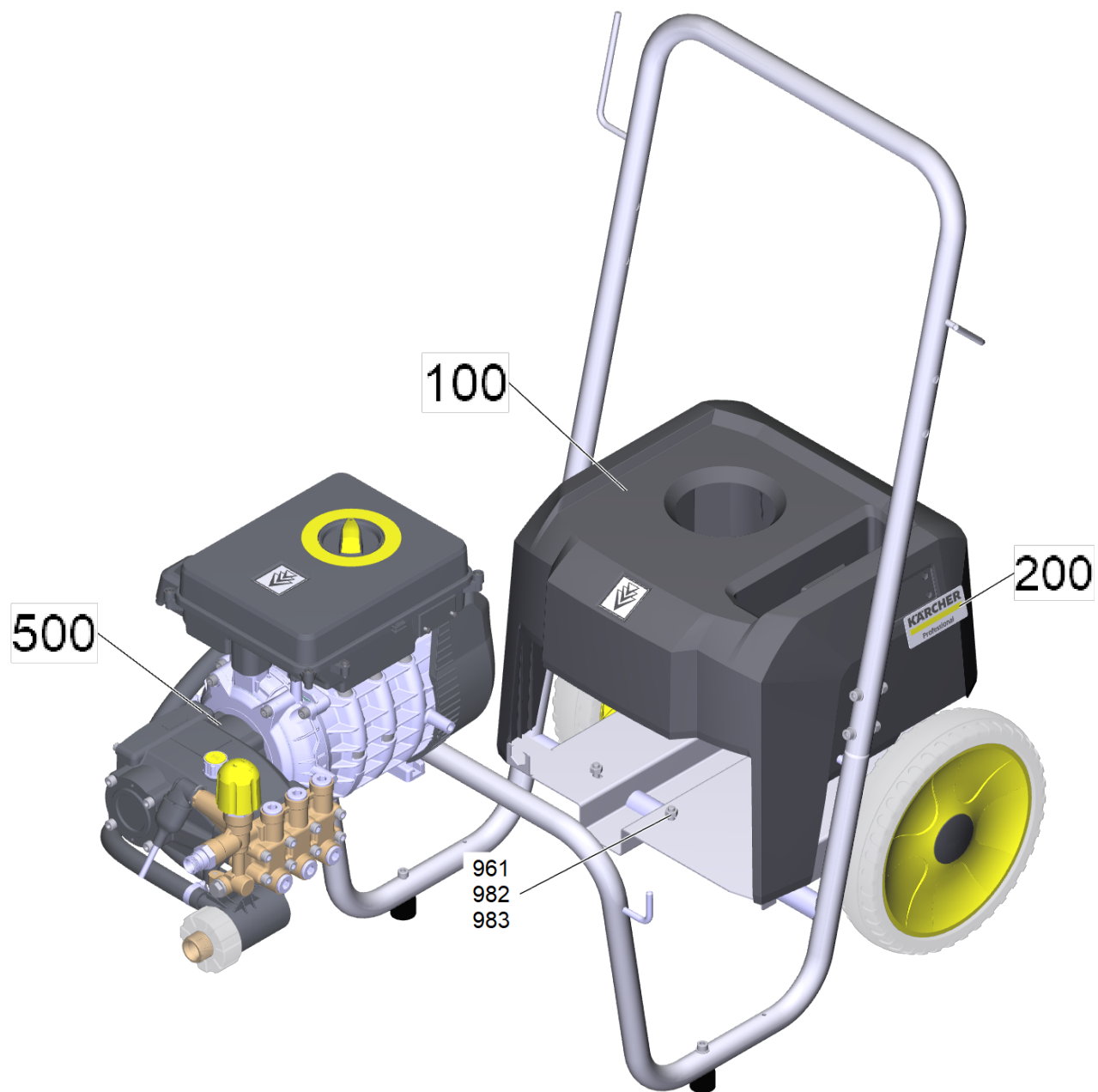
380 Rotating coupler TR only for replacement (4.111-021.0)

POS	Article no.	Description	Quantity	Unit
10	4.101-115.0	Set of gaskets	1	PC



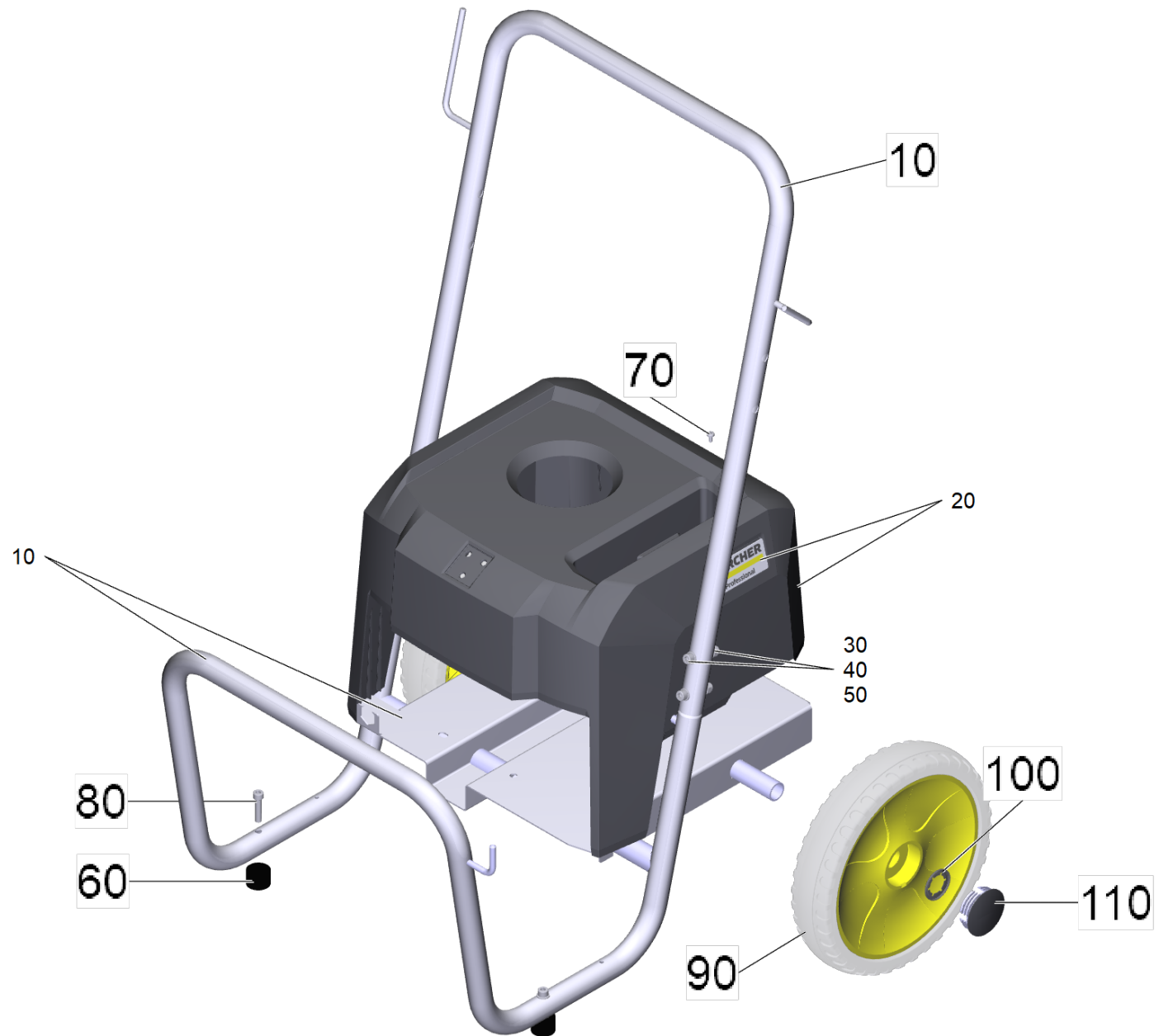
430 Set water connection 1 " (2.640-492.0)

POS	Article no.	Description	Quantity	Unit
2	5.443-291.0	Hose stem	1	PC
1	5.310-076.0	Nut	1	PC
3	6.362-161.0	O-Ring seal 19,3 X 2,4	1	PC



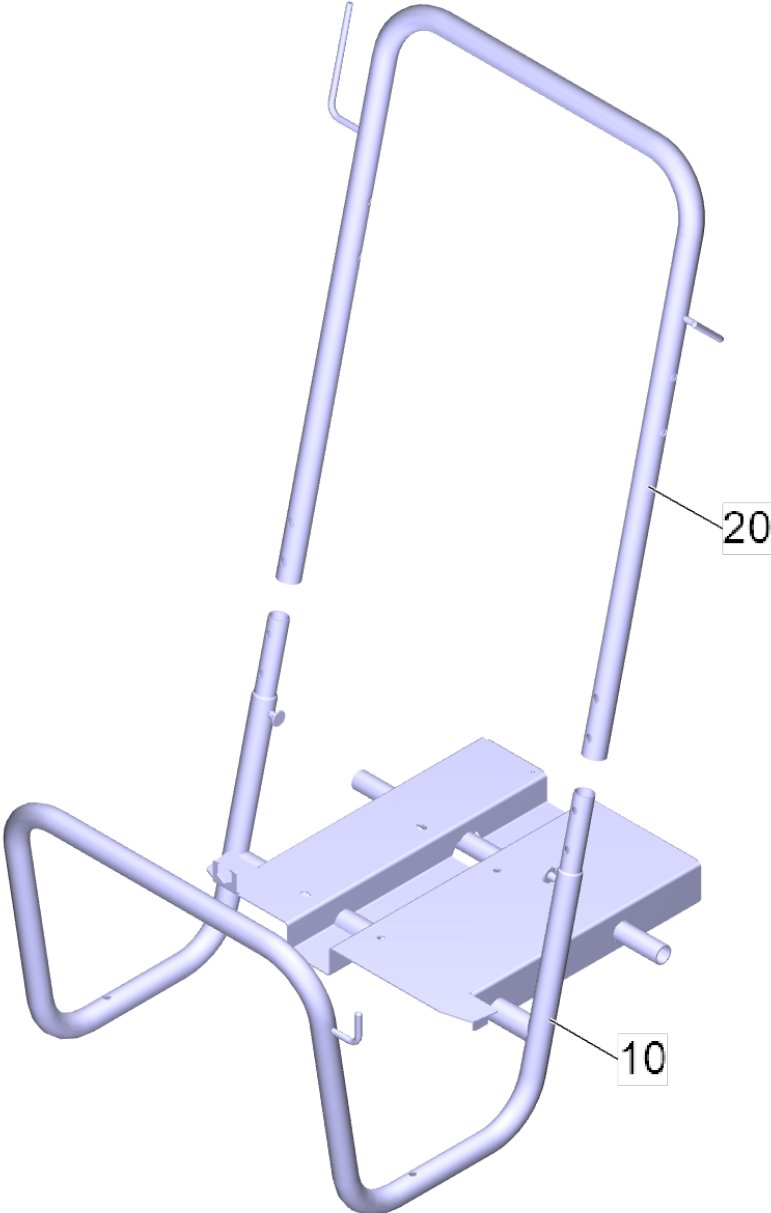
500 Unit (2.010-019.0) HD 10/21-4 S Classic

POS	Article no.	Description	Quantity	Unit
982	7.306-144.0	Cylinder head screw M 8x20-A2-70 ISO 47	4	PC
961	7.311-004.0	Hexagon nut M8 -8-A3E ISO 4032	4	PC
200	5.385-502.0	Label logo clipped L Professional	2	PC
100		Platform HD-S Classic	1	PC
500		Pump set HD 17/15-4 S EU ET3RW1628	1	PC
983	7.312-004.0	Washer 8 -200HV-A3E ISO 7089	3	PC



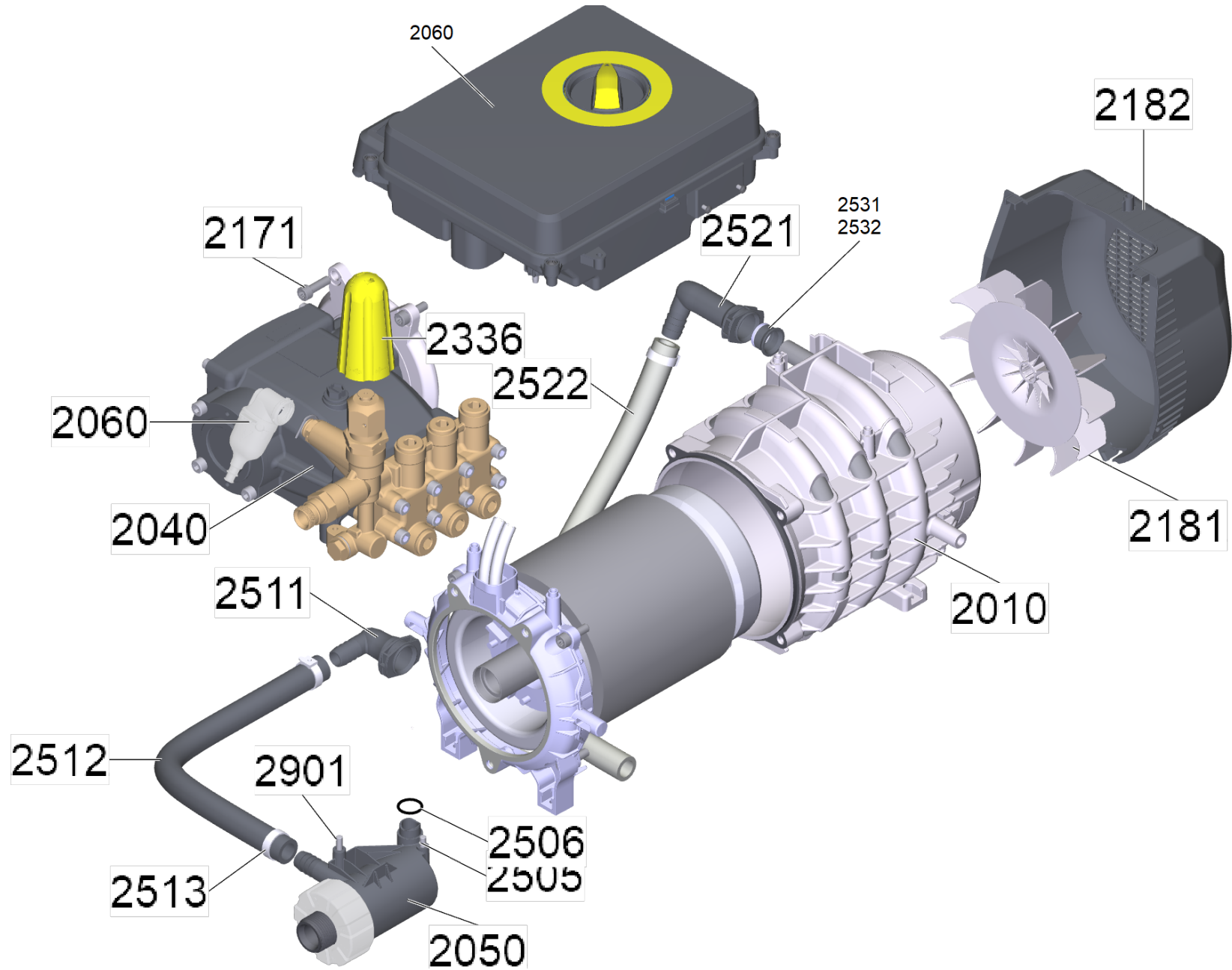
100 Platform HD-S Classic

POS	Article no.	Description	Quantity	Unit
20	4.101-068.0	Cover cpl.	1	PC
80	7.306-019.0	Cylinder head screw M8x35 -A4-70 ISO 47	2	PC
30	7.306-049.0	Cylinder head screw M 8x45-8.8-A2E ISO	4	PC
10		Frame complete HD Purist	1	PC
50	7.311-510.0	Hexagon nut M8-8-A2E ISO 7040	4	PC
100	6.343-162.0	Lock washer -25	2	PC
60	6.339-081.0	Rubber buffer D30X20	2	PC
70	7.306-077.0	Screw M5x16 -8.8-R2R (In6Rd)	2	PC
110	2.889-086.0	Set wheel cap	1	PC
40	7.312-004.0	Washer 8 -200HV-A3E ISO 7089	10	PC
90	4.515-344.0	Wheel complete	2	PC



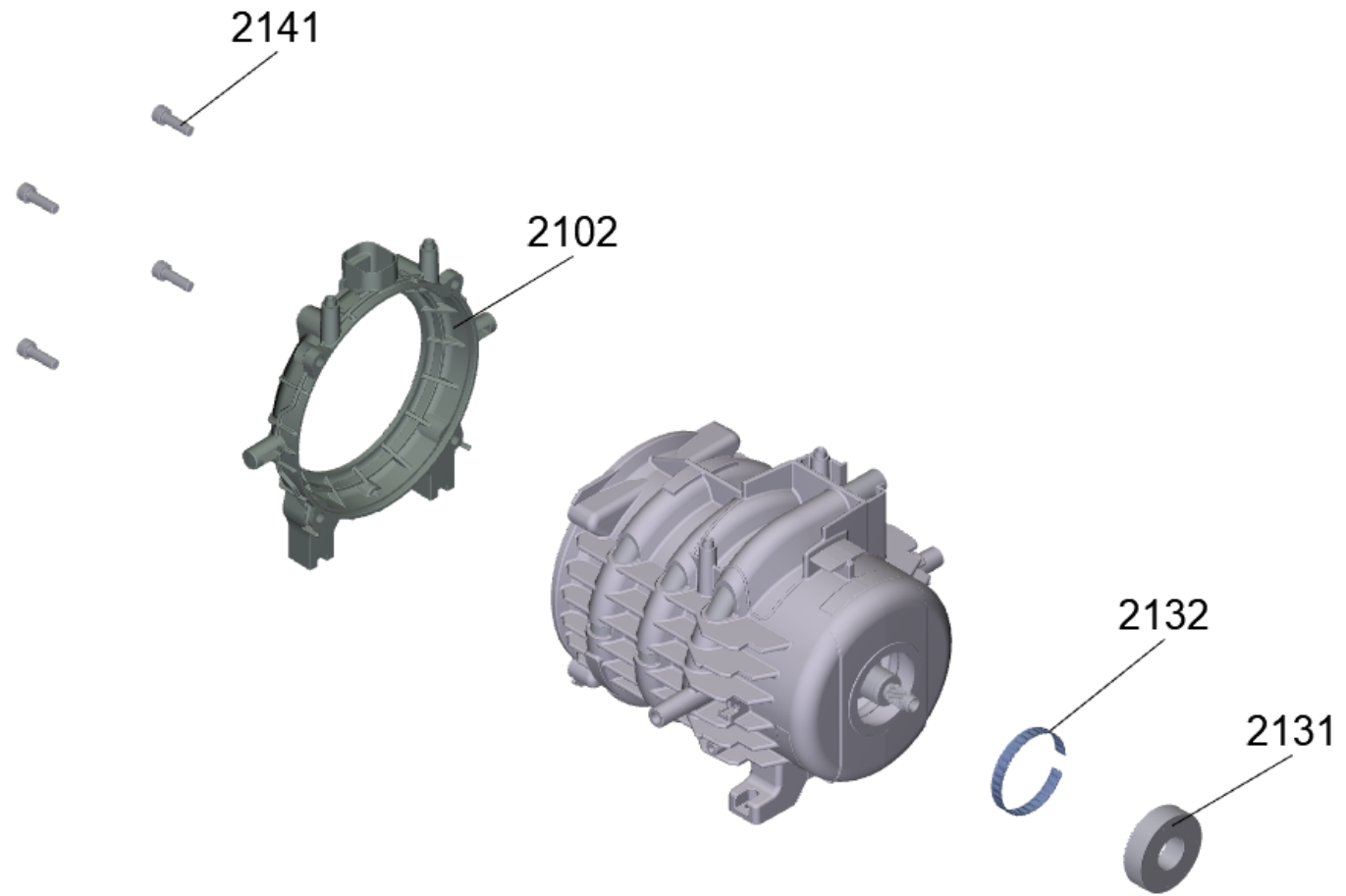
10 Frame complete HD Purist

POS	Article no.	Description	Quantity	Unit
10	4.050-307.0	Bottom frame complete	1	PC
20	4.034-281.0	Handle complete	1	PC



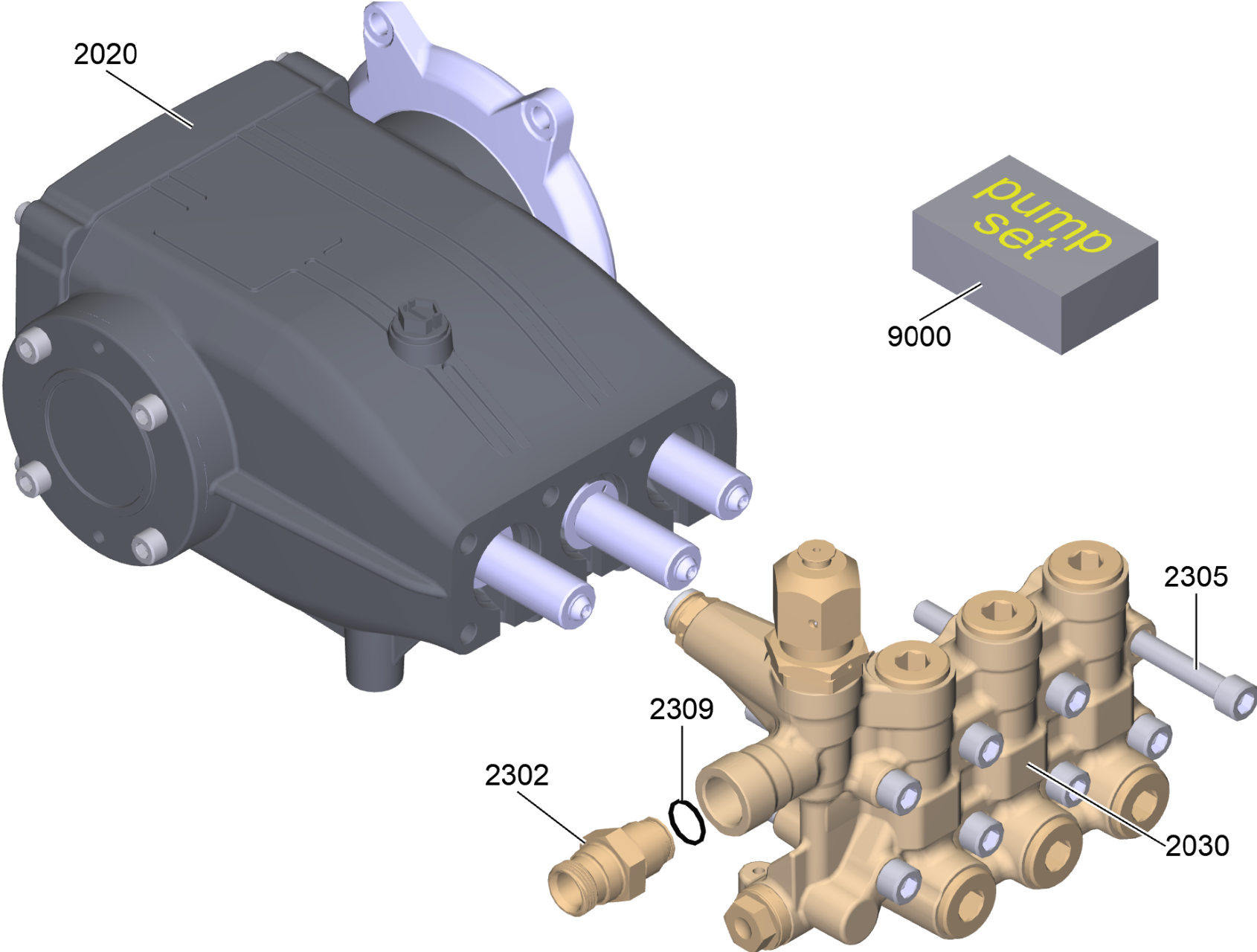
500 Pump set HD 17/15-4 S EU ET3RW1628

POS	Article no.	Description	Quantity	Unit
2182	5.692-035.3	Air circulation W 15/16	1	PC
2181	5.600-053.3	Blower wheel D186	1	PC
2513	6.641-474.0	Cable tape 8-210	4	PC
2505	7.306-025.0	Cylinder head screw M 6x35-8.8-A2E ISO4	1	PC
2901	7.306-032.0	Cylinder head screw M 6x70-8.8-A2E DIN	1	PC
2171	7.306-166.0	Cylinder head screw M8x25 -8.8-A2E ISO 14579	3	PC
2060		Electric control box	1	PC
2050	4.730-009.3	Filter cpl. WCM	1	PC
2336	5.322-494.3	Handle long	1	PC
2512	6.388-719.0	Hose DN17	0,43	m
2522	6.388-719.0	Hose DN17	1,07	m
2511	5.427-415.0	Manifold	1	PC
2521	5.427-129.0	Manifold long	1	PC
2532	6.362-579.0	O-Ring seal 17,5 X 3,5	2	PC
2506	6.363-201.0	O-Ring seal 18,5 x 2,5 NBR-70	1	PC
2040		Pump cpl. ET3 1700l/h	1	PC
2531	5.110-341.0	Sleeve	2	PC
2010	4.624-502.3	Transmission hallow W 16 28	1	PC



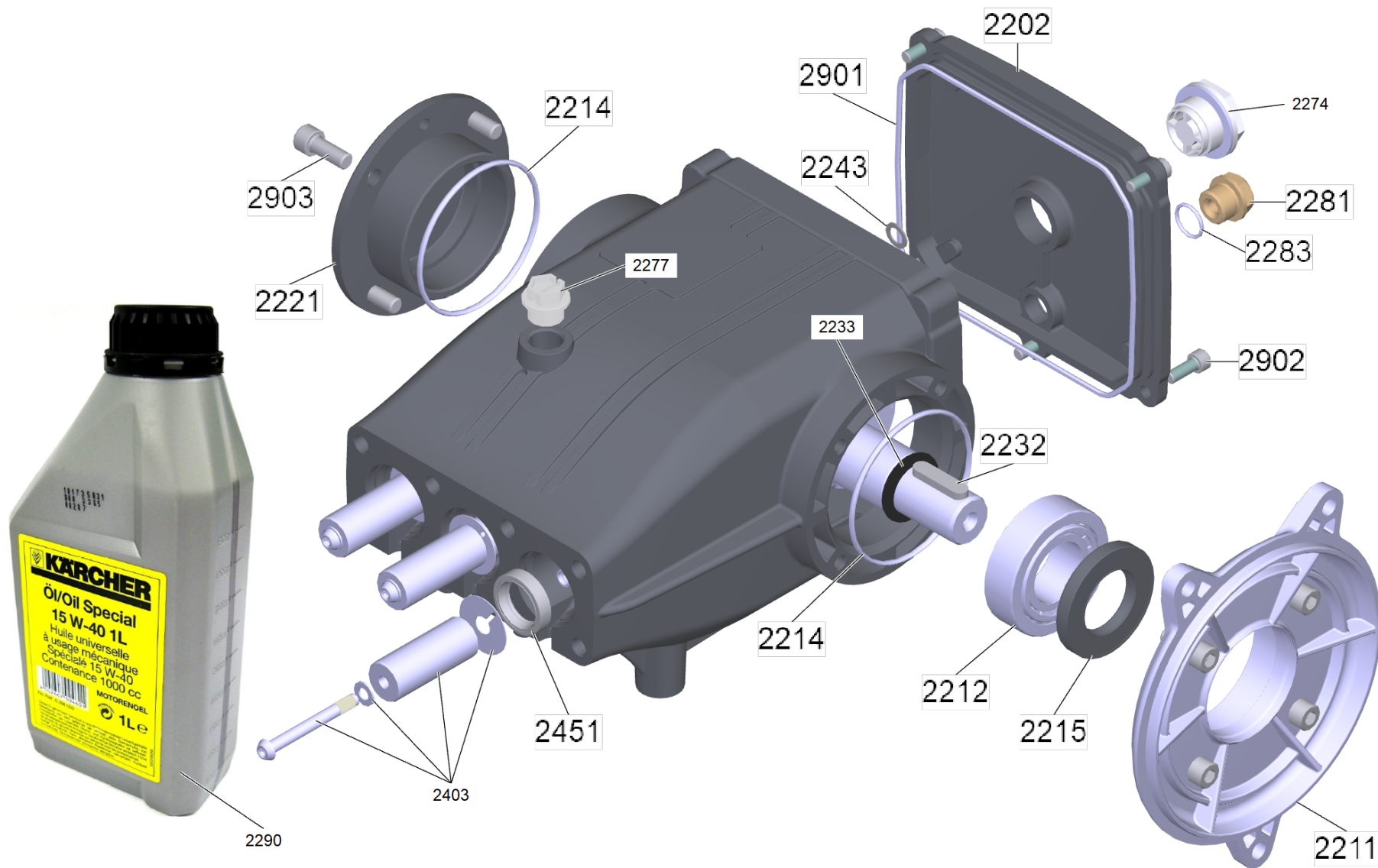
2010 Transmission hallow W 16 28 (4.624-502.3)

POS	Article no.	Description	Quantity	Unit
2131	6.401-253.0	Ball bearing 6305-2Z	1	PC
2141	7.306-166.0	Cylinder head screw M8x25 -8.8-A2E ISO 14579	4	PC
2102	5.093-429.0	Motor flange 15/16	1	PC
2132	6.343-010.0	Tolerance ring 62x10	1	PC



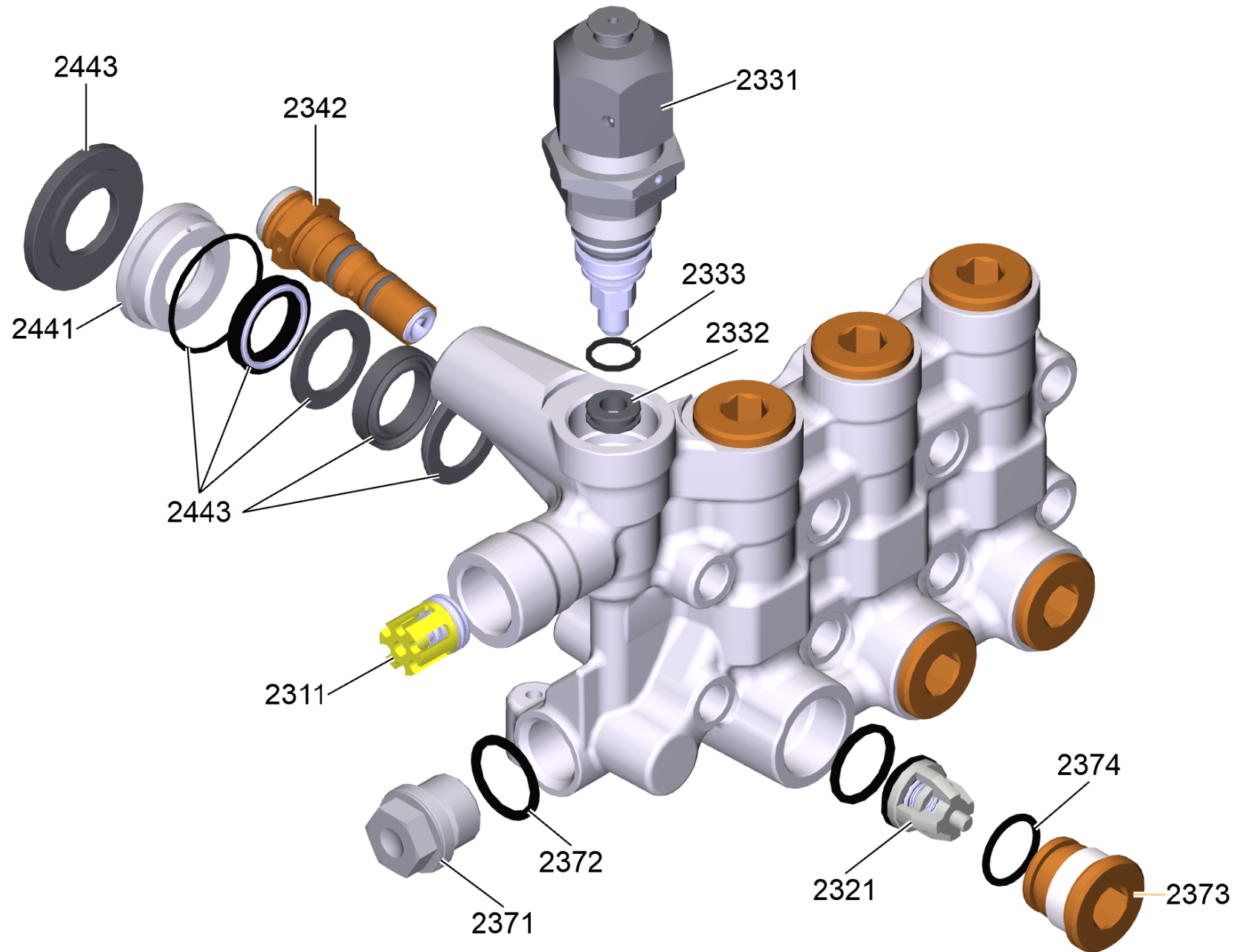
2040 Pump cpl. ET3 1700l/h

POS	Article no.	Description	Quantity	Unit
2020	4.626-019.3	Crankcase complete ET3 1700l/h	1	PC
2030	4.550-078.3	Cylinder head complete pressure switch E	1	PC
2305	6.304-075.0	Cylinder head screw M10x75 10.9	8	PC
2309	9.760-107.0	O-Ring seal 16 x 2 - NBR 80 (9.081-406)	1	PC
9000	4.101-149.0	Pump set HD-S Cl. ET3	1	PC
2302	9.761-526.0	Screw plug high-pressure outlet	1	PC



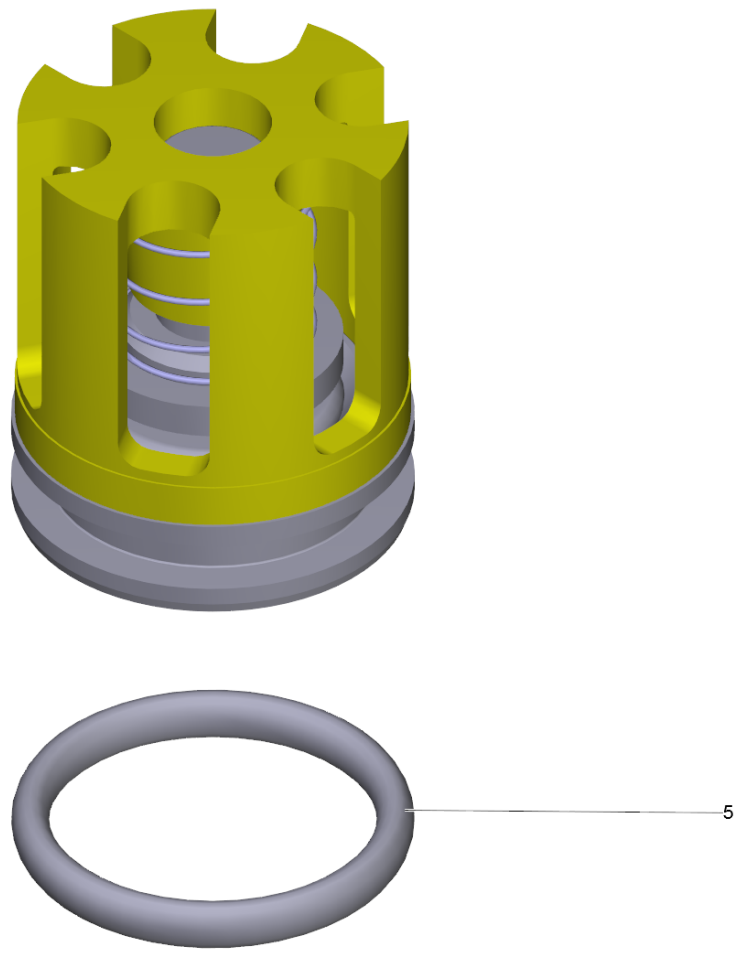
2020 Crankcase complete ET3 1700l/h (4.626-019.3)

POS	Article no.	Description	Quantity	Unit
2221	5.064-581.0	Blind flange ET3	1	PC
2202		Covering cap rear ET3	1	PC
2902	7.306-020.0	Cylinder head screw M6x16-8.8-A2E DIN 912	5	PC
2903	7.306-041.0	Cylinder head screw M8x20 -8.8-A2E ISO	8	PC
2281	9.761-057.0	Drain plug G 3/8"	1	PC
2290	6.288-050.0	Engine oil 1L	1	PC
2243	6.343-125.0	Lock washer	6	PC
2901	6.363-257.0	O-Ring seal	1	PC
2283	6.362-395.0	O-Ring seal 14,0 X 1,78-NBR 70	1	PC
2233	6.363-328.0	O-Ring seal 23.16x5.33	1	PC
2214	6.362-887.0	O-Ring seal 65,0 X 2,5	2	PC
2274	9.761-093.0	Oil inspection glass G3/4"	1	PC
2232	7.318-042.0	Parallel key 8x7x32-C45K DIN 6885	1	PC
2403	4.101-093.0	Piston cpl. 3 piece D20	3	PC
2277	9.761-268.0	Plug	3	PC
2211	5.093-433.0	Pump flange ET3	1	PC
2451	7.367-000.0	Radial shaft seal ring A20x30x7-NBR DIN	3	PC
2215	6.100-476.0	Seal crankshaft only for replacement	1	PC
2212		Taper roller bearing 32206 ET3	2	PC



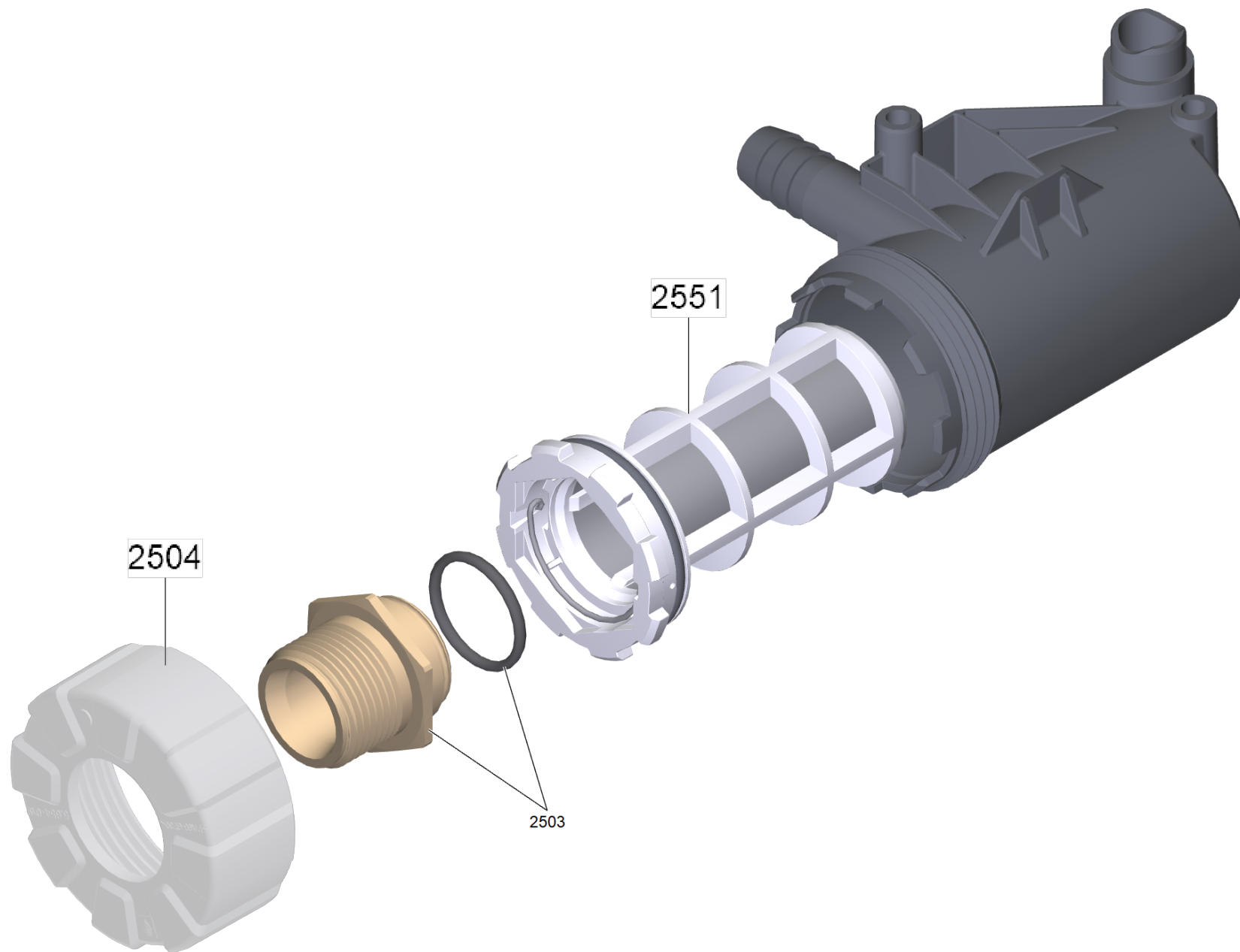
2030 Cylinder head complete pressure switch E (4.550-078.3)

POS	Article no.	Description	Quantity	Unit
2441	5.112-778.0	Bush	3	PC
2342	4.580-189.3	Control piston cpl.	1	PC
2331	4.101-139.0	Excess-current with seat DN8	1	PC
2372	7.362-023.0	Joint ring A21x26 -Cu DIN 7603	1	PC
2333	6.363-244.0	O-Ring seal 12.42x1.78	1	PC
2901	6.362-496.0	O-Ring seal 17,12X 2,62-NBR 70	6	PC
2374	9.762-944.0	O-ring seal 18x2.2 NBR80	6	PC
2321	4.101-091.0	Pressure valve 3 piece	2	PC
2371	7.382-141.0	Screw plug G 1/2Ax14-CuZn DIN 910	1	PC
2332	9.761-055.0	Seat DN 8	1	PC
2443	4.101-090.0	Set of gaskets cpl. ET3	3	PC
2311	4.580-594.0	Valve complete	1	PC
2373	5.583-024.3	Valve screw ET3	6	PC



2311 Valve complete (4.580-594.0)

POS	Article no.	Description	Quantity	Unit
5	6.362-381.0	O-Ring seal 13x2 - NBR 70	1	PC



2050 Filter cpl. WCM (4.730-009.3)

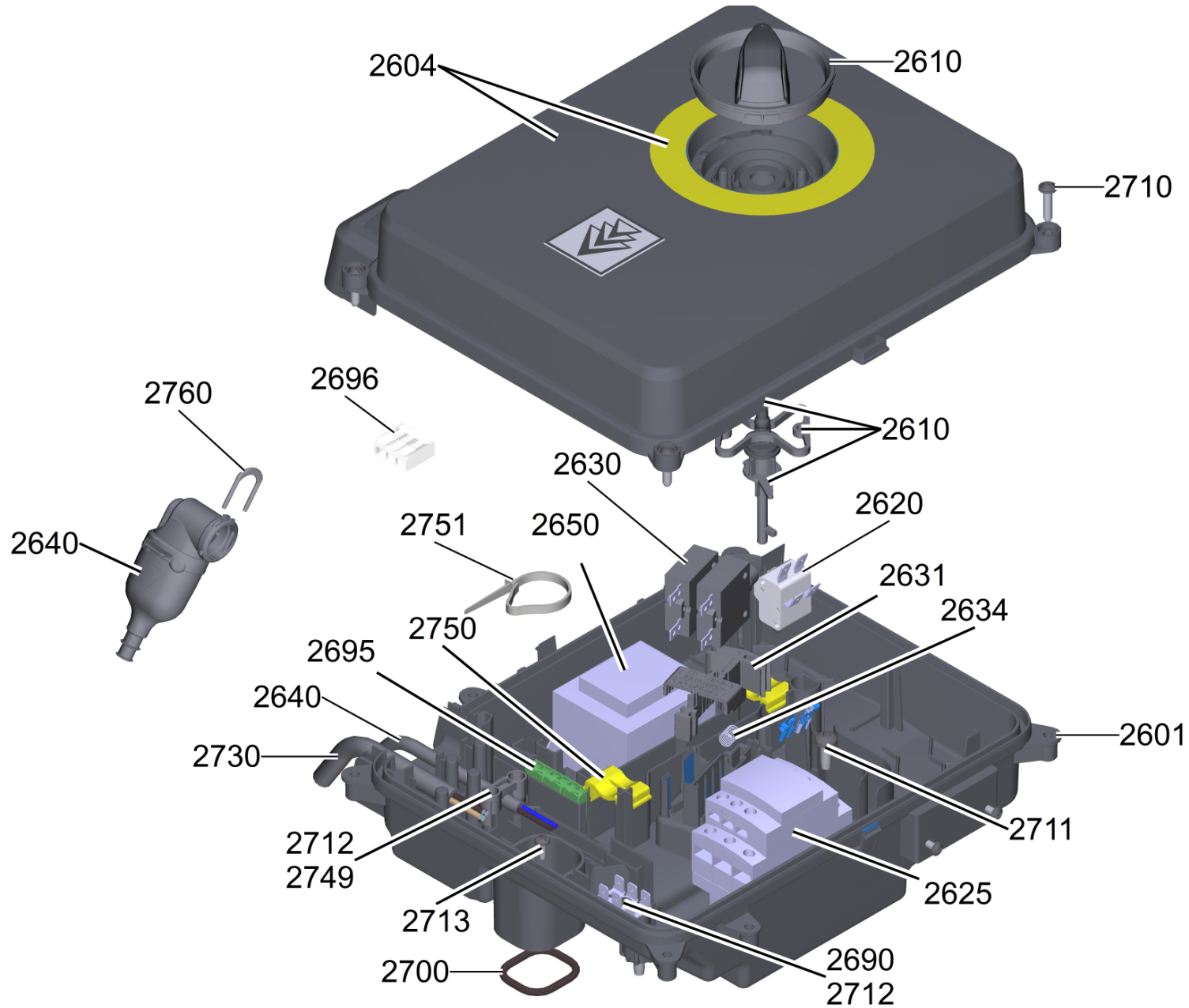
POS	Article no.	Description	Quantity	Unit
2503	4.101-076.0	Connection piece water intake cpl.	1	PC
2551	4.370-000.0	Filter cartridge	1	PC
2504	5.654-019.0	Nut water intake	1	PC

2503 Connection piece water intake cpl. (4.101-076.0)

POS	Article no.	Description	Quantity	Unit
2	6.362-604.0	O-Ring seal 27,0 X 3,0	1	PC

2551 Filter cartridge (4.370-000.0)

POS	Article no.	Description	Quantity	Unit
2509	6.363-090.0	O-Ring seal 47,29 X 2,62 K7..MX	1	PC



2060 Electric control box

POS	Article no.	Description	Quantity	Unit
2751	6.641-458.0	Cable tape nature 4,6x150mm	1	PC
2730	6.651-879.3	Cable with plug 4x1,5mm ²	1	PC
2625	6.632-414.3	Contacteur LC1-D18V7SC090	1	PC
2650	6.622-303.3	Control transformer for replacement	1	PC
2604	4.064-076.3	Cover plate complete	1	PC
2610	4.101-072.0	Handle cpl.	1	PC
2634	5.332-259.0	Helical spring	1	PC
2750	5.802-307.0	Holder cable	2	PC
2601	5.060-153.3	Housing electric control box	1	PC
2620	6.961-079.3	Micro switch	1	PC
2700	6.362-193.0	O-Ring seal 31,5x4	1	PC
2690	6.641-270.0	Plug	1	PC
2760	5.034-494.0	Retaining bracket	1	PC
2630	6.630-995.3	Safety switch (20A)	2	PC
2712	7.303-106.0	Screw 4x12 -10.9-R2R (In6RD)	5	PC
2710	7.303-108.0	Screw 5x20 -10.9-R2R (In6Rd)	5	PC
2713	7.303-031.0	Screw M4x10 -St-P2R (In6Rd)	1	PC
2711	7.303-047.0	Screw M6x16 -St-R3R (In6Rd)	4	PC
2631	5.045-071.0	Slider E-T-A	1	PC
2696	6.644-719.0	Strip terminal 3 connections 0,5 - 6 mm ²	1	PC
2640	4.744-025.0	Switch complete	1	PC
2749	5.263-011.3	Tensioning part	1	PC
2695	6.644-628.0	Terminal clamp 2 WAGO 221-412	3	PC