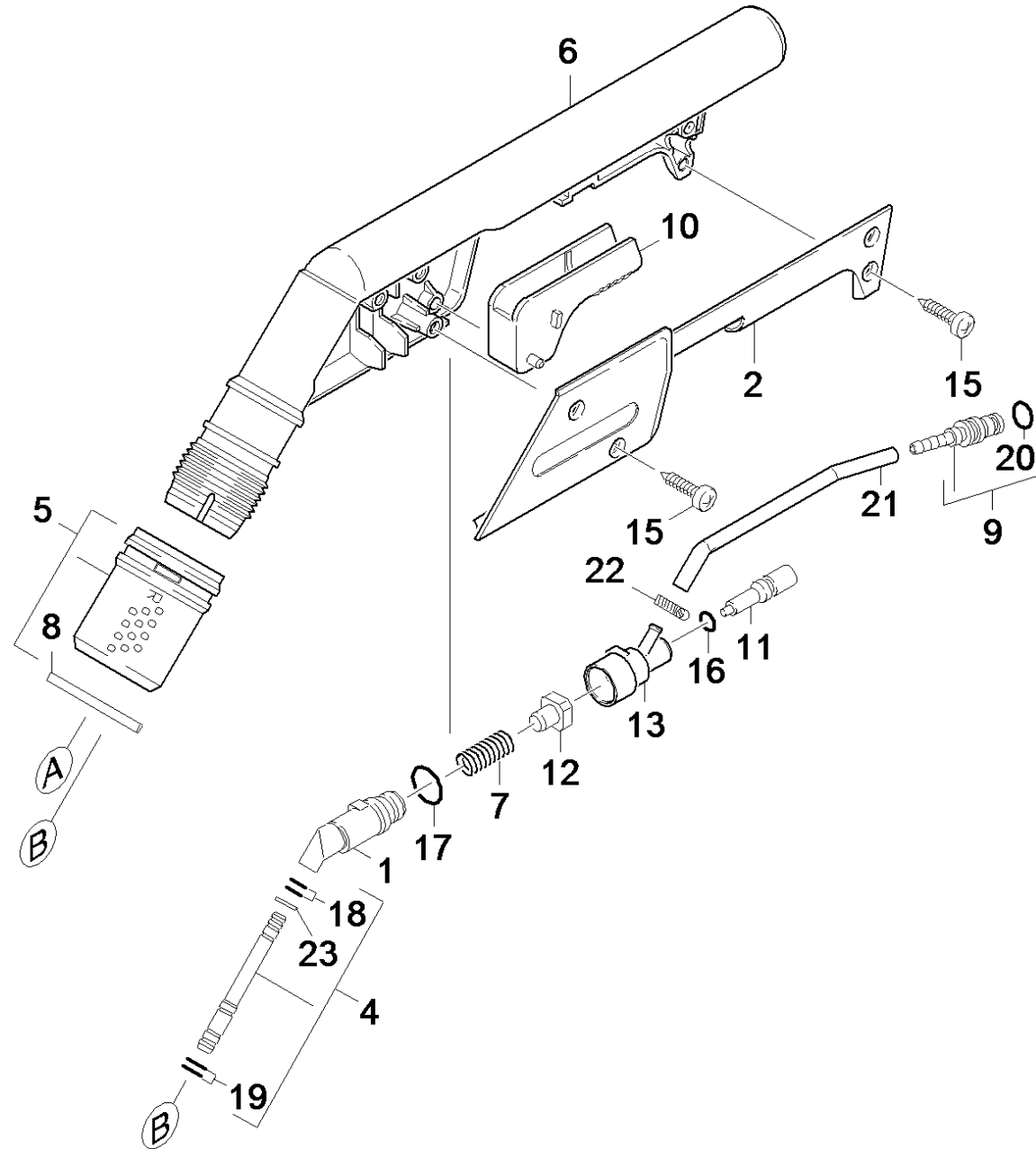


1 Handhold complete (4.321-101.0)

Home and Garden \ Spray extraction \ PUZZI 200 \ PUZZI 200 *EU \ Spare parts list PUZZI 200 \ Floor tool complete \ Floor tool \ Handhold complete



1 Handhold complete (4.321-101.0)

Home and Garden \ Spray extraction \ PUZZI 200 \ PUZZI 200 *EU \ Spare parts list PUZZI 200 \ Floor tool complete \ Floor tool \ Handhold complete

KÄRCHER

| POS | Article no. | Description | Quantity | Unit |
|-----|-------------|--------------------------------|----------|------|
| 1 | 5.030-670.0 | Moulded part | 1 | PC |
| 2 | 5.031-038.0 | Moulded part | 1 | PC |
| 4 | 4.127-009.0 | Extension | 1 | PC |
| 5 | 4.310-010.0 | Nut right hand thread | 1 | PC |
| 6 | 5.321-569.0 | Handhold | 1 | PC |
| 7 | 5.332-082.0 | Helical spring | 1 | PC |
| 8 | 5.343-014.0 | Locking ring | 1 | PC |
| 9 | 4.443-019.0 | Hose stem | 1 | PC |
| 10 | 5.481-157.0 | Lever | 1 | PC |
| 11 | 5.584-033.0 | Valve pin | 1 | PC |
| 12 | 5.584-034.0 | Valve pin | 1 | PC |
| 13 | 5.587-139.0 | Valve housing | 1 | PC |
| 15 | 7.303-116.0 | Screw 4x12-A2-70 (IN6RD) | 4 | PC |
| 16 | 6.362-401.0 | O-Ring seal 3,1 X 1,6 | 1 | PC |
| 17 | 6.362-402.0 | O-Ring seal 11,0 X 1,3-NBR 70 | 1 | PC |
| 18 | 6.362-761.0 | O-Ring seal 4,0 X 1,2 | 2 | PC |
| 19 | 6.362-472.0 | O-Ring seal 6,0 X 1,0-NBR 70 | 2 | PC |
| 20 | 2.889-246.0 | O-Ring seal set 6,75X 1,78 | 1 | PC |
| 21 | 6.390-237.0 | Hose PU DN 6x1 | 1 | ZST |
| 22 | 6.390-257.0 | Hose clip | 2 | PC |
| 23 | 7.343-201.0 | Lock washer 6-FST-PHR DIN 6799 | 1 | PC |