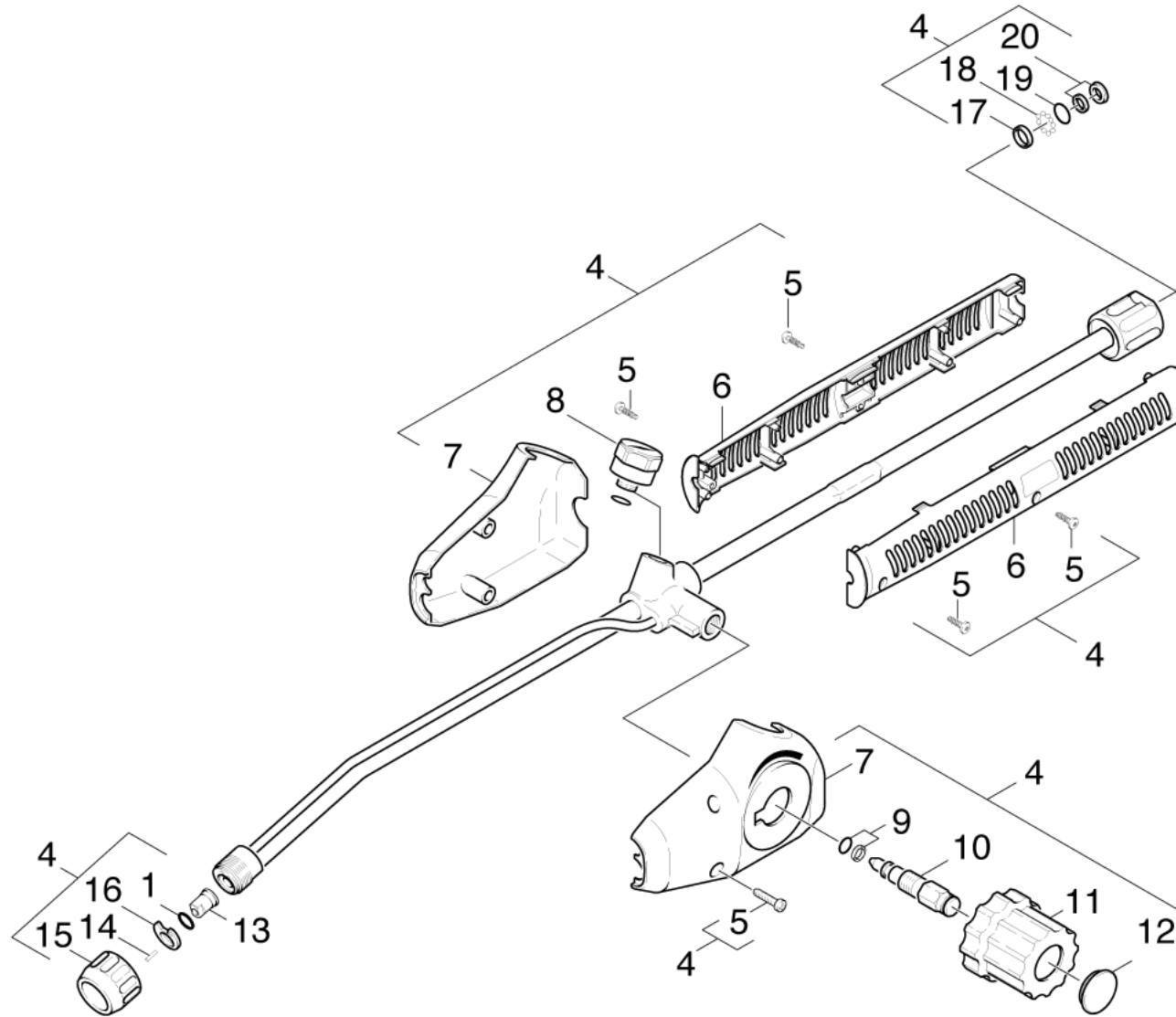


87 Jet pipe

Professional \ Industrial cleaning systems \ High pressure cleaner stationary \ HDC Classic \ HDC 20/8 \ Documentation HDC 20/8 \ Spare parts list HDC 20/8 \ Accessories \ Jet pipe



87 Jet pipe

Professional \ Industrial cleaning systems \ High pressure cleaner stationary \ HDC Classic \ HDC 20/8 \ Documentation HDC 20/8 \ Spare parts list HDC 20/8 \ Accessories \ Jet pipe

KÄRCHER

POS	Preces Nr.	Apraksts	Skaitis	Vienība	Sērijas numurs no	Sērijas numurs līdz
4	4.760-362.0	Double jet pipe	1.000	ST	0000000000	0000000000
9	6.363-037.0	Gredzenblīve, pilns komplekts 1ST.-R.	1.000	ST	0000000000	0000000000
19	6.362-524.0	Gredzenblīve 17,0 X 1,5	1.000	ST	0000000000	0000000000
20	4.363-692.0	Grooved ring	1.000	ST	0000000000	0000000000
11	5.321-321.0	handhold	1.000	ST	0000000000	0000000000
6	5.321-150.0	HANDLE (PART NO=ONE HALF)	2.000	ST	0000000000	0000000000
17	6.362-529.0	Joint ring 12x1,5	1.000	ST	0000000000	0000000000
5	6.303-025.0	Oval head screw 4,2x16-St-vz	6.000	ST	0000000000	0000000000
16	5.000-825.0	Plate	1.000	ST	0000000000	0000000000
12	5.132-010.0	plug	1.000	ST	0000000000	0000000000
13	2.883-803.0	Power nozzle 25034	1.000	ST	0000000000	0000000000
	Vienuma teksts 1: / 1.095-121.0					
13	2.883-804.0	Power nozzle 25048	1.000	ST	0000000000	0000000000
	Vienuma teksts 1: / 1.095-801.0					
8	6.421-143.0	Pressure gauge 0-250BAR	1.000	ST	0000000000	0000000000
7	5.394-273.0	Protection part pair	1.000	ST	0000000000	0000000000
15	5.401-153.0	Screw connector part	1.000	ST	0000000000	0000000000
1	2.880-990.0	spare part set o ring from 2.880-296.0	1.000	ST	0000000000	0000000000
18	7.401-921.0	Sphere 4 G20 -1.4034 DIN 5401	12.000	ST	0000000000	0000000000
10	5.291-047.0	Spindle	1.000	ST	0000000000	0000000000
14	7.314-623.0	Straight grooved pin 2,5x6-CU2 ISO 8740	1.000	ST	0000000000	0000000000