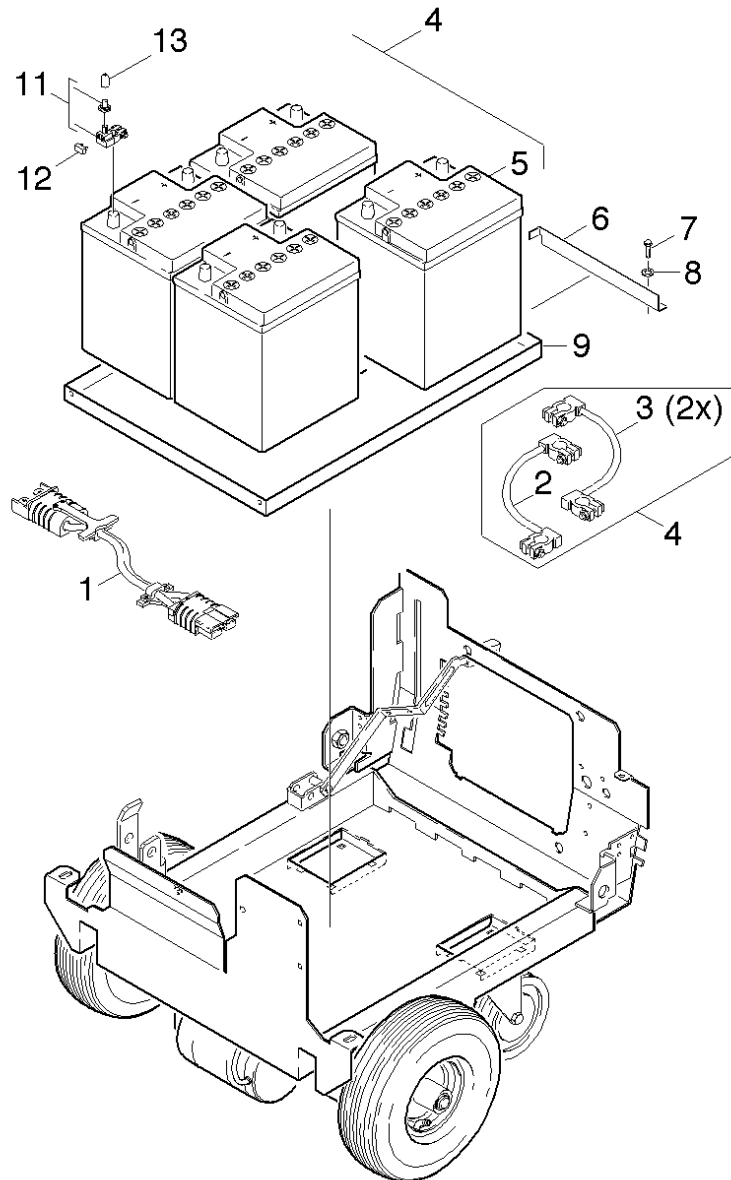
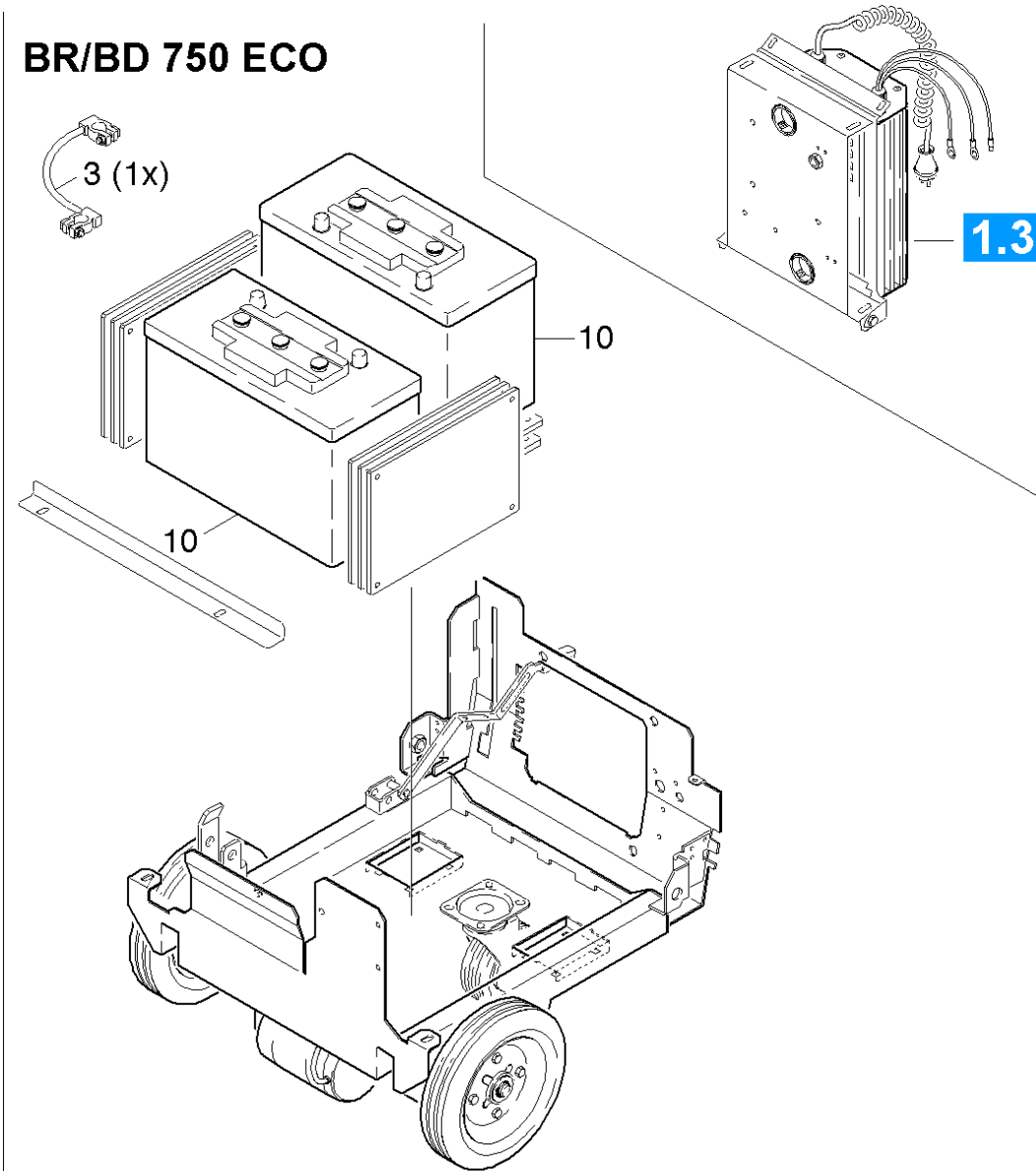


BR/BD 750



BR/BD 750 ECO



12 Battery

Professional \ Floor cleaner \ Walk behind \ BD 750 BAT PACK *EU \ Spare parts list BR/BD 750 BAT \ Appliance individual parts \ Battery

POS	Article no.	Description	Quantity	Unit	Remark	Foot note text
5	6.654-124.0	Battery 6V180AH	4.000	ST	6V/180AH	MAINTENANCE-FREE
4	6.654-130.0	Battery kit 6V180AH	1.000	ZSA	6V/180AH	MAINTENANCE-FREE
4	6.654-070.0	Battery kit NASS 6V180AH	1.000	ZSA	6V/175AH	LOW-MAINTENANCE
3	6.647-738.0	Cable battery 16 mm ²	1.000	ST		QUANTITY ACCORDING TO DEMAND
2	6.647-737.0	Cable battery 16 mm ²	1.000	ST		
7	7.306-443.0	Cylinder head screw M5x12-4.8-A2E ISO 1	3.000	ST		
10	4.035-182.0	Drive battery maintenance free replaceme	2.000	ST		
12	6.644-360.0	Fuse 125A, 58VDC	1.000	ST		
	Item text1: /1.259-101.0 / -103.0 / -105.0 / -107.0					
12	6.644-333.0	Fuse 150A	1.000	ST		
	Item text1: /1.259-102.0 / -104.0 / -106.0 / -108.0					
11	6.643-948.0	Pole binder single	1.000	ST		
	Item text1: /1.259-101.0 / -103.0 / -105.0 / -107.0					
11	6.643-883.0	Pole binder single	1.000	ST		
	Item text1: /1.259-102.0 / -104.0 / -106.0 / -108.0					
13	6.368-294.0	Protecting cap black 1/4" PVC	1.000	ST		
6	5.049-844.0	Sheet metal component battery	1.000	ST		
1	6.648-582.0	Supply cable	1.000	ST		
9	5.039-042.0	Tub battery BR/BD TRIKE, 750	1.000	ST		
8	7.312-002.0	Washer 5-200HV-A3E ISO 7089	1.000	ST		