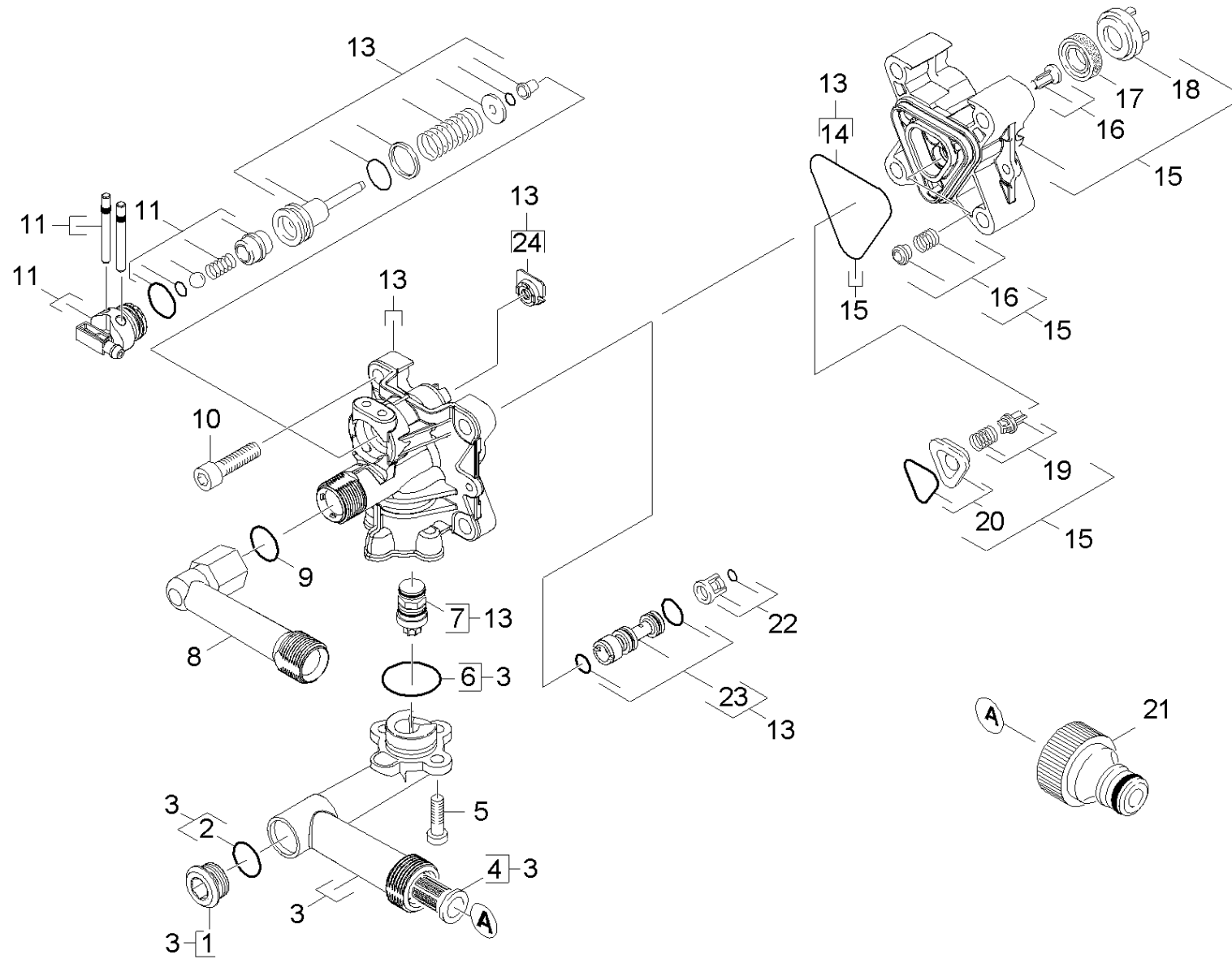


## 21 Housing

Overview technical documents/Home & Garden/High pressure cleaner cold water/Electric motor/K 4/K 4.85 MD ALU \*EU (1.950-305.0)/Spare parts list K 4.80MD ALU \*EU/20 Pump set/21 Housing



## 21 Housing

Overview technical documents/Home & Garden/High pressure cleaner cold water/Electric motor/K 4/K 4.85 MD ALU \*EU (1.950-305.0)/Spare parts list K 4.80MD ALU \*EU/20 Pump set/21 Housing

Rez.daļas/nodil.pakļ.daļas	Poz.	Materiāla Nr.	Nosaukums	Daudzums	Pārdoš. vienība	no sēr. Nr..	līdz sēr. Nr.
	1	9.036-898.0	Screw plug	1.000	ST	0000000000	0000000000
	2	9.081-402.0	O-Ring seal 15x2	1.000	ST	0000000000	0000000000
	3	9.001-278.0	Savienotājs, pilns komplekts	1.000	ST	0000000000	0000000000
X	4	5.731-598.0	Smalkais filtrs, garš	1.000	ST	0000000000	0000000000
	5	9.086-199.0	Screw M6x16	3.000	ST	0000000000	0000000000
	6	9.081-417.0	Blīvgredzens d.20 x 2	1.000	ST	0000000000	0000000000
	7	9.002-164.0	plastic by pass (spare)	1.000	ST	0000000000	0000000000
X-X	8	4.025-894.0	High-pressure outlet complete K5.91M	1.000	ST	0000000000	0000000000
X-X	9	6.362-151.0	Gredzenblīve 10 x 2 NBR 70	1.000	ST	0000000000	0000000000
	10	7.306-151.0	Cylinder head screw M8x65 -8.8-A2E ISO4	4.000	ST	0000000000	0000000000
X-X	11	9.001-277.0	Ķīmijas daļu kompl.	1.000	ST	0000000000	0000000000
X-X	13	9.001-800.0	Sadales galvas rezerves daļu komplekts	1.000	ST	0000000000	0000000000
	14	9.081-424.0	Form seal	1.000	ST	0000000000	0000000000
X-X	15	9.001-274.0	Sadales galvas rezerves daļu komplekts	1.000	ST	0000000000	0000000000
X-X	16	9.001-110.0	Veidnes detaļa, pilns komplekts	1.000	ST	0000000000	0000000000
X-X	17	6.362-875.0	Gredzens ar gropi	3.000	ST	0000000000	0000000000
X-X	18	9.037-059.0	Balstgredzens	3.000	ST	0000000000	0000000000
X-X	19	9.001-275.0	Vārstu komplekts	1.000	ST	0000000000	0000000000
	20	9.001-276.0	Savienotājdetaļa	1.000	ST	0000000000	0000000000
X-X	21	6.465-031.0	connection	1.000	ST	0000000000	0000000000
X-X	22	9.001-819.0	Aptvere, pilns komplekts	1.000	ST	0000000000	0000000000
X	23	4.769-035.0	Nozzle insert	1.000	ST	0000000000	0000000000
	24	9.037-142.0	Atstatuma turētājs	1.000	ST	0000000000	0000000000