

## **Spare parts list**

(1.645-216.0) GP 45 \*EU-II

## Table of contents

---

GP 45 *EU-II (1.645-216.0)	3
Spare parts list GP 45/55 (5.970-732.0)	4
10 Individual parts	5
11 Individual parts	6
12 Individual parts	9
20 Suction unit kit pumps 3,5m (6.997-450.0)	12

GP 45 \*EU-II (1.645-216.0)

---

POS	Article no.	Description	Quantity	Unit
0	5.970-732.0	Spare parts list GP 45/55	1	PC

Spare parts list GP 45/55 (5.970-732.0)

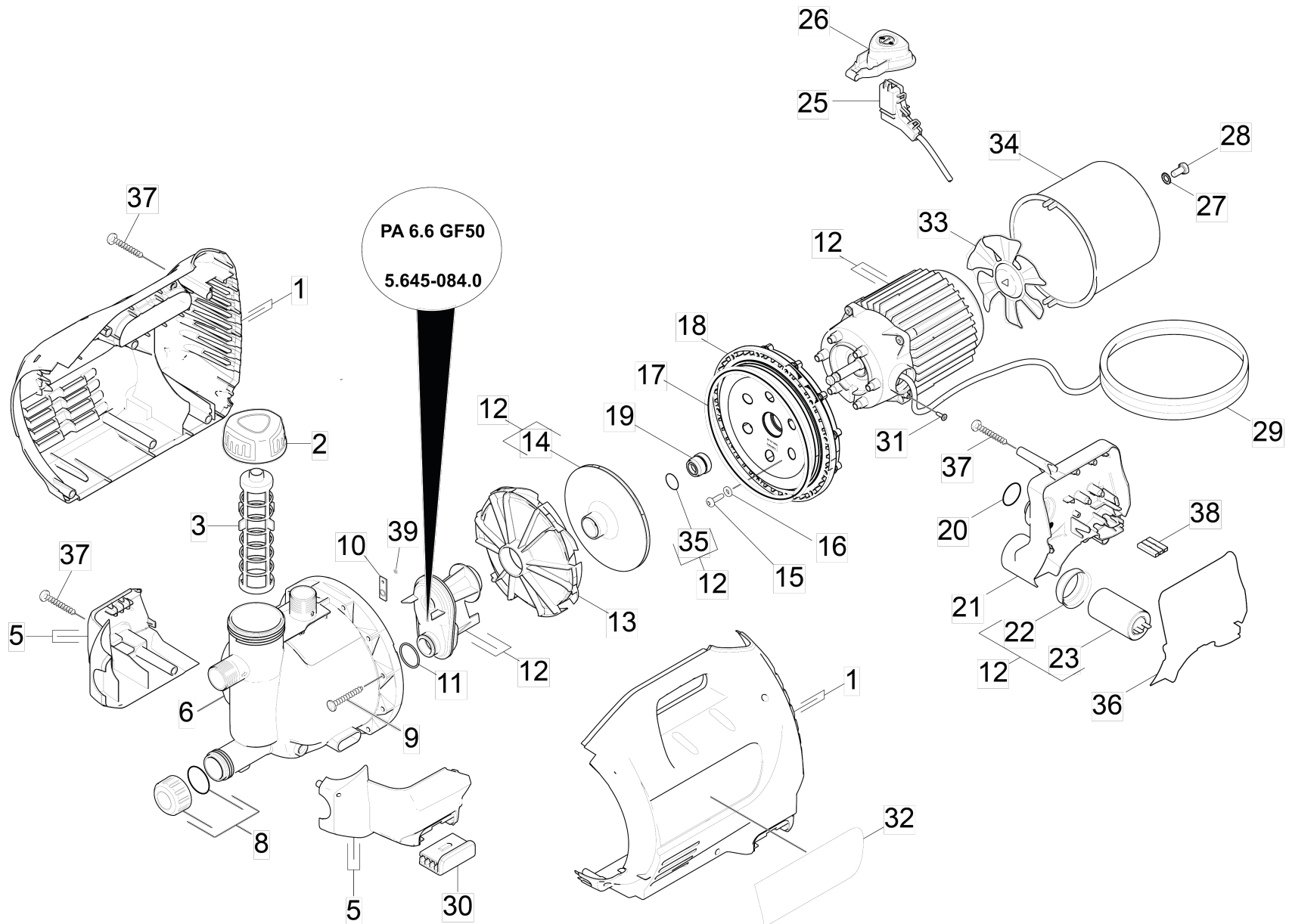
---

<b>POS</b>	<b>Article no.</b>	<b>Description</b>	<b>Quantity</b>	<b>Unit</b>
10		Individual parts	1	PC
20	6.997-450.0	Suction unit kit pumps 3,5m	1	PC

## 10 Individual parts

---

<b>POS</b>	<b>Description</b>	<b>Quantity</b>	<b>Unit</b>	<b>Remark</b>
11	Individual parts	1	PC	VERSION 1
12	Individual parts	1	PC	VERSION 2



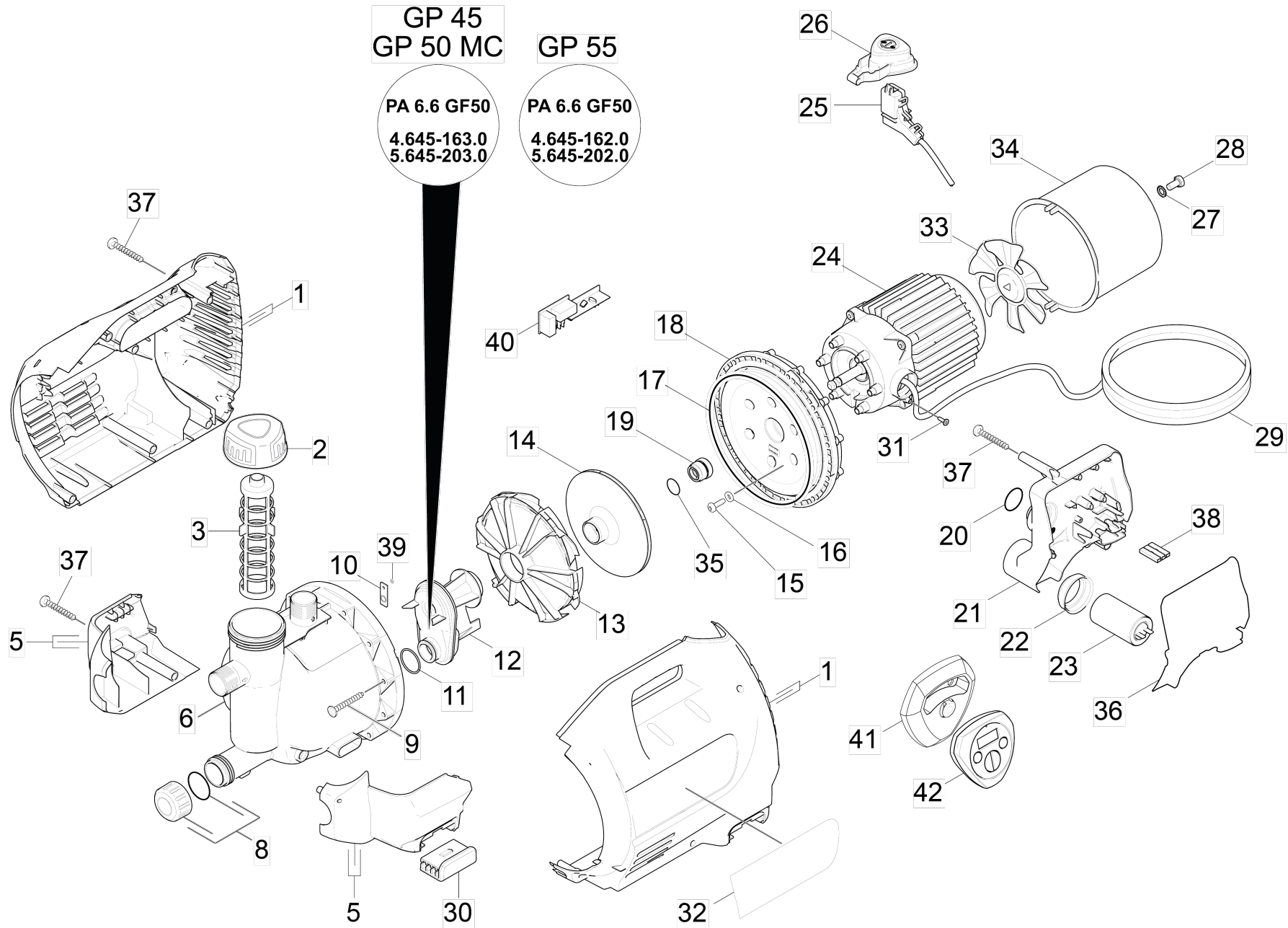
## 11 Individual parts

POS	Article no.	Description	Quantity	Unit	Remark	Foot note text
1	4.645-121.0	Housing replacement /housing cpl.	1	PC		
2	4.645-110.0	Cover filter complete / filter cap cpl.	1	PC		
3	4.645-126.0	Filter replacement /filter	1	PC		
5	4.645-122.0	Housing front replacement /housing fron	1	PC		
6	5.645-079.0	Pump head /pump head	1	PC		
8	4.645-111.0	Cover dehydration complete /drainage plu	1	PC		
9	7.303-209.0	Screw 6x50 -10.9-R2R (K-In6Rd)	12	PC		
10	6.645-346.0	Rubber ventilation	1	PC		
11	6.363-225.0	O-Ring seal 30x2	1	PC		
12	2.882-667.0	Conversion kit Motor and Injector	1	PC	GP 45	
12	2.882-663.0	Conversion kit Motor and Injector	1	PC	GP 55	
13	5.645-598.0	Guide wheel GP/BPE	1	PC		
14	4.645-027.0	Impeller complete (good)	1	PC	GP 45	
14	4.645-028.0	Impeller complete (better)	1	PC	GP 55	
15	7.303-048.0	Screw M6x20 -St-R3R (In6Rd)	6	PC		
16	6.363-404.0	Flat gasket / flat gasket	6	PC		
17	6.645-078.0	O-Ring seal 160x5	1	PC		
18	5.645-080.0	Flange for pump /pump flange	1	PC		
19	6.645-108.0	Floating ring seal /rot. mechanical seal	1	PC		
20	6.363-403.0	O-Ring seal 26x3	1	PC		
21	5.645-108.0	Electric box / e-box D40	1	PC		
22	9.080-420.0	Capacitor sealing ring d.40, 55 Shore	1	PC		
23	6.645-380.0	Capacitor 18µF S3	1	PC		
25	4.645-128.0	Switch replacement /switch cpl.	1	PC		
26	5.645-112.0	Switch faceplate /button on/off	1	PC		
27	7.312-233.0	Serrated lock washer A8,4-FSt-A3E DIN67	1	PC		
28	7.304-395.0	Hexagonal head screw M8x16-8.8-A2E ISO	1	PC		
29	4.645-127.0	Cable replacement *EU /supply cord	1	PC	*EU	
29	4.645-144.0	Cable replacement *CH /supply cord	1	PC	*CH	

## 11 Individual parts

POS	Article no.	Description	Quantity	Unit	Remark	Foot note text
29	4.645-145.0	Cable replacement *GB /supply cord	1	PC	*GB	
30	5.645-122.0	Pedestal /rubber foot	4	PC		
31	7.303-032.0	Screw M4x12 -St-R2R (In6Rd)	1	PC		
32	4.645-147.0	Foil replacement /lamination BETTER	1	PC	GP 55	
33	9.039-188.0	Blower wheel	1	PC		
34	6.964-090.0	Housing blower	1	PC		
35	6.362-169.0	O-Ring seal 12,0 X 2,0	1	PC		
36	6.273-037.0	Seal string cellular rubber 3	1	m		TO ORDER AS CUT GOODS
37	9.086-221.0	Screw ATF 4.1x22	11	PC		
38	6.645-151.0	Connector / wire connector triple	1	PC		
39	6.343-139.0	Lock washer	1	PC		



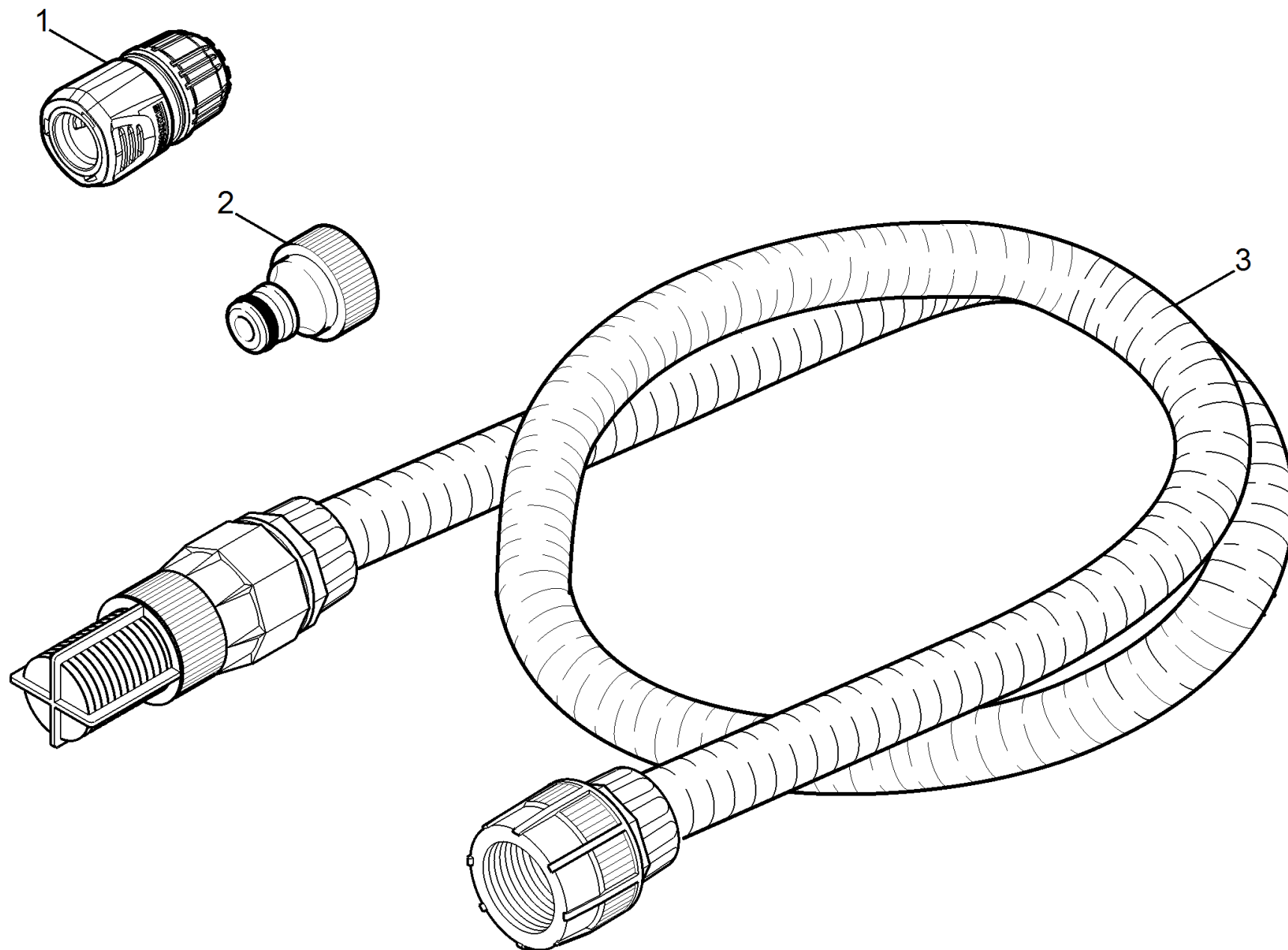


## 12 Individual parts

POS	Article no.	Description	Quantity	Unit	Remark	Foot note text
1	4.645-121.0	Housing replacement /housing cpl.	1	PC		
2	4.645-110.0	Cover filter complete / filter cap cpl.	1	PC		
3	4.645-126.0	Filter replacement /filter	1	PC		
5	4.645-122.0	Housing front replacement /housing fron	1	PC		
6	5.645-079.0	Pump head /pump head	1	PC		
8	4.645-111.0	Cover dehydration complete /drainage plu	1	PC		
9	7.303-209.0	Screw 6x50 -10.9-R2R (K-In6Rd)	12	PC		
10	6.645-346.0	Rubber ventilation	1	PC		
11	6.363-225.0	O-Ring seal 30x2	1	PC		
12	4.645-223.0	Injector replacement GP55	1	PC	GP 50 MC / GP 55	
12	4.645-224.0	Injector replacement GP45	1	PC	GP 45	
13	5.645-598.0	Guide wheel GP/BPE	1	PC		
14	4.645-027.0	Impeller complete (good)	1	PC		
15	7.303-048.0	Screw M6x20 -St-R3R (In6Rd)	6	PC		
16	6.363-404.0	Flat gasket / flat gasket	6	PC		
17	6.645-078.0	O-Ring seal 160x5	1	PC		
18	5.645-080.0	Flange for pump /pump flange	1	PC		
19	6.645-108.0	Floating ring seal /rot. mechanical seal	1	PC		
20	6.363-403.0	O-Ring seal 26x3	1	PC		
21	5.645-108.0	Electric box / e-box D40	1	PC		
22	9.080-420.0	Capacitor sealing ring d.40, 55 Shore	1	PC		
23	6.645-380.0	Capacitor 18µF S3	1	PC		
24	4.645-280.0	Motor replacement 65mm	1	PC		
25	4.645-128.0	Switch replacement /switch cpl.	1	PC	GP 45 / GP 55	
25	4.645-134.0	Switch replacement /switch cpl.	1	PC	GP 50 MC	
26	5.645-112.0	Switch faceplate /button on/off	1	PC		
27	7.312-233.0	Serrated lock washer A8,4-FSt-A3E DIN67	1	PC		
28	7.304-395.0	Hexagonal head screw M8x16-8.8-A2E ISO	1	PC		
29	4.645-127.0	Cable replacement *EU /supply cord	1	PC	*EU	

## 12 Individual parts

POS	Article no.	Description	Quantity	Unit	Remark	Foot note text
29	4.645-144.0	Cable replacement *CH /supply cord	1	PC	*CH	
29	4.645-145.0	Cable replacement *GB /supply cord	1	PC	*GB	
30	5.645-122.0	Pedestal /rubber foot	4	PC		
31	7.303-032.0	Screw M4x12 -St-R2R (In6Rd)	1	PC		
32	6.645-495.0	LAMINATION GP 50 MC	1	PC	GP 50 MC	
32	4.645-147.0	Foil replacement /lamination BETTER	1	PC	GP 55	
33	9.039-188.0	Blower wheel	1	PC		
34	6.964-090.0	Housing blower	1	PC		
35	6.362-169.0	O-Ring seal 12,0 X 2,0	1	PC		
36	6.273-037.0	Seal string cellular rubber 3	1	m		TO ORDER AS CUT GOODS
37	9.086-221.0	Screw ATF 4.1x22	11	PC		
38	6.645-151.0	Connector / wire connector triple	1	PC		
39	6.343-139.0	Lock washer	1	PC		
40	4.645-133.0	Circuit board replacement /PCB GP recei	1	PC	GP 50 MC	
41		Wall fastening	1	PC	GP 50 MC	
42	4.645-131.0	Remote control replacement /remote cont	1	PC	GP 50 MC	



20 Suction unit kit pumps 3,5m (6.997-450.0)

---

<b>POS</b>	<b>Article no.</b>	<b>Description</b>	<b>Quantity</b>	<b>Unit</b>
1	2.645-192.0	Hose coupling entry Aqua Universal	1	PC
2	6.645-216.0	Tap adaptor complete G1"	1	PC
3	2.997-110.0	Suction assembly 3,5m	1	PC