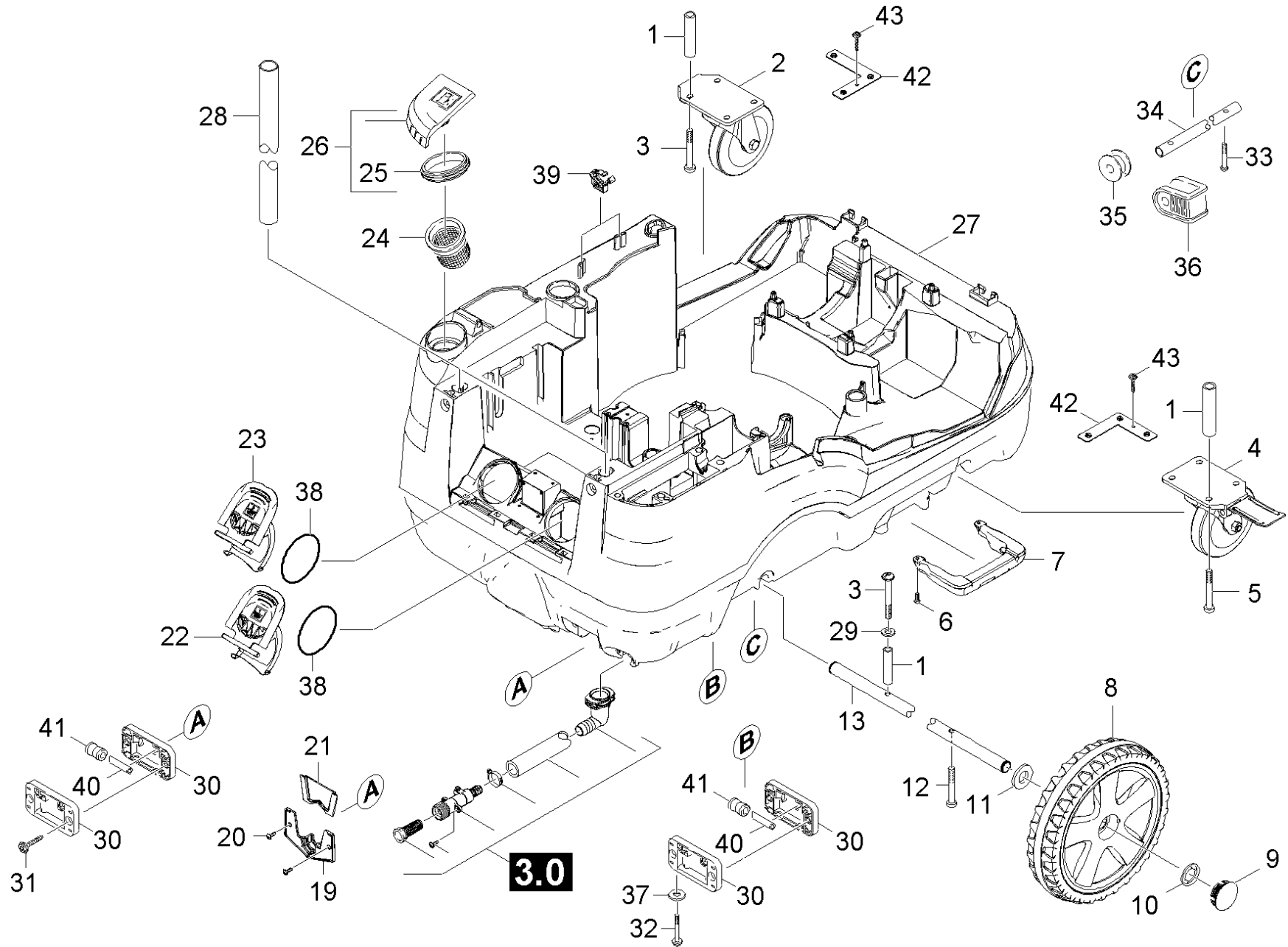


12 Bottom part

Professional \ High pressure cleaner hotwater \ Electric motor \ HDS 10/20 -4M *EU-II \ Spare parts list HDS 10/20 \ Housing \ Bottom part



12 Bottom part

Professional \ High pressure cleaner hotwater \ Electric motor \ HDS 10/20 -4M *EU-II \ Spare parts list HDS 10/20 \ Housing \ Bottom part

POS	Article no.	Description	Quantity	Unit
1	5.111-065.0	Spacer sleeve	7	PC
2	6.435-777.0	Castor D 160	1	PC
3	7.303-236.0	Screw M 8x60-St-A3E (IN6RD)	4	PC
4	6.435-747.0	Castor	1	PC
5	7.303-237.0	Screw M 8x70-St-A3K (IN6RD)	3	PC
6	7.303-046.0	Screw M6x12 -St-R3R (In6Rd)	4	PC
7	5.424-136.0	Fixing	2	PC
8	4.515-263.0	Wheel complete	2	PC
9	5.392-038.0	Wheel cap	2	PC
10	6.343-162.0	Lock washer -25	2	PC
11	7.312-060.0	Washer 24-100HV-A3E ISO 7091	2	PC
12	7.303-236.0	Screw M 8x60-St-A3E (IN6RD)	1	PC
13	5.105-652.0	Axle	1	PC
19	5.263-087.0	Tensioning part	1	PC
	Item text1: 1.071-401.0 /-402.0 /-403.0			
20	7.303-086.0	Screw 5x30 -10.9-R2R (K-In6Rd)	2	PC
	Item text1: 1.071-401.0 /-402.0 /-403.0			
21	5.263-088.0	Tensioning part	1	PC
	Item text1: 1.071-401.0 /-402.0 /-403.0			
22	5.064-231.0	Cover chemistry 2	1	PC
23	5.064-221.0	Cover chemistry 1	1	PC
24	5.731-039.0	Filter	1	PC
25	5.363-300.0	Joint ring	1	PC
26	4.064-013.0	Cover fuel complete	1	PC
27	4.051-109.0	Frame neue M-Klasse Ersatz	1	PC
28	5.027-292.0	Tube handhold	2	PC
29	7.312-277.0	Washer 8-200HV-A2E ISO7093-1	1	PC
30	5.044-646.0	Holder roller front	4	PC
	Item text1: 1.071-451.0 /-452.0 /-455.0			
31	7.303-118.0	Screw 5x40 -A2-70 (IN6Rd)	2	PC
	Item text1: 1.071-451.0 /-452.0 /-455.0			
32	7.303-171.0	Screw 5x80 -10.9-R2R (K-In6Rd)	2	PC
	Item text1: 1.071-451.0 /-452.0 /-455.0			

12 Bottom part

Professional \ High pressure cleaner hotwater \ Electric motor \ HDS 10/20 -4M *EU-II \ Spare parts list HDS 10/20 \ Housing \ Bottom part



POS	Article no.	Description	Quantity	Unit
33	7.303-086.0	Screw 5x30 -10.9-R2R (K-In6Rd)	2	PC
	Item text1: 1.071-451.0 /-452.0 /-455.0			
34	5.033-524.0	Axle	2	PC
	Item text1: 1.071-451.0 /-452.0 /-455.0			
35	5.515-112.0	Deflection pulley	1	PC
	Item text1: 1.071-451.0 /-452.0 /-455.0			
36	5.033-415.0	Slider	1	PC
	Item text1: 1.071-451.0 /-452.0 /-455.0			
37	7.312-278.0	Washer 5-200HV-A2E ISO7093-1	2	PC
38	6.363-443.0	O-Ring seal 75x5	2	PC
39	5.802-306.0	Holder cable	2	PC
40	5.128-511.0	Axle	6	PC
41	5.515-191.0	Roller	6	PC
42	5.424-137.0	Fixing castor	2	PC
43	7.303-107.0	Screw 5x16 -10.9-P2R (K-In6Rd)	2	PC