

Spare parts list

(1.517-214.0) KM 70/30 C Bp Pack

Table of contents

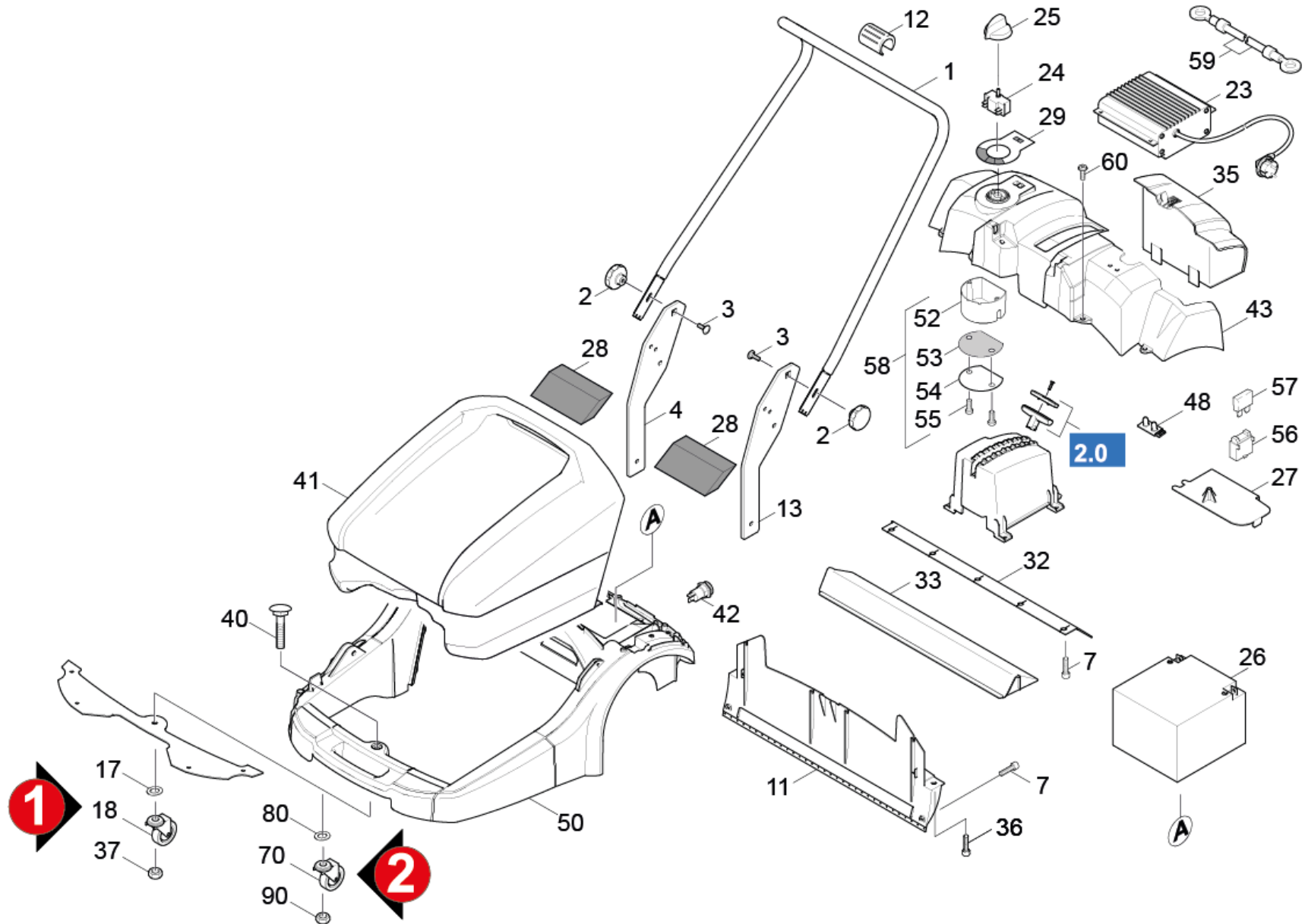
KM 70/30 C Bp Pack (1.517-214.0)	3
216 Spare parts list KM 70/30 C Bp Pack (5.972-400.0)	4
10 Individual parts	5
25 Handhold operational concept complete (4.035-608.0)	8
20 Transmission	10
1 Wheel complete (4.515-355.0)	13
5 Pinion sprag clutch complete rechts (4.040-791.0)	15
16 Conversion kit spring clip KM 70/30 (2.644-246.0)	16
36 Belt pulley complete (4.040-816.0)	18
30 Side broom	19

KM 70/30 C Bp Pack (1.517-214.0)

POS	Article no.	Description	Quantity	Unit
216	5.972-400.0	Spare parts list KM 70/30 C Bp Pack	1.000	ST

216 Spare parts list KM 70/30 C Bp Pack (5.972-400.0)

POS	Description	Quantity	Unit
10	Individual parts	1.000	ST
30	Side broom	1.000	ST
20	Transmission	1.000	ST

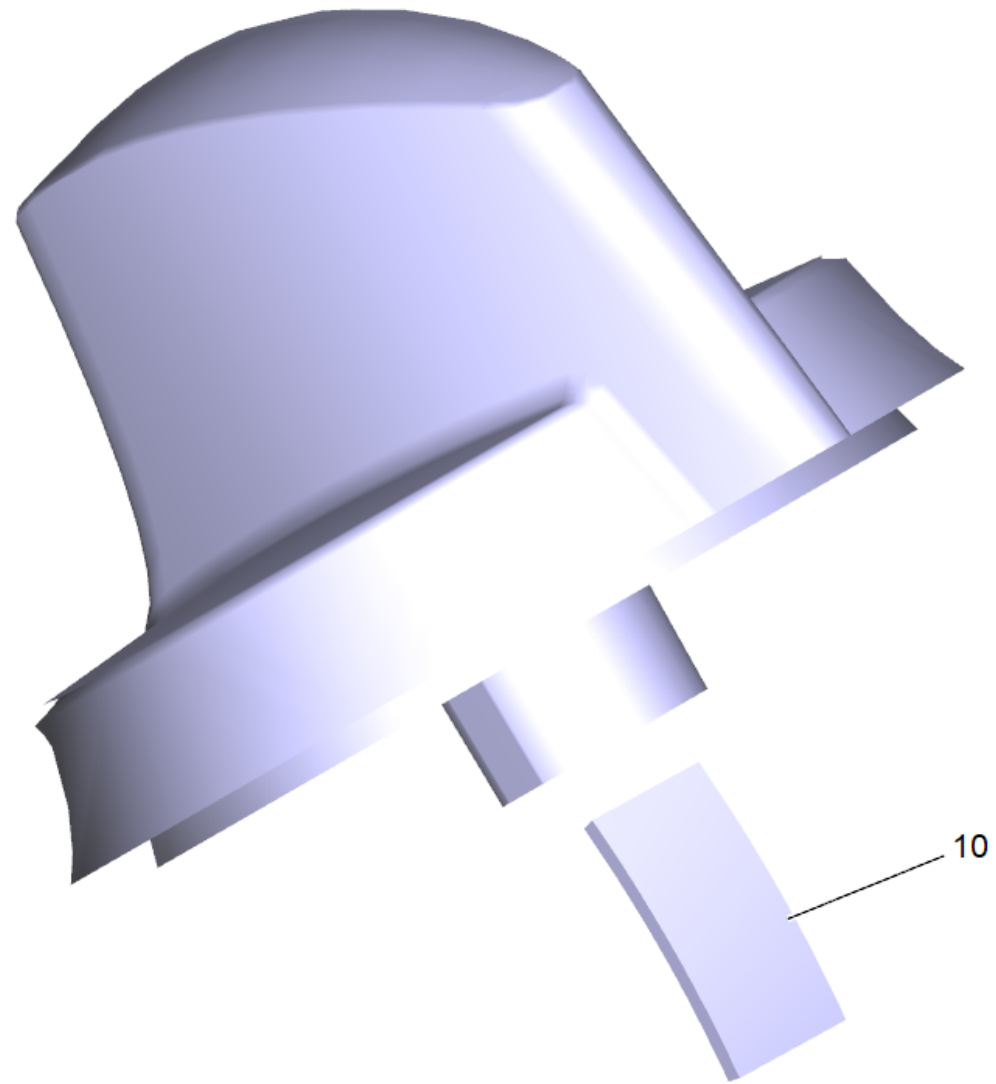


10 Individual parts

POS	Article no.	Description	Quantity	Unit	Serial number from	Foot note text
26	6.654-202.0	Battery 12V 22AH	1.000	ST		
23	6.654-203.0	Battery charger	1.000	ST		
59	4.041-025.0	Cable complete 500 mm	1.000	ST		
70	6.966-068.0	Castor	1.000	ST	10856	VERSION 2
18	6.435-027.0	Castor D 75	1.000	ST		VERSION 1
48	6.682-776.0	Circuit board LED BR/BD 40/25	1.000	ST		
12	6.373-867.0	Clamp	1.000	ST		
58	2.641-769.0	Conversion kit dust protection switch	1.000	ST		
54	5.010-109.0	Cover	1.000	ST		
35	5.654-073.0	Cover batterie shed	1.000	ST		
27	5.032-928.0	Covering cap battery	1.000	ST		
43	5.068-000.0	Cover with hinge	1.000	ST		
28	5.731-625.0	Filter cartridge for KM 70/30 C	2.000	ST		
29	5.391-248.0	Foil control panel KM 70/30	1.000	ST		
50	5.050-277.0	Frame KM_70/30	1.000	ST		
56	6.644-216.0	Fuse holder	1.000	ST		
57	7.644-017.0	Fuse insert C10 DIN 72581-3	1.000	ST		
32	6.903-801.0	Ground lip	1.000	ST		
25	4.035-608.0	Handhold operational concept complete	1.000	ST		
90	7.311-423.0	Hexagon nut M10 -04-A2E DIN 985	1.000	ST		VERSION 2
37	7.311-511.0	Hexagon nut M10-8-A2E ISO 7040	1.000	ST		VERSION 1
33	6.903-800.0	Holder ground lips sweep tank	1.000	ST		
11	5.032-641.0	Rear skirting	1.000	ST		
3	7.303-194.0	Saucer-head screw M8x25-St-A0P DIN 603	2.000	ST		
40	7.303-222.0	Saucer-head screw M10x80 -St-A0P DIN 60	1.000	ST		
55	7.303-129.0	Screw 4x16 -10.9-R2R (K-In6Rd)	2.000	ST		
7	7.303-107.0	Screw 5x16 -10.9-P2R (K-In6Rd)	12.000	ST		
36	7.303-086.0	Screw 5x30 -10.9-R2R (K-In6Rd)	6.000	ST		
60	7.303-112.0	Screw 6x20 -10.9-R2R (In6Rd)	16.000	ST		
53	6.640-271.0	Seal	1.000	ST		
13	5.057-855.0	Sheet metal component left	1.000	ST		
4	5.057-790.0	Sheet metal component right	1.000	ST		
41	4.070-952.0	Sweep tank replacement	1.000	ST		

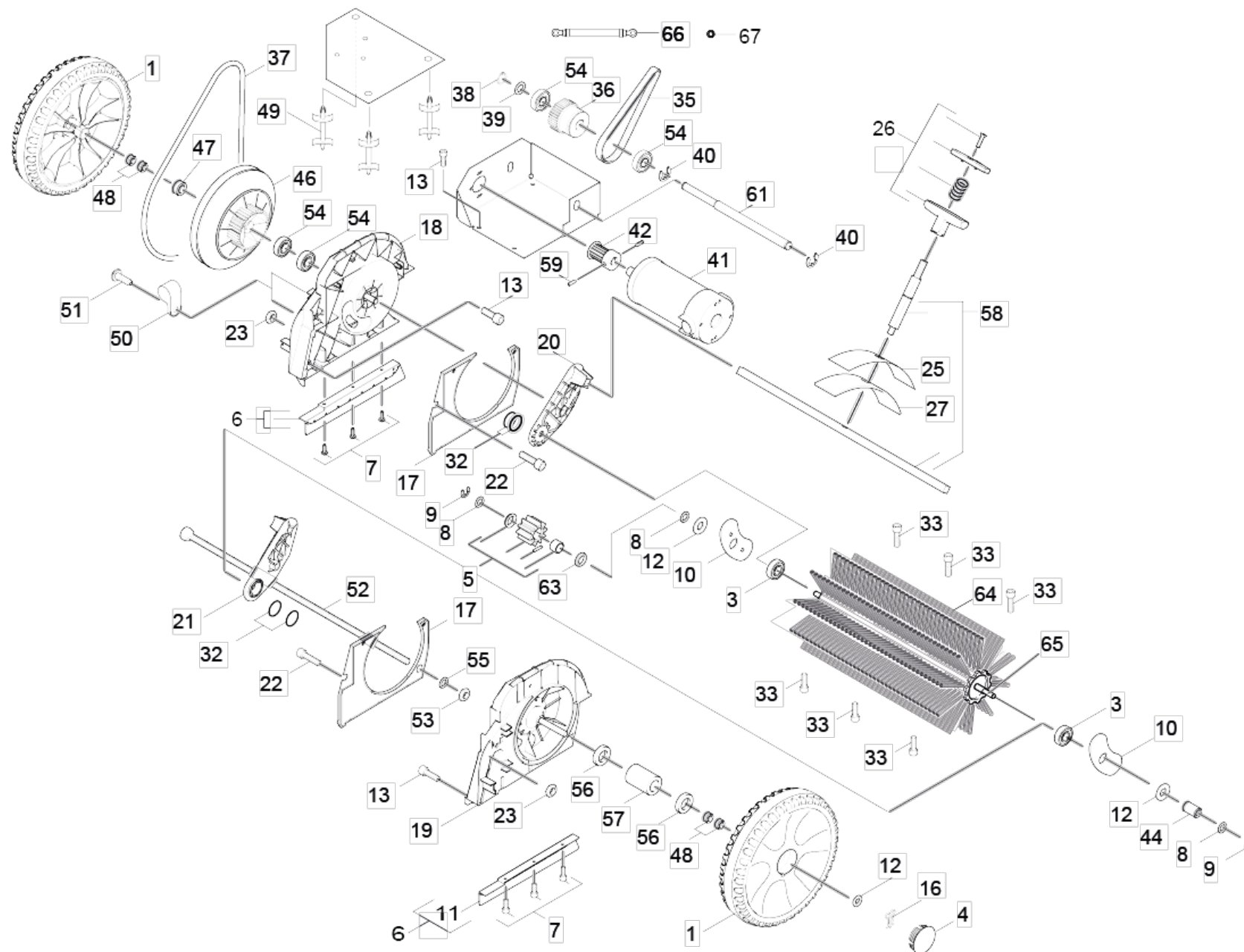
10 Individual parts

POS	Article no.	Description	Quantity	Unit	Serial number from	Foot note text
24	6.635-549.0	Switch control panel	1.000	ST		
52	5.010-108.0	Tin dust protection	1.000	ST		
1	5.128-775.0	Tube shearing shackle	1.000	ST		
2	6.321-177.0	Turning knob yellow D55mm	2.000	ST		
17	7.312-005.0	Washer 10-200HV-A3E ISO 7089	2.000	ST		VERSION 1
80	7.312-005.0	Washer 10-200HV-A3E ISO 7089	4.000	ST		VERSION 2



25 Handhold operational concept complete (4.035-608.0)

POS	Article no.	Description	Quantity	Unit
20	6.313-014.0	Spring element	1.000	ST

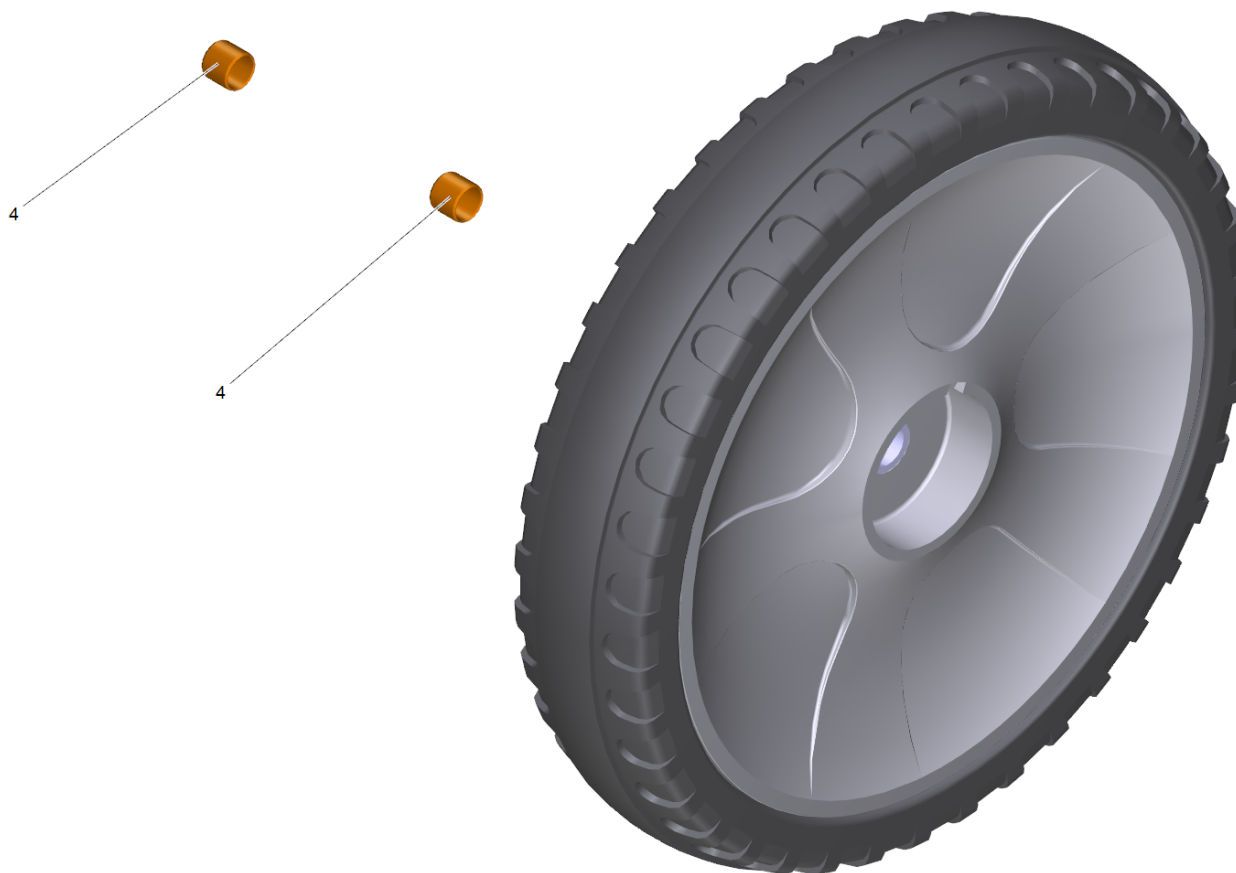


20 Transmission

POS	Article no.	Description	Quantity	Unit	Remark	Foot note text
58	4.021-179.0	Angle complete	1.000	ST		
19	5.032-917.0	Axle drum left	1.000	ST		
18	5.032-906.0	Axle drum right	1.000	ST		
3	7.401-008.0	Ball bearing 6001-2RS-EDELSTAHL DIN 625	2.000	ST		
54	7.401-054.0	Ball bearing 6001-2RS W-St. DIN 625-1	4.000	ST		
46	5.625-467.0	Belt pulley	1.000	ST		
36	4.040-816.0	Belt pulley complete	1.000	ST		
50	6.641-460.0	Cable clamp	2.000	ST		
66		Cable potential equalisation KM 70/30 W	1.000	ST	for 1.517-212.0/ 213.0/-214.0/-218.0/-219.0	
16	2.644-246.0	Conversion kit spring clip KM 70/30	1.000	ST		
17	5.032-653.0	Covering cap	2.000	ST		
49	6.646-698.0	Distance holder	3.000	ST		
41	6.613-324.0	Electric motor 12V 150W	1.000	ST		
10	6.365-360.0	Gasket disc	2.000	ST		
53	7.311-425.0	Hexagon nut M6 -04-A2E DIN 985	1.000	ST		
23	7.311-200.0	Hexagon nut M6 -04-A2E ISO 4035	4.000	ST		
38	7.343-003.0	Locking ring 12x1-Rf-St DIN 471	1.000	ST		
9	7.343-047.0	Lock washer 10-FST-A2E DIN 6799	2.000	ST		
40	7.343-306.0	Lock washer 12-St-A2E DIN 6799	2.000	ST		
32	6.362-366.0	O-Ring seal 4,0 X 2,0	4.000	ST		
5	4.040-791.0	Pinion sprag clutch complete rechts	1.000	ST		
48	6.403-055.0	Plain bearing	4.000	ST		
25	5.008-926.0	Plate spring steel	1.000	ST		
64	6.906-041.0	Reversing rolling mill	1.000	ST		OPTION
64	6.907-023.0	Reversing rolling mill antistatic	1.000	ST		OPTION
64	6.903-999.0	Reversing rolling mill hard	1.000	ST		OPTION
64	6.903-995.0	Reversing rolling mill soft	1.000	ST		OPTION
37	6.348-028.0	Round belt D 8	1.000	ST		
51	7.303-129.0	Screw 4x16 -10.9-R2R (K-In6Rd)	2.000	ST		
7	7.303-107.0	Screw 5x16 -10.9-P2R (K-In6Rd)	14.000	ST		
33	7.303-210.0	Screw 5x30 -10.9-P2R (In6Rd)	1.000	ST		

20 Transmission

POS	Article no.	Description	Quantity	Unit	Remark	Foot note text
13	7.303-113.0	Screw 6x25 -10.9-R2R (In6Rd)	6.000	ST		
22	7.306-118.0	Screw M 6x35 -8.8-R3R (In6Rd)	4.000	ST		
27	5.363-630.0	Seal	1.000	ST		
26	2.644-184.0	Set handhold height adjustment	1.000	ST		
6	2.644-185.0	Set side strip cpl. KM 70/30 C	1.000	ST		
4	2.889-086.0	Set wheel cap	2.000	ST		
61	5.100-635.0	Shaft	1.000	ST		
65	5.100-642.0	Shaft	1.000	ST		
8	7.343-099.0	Shim ring 12x18x0,5 -St2K50 DIN 988	4.000	ST		
11	5.394-803.0	Skirting left	1.000	ST		
63	5.033-585.0	Sleeve	1.000	ST		
47	5.116-202.0	Spacer sleeve	1.000	ST		
44	5.110-514.0	Spacer sleeve	1.000	ST		
57	5.112-814.0	Spacer sleeve	1.000	ST		
16	6.313-022.0	Spring clip	1.000	ST		
21	5.032-643.0	Stub axle left	1.000	ST		
20	5.032-640.0	Stub axle right	1.000	ST		
59	7.307-210.0	Threaded pin M4x6-CuZn-E2E ISO 7434	2.000	ST		
52	5.309-152.0	Threaded rod	1.000	ST		
35	6.348-432.0	Toothed belt HTD 330-3M-15	1.000	ST		
42	5.625-534.0	Toothed belt pulley steel 15 Z	1.000	ST		
67	7.312-167.0	Toothed lock washer A6,4-FSt-A3E DIN 67	2.000	ST		for 1.517-212.0/ 213.0/-214.0/-218.0/-219.0
12	5.115-628.0	Washer	4.000	ST		
55	7.312-003.0	Washer 6 -200HV-A3E ISO 7089	1.000	ST		
39	7.312-008.0	Washer 12-200HV-A3E ISO 7089	1.000	ST		
1	4.515-355.0	Wheel complete	2.000	ST		

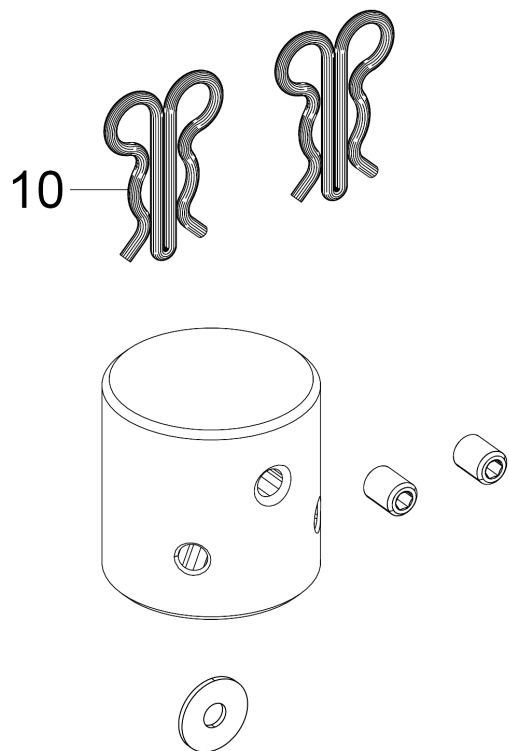


1 Wheel complete (4.515-355.0)

POS	Article no.	Description	Quantity	Unit
4	6.403-055.0	Plain bearing	2.000	ST

5 Pinion sprag clutch complete rechts (4.040-791.0)

POS	Article no.	Description	Quantity	Unit
4	5.033-585.0	Sleeve	1.000	ST



use 2.644-246.0 for:

1.517-212.0 till s. no. 10942

1.517-213.0 till s. no. 22462

1.517-214.0 till s. no. 11178

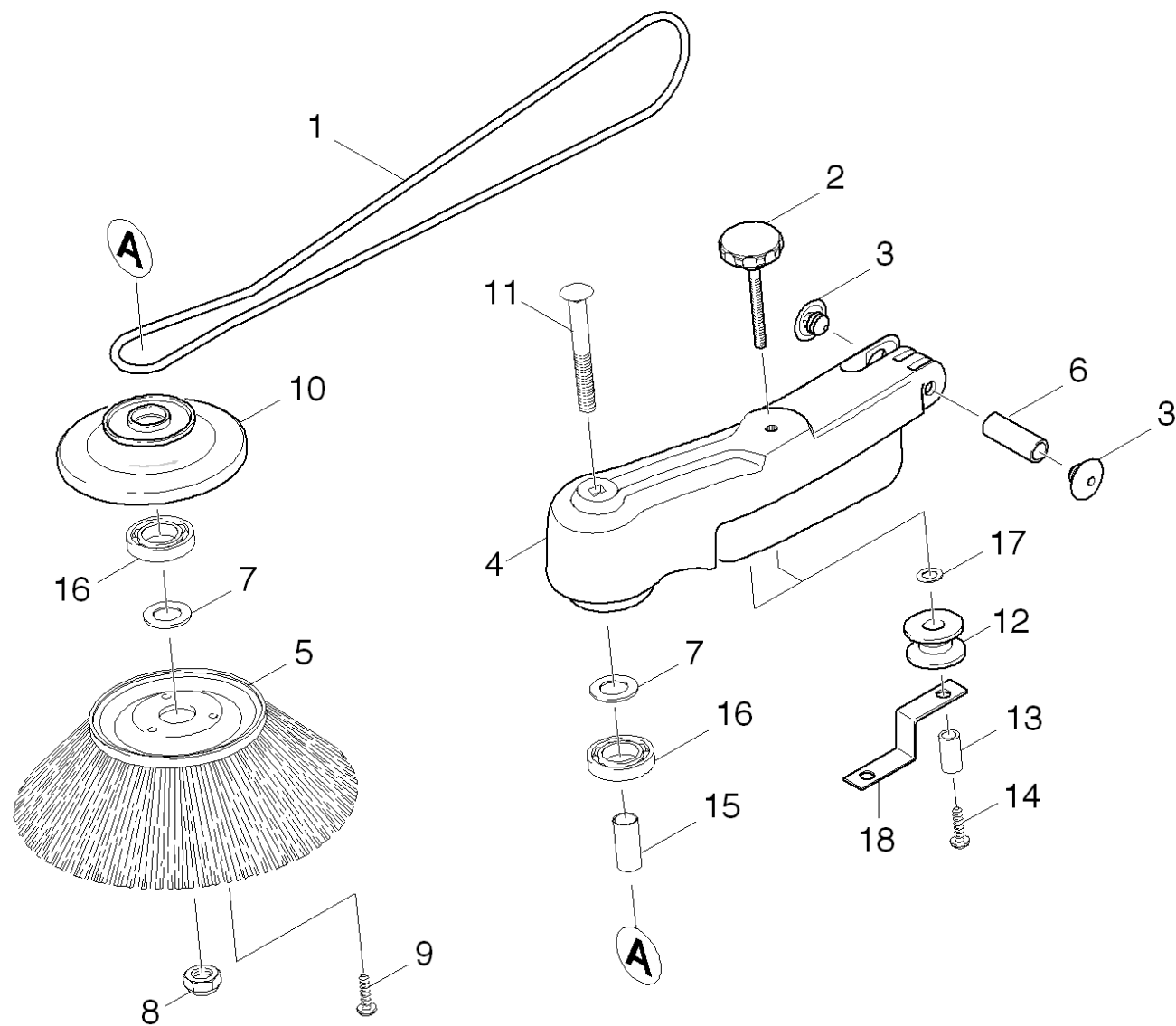
1.517-218.0 till s. no. 11277

16 Conversion kit spring clip KM 70/30 (2.644-246.0)

POS	Article no.	Description	Quantity	Unit
10	6.313-022.0	Spring clip	2.000	ST

36 Belt pulley complete (4.040-816.0)

POS	Article no.	Description	Quantity	Unit
3	7.303-108.0	Screw 5x20 -10.9-R2R (In6Rd)	5.000	ST



30 Side broom

POS	Article no.	Description	Quantity	Unit
4	5.032-638.0	Arm side broom	1.000	ST
16	7.401-008.0	Ball bearing 6001-2RS-EDELSTAHL DIN 625	2.000	ST
12	6.997-622.0	Deflection pulley	2.000	ST
10	6.966-002.0	Flange	1.000	ST
8	7.311-511.0	Hexagon nut M10-8-A2E ISO 7040	1.000	ST
3	6.385-935.0	Plug	2.000	ST
1	6.348-020.0	Round belt	1.000	ST
11	7.303-208.0	Saucer-head screw M10x130-St-A0P DIN 60	1.000	ST
14	7.303-114.0	Screw 6 x 35-ST-10.9-R2R (IN6RD)	2.000	ST
9	6.303-092.0	Screw 6X20	3.000	ST
18	5.061-356.0	Sheet metal component belt side broom	1.000	ST
6	5.116-119.0	Sleeve	1.000	ST
15	6.966-020.0	Spacer sleeve 12x0,8x31	1.000	ST
5	2.884-935.0	Spare parts set side broom	1.000	ST
13	6.966-009.0	Tube 10x1,5x16	2.000	ST
2	6.321-176.0	Turning knob yellow D55mm	1.000	ST
17	7.312-276.0	Washer 6 -200HV-A2E ISO7093-1	2.000	ST
7	7.312-153.0	Washer 10 -160HV-A3E EN28738	2.000	ST