

Spare parts list

(5.958-181.0) Spare parts list HD 690 400V 3 PH 50 H

DE HINWEISE

Weitere Sprachen:

Diese Ersatzteilliste ist in weiteren Sprachen erhältlich. Sie erhalten diese unter www.kaercher.com im Bereich Service.

Die Schreibweise der Teilenummer, z.B. 75456380, entspricht der Teilenummer 7.545-638.0.

Mengenangaben:

Die Mengenangaben in der Ersatzteilliste entsprechen den in der Baugruppe verbauten Stückzahlen der Bauteile.

Meterware:

Ersatzteile welche als Meterware geliefert werden sind auf Einbaulänge selbst zu kürzen. Die Stückzahlen sind als Mindestbestellmenge =1m angegeben und müssen je nach Bedarf auf weitere volle Meterzahlen erhöht werden.

Versionen/ Werknummern:

Sind Versionen oder Werknummern in der Ersatzteilliste angegeben, ist anhand dieser vor Bestellung zu prüfen, welches Bauteil für ihr Gerät verwendet werden muss.

Lackierte Teile:

Bei Bestellungen von lackierten Teilen welche in der Ersatzteilliste nicht in verschiedenen Farben ausgewiesen sind, ist zusätzlich die Farbnummer oder Farbe mit anzugeben.

Technische Änderungen:

Technische Änderungen sowie das Recht der ausschließlichen Auswertung unseres geistigen Eigentums behalten wir uns vor.

EN INSTRUCTIONS

Other languages:

This list of spare parts is also available in other languages. You can get this list from www.kaercher.com in the Service division.

The designation of the part number e.g. 75456380 is equal to 7.545-638.0.

Quantity details:

The quantity details in the spare parts list correspond to the number of pieces of the component installed in the assembly group.

Piece goods:

Spare parts that are sold as piece goods are to be cut to the desired length. The quantities have been indicated as minimum order quantity =1m and must be rounded off to the full meter figure depending on your requirements.

Version/ Plant numbers:

If version or plant numbers are mentioned in the spare parts list, then use the same to check before ordering which spare part needs to be used for your appliance.

Painted parts:

While ordering painted parts that are not mentioned in the spare parts list in their colour variations, please mention the colour number or the colour you require.

Technical changes:

We reserve the right to make technical changes as well as the right to exclusive use of our intellectual property.

FR REMARQUES

Autres langues:

Cette liste de pièces de rechange est disponible en autres langues. Cela est disponible sous www.kaercher.com dans le menu Service.

La désignation du numéro de pièce, par ex. 75456380, correspond au numéro de pièce 7.545-638.0.

Indications de quantité:

Les indications de quantité dans la liste de pièces de rechange correspondre aux nombres de pièces des composant utilisées dans la construction.

Matériel au mètre:

Les pièces de rechange qui sont livrées au mètre doivent être raccourcies à longueur souhaitée par l'acheteur même. Les nombres des pièces sont indiquées en quantité de commande minimale = 1m et doivent être augmentés selon le besoin à une chiffre de mètre complète.

Versions/ Numéros d'usine:

Lorsqu'il sont indiquées des versions ou des numéros d'usine dans la liste de pièces de rechange, vous devez vérifier que composant doit être utilisé pour votre appareil.

Pièces laquées:

Pour commander des pièces laquées, où les différentes couleurs ne sont pas indiquées dans la liste des pièces de rechange, vous devez indiquer en plus le numéro de la couleur ou seulement la couleur.

Modifications techniques:

Nous nous réservons la possibilité des modifications techniques ainsi le droit d'exploitation exclusive de notre propriété intellectuelle.

IT AVVERTENZE

Altre lingue:

Il presente elenco di parti di ricambio è disponibile sul nostro sito Web anche in altre lingue: sotto www.kaercher.com alla voce "Service".

L'indicazione del codice pezzo, ad es. 75456380, corrisponde al codice pezzo 7.545-638.0

Indicazioni di quantità:

Le indicazioni di quantità riportate dall'elenco "parti di ricambio" corrispondono al numero delle singole componenti contenute nella rispettiva unità.

Merce a metro:

Le parti di ricambio fornite come "merce a metro" devono venire in seguito accorciate alla lunghezza necessaria per il montaggio. La quantità unitaria è indicata come "quantità minima di ordinazione = 1m" e deve all'occorrenza venire moltiplicata per il numero intero di metri necessari.

Versioni / Numeri di fabbricazione:

Quando l'elenco "parti di ricambio" riporta diverse versioni o numeri di fabbricazione, confrontare la versione o il numero di fabbricazione del ricambio desiderato con quelle/i presenti nell'elenco e indicarla/o al momento dell'ordinazione.

Parti di ricambio verniciate:

Nel caso di ricambi verniciati, se l'elenco parti di ricambio non ne riporta espressamente i diversi colori, al momento dell'ordinazione è necessario indicare anche il colore o il numero del colore desiderato.

Modifiche tecniche:

Ci riserviamo il diritto di apportare modifiche tecniche così come il diritto di utilizzo esclusivo della nostra proprietà intellettuale.

ES INDICACIONES

Otros idiomas:

La lista de piezas de repuesto se puede adquirir en otros idiomas. La puede adquirir en www.kaercher.com en el área de servicios.

La notación de los números de las piezas, p.ej. 75456380 corresponde al número de pieza 7.545-638.0.

Cantidades:

Las indicaciones de cantidades de la lista de piezas de repuesto corresponden al número de piezas montadas en el componente.

Mercancía por metros:

Las piezas de repuesto que se suministran por metros se pueden cortar al largo deseado. La unidad mínima de pedido es de = 1 m y el número de metros completos se puede aumentar según necesidad.

Versiones/números de fábrica:

Si se indica la versión o número de fábrica en la lista de piezas de repuesto, se debe comprobar en ella la pieza a usar para su aparato antes de realizar el pedido.

Piezas lacadas:

Al realizar pedidos de piezas lacadas que no estén indicadas en los diferentes colores en la lista de piezas de repuesto, se debe indicar también la referencia del color o el color.

Modificaciones técnicas:

Reservados los derechos de realizar modificaciones técnicas y aprovechar nuestra propiedad intelectual.

PL WSKAZÓWKI

Pozostałe języki:

Ta lista części zamiennych jest dostępna w także w innych językach. Mogą ją Państwo pobrać ze strony www.kaercher.com w dziale Serwis.

Sposób zapisywania numeru części, np. 75456380, odpowiada numerowi części 7.545-638.0.

Dane ilości:

Dane ilości podane w liście części zamiennych odpowiadają liczbie sztuk podzespołów tworzących dany moduł.

Towar sprzedawany na metry:

Części zamienne dostarczane jako towar sprzedawany na metry po zamontowaniu należy samodzielnie skrócić do potrzebnej długości. Liczba sztuk podana jest jako minimalna ilość zamówienia =1m i w zależności od potrzeb zwiększa się ją o kolejne pełne metry.

Wersje/ Numer zakładu:

Jeżeli w liście części zamiennych podane są wersje lub numery zakładu, przed zamówieniem na ich podstawie należy sprawdzić, który podzespół stosuje się w Państwa urządzeniu.

Części lakierowane:

W przypadku zamówień części lakierowanych, które w liście części zamiennych nie podano w wielu kolorach, należy dodatkowo zaznaczyć nr koloru lub kolor.

Zmiany techniczne:

Zastrzegamy sobie prawo do zmian technicznych oraz wyłącznego wykorzystywania naszej własności intelektualnej.

RU УКАЗАНИЯ:

Другие языки:

Данный список запасных частей также доступен на других языках. Вы найдете его на сайте www.kaercher.com в разделе Service
Маркировка номера детали, например, 75456380, соответствует номеру детали 7.545-638.0.

Указание количества:

Количественные данные в списке запасных частей соответствуют числу компонентов, входящих в состав узлов.

Товар, продаваемый на метры:

Запасные части, продающиеся на метры, необходимо обрезать до нужной длины. Число изделий указано в виде минимального объема заказа = 1м и их количество можно округлить до требуемого по мере необходимости.

Варианты исполнения/заводские номера:

Если варианты исполнения или заводские номера указаны в списке запасных частей, то перед заказом необходимо проверить, какая деталь подходит для вашего устройства.

Лакированные детали:

При заказе лакированных деталей, варианты расцветки которых не указаны в списке запасных частей, необходимо дополнительно указать номер цвета или необходимый для вас цвет.

Технические изменения:

Мы оставляем за собой право на технические изменения, а также право на исключительное использование нашей интеллектуальной собственности.

Table of contents

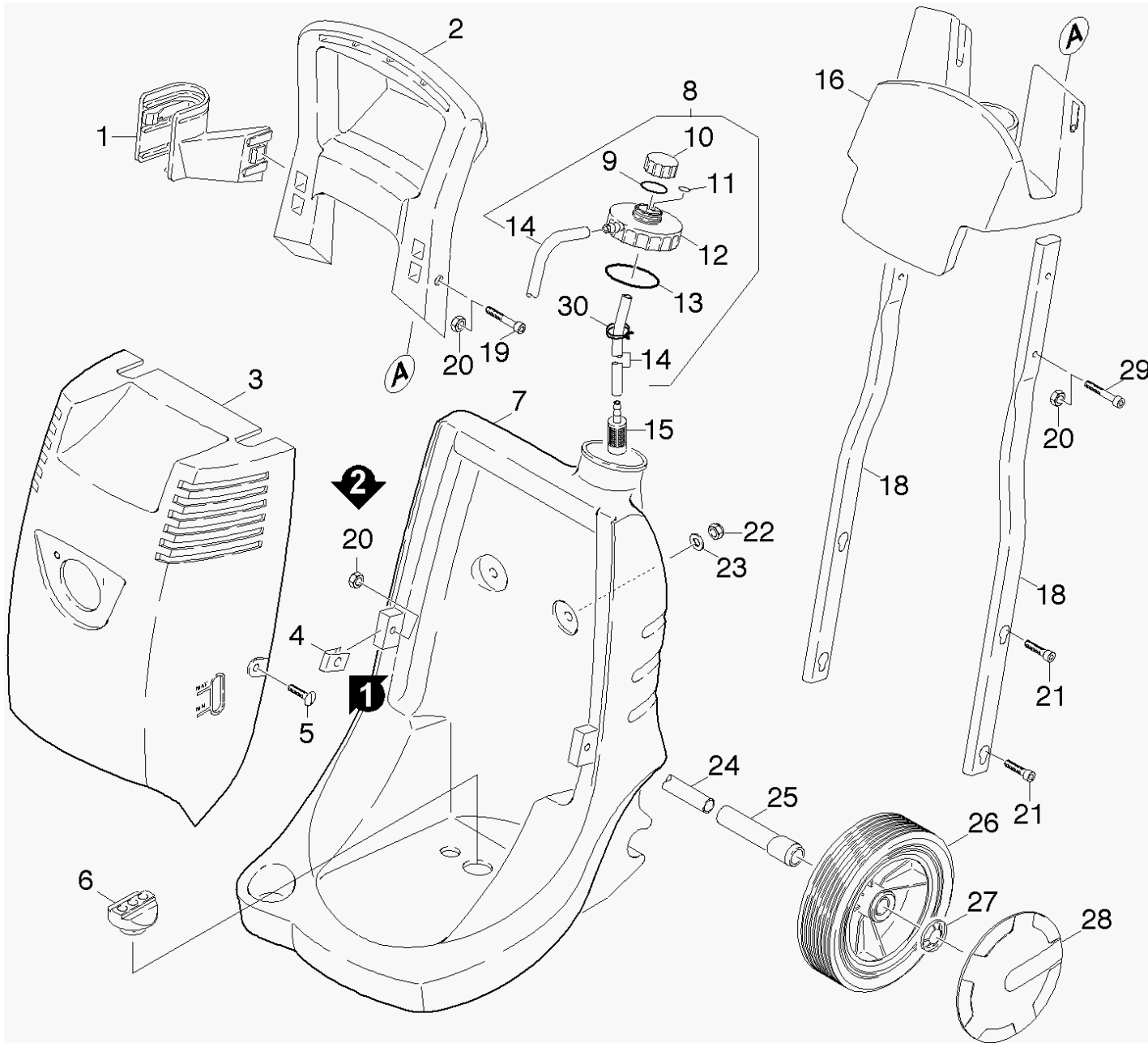
Order instructions	2
Spare parts list HD 690 400V 3 PH 50 H (5.958-181.0)	7
10 Individual parts HD 650	8
20 Pump set	10
21 Cylinder head	11
3 Valve pin complete (4.584-022.0)	13
4 Nozzle insert only for replacement (4.769-034.0)	15
29 Spare part set chemistry (2.883-862.0)	17
100 PUMP SET (2.883-869.0)	19
81 Drain plug only for replacement (4.132-007.0)	20
22 Suction side	22
7 Valve (3 Stück) (2.884-916.0)	24
100 PUMP SET (2.883-869.0)	26
81 Drain plug only for replacement (4.132-007.0)	27
23 Delivery side	29
4 Spindle complete (4.291-014.0)	31
15 Drain plug only for replacement (4.132-007.0)	33
17 Valve (3 Stück) (2.884-916.0)	35
100 PUMP SET (2.883-869.0)	37
81 Drain plug only for replacement (4.132-007.0)	38
24 Piston	40
100 PUMP SET (2.883-869.0)	42
81 Drain plug only for replacement (4.132-007.0)	43
30 Motor	45
31 Ventilation	46
32 Transmission	48
40 Accessories	50
41 Hand trigger gun	51
42 Hand trigger gun	53
5 Lever complete (4.481-209.0)	55
43 Hand trigger gun	57
100 Spare part set (2.883-903.0)	59
44 Hand trigger gun	60
4 Lever complete (4.481-209.0)	62
45 Jet pipe	64
5 Dirt blaster 04 (4.763-252.0)	66
11 Spare parts list dirt blaster (5.955-641.0)	67
10 Dirt blaster	68

Table of contents

Spare part set rotor 170 (2.881-025.0)	71
Spare part set dirt blaster 05 (2.883-472.0)	72
Spare part set dirt blaster 055/06 (2.883-473.0)	73
Spare part set dirt blaster 07/08-HDS 8 (2.883-474.0)	74
Spare part set dirt blaster 045 (2.884-113.0)	75
Spare part set dirt blaster 09 (2.884-316.0)	76
Spare parts set rotor 100 (2.885-196.0)	77
46 Jet pipe	78
Jet pipe packaged only for replacement (4.760-660.0)	80
47 Jet pipe	82
1 Jet pipe packaged only for replacement (4.760-660.0)	84
48 Nozzle	86
49 Nozzle	88
Triple jet nozzle only for replacement 0 (4.767-150.0)	90
1 Triple jet nozzle 040	91
Triple jet nozzle only for replacement 0 (4.767-151.0)	93
2 Spare parts list triple jet nozzle (5.970-837.0)	94
10 Triple jet nozzle plastics	95
20 Triple jet nozzle brass	97
50 Electric control box	99

Spare parts list HD 690 400V 3 PH 50 H (5.958-181.0)

POS	Description	Quantity	Unit
40	Accessories	1.000	ST
50	Electric control box	1.000	ST
10	Individual parts HD 650	1.000	ST
30	Motor	1.000	ST
20	Pump set	1.000	ST

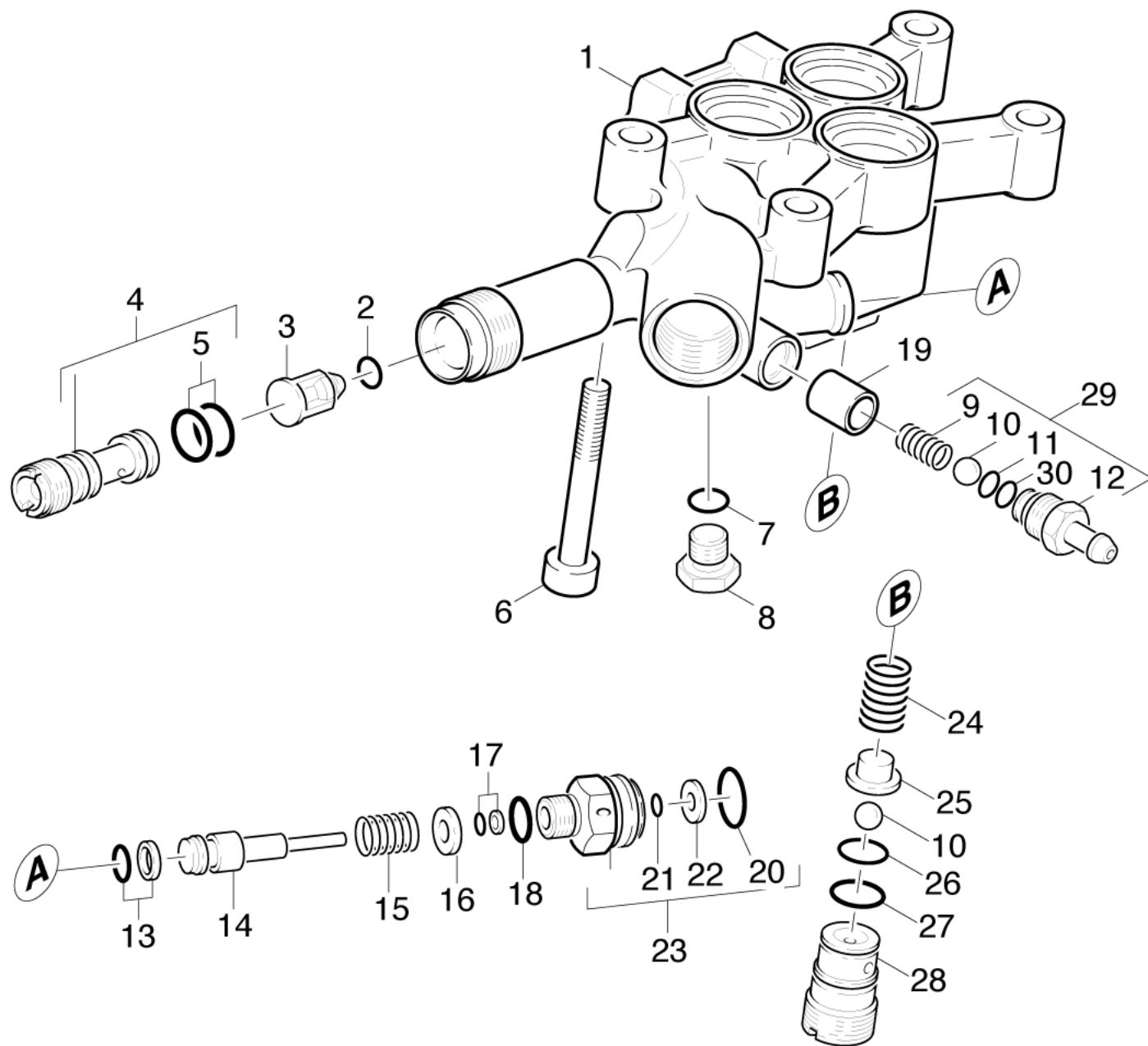


10 Individual parts HD 650

POS	Article no.	Description	Quantity	Unit	Foot note text
12	5.063-822.0	Cap of a tank	1.000	ST	
3	5.067-046.0	Cover only for replacement	1.000	ST	
19	7.306-024.0	Cylinder head screw M6x30 -8.8-A2E ISO4	2.000	ST	
21	7.306-041.0	Cylinder head screw M8x20 -8.8-A2E ISO	4.000	ST	
15	5.731-652.0	Filter with weight	1.000	ST	
10	5.321-473.0	Handhold chemistry	1.000	ST	
20	7.311-003.0	Hexagon nut M6 -8-A2E ISO 4032	4.000	ST	
22	7.311-427.0	Hexagon nut M8 -04-A2E ISO 10511	2.000	ST	
1	5.044-082.0	Holder pistol	1.000	ST	
30	6.389-567.0	Hose clip	1.000	ST	
14	6.388-216.0	Hose DN 5	1.000	M	TO ORDER AS CUT GOODS
7	5.060-682.0	Housing	1.000	ST	
27	6.343-168.0	Lock washer	2.000	ST	
16	5.031-475.0	Moulded part	1.000	ST	
11	6.362-386.0	O-Ring seal 5,0 x 1,5-NBR 80	1.000	ST	
9	6.362-411.0	O-Ring seal 25,0 X 2,0 -NBR 70	1.000	ST	
13	6.362-094.0	O-Ring seal 55,0 X 2,0	1.000	ST	
8	4.580-337.0	Proportioning valve chemistry	1.000	ST	
4	6.310-053.0	Putting nut	2.000	ST	
5	6.304-099.0	Saucer-head screw M 6x 18-4.8-R2R	2.000	ST	
29	7.306-129.0	Screw M6x40 -8.8-R3R (In6Rd)	2.000	ST	
2	5.034-542.0	Shearing shackle	1.000	ST	
25	5.110-715.0	Sleeve	2.000	ST	
6	5.057-068.0	Support	1.000	ST	
18	5.029-427.0	Tube	2.000	ST	
24	5.028-336.0	Tube	1.000	ST	
23	7.312-277.0	Washer 8-200HV-A2E ISO7093-1	2.000	ST	
28	6.435-197.0	Wheel cap zinc yellow	2.000	ST	
26	6.435-196.0	Wheel D 180	2.000	ST	

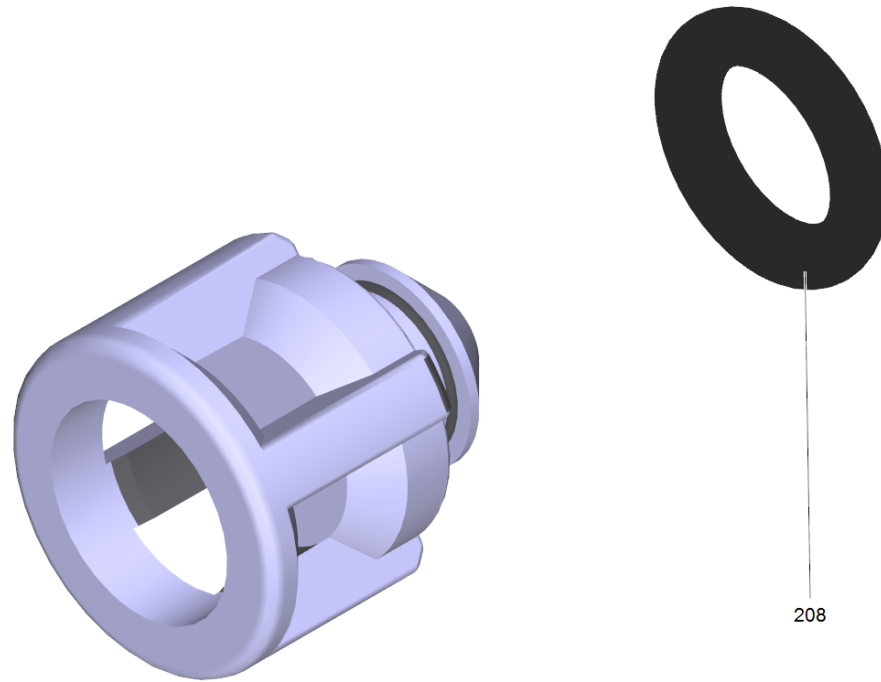
20 Pump set

POS	Description	Quantity	Unit
21	Cylinder head	1.000	ST
23	Delivery side	1.000	ST
24	Piston	1.000	ST
22	Suction side	1.000	ST



21 Cylinder head

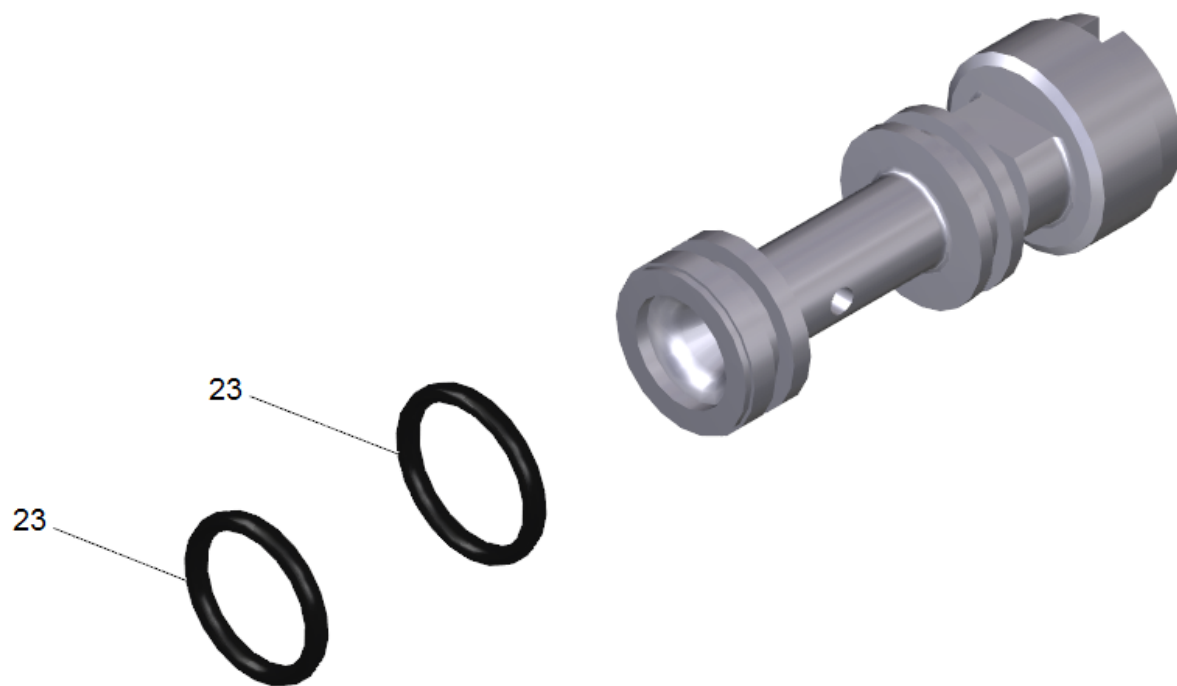
POS	Article no.	Description	Quantity	Unit
1	5.550-265.0	Cylinder head	1.000	ST
6	7.306-047.0	Cylinder head screw M8x60 -8.8-A2E ISO4	4.000	ST
9	5.332-258.0	Helical spring	1.000	ST
24	5.332-203.0	Helical spring	1.000	ST
15	5.332-157.0	Helical spring	1.000	ST
12	5.443-448.0	Nipple chemistry	1.000	ST
4	4.769-034.0	Nozzle insert only for replacement	1.000	ST
21	6.362-586.0	O-Ring seal 2,9 X 1,78 -NBR 70	1.000	ST
2	6.363-613.0	O-Ring seal 4 x 2 -NBR90	1.000	ST
11	6.363-597.0	O-Ring seal 5,28 x 1,78	1.000	ST
7	6.362-101.0	O-Ring seal 8 X 2	1.000	ST
30	6.362-451.0	O-Ring seal 8,0 x 1,0	1.000	ST
18	6.362-528.0	O-Ring seal 9,5 X 2,0	1.000	ST
5	6.362-384.0	O-Ring seal 9x1,5 - NBR 70	2.000	ST
26	6.363-273.0	O-Ring seal 11,0 x 2,0	1.000	ST
27	6.362-169.0	O-Ring seal 12,0 X 2,0	1.000	ST
20	6.362-634.0	O-Ring seal 15,6 x 1,78-NBR 70	1.000	ST
13	6.362-467.0	O-Ring seal complete 1ST.-R.	1.000	ST
17	6.362-587.0	O-Ring seal complete 2,9 -NBR 70	1.000	ST
14	4.553-183.0	Piston complete	1.000	ST
100	2.883-869.0	PUMP SET	1.000	ST
8	5.411-070.0	Screw plug	1.000	ST
23	4.411-008.0	Screw plug	1.000	ST
19	5.110-714.0	Sleeve	1.000	ST
29	2.883-862.0	Spare part set chemistry	1.000	ST
10	7.401-908.0	Sphere 7 G300 -1.4301 DIN 5401	1.000	ST
25	5.582-119.0	Valve disc	1.000	ST
3	4.584-022.0	Valve pin complete	1.000	ST
28	5.583-187.0	Valve screw	1.000	ST
16	5.115-616.0	Washer	1.000	ST
22	5.115-597.0	Washer	1.000	ST



208

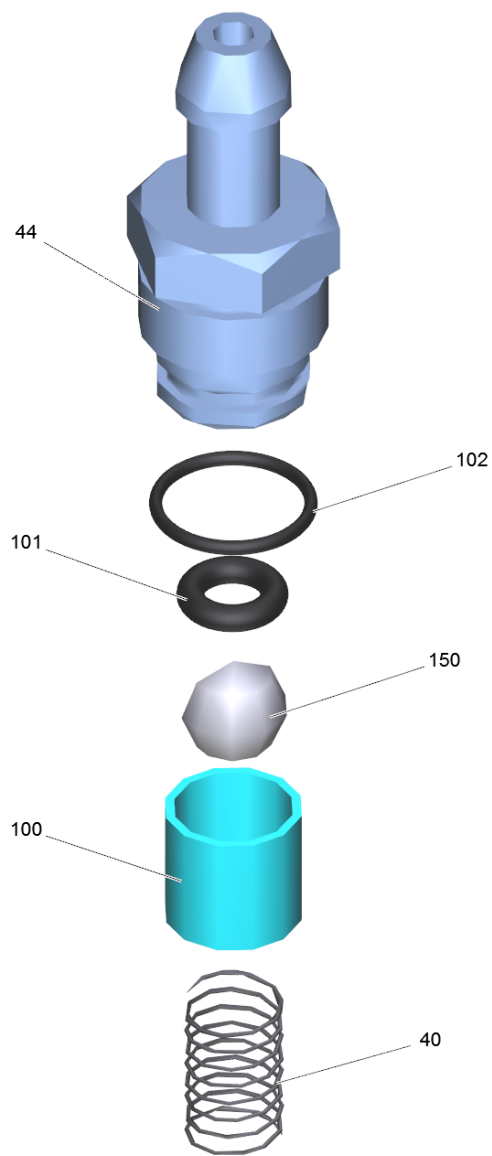
3 Valve pin complete (4.584-022.0)

POS	Article no.	Description	Quantity	Unit
208	6.363-613.0	O-Ring seal 4 x 2 -NBR90	1.000	ST



4 Nozzle insert only for replacement (4.769-034.0)

POS	Article no.	Description	Quantity	Unit
23	6.362-384.0	O-Ring seal 9x1,5 - NBR 70	2.000	ST

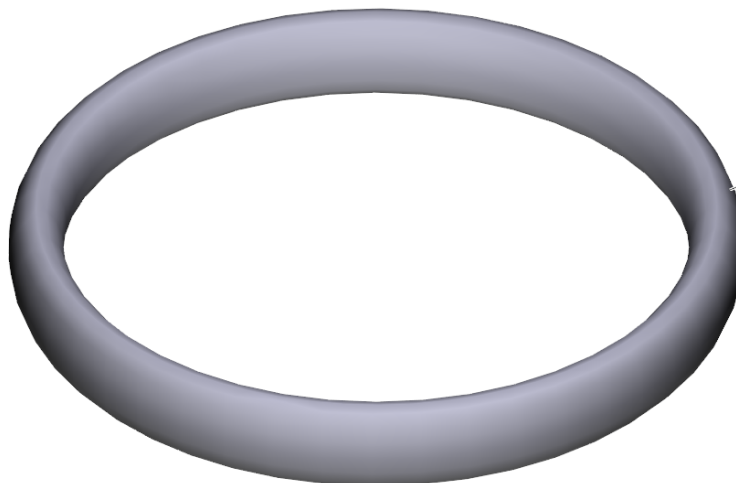
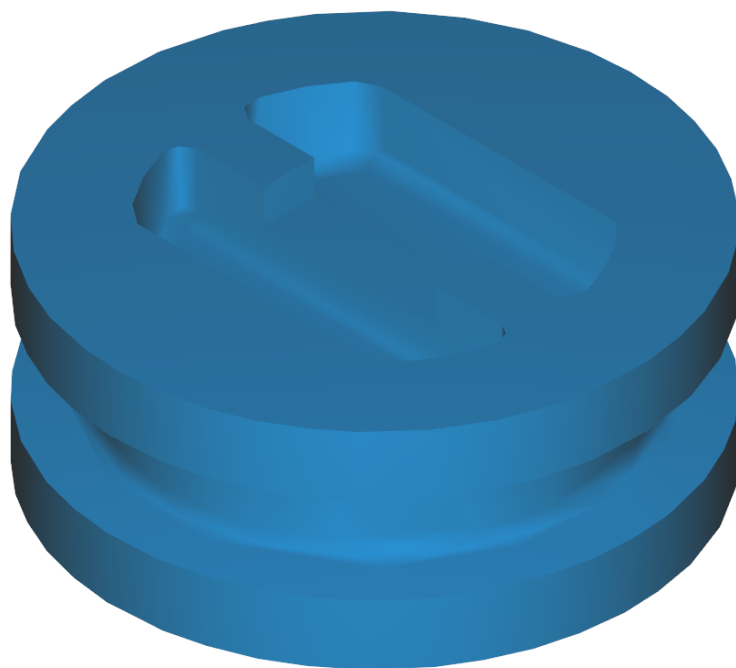


29 Spare part set chemistry (2.883-862.0)

POS	Article no.	Description	Quantity	Unit
130	6.590-384.0	Bag PE 80x120 MM neutral	1.000	ST
40	5.332-258.0	Helical spring	1.000	ST
110	6.376-036.0	Label spare parts neutrally 65x55 MM	1.000	ZST
44	5.443-448.0	Nipple chemistry	1.000	ST
101	6.363-597.0	O-Ring seal 5,28 x 1,78	1.000	ST
102	6.362-451.0	O-Ring seal 8,0 x 1,0	1.000	ST
100	5.110-714.0	Sleeve	1.000	ST
150	7.401-908.0	Sphere 7 G300 -1.4301 DIN 5401	1.000	ST

100 PUMP SET (2.883-869.0)

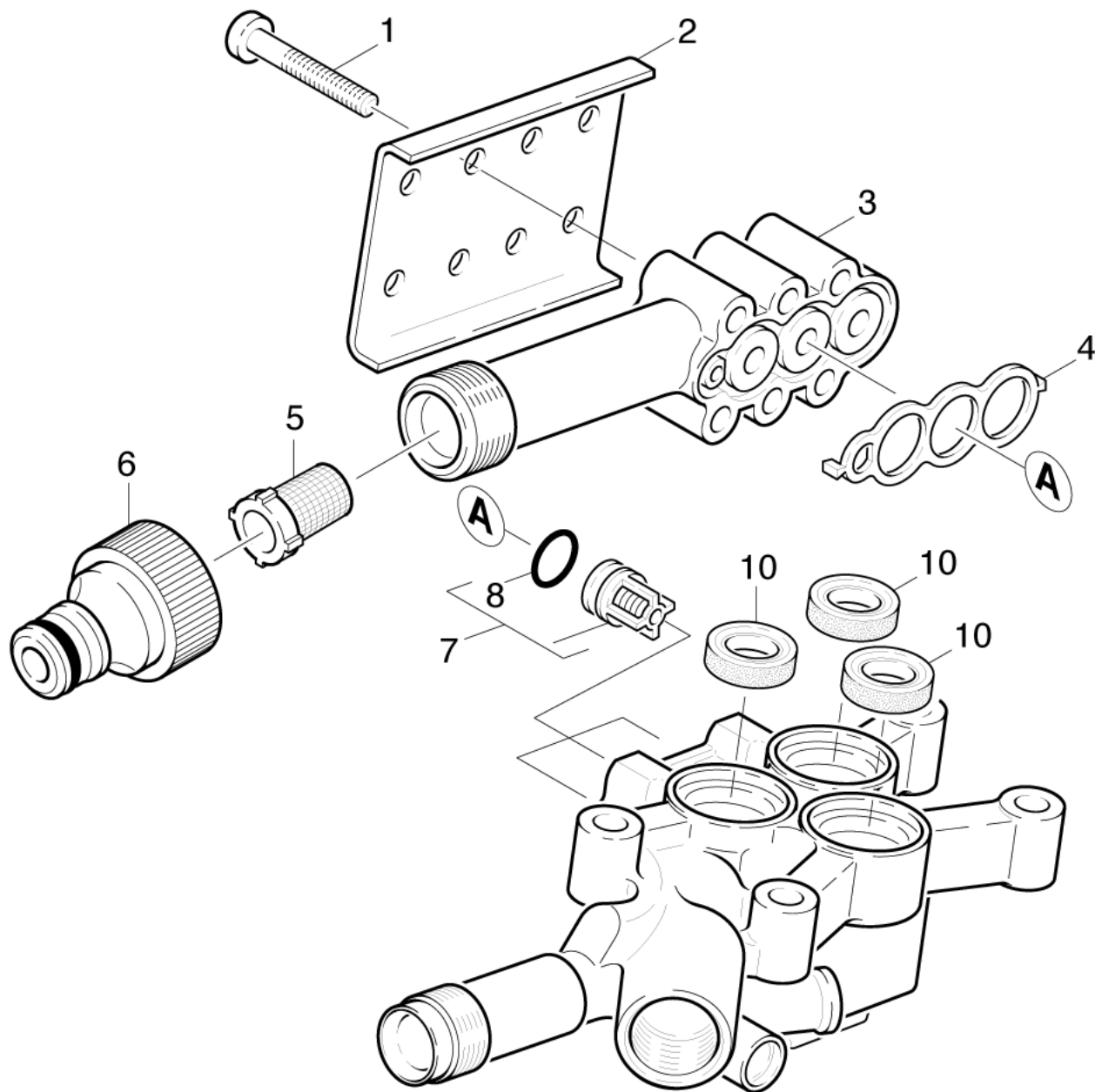
POS	Article no.	Description	Quantity	Unit
80	6.365-438.0	Compact seal	3.000	ST
81	4.132-007.0	Drain plug only for replacement	4.000	ST
70	6.365-432.0	Grooved ring 14x22x5.3	3.000	ST
40	6.362-077.0	O-Ring seal 10 x 2,2 NBR 70	3.000	ST
60	6.362-458.0	O-Ring seal 11,0x2,0-NBR 70	4.000	ST
50	6.362-376.0	O-Ring seal 24,0 X 1,5	3.000	ST
30	5.365-182.0	Profile gasket	1.000	ST
10	4.580-311.0	Valve complete	6.000	ST
20	5.115-465.0	Washer	3.000	ST



18

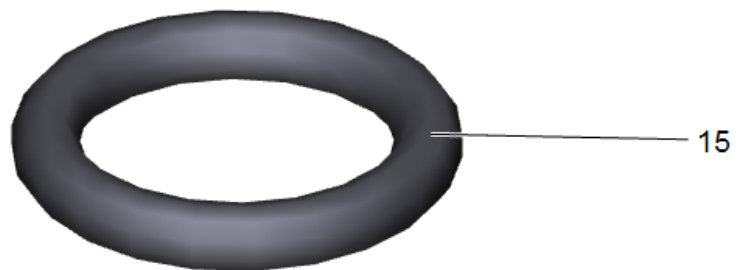
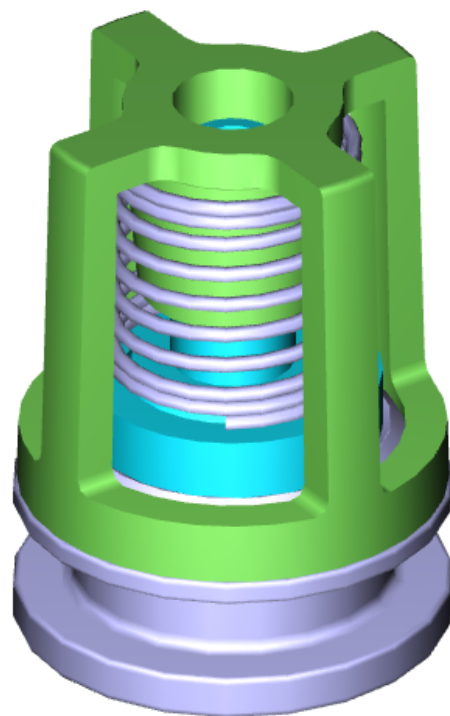
81 Drain plug only for replacement (4.132-007.0)

POS	Article no.	Description	Quantity	Unit
18	6.362-458.0	O-Ring seal 11,0x2,0-NBR 70	1.000	ST



22 Suction side

POS	Article no.	Description	Quantity	Unit
6	6.465-031.0	Connection 3/4	1.000	ST
10	6.365-432.0	Grooved ring 14x22x5.3	3.000	ST
8	6.362-077.0	O-Ring seal 10 x 2,2 NBR 70	3.000	ST
2	5.003-068.0	Plate suction cover	1.000	ST
4	5.365-182.0	Profile gasket	1.000	ST
100	2.883-869.0	PUMP SET	1.000	ST
1	7.306-129.0	Screw M6x40 -8.8-R3R (In6Rd)	4.000	ST
5	6.414-252.0	Strainer	1.000	ST
3	5.063-616.0	Suction cover	1.000	ST
7	2.884-916.0	Valve (3 Stück)	1.000	ST

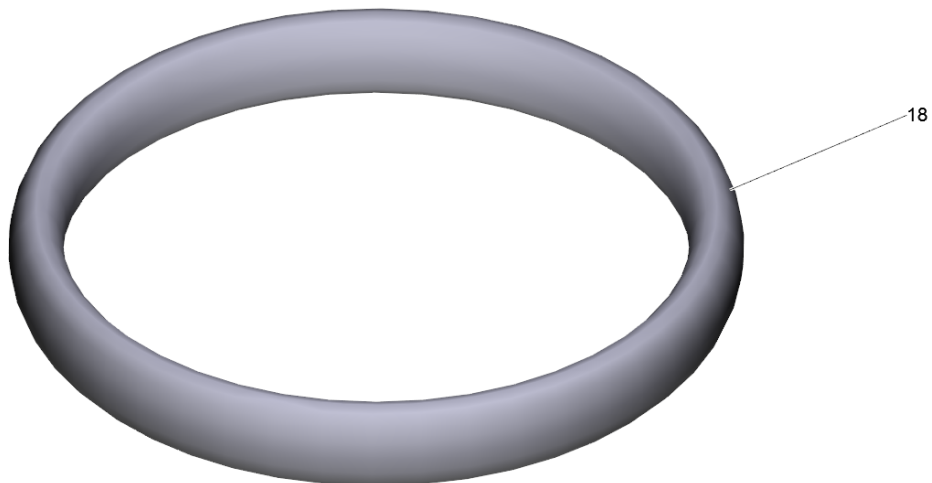
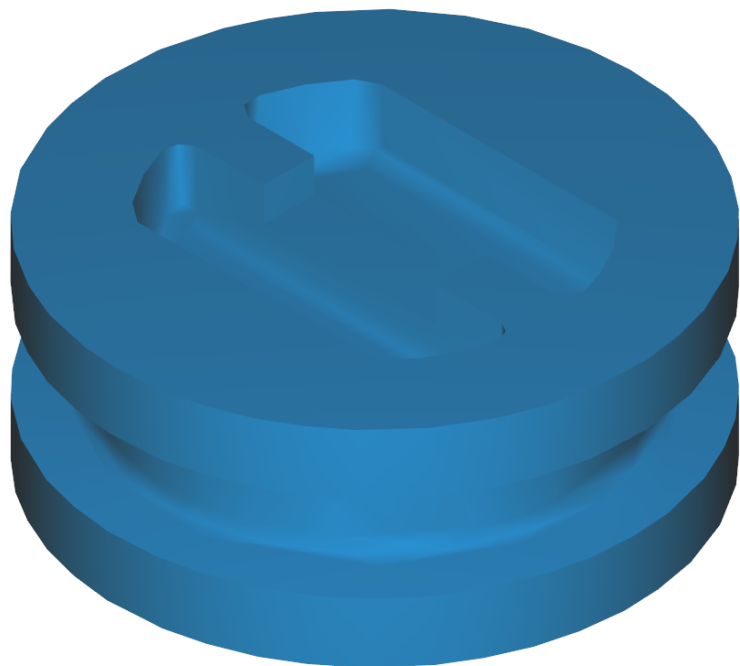


7 Valve (3 Stück) (2.884-916.0)

POS	Article no.	Description	Quantity	Unit
15	6.362-077.0	O-Ring seal 10 x 2,2 NBR 70	1.000	ST

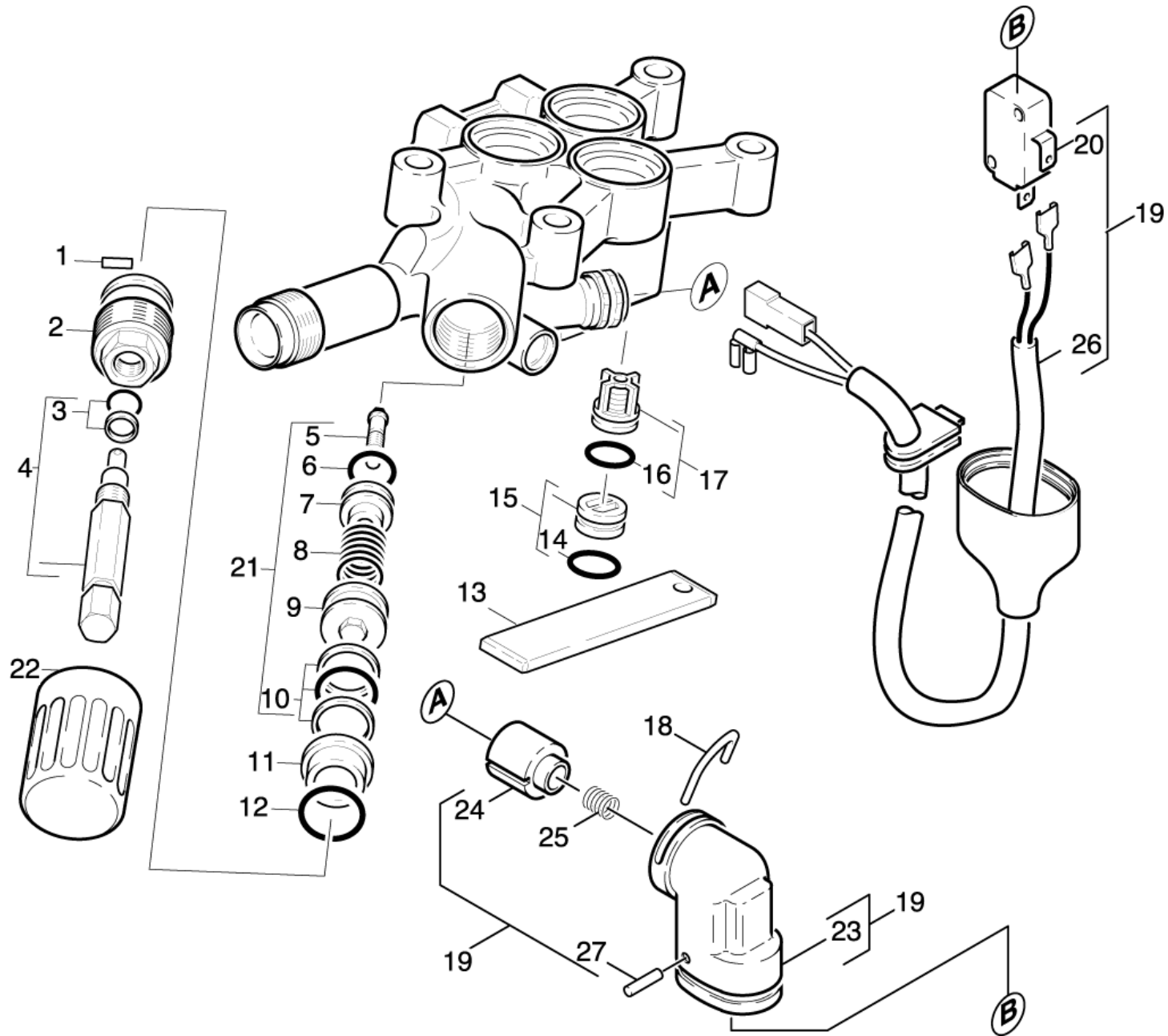
100 PUMP SET (2.883-869.0)

POS	Article no.	Description	Quantity	Unit
80	6.365-438.0	Compact seal	3.000	ST
81	4.132-007.0	Drain plug only for replacement	4.000	ST
70	6.365-432.0	Grooved ring 14x22x5.3	3.000	ST
40	6.362-077.0	O-Ring seal 10 x 2,2 NBR 70	3.000	ST
60	6.362-458.0	O-Ring seal 11,0x2,0-NBR 70	4.000	ST
50	6.362-376.0	O-Ring seal 24,0 X 1,5	3.000	ST
30	5.365-182.0	Profile gasket	1.000	ST
10	4.580-311.0	Valve complete	6.000	ST
20	5.115-465.0	Washer	3.000	ST



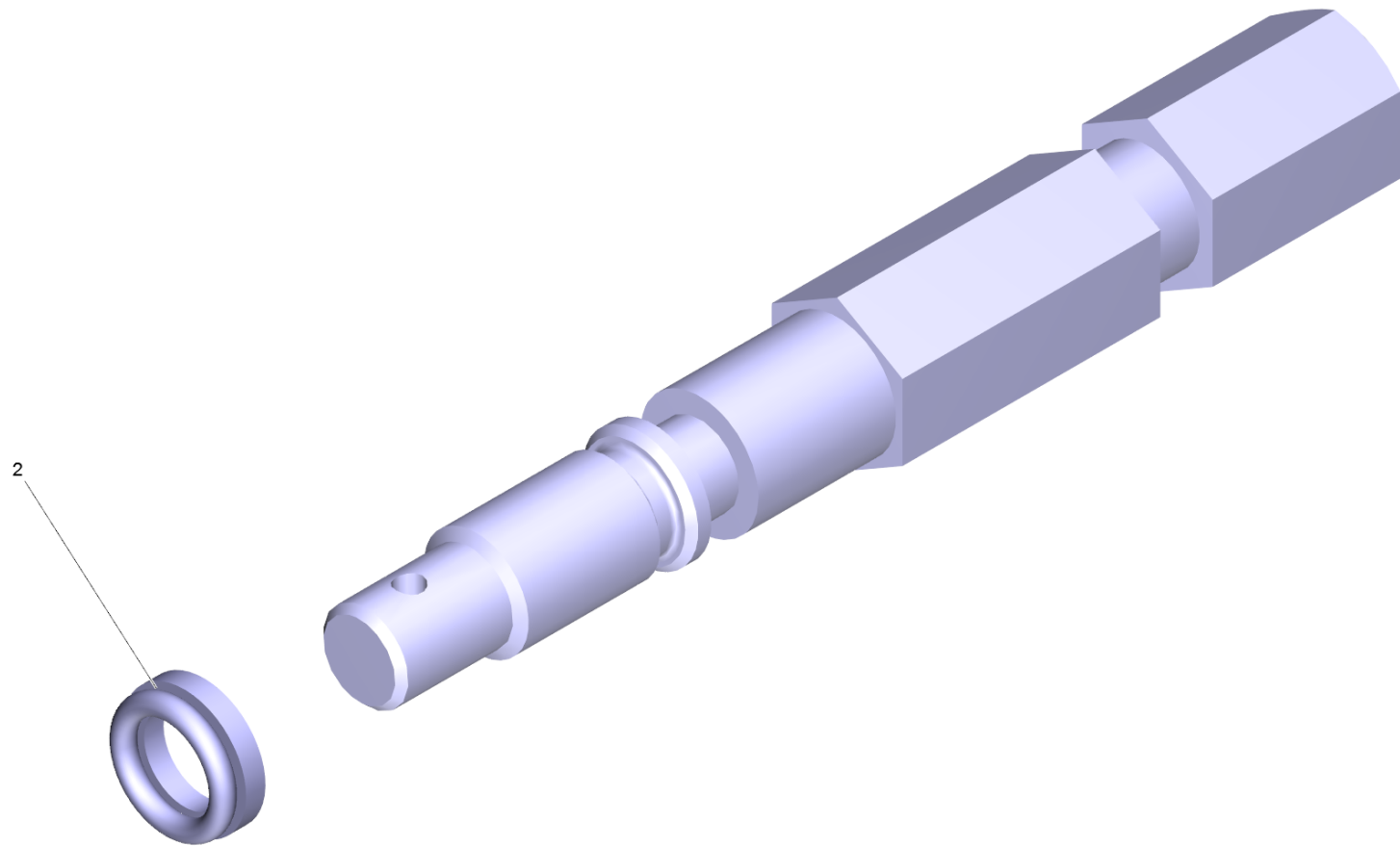
81 Drain plug only for replacement (4.132-007.0)

POS	Article no.	Description	Quantity	Unit
18	6.362-458.0	O-Ring seal 11,0x2,0-NBR 70	1.000	ST



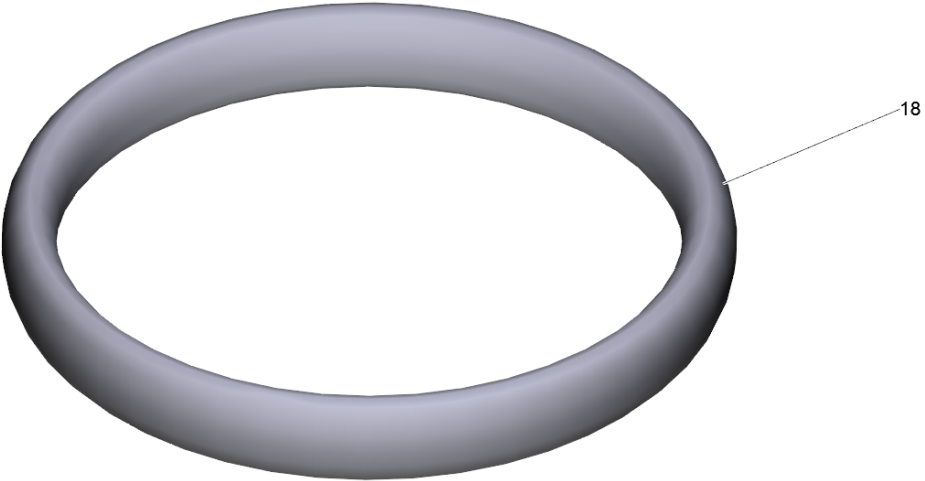
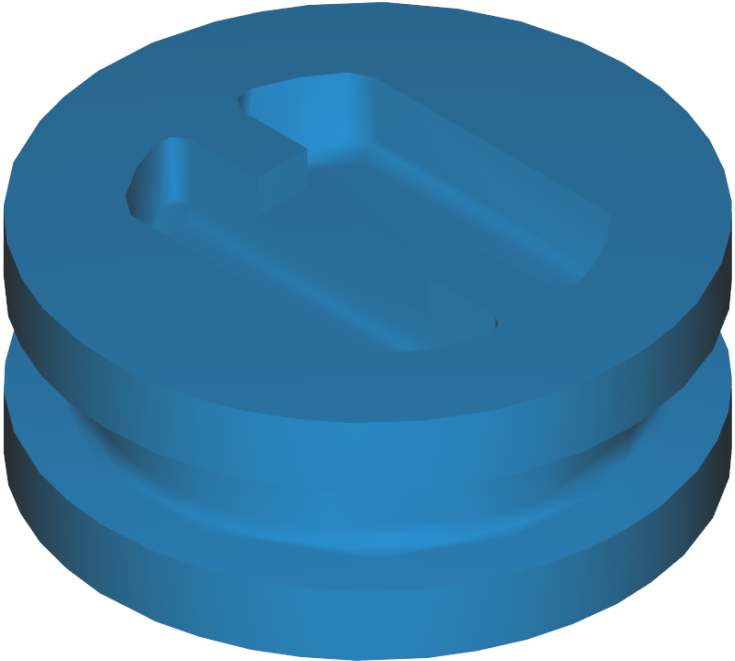
23 Delivery side

POS	Article no.	Description	Quantity	Unit
24	5.053-051.0	Bracket	1.000	ST
26	6.647-818.0	Control cable	1.000	ST
15	4.132-007.0	Drain plug only for replacement	4.000	ST
1	7.314-629.0	Grooved pin 2x10 -A1 ISO 8742	1.000	ST
22	5.321-307.0	Handhold	1.000	ST
8	5.332-425.0	Helical spring	1.000	ST
23	5.042-860.0	Holder	1.000	ST
20	6.631-807.0	Micro switch	1.000	ST
16	6.362-077.0	O-Ring seal 10 x 2,2 NBR 70	3.000	ST
14	6.363-273.0	O-Ring seal 11,0 x 2,0	3.000	ST
6	6.362-169.0	O-Ring seal 12,0 X 2,0	1.000	ST
12	6.362-989.0	O-Ring seal 18x2 - NBR 80	1.000	ST
3	6.362-468.0	O-Ring seal complete 1ST.-R.	1.000	ST
10	6.362-454.0	O-Ring seal complete 2ST.-R.	1.000	ST
21	4.591-038.0	Overflow valve	1.000	ST
9	5.553-390.0	Piston	1.000	ST
13	5.003-062.0	Plate	1.000	ST
100	2.883-869.0	PUMP SET	1.000	ST
18	5.034-494.0	Retaining bracket	1.000	ST
5	5.305-264.0	Shaped screw	1.000	ST
11	5.110-630.0	Sleeve	1.000	ST
4	4.291-014.0	Spindle complete	1.000	ST
25	5.332-322.0	Spring	1.000	ST
27	7.314-664.0	Straight grooved pin 3,0x20-KU ISO 8740	1.000	ST
19	4.744-109.0	Switch complete	1.000	ST
17	2.884-916.0	Valve (3 Stück)	1.000	ST
2	5.583-147.0	Valve screw	1.000	ST
7	5.581-230.0	Valve seat	1.000	ST



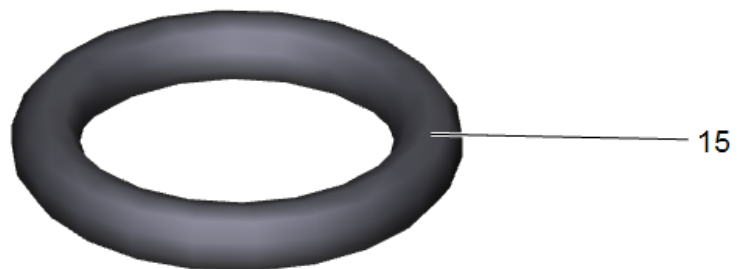
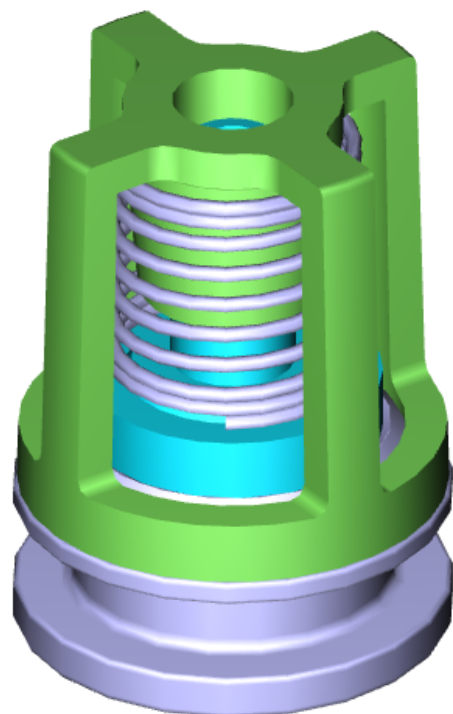
4 Spindle complete (4.291-014.0)

POS	Article no.	Description	Quantity	Unit
2	6.362-468.0	O-Ring seal complete 1ST.-R.	1.000	ST



15 Drain plug only for replacement (4.132-007.0)

POS	Article no.	Description	Quantity	Unit
18	6.362-458.0	O-Ring seal 11,0x2,0-NBR 70	1.000	ST

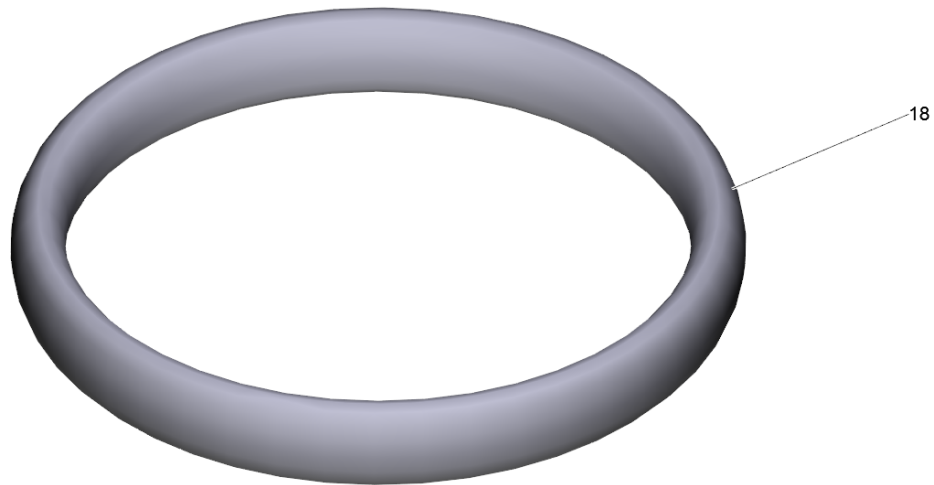
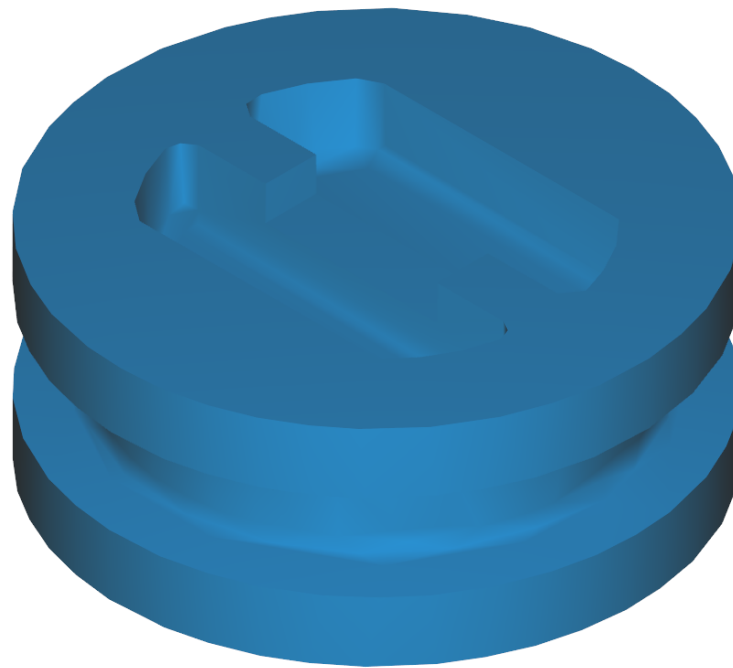


17 Valve (3 Stück) (2.884-916.0)

POS	Article no.	Description	Quantity	Unit
15	6.362-077.0	O-Ring seal 10 x 2,2 NBR 70	1.000	ST

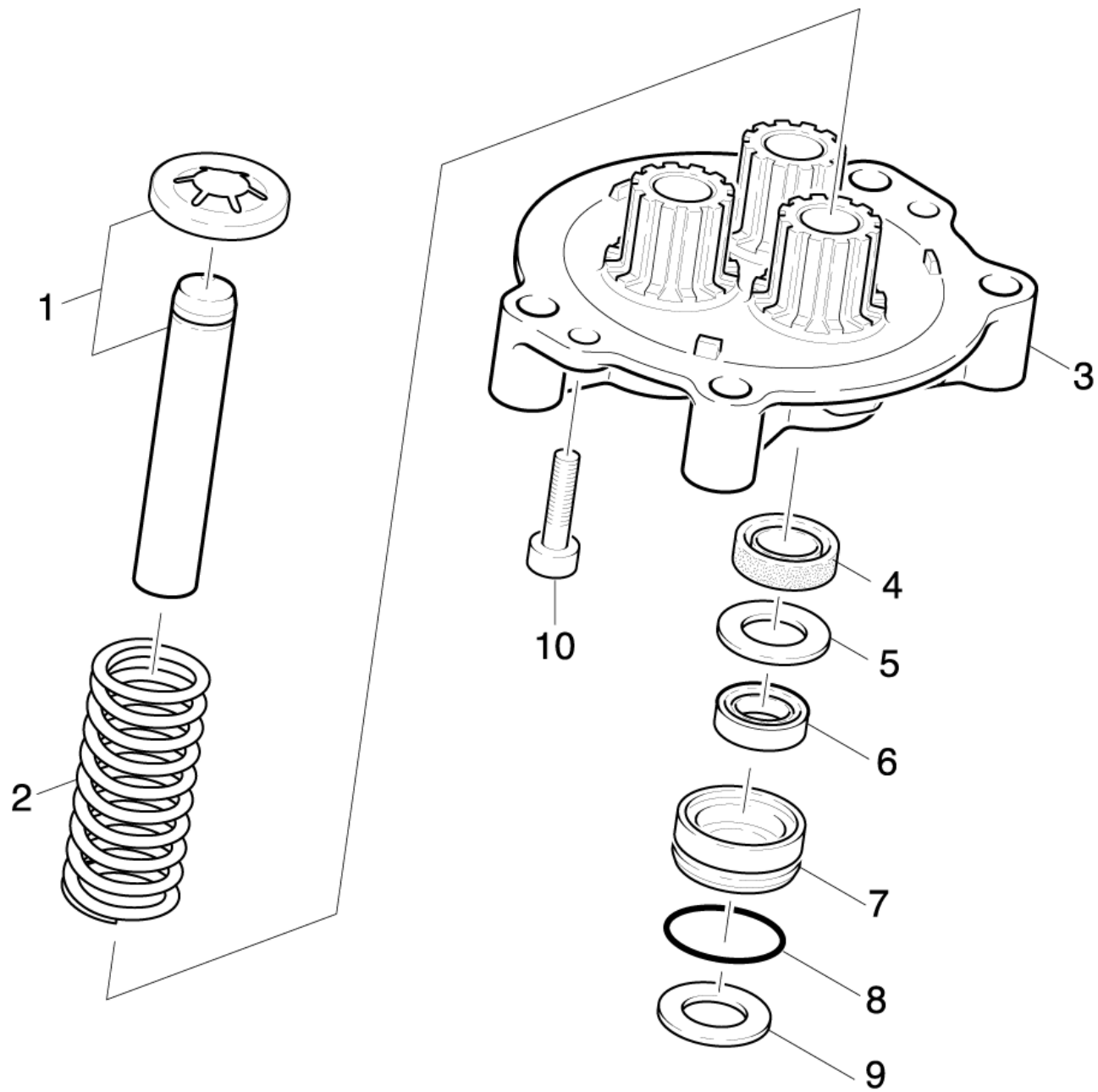
100 PUMP SET (2.883-869.0)

POS	Article no.	Description	Quantity	Unit
80	6.365-438.0	Compact seal	3.000	ST
81	4.132-007.0	Drain plug only for replacement	4.000	ST
70	6.365-432.0	Grooved ring 14x22x5.3	3.000	ST
40	6.362-077.0	O-Ring seal 10 x 2,2 NBR 70	3.000	ST
60	6.362-458.0	O-Ring seal 11,0x2,0-NBR 70	4.000	ST
50	6.362-376.0	O-Ring seal 24,0 X 1,5	3.000	ST
30	5.365-182.0	Profile gasket	1.000	ST
10	4.580-311.0	Valve complete	6.000	ST
20	5.115-465.0	Washer	3.000	ST



81 Drain plug only for replacement (4.132-007.0)

POS	Article no.	Description	Quantity	Unit
18	6.362-458.0	O-Ring seal 11,0x2,0-NBR 70	1.000	ST

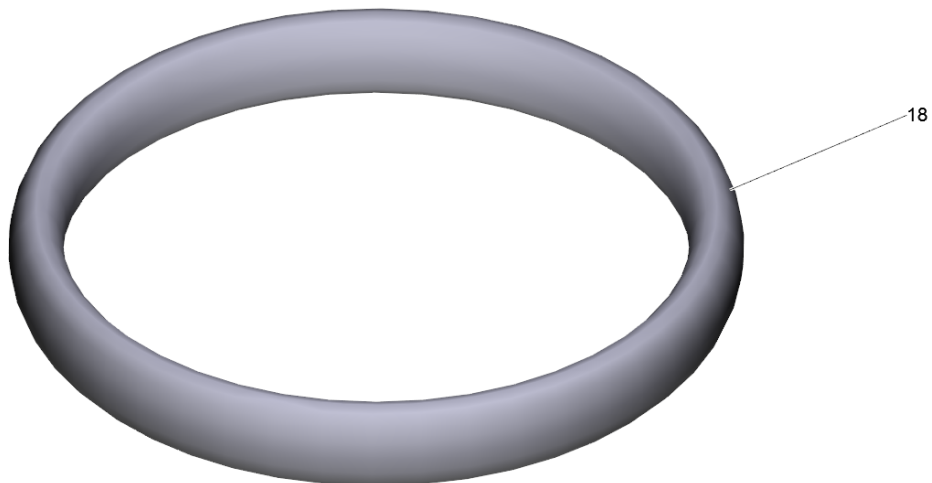
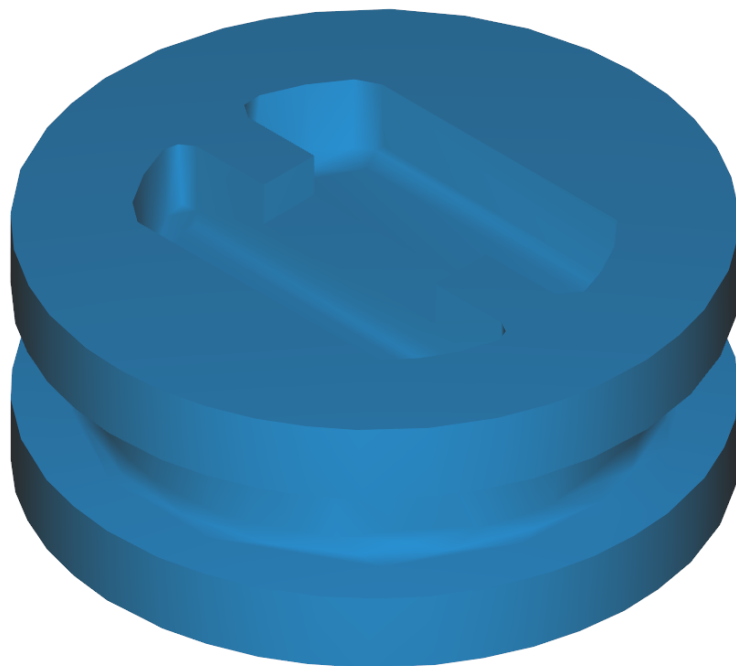


24 Piston

POS	Article no.	Description	Quantity	Unit
7	5.112-576.3	Bush	3.000	ST
6	6.365-438.0	Compact seal	1.000	ST
4	6.365-340.0	Grooved ring 14X22X5/7	3.000	ST
8	6.362-376.0	O-Ring seal 24,0 X 1,5	3.000	ST
1	4.553-304.0	Piston complete only for replacement	3.000	ST
100	2.883-869.0	PUMP SET	1.000	ST
10	7.303-047.0	Screw M6x16 -St-R3R (In6Rd)	2.000	ST
2	5.332-427.0	Spring	3.000	ST
3	5.060-677.0	Thrust guidance	1.000	ST
5	5.115-744.0	Washer	3.000	ST
9	5.115-465.0	Washer	3.000	ST

100 PUMP SET (2.883-869.0)

POS	Article no.	Description	Quantity	Unit
80	6.365-438.0	Compact seal	3.000	ST
81	4.132-007.0	Drain plug only for replacement	4.000	ST
70	6.365-432.0	Grooved ring 14x22x5.3	3.000	ST
40	6.362-077.0	O-Ring seal 10 x 2,2 NBR 70	3.000	ST
60	6.362-458.0	O-Ring seal 11,0x2,0-NBR 70	4.000	ST
50	6.362-376.0	O-Ring seal 24,0 X 1,5	3.000	ST
30	5.365-182.0	Profile gasket	1.000	ST
10	4.580-311.0	Valve complete	6.000	ST
20	5.115-465.0	Washer	3.000	ST

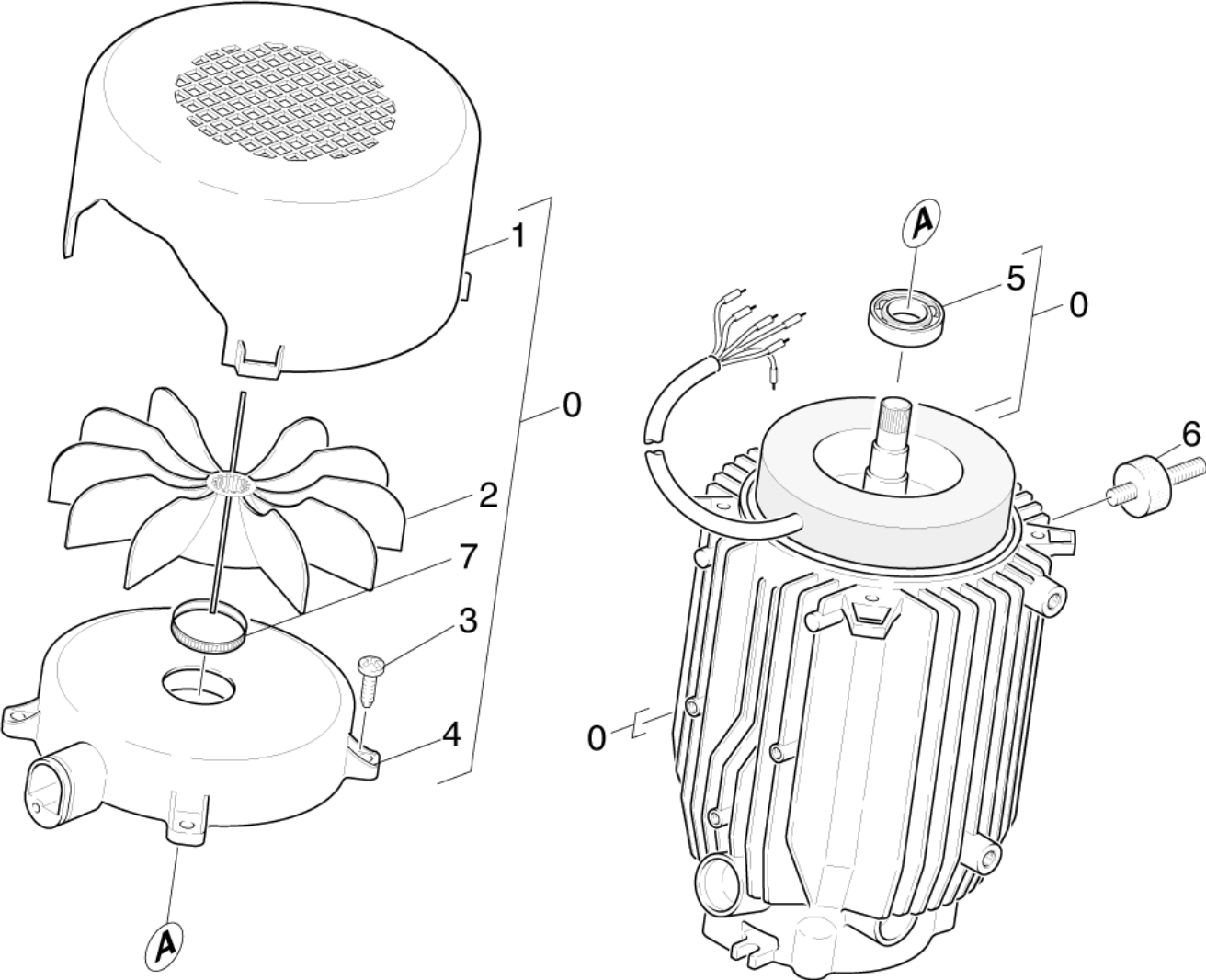


81 Drain plug only for replacement (4.132-007.0)

POS	Article no.	Description	Quantity	Unit
18	6.362-458.0	O-Ring seal 11,0x2,0-NBR 70	1.000	ST

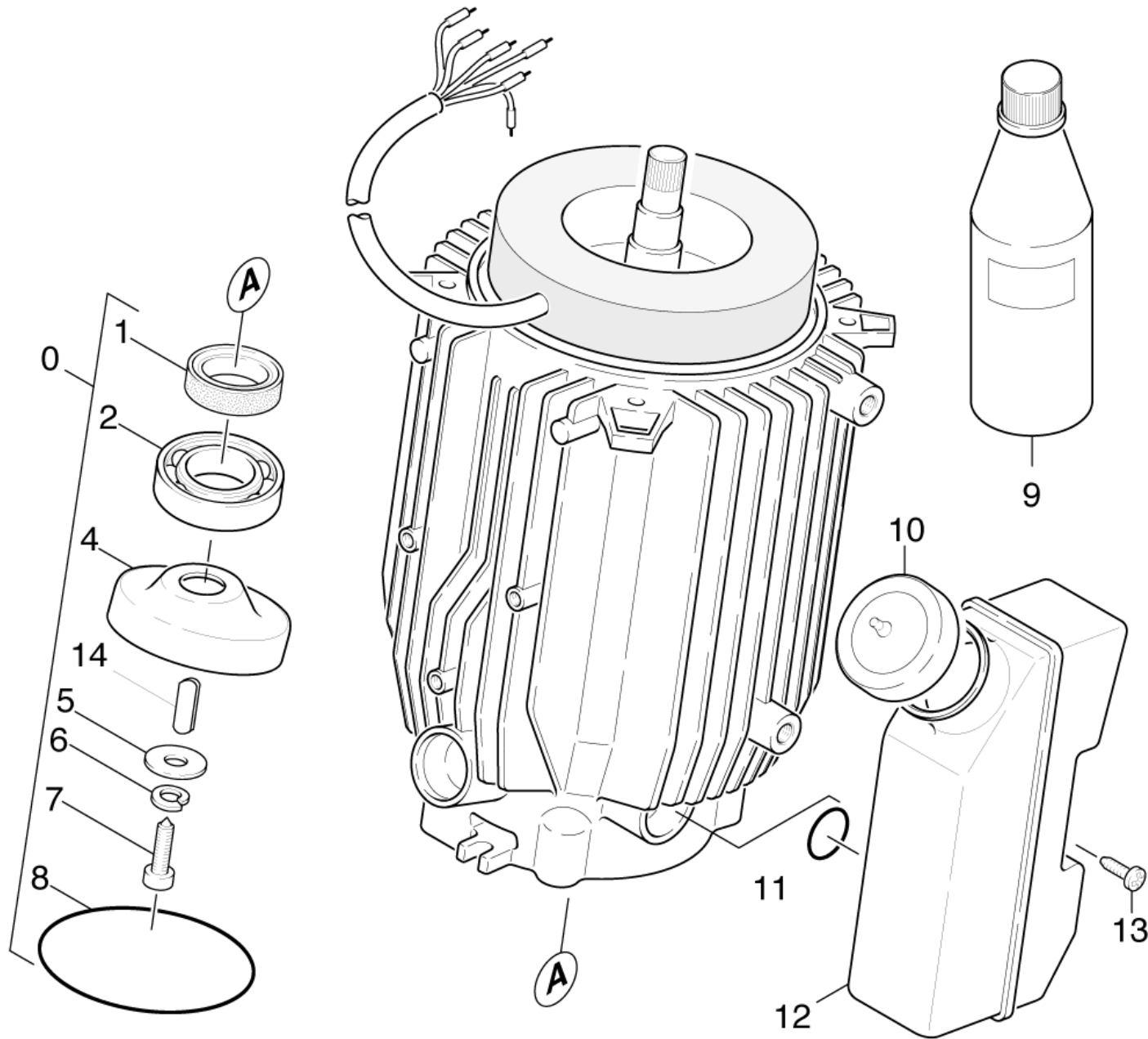
30 Motor

POS	Description	Quantity	Unit
32	Transmission	1.000	ST
31	Ventilation	1.000	ST



31 Ventilation

POS	Article no.	Description	Quantity	Unit
1	5.692-033.0	Air circulation	1.000	ST
5	6.401-331.0	Ball bearing	1.000	ST
4	5.063-802.0	Bearing cover B	1.000	ST
2	5.600-060.0	Blower wheel	1.000	ST
0	4.623-388.0	Motor complete only for replacement (DS)	1.000	ST
6	6.339-182.0	Rubber buffer	1.000	ST
3	6.303-320.0	Screw M 5x 20-St-R2R	1.000	ST
7	6.343-015.0	Tolerance ring 35X6	1.000	ST



32 Transmission

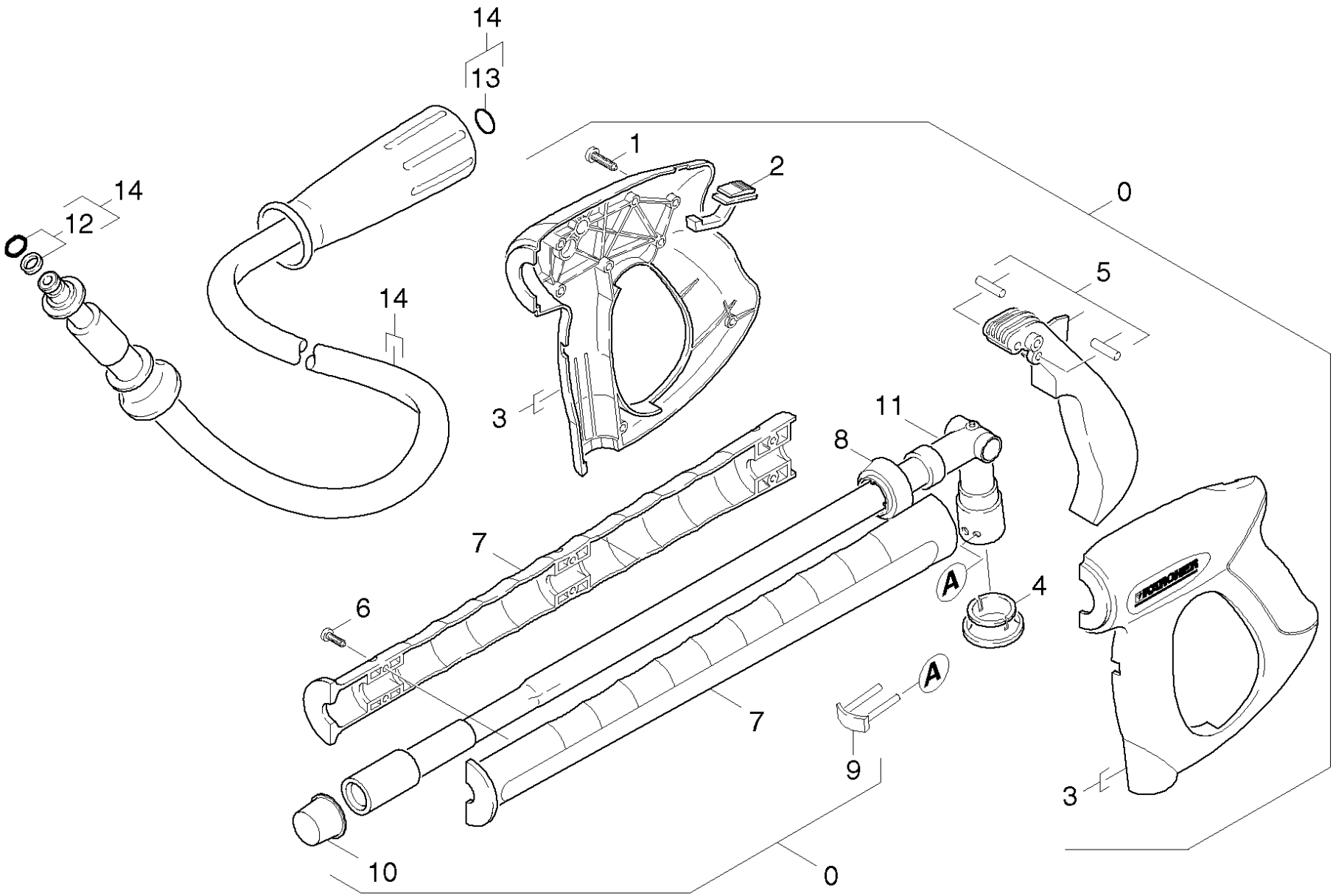
POS	Article no.	Description	Quantity	Unit
2	6.401-427.0	Angular contact ball bearing	1.000	ST
10	5.064-457.0	Cover gusty grey SAE 90	1.000	ST
7	7.306-042.0	Cylinder head screw M8x25 -8.8-A2E ISO4	1.000	ST
9	6.288-016.0	Gear oil 1L	1.000	ST
0	4.623-388.0	Motor complete only for replacement (DS)	1.000	ST
11	6.362-161.0	O-Ring seal 19,3 X 2,4	1.000	ST
8	6.362-768.0	O-Ring seal 88.0X 2.2	1.000	ST
14	7.318-003.0	Parallel key 5X 5X 18-C45R DIN 6885	1.000	ST
1	7.367-008.0	Radial shaft seal ring A25x35x7-NBR DIN	1.000	ST
13	7.303-038.0	Screw M5x12 -St-P2R (In6Rd)	1.000	ST
6	7.313-004.0	Spring washer B 8-FSt-A3E DIN 127	1.000	ST
12	5.070-489.0	Tank oil	1.000	ST
5	7.312-277.0	Washer 8-200HV-A2E ISO7093-1	1.000	ST
4	4.120-181.0	Wobble plate complete only for replaceme	1.000	ST

40 Accessories

POS	Description	Quantity	Unit	Remark
41	Hand trigger gun	1.000	ST	VERSION 1
44	Hand trigger gun	1.000	ST	VERSION 2
43	Hand trigger gun	1.000	ST	VERSION 1
42	Hand trigger gun	1.000	ST	VERSION 2
47	Jet pipe	1.000	ST	VERSION 3
45	Jet pipe	1.000	ST	VERSION 1
46	Jet pipe	1.000	ST	VERSION 2
49	Nozzle	1.000	ST	VERSION 2
48	Nozzle	1.000	ST	VERSION 1

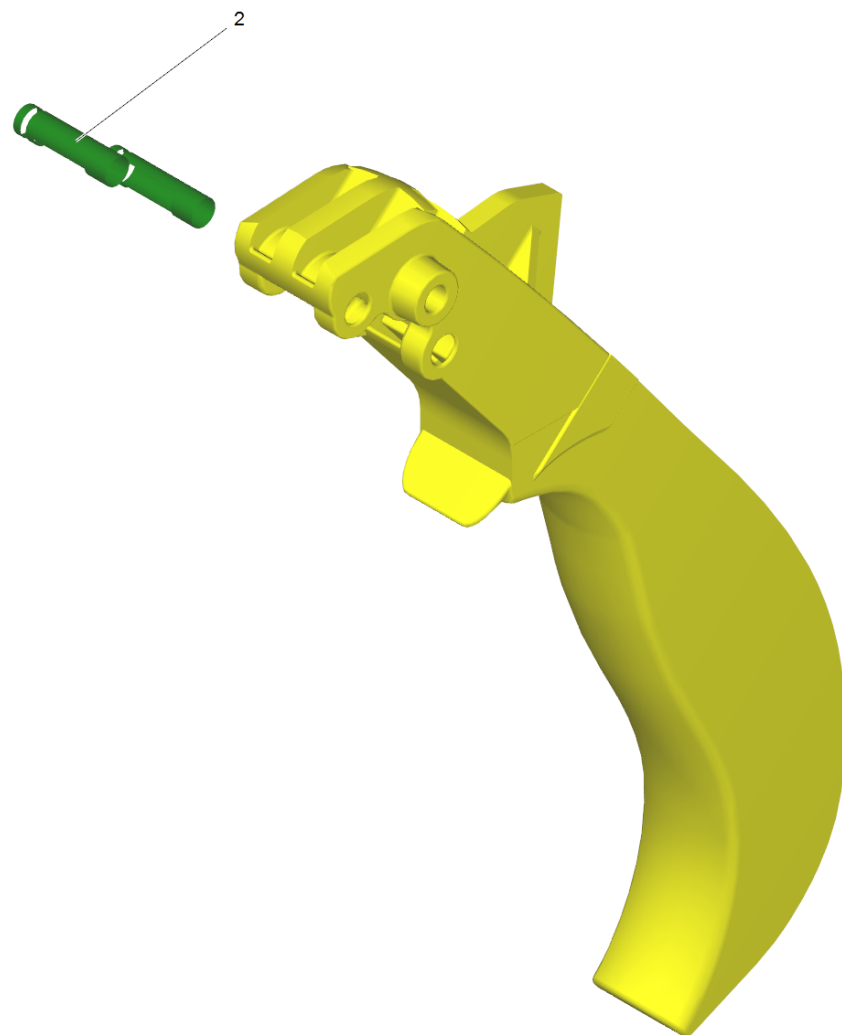
41 Hand trigger gun

POS	Article no.	Description	Quantity	Unit
13	5.107-259.0	Bar	1.000	ST
2	5.321-590.0	Handhold few	1.000	ST
3	5.321-691.0	Handhold few jet pipe	1.000	ST
11	5.332-157.0	Helical spring	1.000	ST
8	4.481-050.0	Lever	1.000	ST
6	5.481-052.0	Lever	1.000	ST
17	6.389-853.0	MANGUEIRA DN6 25MPa 10m HD 655 / 790	1.000	ST
15	4.427-183.0	Manifold	1.000	ST
16	5.031-259.0	Moulded part	1.000	ST
10	6.362-584.0	O-Ring seal 12,42X 1,78	1.000	ST
14	6.362-571.0	O-Ring seal complete /1ST.-R	1.000	ST
19	6.363-115.0	O-Ring seal complete 1ST.-R.	1.000	ST
4	6.303-025.0	Oval head screw 4,2x16-St-vz	7.000	ST
9	6.421-216.0	Pressure gauge	1.000	ST
1	7.303-096.0	Screw 4x22 -ST-10.9-R2R (IN6RD)	6.000	ST
18	2.880-990.0	Spare part set O-Ring 5x -Kaercher	1.000	ST
0	7.777-999.0	Stockpiling discontinued	1.000	ST
7	7.307-417.0	Threaded pin M8x16 -45H-A2E ISO 4026	1.000	ST
12	5.582-058.0	Valve disc	1.000	ST



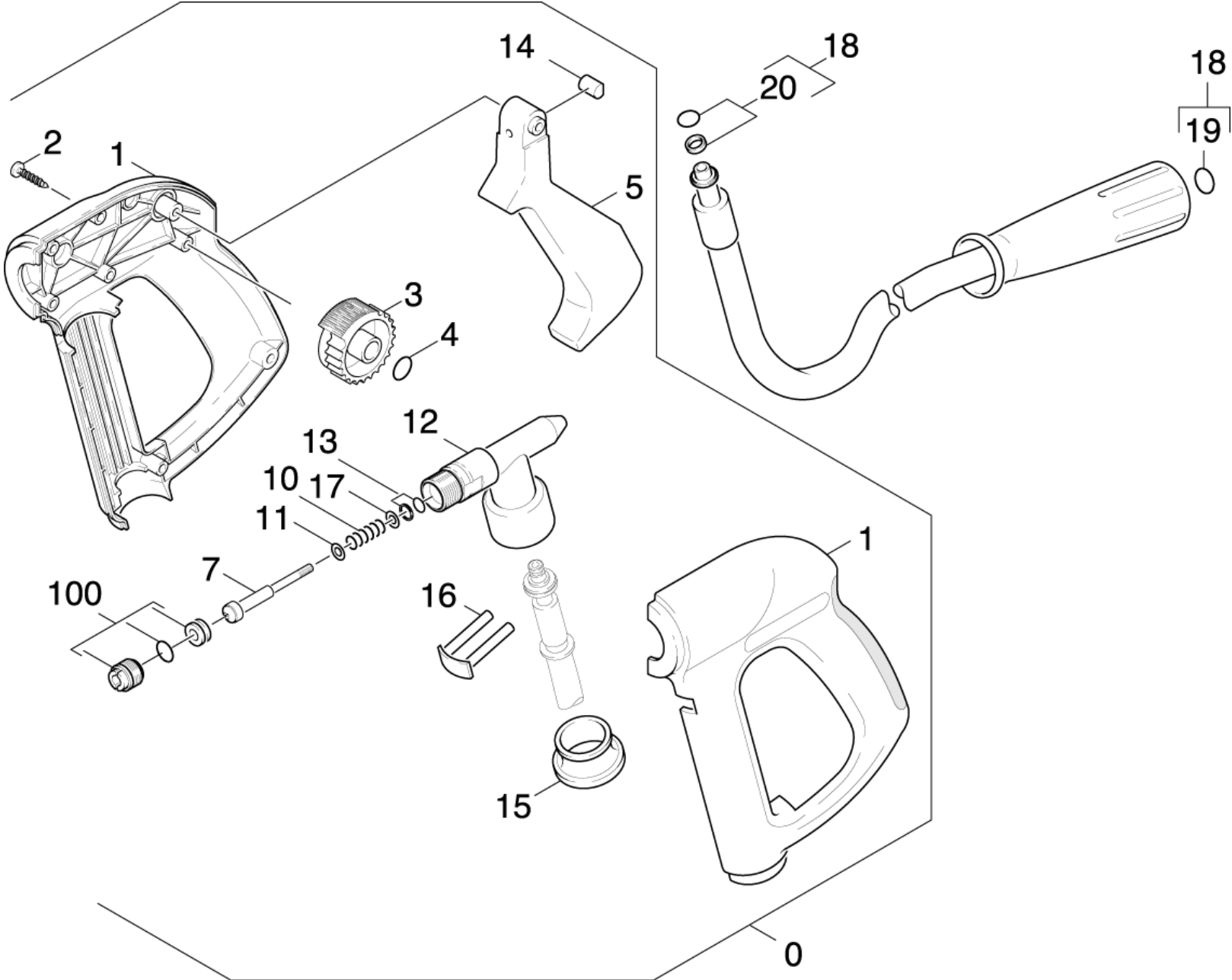
42 Hand trigger gun

POS	Article no.	Description	Quantity	Unit
7	5.322-083.0	Handhold few extended Low End	1.000	ST
3	5.322-082.0	Handhold few hand trigger gun Low End	1.000	ST
0	4.775-554.0	Hand trigger gun Low End Nippel 10	1.000	ST
9	4.037-013.0	Hook	1.000	ST
5	4.481-209.0	Lever complete	1.000	ST
14	6.389-853.0	MANGUEIRA DN6 25MPa 10m HD 655 / 790	1.000	ST
11	4.427-004.0	Manifold complete for replacement LowEnd	1.000	ST
8	5.032-801.0	Moulded part	1.000	ST
12	6.363-115.0	O-Ring seal complete 1ST.-R.	1.000	ST
10	6.368-012.0	Protecting cap 22X1,5	1.000	ST
6	7.303-129.0	Screw 4x16 -10.9-R2R (K-In6Rd)	6.000	ST
1	7.303-096.0	Screw 4x22 -ST-10.9-R2R (IN6RD)	7.000	ST
4	5.110-596.0	Sleeve	1.000	ST
2	5.481-331.0	Slider	1.000	ST
13	2.880-990.0	Spare part set O-Ring 5x -Kaercher	1.000	ST



5 Lever complete (4.481-209.0)

POS	Article no.	Description	Quantity	Unit
2	5.314-119.0	Pin	2.000	ST

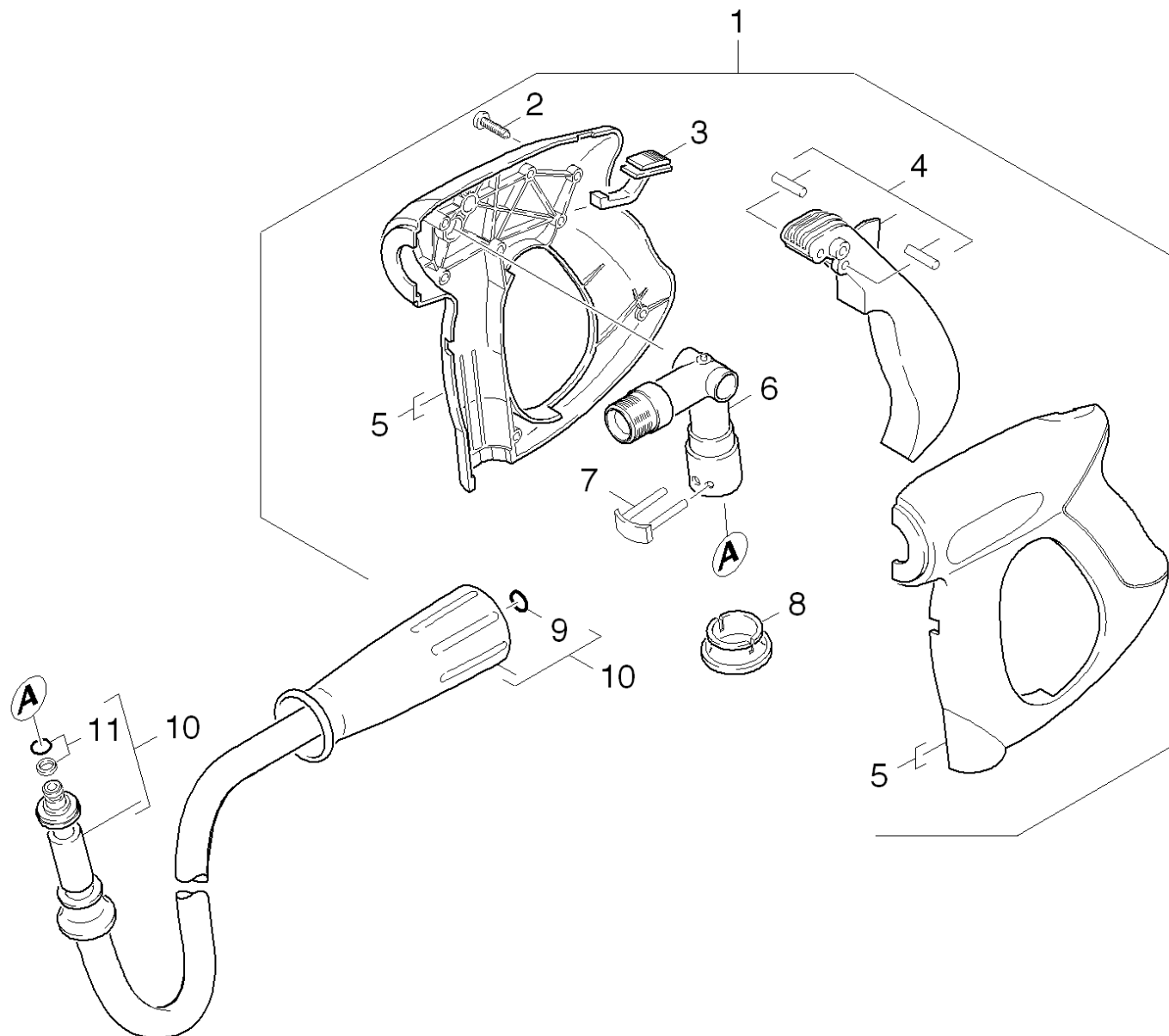


43 Hand trigger gun

POS	Article no.	Description	Quantity	Unit
14	5.316-400.0	Bolt	1.000	ST
1	5.321-494.0	Handhold few	1.000	ST
3	5.322-011.0	Hand wheel	1.000	ST
10	5.332-384.0	Helical spring	1.000	ST
16	4.037-013.0	Hook	1.000	ST
5	5.481-178.0	Lever	1.000	ST
18	6.389-853.0	MANGUEIRA DN6 25MPa 10m HD 655 / 790	1.000	ST
12	5.427-210.0	Manifold	1.000	ST
4	6.362-642.0	O-Ring d. 7,65x1,78 -NBR 80	1.000	ST
20	6.363-115.0	O-Ring seal complete 1ST.-R.	1.000	ST
13	6.362-992.0	O-Ring seal complete 2,6X1,9	1.000	ST
7	5.553-347.0	Piston	1.000	ST
2	7.303-096.0	Screw 4x22 -ST-10.9-R2R (IN6RD)	8.000	ST
15	5.110-596.0	Sleeve	1.000	ST
100	2.883-903.0	Spare part set	1.000	ST
19	2.880-990.0	Spare part set O-Ring 5x -Kaercher	1.000	ST
0	7.777-999.0	Stockpiling discontinued	1.000	ST
11	5.115-675.0	Washer	1.000	ST
17	5.115-661.0	Washer	1.000	ST

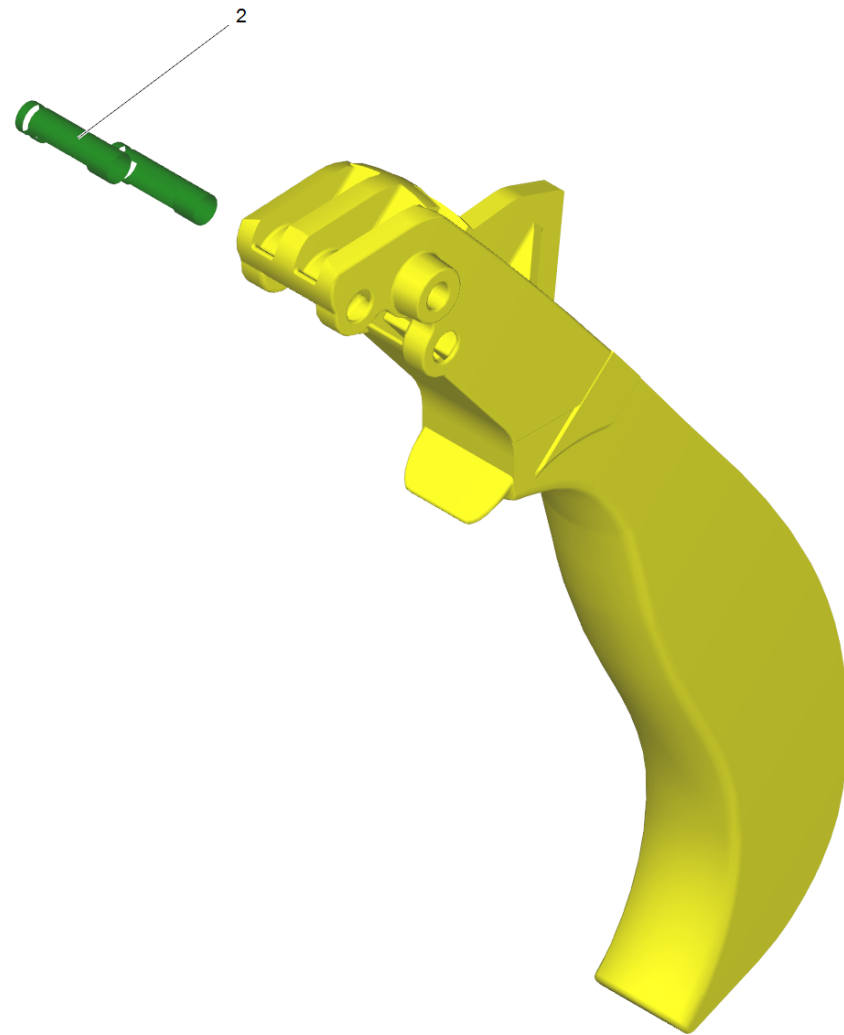
100 Spare part set (2.883-903.0)

POS	Article no.	Description	Quantity	Unit
40	6.590-004.0	Bag PE 80x100 mm	1.000	ST
10	5.404-068.0	Hollow screw	1.000	ST
30	6.362-642.0	O-Ring d. 7,65x1,78 -NBR 80	1.000	ST
20	5.581-211.0	Valve seat	1.000	ST



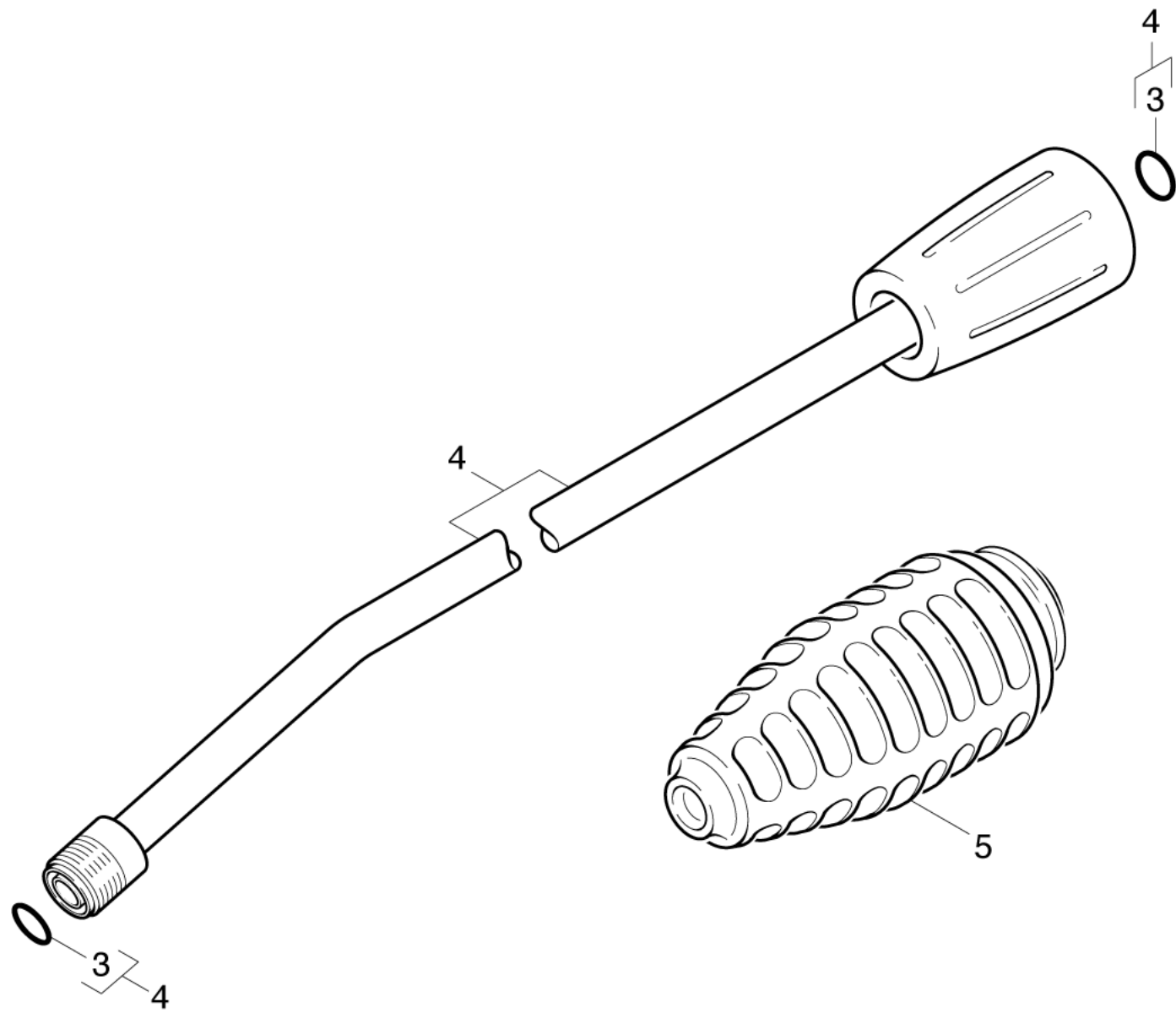
44 Hand trigger gun

POS	Article no.	Description	Quantity	Unit
5	5.321-669.3	Handhold few	1.000	ST
1	4.775-557.0	Hand trigger gun nipple 10 n.f.Ersatz	1.000	ST
7	4.037-013.0	Hook	1.000	ST
4	4.481-209.0	Lever complete	1.000	ST
10	6.389-853.0	MANGUEIRA DN6 25MPa 10m HD 655 / 790	1.000	ST
6	4.427-319.0	Manifold complete only for replacement	1.000	ST
11	4.363-691.0	O-Ring seal kpl. -nur fuer Ersatz-	1.000	ST
2	7.303-096.0	Screw 4x22 -ST-10.9-R2R (IN6RD)	7.000	ST
8	5.110-596.0	Sleeve	1.000	ST
3	5.481-331.0	Slider	1.000	ST
9	2.880-990.0	Spare part set O-Ring 5x -Kaercher	1.000	ST



4 Lever complete (4.481-209.0)

POS	Article no.	Description	Quantity	Unit
2	5.314-119.0	Pin	2.000	ST



45 Jet pipe

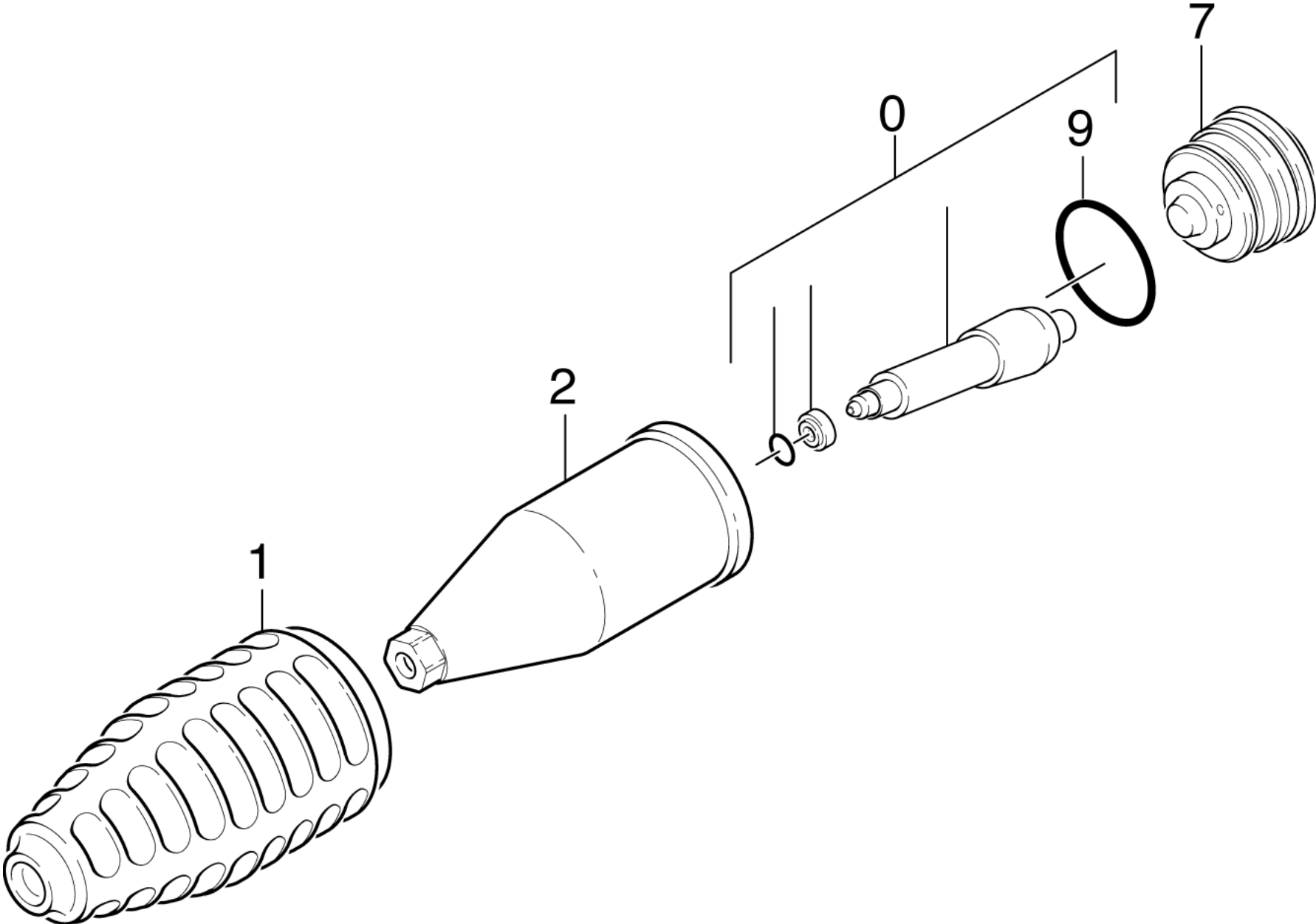
POS	Article no.	Description	Quantity	Unit
5	4.763-252.0	Dirt blaster 04	1.000	ST
	Item text1: / 1.151-301.0 / -311.0			
4	4.760-665.0	Jet pipe packaged only for replacement	1.000	ST

5 Dirt blaster 04 (4.763-252.0)

POS	Article no.	Description	Quantity	Unit
11	5.955-641.0	Spare parts list dirt blaster	1.000	ST

11 Spare parts list dirt blaster (5.955-641.0)

POS	Description	Quantity	Unit
10	Dirt blaster	1.000	ST



10 Dirt blaster

POS	Article no.	Description	Quantity	Unit	Remark
7	5.063-708.0	Cover	1.000	ST	
	Item text1: / 4.763-930.0				
7	5.063-709.0	Cover	1.000	ST	
	Item text1: / 4.763-931.0				
7	5.063-626.0	Cover DGR F 04	1.000	ST	4.763-252/936
	Item text1: / 4.763-252.0				
7	5.063-647.0	Cover DGR F 05	1.000	ST	
	Item text1: / 4.763-253.0				
7	5.063-618.0	Cover DGR F 055/F 06	1.000	ST	4.763-250/938
	Item text1: / 4.763-250.0				
7	5.063-648.0	Cover DGR F 70/F 08	1.000	ST	
	Item text1: / 4.763-254.0 / 4.767-076.0				
7		Cover high-pressure 20/15	1.000	ST	4.764-204.0
7	5.064-357.0	Cover high-pressure 25/15-4	1.000	ST	4.764-201.0 / 4.764-208.0
2	5.060-500.3	Housing	1.000	ST	
9	6.362-463.0	O-Ring seal 28,0 X 2,0-NBR 78	1.000	ST	
1	5.394-375.0	Protection part	1.000	ST	
0	2.884-052.0	Spare part set dirt blaster 035	1.000	ST	4.763-931.0
	Item text1: / 4.763-931.0				
0	2.883-471.0	Spare part set dirt blaster 04-HD 1050	1.000	ST	4.763-252.0
	Item text1: / 4.763-252.0				
0	2.884-113.0	Spare part set dirt blaster 045	1.000	ST	4.763-988.0
	Item text1: / 4.763-988.0				
0	2.883-472.0	Spare part set dirt blaster 05	1.000	ST	4.763-253.0
	Item text1: / 4.763-253.0				
0	2.883-473.0	Spare part set dirt blaster 055/06	1.000	ST	4.763-250.0
	Item text1: / 4.763-250.0				
0	2.884-114.0	Spare part set dirt blaster 065	1.000	ST	4.763-989.0
	Item text1: / 4.763-989.0				
0	2.883-474.0	Spare part set dirt blaster 07/08-HDS 8	1.000	ST	4.763-254.0
	Item text1: / 4.763-254.0				
0	2.884-316.0	Spare part set dirt blaster 09	1.000	ST	
	Item text1: / 4.767-076.0				

10 Dirt blaster

POS	Article no.	Description	Quantity	Unit	Remark
0	2.884-051.0	Spare part set dirt blaster 100/120	1.000	ST	4.763-930.0
	Item text1: / 4.763-930.0				
0		Spare part set rotor 125	1.000	ST	4.764-204.0
0	2.881-025.0	Spare part set rotor 170	1.000	ST	4.764-201.0
0	2.885-196.0	Spare parts set rotor 100	1.000	ST	4.764-208.0

Spare part set rotor 170 (2.881-025.0)

POS	Article no.	Description	Quantity	Unit
2	6.362-658.0	O-Ring seal 7 X 1,5-NBR 90	1.000	ST
4	6.362-463.0	O-Ring seal 28,0 X 2,0-NBR 78	1.000	ST
1		Rotor complete 165	1.000	ST
5	6.288-072.0	Silicon grease	1.000	ST
3		Tool complete	1.000	ST

Spare part set dirt blaster 05 (2.883-472.0)

POS	Article no.	Description	Quantity	Unit
2	5.250-074.0	Bearing ring	1.000	ST
3		Bearing ring small	1.000	ST
4	6.362-498.0	O-Ring seal 6,75x1,78 NBR 70	1.000	ST
6	6.362-463.0	O-Ring seal 28,0 X 2,0-NBR 78	1.000	ST
1	4.762-123.0	Rotor complete 05	1.000	ST
7	6.288-072.0	Silicon grease	1.000	ST
5		Tool complete	1.000	ST

Spare part set dirt blaster 055/06 (2.883-473.0)

POS	Article no.	Description	Quantity	Unit
2	5.250-074.0	Bearing ring	1.000	ST
3		Bearing ring small	1.000	ST
4	6.362-498.0	O-Ring seal 6,75x1,78 NBR 70	1.000	ST
7	6.362-463.0	O-Ring seal 28,0 X 2,0-NBR 78	1.000	ST
1	4.762-124.0	Rotor complete 055/06	1.000	ST
8	6.288-072.0	Silicon grease	1.000	ST
6		Tool	1.000	ST
5		Tool bearing ring	1.000	ST

Spare part set dirt blaster 07/08-HDS 8 (2.883-474.0)

POS	Article no.	Description	Quantity	Unit
2	5.250-074.0	Bearing ring	1.000	ST
3		Bearing ring small	1.000	ST
4	6.362-498.0	O-Ring seal 6,75x1,78 NBR 70	1.000	ST
6	6.362-463.0	O-Ring seal 28,0 X 2,0-NBR 78	1.000	ST
1	4.762-125.0	Rotor complete 07/08	1.000	ST
7	6.288-072.0	Silicon grease	1.000	ST
5		Tool complete	1.000	ST

Spare part set dirt blaster 045 (2.884-113.0)

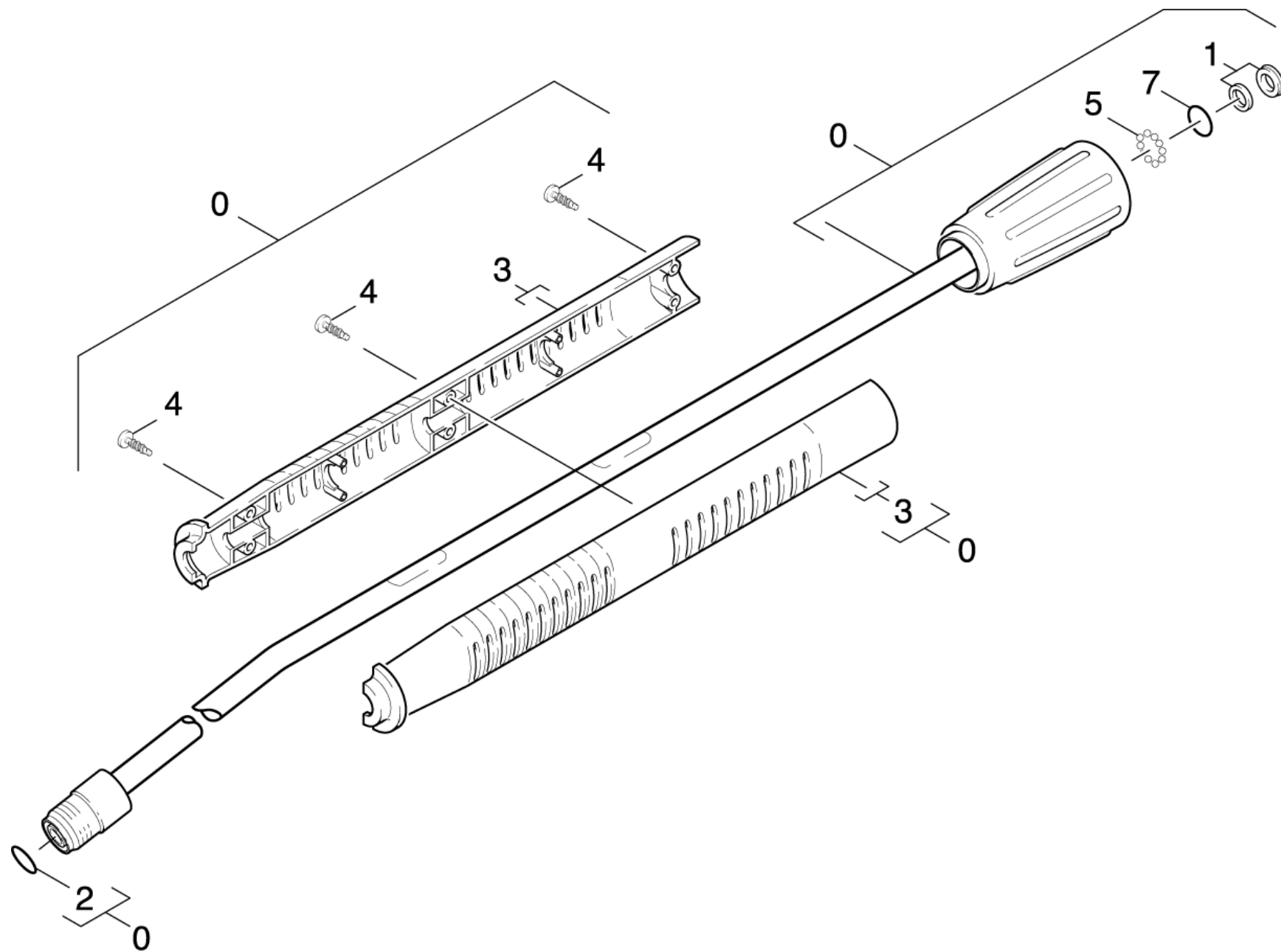
POS	Article no.	Description	Quantity	Unit
8	6.590-355.0	Bag PE 130x140 mm neutral	1.000	ST
8	6.590-355.0	Bag PE 130x140 mm neutral	1.000	ST
2	5.250-074.0	Bearing ring	1.000	ST
2	5.250-074.0	Bearing ring	1.000	ST
9	6.376-036.0	Label spare parts neutrally 65x55 MM	1.000	ZST
9	6.376-036.0	Label spare parts neutrally 65x55 MM	1.000	ZST
3	6.362-498.0	O-Ring seal 6,75x1,78 NBR 70	1.000	ST
3	6.362-498.0	O-Ring seal 6,75x1,78 NBR 70	1.000	ST
5	6.362-463.0	O-Ring seal 28,0 X 2,0-NBR 78	1.000	ST
5	6.362-463.0	O-Ring seal 28,0 X 2,0-NBR 78	1.000	ST
6	6.288-072.0	Silicon grease	1.000	ST
6	6.288-072.0	Silicon grease	1.000	ST

Spare part set dirt blaster 09 (2.884-316.0)

POS	Article no.	Description	Quantity	Unit
2	5.250-074.0	Bearing ring	1.000	ST
3		Bearing ring small	1.000	ST
4	6.362-498.0	O-Ring seal 6,75x1,78 NBR 70	1.000	ST
6	6.362-463.0	O-Ring seal 28,0 X 2,0-NBR 78	1.000	ST
1		Rotor complete 09	1.000	ST
7	6.288-072.0	Silicon grease	1.000	ST
5		Tool complete	1.000	ST

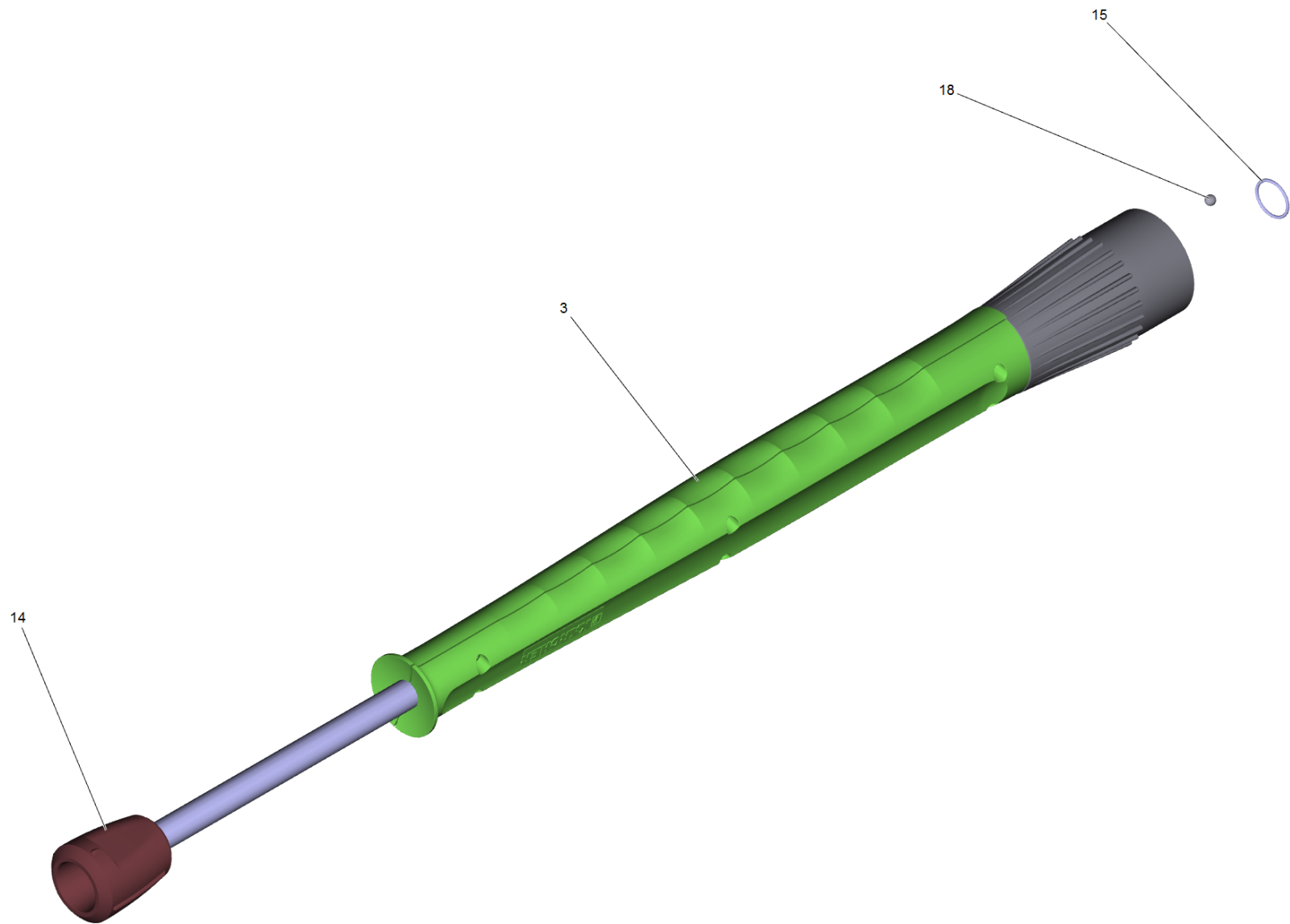
Spare parts set rotor 100 (2.885-196.0)

POS	Article no.	Description	Quantity	Unit
2	5.250-074.0	Bearing ring	1.000	ST
3		Bearing ring small	1.000	ST
4	6.362-498.0	O-Ring seal 6,75x1,78 NBR 70	1.000	ST
6	6.362-463.0	O-Ring seal 28,0 X 2,0-NBR 78	1.000	ST
1		Rotor complete 100	1.000	ST
7	6.288-072.0	Silicon grease	1.000	ST
5		Tool complete	1.000	ST



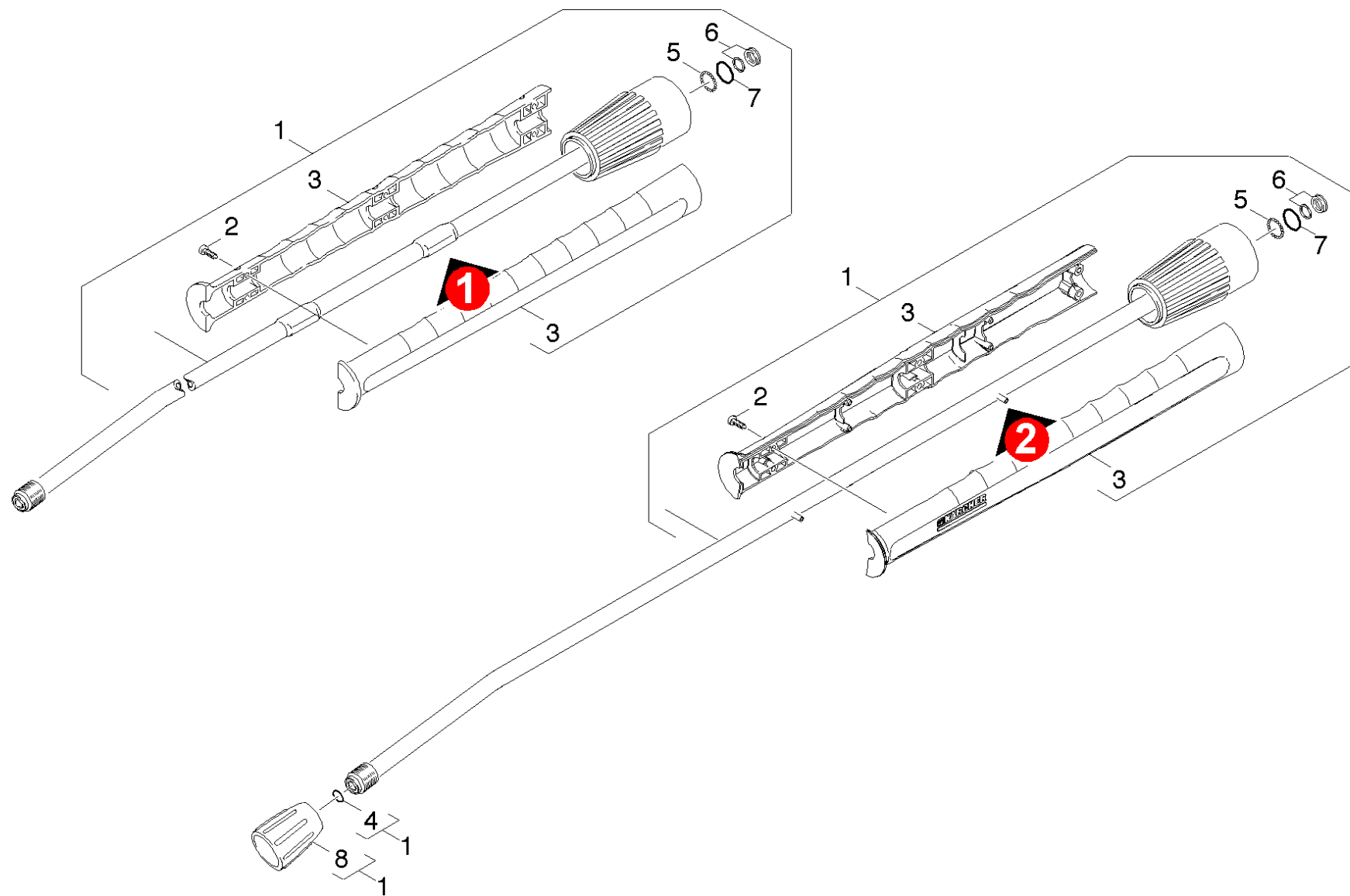
46 Jet pipe

POS	Article no.	Description	Quantity	Unit
1	4.363-692.0	Grooved ring kpl. -nur fuer Ersatz-	1.000	ST
3	5.321-691.0	Handhold few jet pipe	1.000	ST
0	4.760-660.0	Jet pipe packaged only for replacement	1.000	ST
2	2.880-154.0	O-Ring kit	1.000	ST
7	6.362-524.0	O-Ring seal 17,0 X 1,5	1.000	ST
4	6.303-025.0	Oval head screw 4,2x16-St-vz	6.000	ST
5	7.401-915.0	Sphere 2,5 G20 -1.4034 DIN 5401	1.000	ST



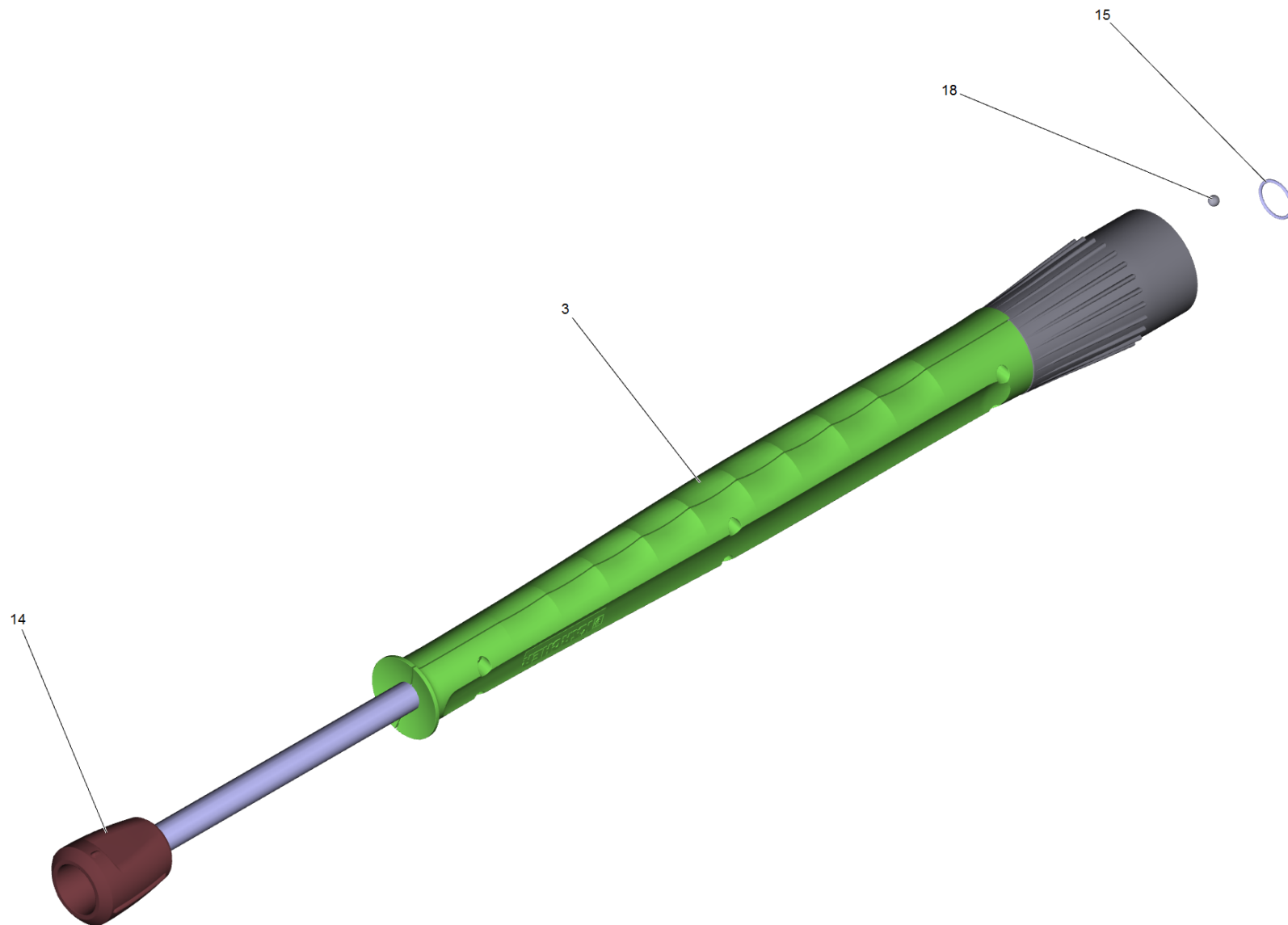
Jet pipe packaged only for replacement (4.760-660.0)

POS	Article no.	Description	Quantity	Unit
3	5.321-855.0	Handhold few jet pipe with welding bolt	1.000	ST
15	7.362-501.0	O-Ring seal 10x2 EPDM 70 DIN 3770	1.000	ST
14	5.401-210.0	Screw connector part	1.000	ST
18	7.401-915.0	Sphere 2,5 G20 -1.4034 DIN 5401	1.000	ST



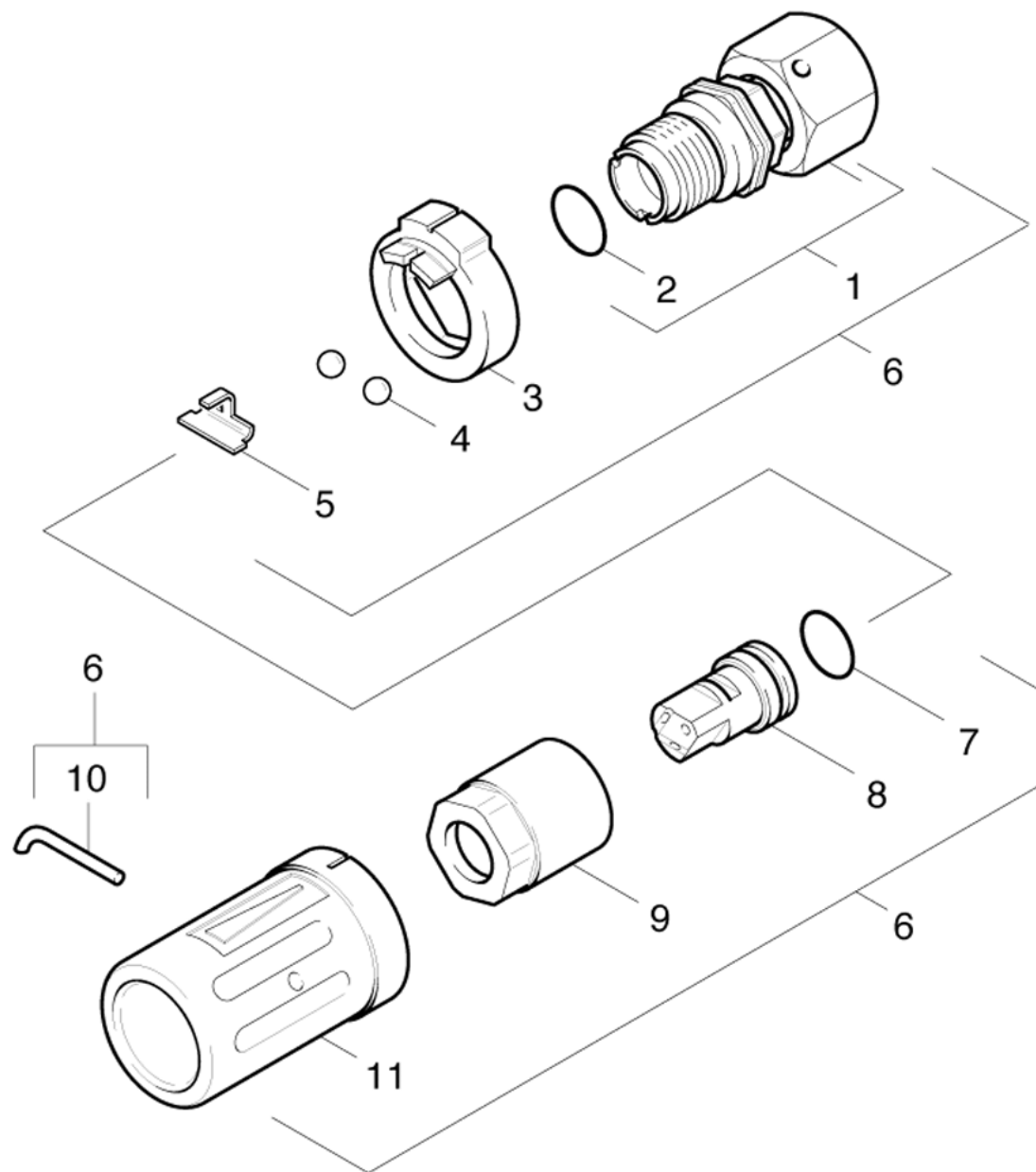
47 Jet pipe

POS	Article no.	Description	Quantity	Unit	Remark
6	4.363-692.0	Grooved ring kpl. -nur fuer Ersatz-	1.000	ST	
3	5.321-691.0	Handhold few jet pipe	1.000	ST	VERSION 1
3	5.321-855.0	Handhold few jet pipe with welding bolt	1.000	ST	VERSION 2
1	4.760-660.0	Jet pipe packaged only for replacement	1.000	ST	
7	6.362-524.0	O-Ring seal 17,0 X 1,5	1.000	ST	
2	7.303-129.0	Screw 4x16 -10.9-R2R (K-In6Rd)	6.000	ST	
8	5.401-129.0	Screw connector part	1.000	ST	
4	2.880-990.0	Spare part set O-Ring 5x -Kaercher	1.000	ST	
5	7.401-915.0	Sphere 2,5 G20 -1.4034 DIN 5401	20.000	ST	



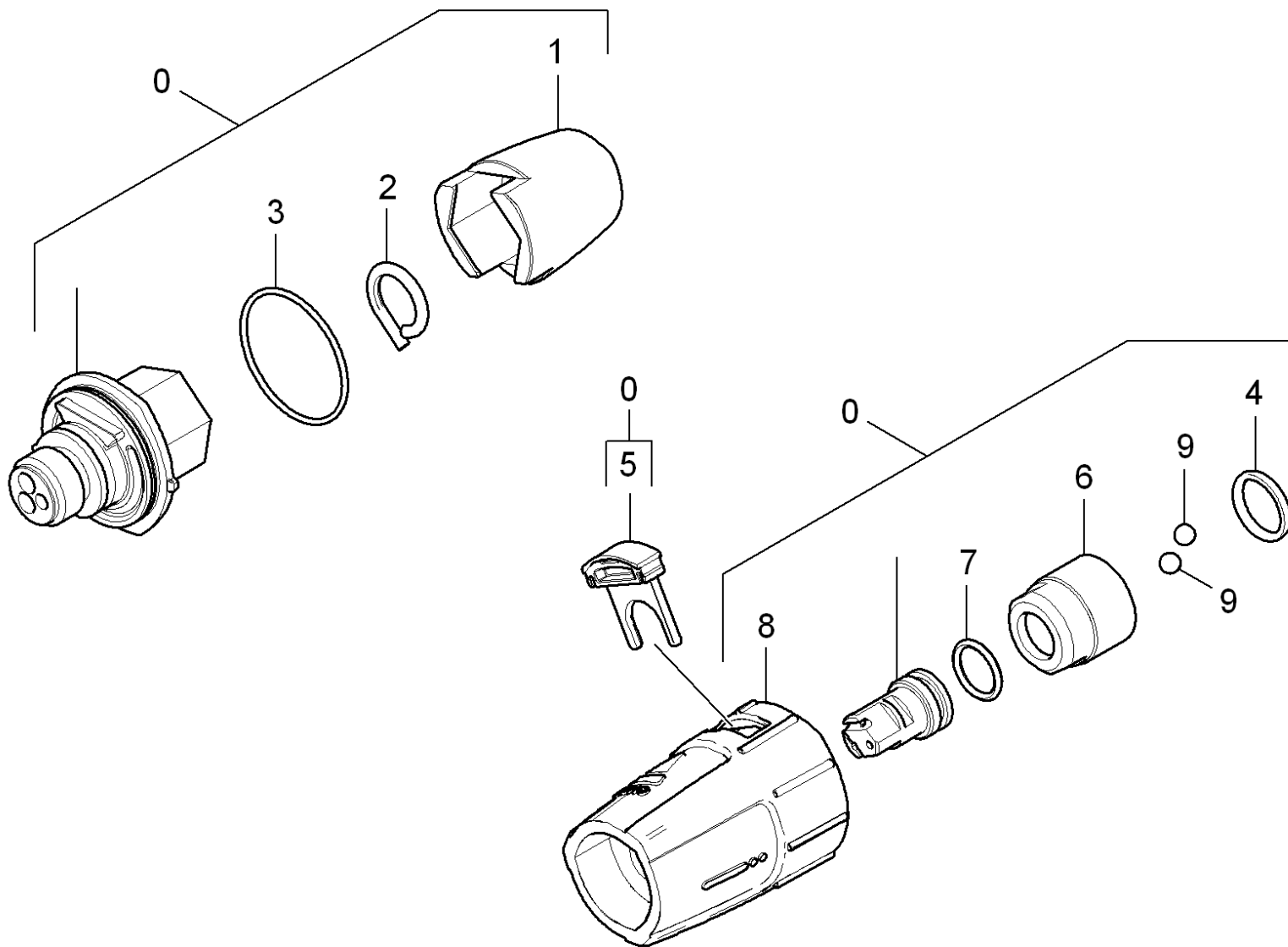
1 Jet pipe packaged only for replacement (4.760-660.0)

POS	Article no.	Description	Quantity	Unit
3	5.321-855.0	Handhold few jet pipe with welding bolt	1.000	ST
15	7.362-501.0	O-Ring seal 10x2 EPDM 70 DIN 3770	1.000	ST
14	5.401-210.0	Screw connector part	1.000	ST
18	7.401-915.0	Sphere 2,5 G20 -1.4034 DIN 5401	1.000	ST



48 Nozzle

POS	Article no.	Description	Quantity	Unit
9	5.311-117.0	Hexagon nut	1.000	ST
5	5.042-405.0	Holder	1.000	ST
10	5.037-059.0	Hook	1.000	ST
3	5.030-528.0	Moulded part	1.000	ST
7	6.362-480.0	O-Ring seal 12,42x 1,78	1.000	ST
2	6.362-460.0	O-Ring seal 14,0 X 2,5-NBR 70	1.000	ST
11	5.394-269.0	Protection part	1.000	ST
1	4.402-042.0	Screw union	1.000	ST
4	7.401-902.0	Sphere 5 G20 -1.4034 DIN 5401	2.000	ST
6	7.777-999.0	Stockpiling discontinued	1.000	ST
6	7.777-999.0	Stockpiling discontinued	1.000	ST
8	5.415-603.0	Triple jet nozzle 040	1.000	ST
	Item text1: / 1.151-101.0 / -102.0 / -112.0			
	Item text2: / -301.0 / -311.0			
8	5.415-604.0	Triple jet nozzle 042	1.000	ST
	Item text1: / 1.151-103.0			

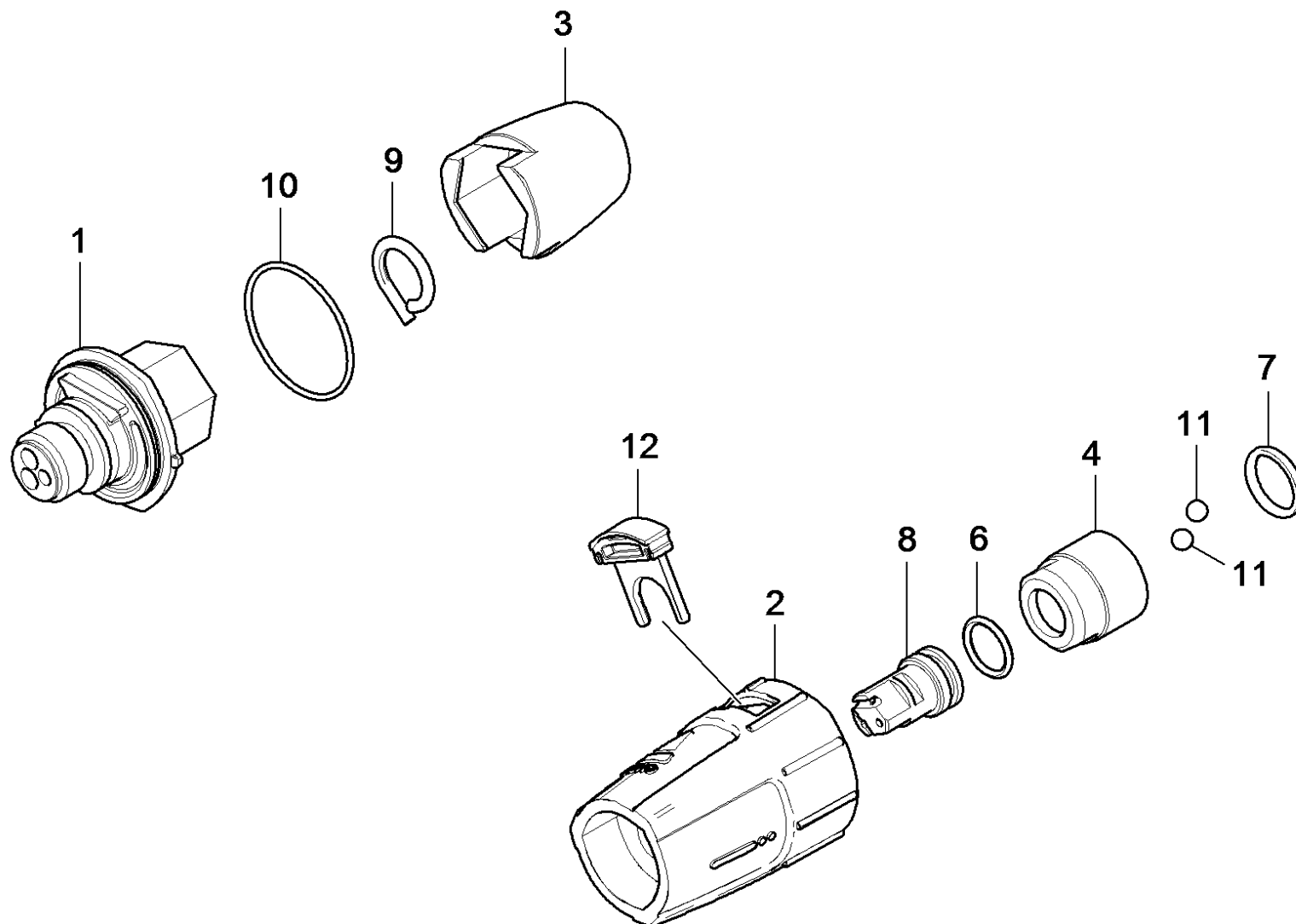


49 Nozzle

POS	Article no.	Description	Quantity	Unit
5	5.321-884.0	Clamp	1.000	ST
6	5.311-225.0	Nut	1.000	ST
7	6.362-480.0	O-Ring seal 12,42x 1,78	1.000	ST
4	6.362-460.0	O-Ring seal 14,0 X 2,5-NBR 70	1.000	ST
3	6.362-409.0	O-Ring seal 32,0 X 1,5	1.000	ST
2	6.343-150.0	Pin 03	1.000	ST
8	5.394-859.0	Protection part	1.000	ST
1	5.394-530.0	Protection part complete	1.000	ST
9	7.401-902.0	Sphere 5 G20 -1.4034 DIN 5401	2.000	ST
0	4.767-150.0	Triple jet nozzle only for replacement 0	1.000	ST
	Item text1: 1.151-101.0 /-102.0 /-112.0 /-301.0 /			
	Item text2: -311.0 /			
0	4.767-151.0	Triple jet nozzle only for replacement 0	1.000	ST
	Item text1: 1.151-103.0 /			

Triple jet nozzle only for replacement 0 (4.767-150.0)

POS	Description	Quantity	Unit
1	Triple jet nozzle 040	1.000	ST



1 Triple jet nozzle 040

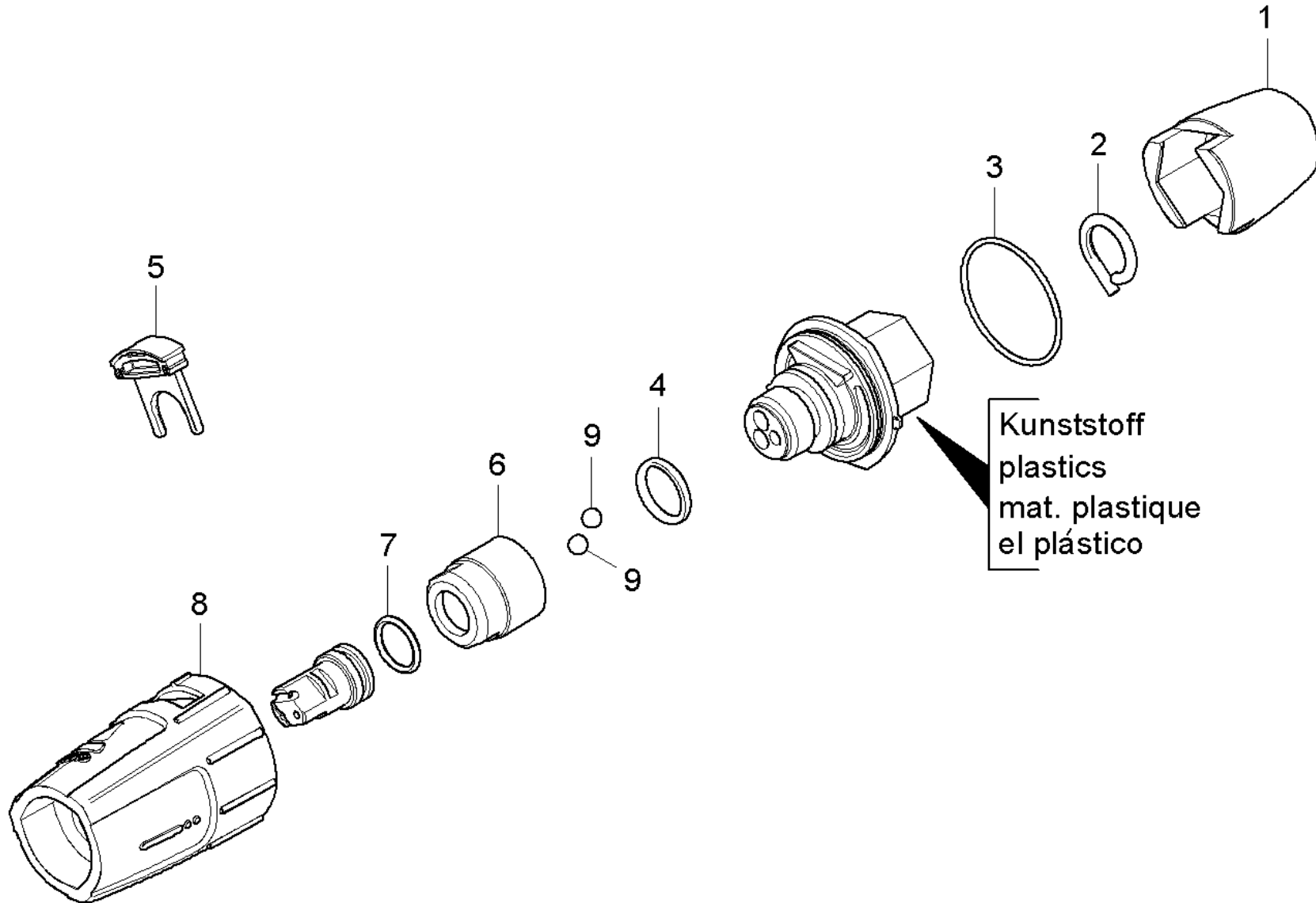
POS	Article no.	Description	Quantity	Unit
12	5.321-884.0	Clamp	1.000	ST
4	5.311-225.0	Nut	1.000	ST
6	6.362-480.0	O-Ring seal 12,42x 1,78	1.000	ST
7	6.362-460.0	O-Ring seal 14,0 X 2,5-NBR 70	1.000	ST
10	6.362-409.0	O-Ring seal 32,0 X 1,5	1.000	ST
9	6.343-150.0	Pin 03	1.000	ST
2	5.394-859.0	Protection part	1.000	ST
3	5.394-530.0	Protection part complete	1.000	ST
11	7.401-902.0	Sphere 5 G20 -1.4034 DIN 5401	2.000	ST
8	5.415-603.0	Triple jet nozzle 040	1.000	ST

Triple jet nozzle only for replacement 0 (4.767-151.0)

POS	Article no.	Description	Quantity	Unit
2	5.970-837.0	Spare parts list triple jet nozzle	1.000	ST

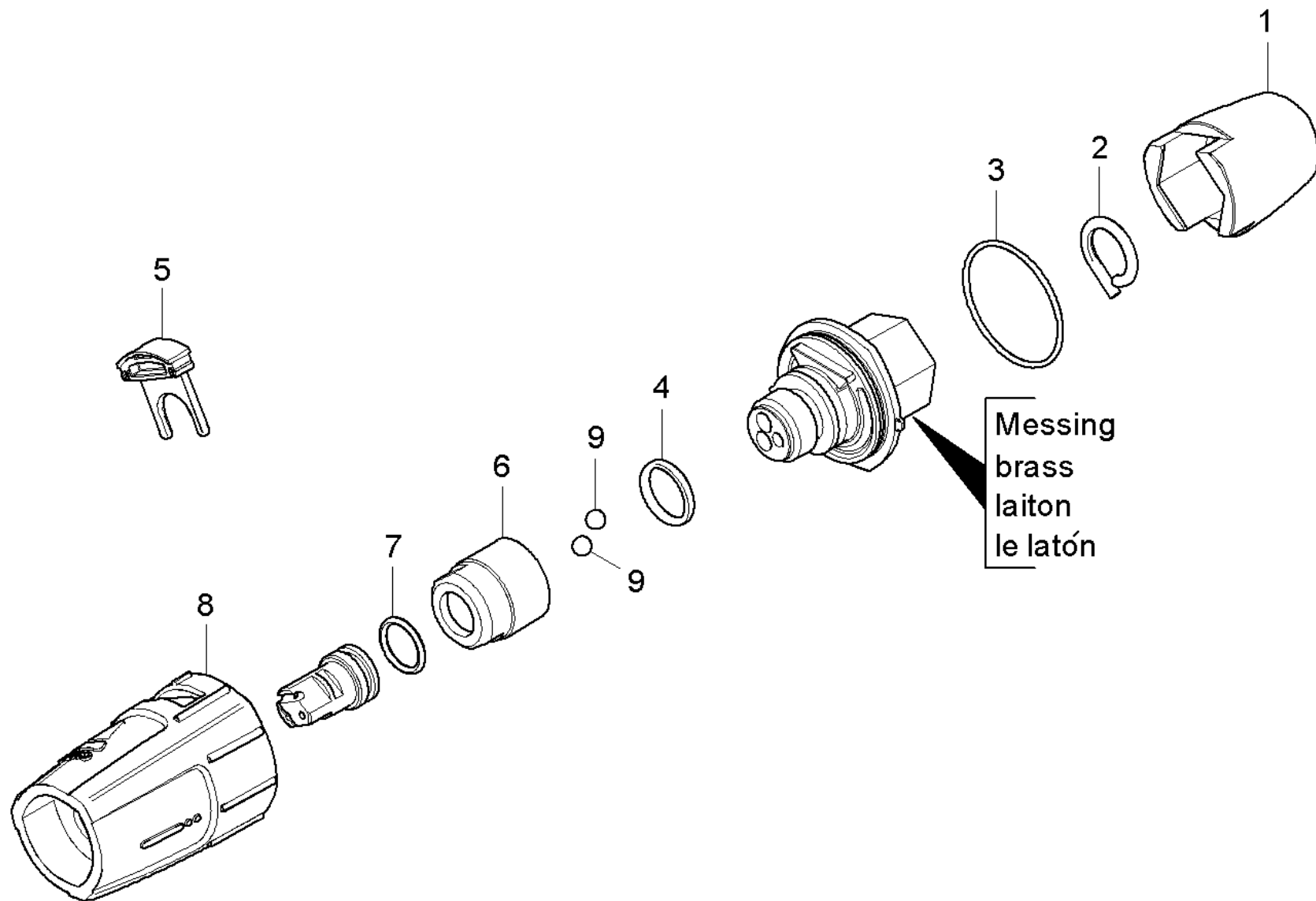
2 Spare parts list triple jet nozzle (5.970-837.0)

POS	Description	Quantity	Unit
20	Triple jet nozzle brass	1.000	ST
10	Triple jet nozzle plastics	1.000	ST



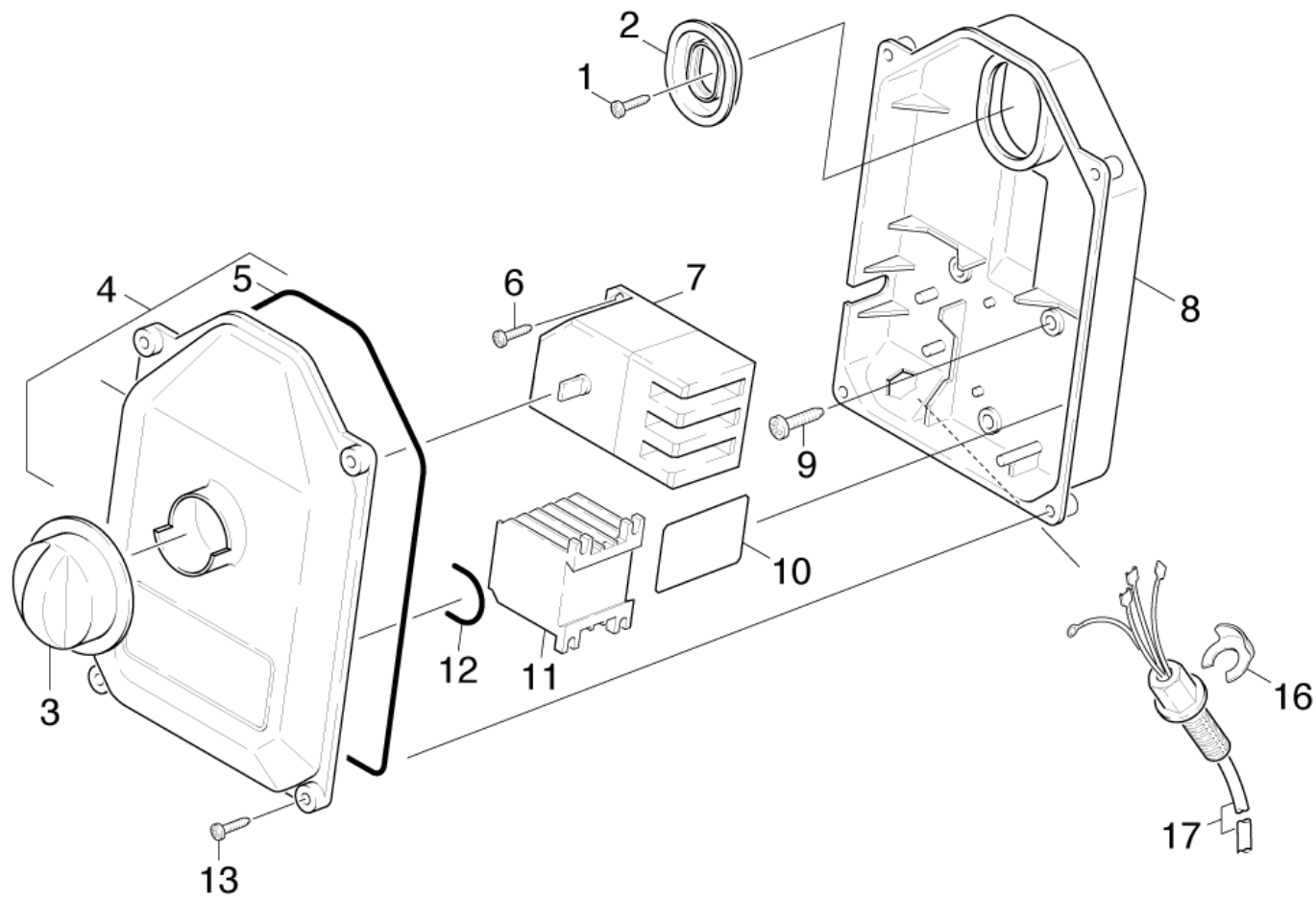
10 Triple jet nozzle plastics

POS	Article no.	Description	Quantity	Unit
5	5.321-884.0	Clamp	1.000	ST
6	5.311-236.0	Nut	1.000	ST
7	6.362-480.0	O-Ring seal 12,42x 1,78	1.000	ST
4	7.362-039.0	O-Ring seal 15,5x1,5 -NBR70 DIN 3771	1.000	ST
3	6.362-409.0	O-Ring seal 32,0 X 1,5	1.000	ST
2	6.343-150.0	Pin 03	1.000	ST
8	5.394-874.0	Protection part	1.000	ST
1	5.394-530.0	Protection part complete	1.000	ST
9	7.401-902.0	Sphere 5 G20 -1.4034 DIN 5401	2.000	ST



20 Triple jet nozzle brass

POS	Article no.	Description	Quantity	Unit
5	5.321-884.0	Clamp	1.000	ST
6	5.311-225.0	Nut	1.000	ST
7	6.362-480.0	O-Ring seal 12,42x 1,78	1.000	ST
4	6.362-460.0	O-Ring seal 14,0 X 2,5-NBR 70	1.000	ST
3	6.362-409.0	O-Ring seal 32,0 X 1,5	1.000	ST
2	6.343-150.0	Pin 03	1.000	ST
8	5.394-859.0	Protection part	1.000	ST
1	5.394-530.0	Protection part complete	1.000	ST
9	7.401-902.0	Sphere 5 G20 -1.4034 DIN 5401	2.000	ST



50 Electric control box

POS	Article no.	Description	Quantity	Unit	Foot note text
17	6.647-979.0	Cable with rubber bushing	1.000	ST	
		Item text1: / 1.151-101.0 / -110.0 / -112.0			
		Item text2: / -301.0 / -311.0			
17	6.648-038.0	Cable with rubber bushing	1.000	ST	
		Item text1: / 1.151-102.0 / -103.0 / -110.0			
11	6.632-176.0	Contactor 4,0KW	1.000	ST	
		Item text1: / 1.151-103.0			
11	6.632-173.0	Contactor 4,0KW/400V	1.000	ST	
		Item text1: / 1.151-101.0 / -110.0 / -112.0			
		Item text2: / -301.0 / -311.0			
11	6.632-281.0	Contactor 230 V	1.000	ST	
		Item text1: / 1.151-102.0			
4	4.063-709.0	Cover complete electric control box	1.000	ST	
3	5.321-594.0	Handle	1.000	ST	
8	5.060-941.0	Housing	1.000	ST	
7	6.631-190.0	Motor protecting switch	1.000	ST	
10	5.048-251.0	Plate	1.000	ST	
2	5.365-181.0	Profile gasket	1.000	ST	
16	6.343-170.0	Retaining clip	1.000	ST	
6	6.303-318.0	Screw 3,5x12-10.9-R2R (IN6RD)	1.000	ST	
13	7.303-108.0	Screw 5x20 -10.9-R2R (In6Rd)	4.000	ST	
1	7.303-031.0	Screw M4x10 -St-P2R (In6Rd)	1.000	ST	
9	6.303-153.0	Screw M5x15-ST-R2R (IN6RD)	1.000	ST	
12	6.273-104.0	Seal cellular rubber /sealing soft tube	1.000	M	
5	6.273-070.0	Seal string cellular rubber 4	1.000	M	TO ORDER AS CUT GOODS