

## **Spare parts list** (2.111-010.0) FRV TR 30

## Table of contents

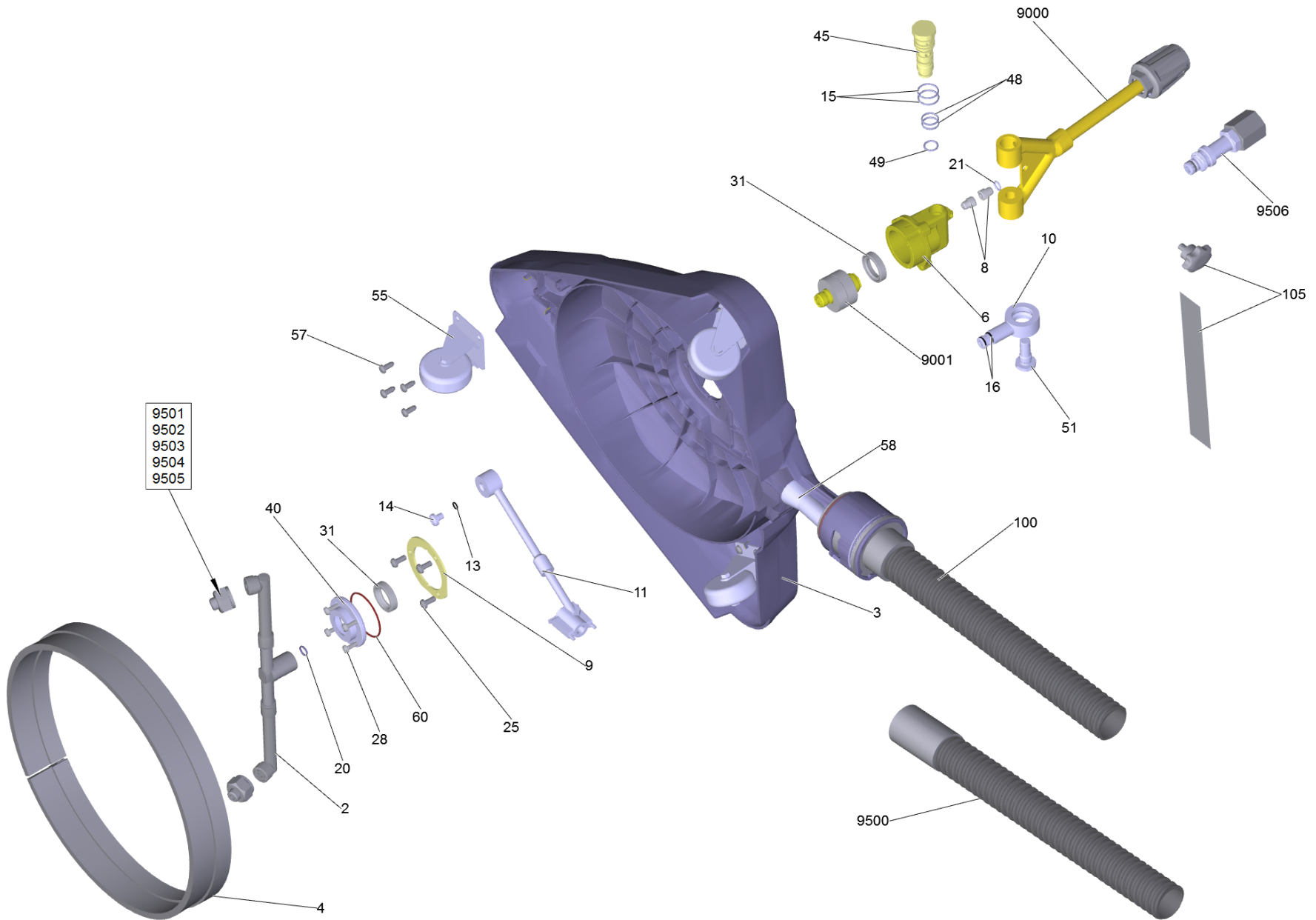
---

FRV TR 30 (2.111-010.0)	3
35 Spare parts list FRV TR 30 (5.973-835.0)	4
100 FRV 30 suction hose DN 32 (4.440-938.0)	7
105 Accessories	9
9001 Bearing complete (4.250-078.0)	10
9506 Screw union TR FR TR22-TR20 (4.111-022.0)	12

FRV TR 30 (2.111-010.0)

---

<b>POS</b>	<b>Article no.</b>	<b>Description</b>	<b>Quantity</b>	<b>Unit</b>
35	5.973-835.0	Spare parts list FRV TR 30	1.000	ST



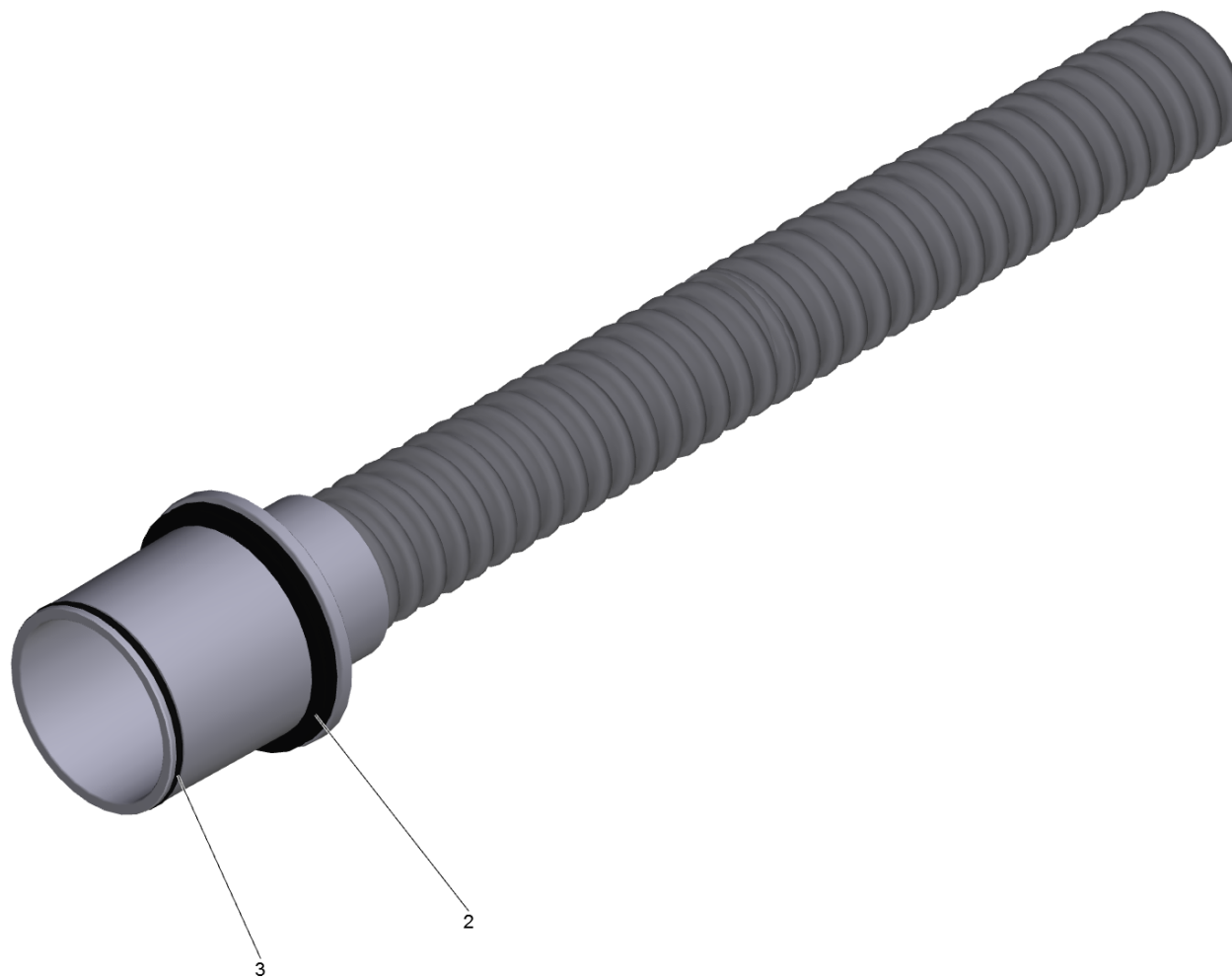
## 35 Spare parts list FRV TR 30 (5.973-835.0)

POS	Article no.	Description	Quantity	Unit
105		Accessories	1.000	ST
9000	4.802-013.0	Angle joint TR	1.000	ST
6	5.481-405.0	Base body FR 30	1.000	ST
9001	4.250-078.0	Bearing complete	1.000	ST
4	6.371-203.0	Brush-corona FRV 30	1.000	ST
55	6.435-842.0	Castor	3.000	ST
3	5.062-448.0	Cover FRV 30	1.000	ST
9	5.122-003.0	Flange	1.000	ST
40	5.122-443.0	Flange	1.000	ST
9500	4.440-939.0	FR extension hose DN 32	1.000	ST
100	4.440-938.0	FRV 30 suction hose DN 32	1.000	ST
10	5.427-444.0	Manifold	1.000	ST
11	4.427-364.0	Manifold complete	1.000	ST
2	4.764-205.0	Nozzle holder	1.000	ST
9501	2.642-430.0	Nozzle pack 035	1.000	ST
9502	2.642-431.0	Nozzle pack 040	1.000	ST
9503	2.642-432.0	Nozzle pack 045	1.000	ST
9504	2.642-433.0	Nozzle pack 050	1.000	ST
9505	2.642-982.0	Nozzle pack 080	1.000	ST
49	6.363-142.0	O-Ring 10x1.5N BR 90	1.000	ST
13	6.362-703.0	O-Ring seal 6,0x1,5-NBR 70	1.000	ST
21	6.362-658.0	O-Ring seal 7 X 1,5-NBR 90	1.000	ST
20	6.362-388.0	O-Ring seal 8,0x1,5 -EPDM 70	1.000	ST
16	6.363-331.0	O-Ring seal 9,0 x 1,5	2.000	ST
48	6.363-280.0	O-Ring seal 12,0 x 2,0-NBR 90	2.000	ST
15	6.362-524.0	O-Ring seal 17,0 X 1,5	2.000	ST
60	6.362-475.0	O-Ring seal 44,17X 1,78-NBR 70	1.000	ST
31	7.367-000.0	Radial shaft seal ring A20x30x7-NBR DIN	2.000	ST
57	7.303-274.0	Screw 5x12 -A2-70 (In6Rd)	12.000	ST
28	7.306-204.0	Screw M 3X 10-A2-70 (IN6RD)	4.000	ST
25	7.306-181.0	Screw M 5x 12-A2-70 (In6Rd)	3.000	ST
14	7.306-190.0	Screw M6x8 -A2-70 (In6Rd)	1.000	ST
9506	4.111-022.0	Screw union TR FR TR22-TR20	1.000	ST

35 Spare parts list FRV TR 30 (5.973-835.0)

---

<b>POS</b>	<b>Article no.</b>	<b>Description</b>	<b>Quantity</b>	<b>Unit</b>
45	5.100-624.0	Shaft	1.000	ST
51	5.100-501.0	Shaft	1.000	ST
8	5.111-322.0	Sleeve	2.000	ST
58	5.111-376.0	Sleeve FRV	1.000	ST



100 FRV 30 suction hose DN 32 (4.440-938.0)

---

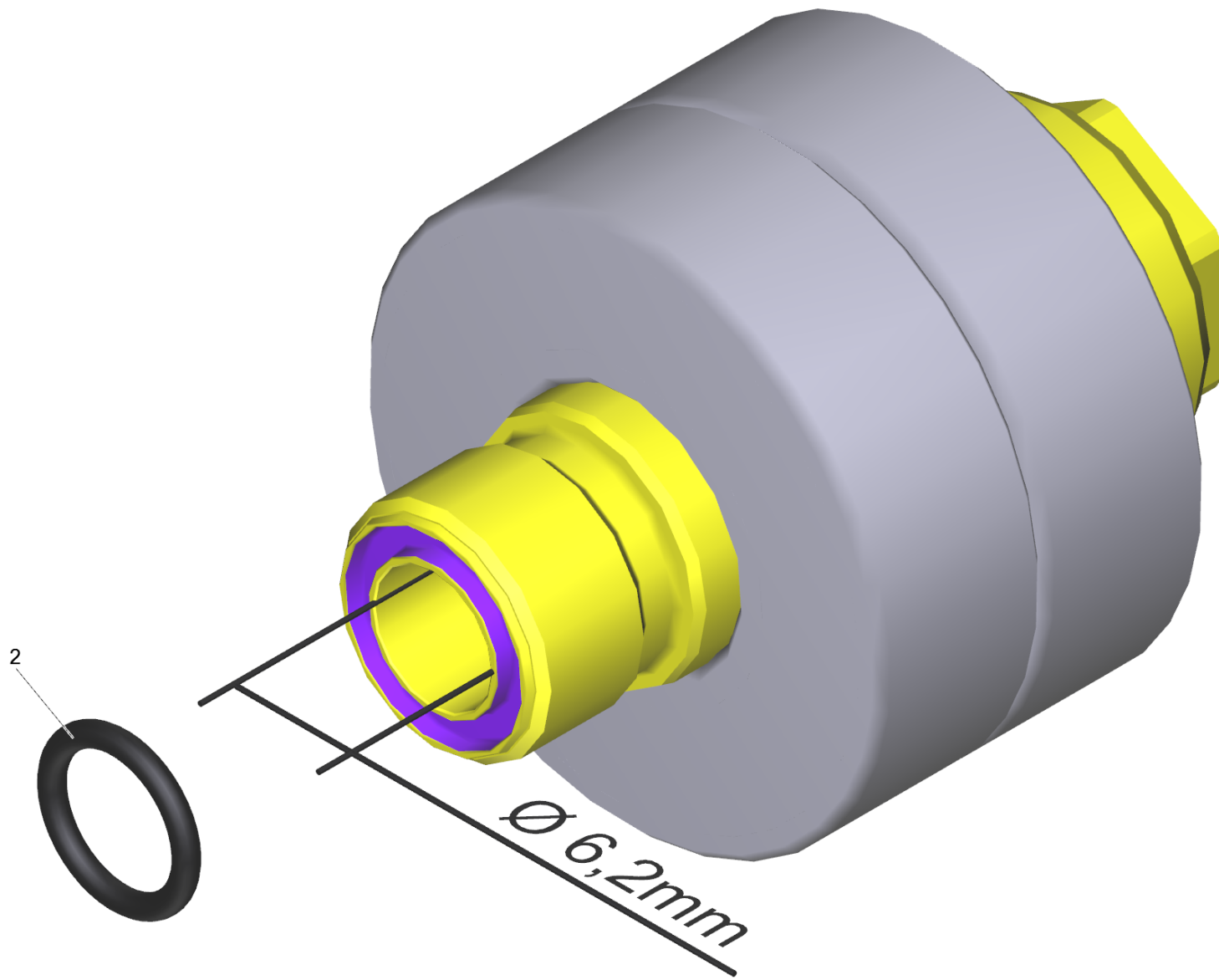
<b>POS</b>	<b>Article no.</b>	<b>Description</b>	<b>Quantity</b>	<b>Unit</b>
2	6.273-009.0	Joint ring EPDM	1.000	ST
3	6.363-340.0	O-Ring 50 x 2,2 NBR 80	1.000	ST



## 105 Accessories

---

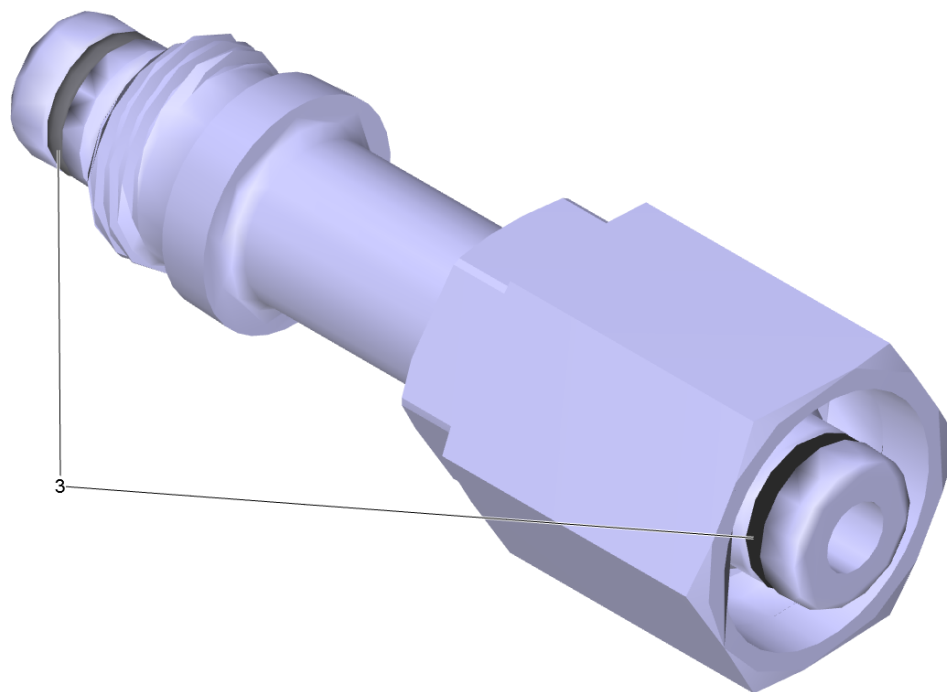
<b>POS</b>	<b>Article no.</b>	<b>Description</b>	<b>Quantity</b>	<b>Unit</b>
1	6.321-196.0	Star grip M5x10	1.000	ST
2	6.371-223.0	Velcro strip	0.300	M



9001 Bearing complete (4.250-078.0)

---

POS	Article no.	Description	Quantity	Unit
2	6.362-658.0	O-Ring seal 7 X 1,5-NBR 90	1.000	ST



9506 Screw union TR FR TR22-TR20 (4.111-022.0)

---

<b>POS</b>	<b>Article no.</b>	<b>Description</b>	<b>Quantity</b>	<b>Unit</b>
3	2.880-001.0	Spare part set seals TR	1.000	ST

---