

Spare parts list

(1.367-501.0) HD 9/50 Pe

Table of contents

HD 9/50 Pe (1.367-501.0)	4
90 Spare parts list HD 9/50 Pe_HD 13/35 Pe (5.970-908.0)	5
10 Frame	6
11 Frame	7
12 Frame	10
20 Pump set	13
21 Piston	14
25 Safety valve 64 MPa (4.590-095.0)	18
25 Safety valve triggering pressure 45 MPa (4.590-101.0)	20
46 Spare part set piston rod (4.880-006.0)	22
1 Piston rod complete	24
100 Spare parts set industry pump (2.885-121.0)	26
100 Spare parts set industry pump (2.885-140.0)	28
22 Piston	30
25 Safety valve 64 MPa (4.590-095.0)	34
25 Safety valve triggering pressure 45 MPa (4.590-101.0)	36
49 Spare part set piston rod (4.880-006.0)	38
1 Piston rod complete	40
100 Spare parts set industry pump (2.885-121.0)	42
100 Spare parts set industry pump (2.885-140.0)	44
23 Excess-current	46
8 Spare parts set excess-current only for (2.885-113.0)	49
18 Valve complete (4.580-661.0)	51
18 Valve complete (4.580-740.0)	53
24 Water filter	55
1 Water filter complete (6.415-960.0)	57
10 Washer 8-A2 ISO 7089 (7.312-017.0)	59
25 Water filter	60
1 Water filter complete (6.415-960.0)	62
8 Washer 8-A2 ISO 7089 (7.312-017.0)	64
26 Rotation regulator	65
8 Speed control HD Cage PE (4.741-022.0)	67
30 Motor	69
31 Motor	70
32 Motor	72
40 Accessories	74
41 Hand trigger gun	75
6 Spare part set adapter 65MPa (2.885-216.0)	77

Table of contents

42 Hand trigger gun	79
Hand trigger gun only for replacement (4.775-824.0)	81
40 Spare part set piston 65MPa (2.885-214.0)	83
60 Spare part set adapter 65MPa (2.885-216.0)	85
6 Spare part set adapter 65MPa (2.885-216.0)	87
11 Spare part set piston 65MPa (2.885-214.0)	89
43 High pressure hose	91
1 Hose assembly DN10 62MPa 30m (6.391-019.0)	93
1 Hose assembly DN8 64MPa 30m (6.391-020.0)	95
1 Hose assembly DN10 62MPa 20m (6.391-847.0)	97
1 Hose assembly DN8 64MPa 10m (6.391-848.0)	99
44 Jet pipe	101
Jet pipe complete 700 mm 65 MPa (4.760-679.0)	103
50 Add-on kit castor	105
60 ABS protection against water shortage ga	107

HD 9/50 Pe (1.367-501.0)

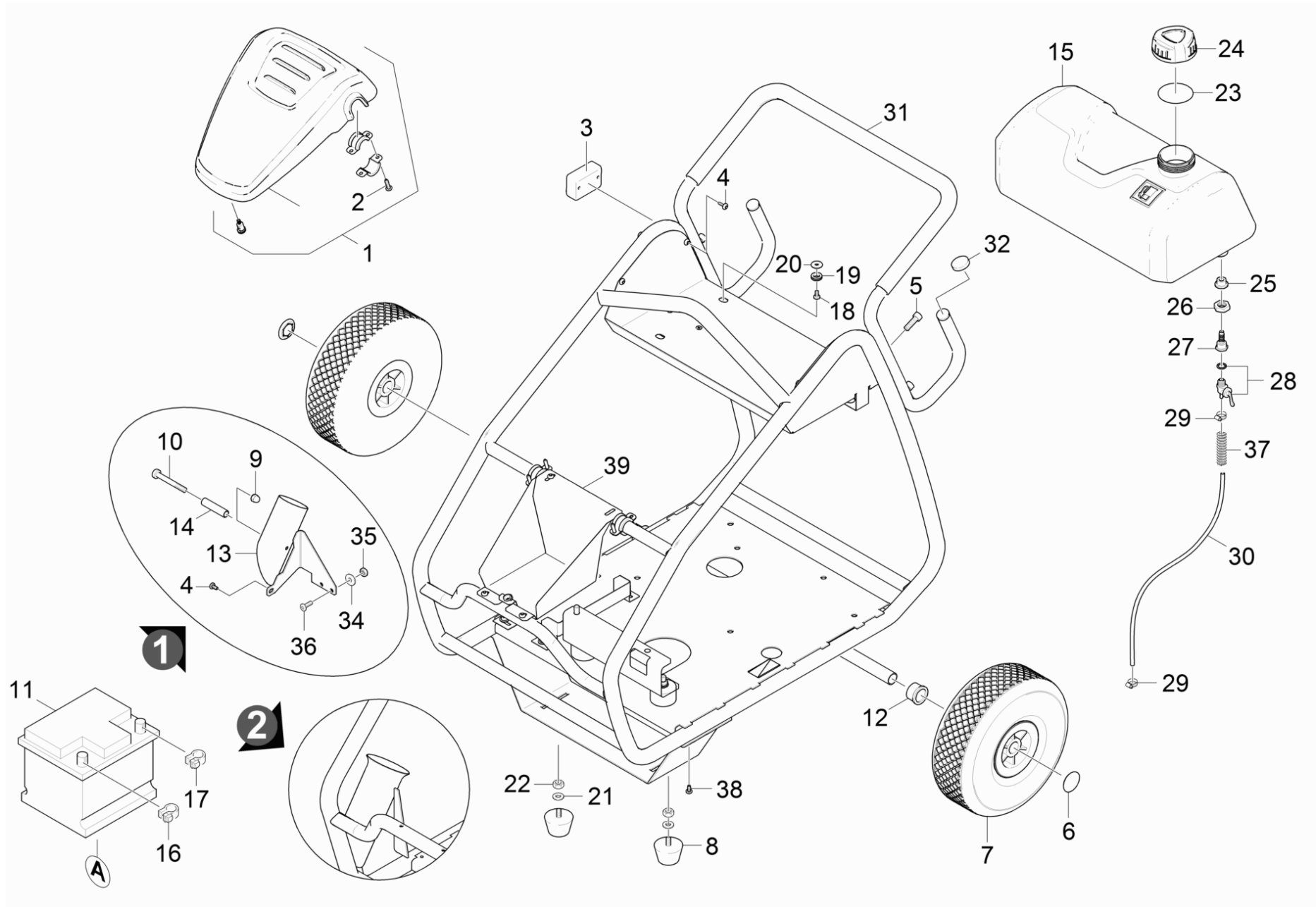
POS	Article no.	Description	Quantity	Unit
90	5.970-908.0	Spare parts list HD 9/50 Pe_HD 13/35 Pe	1.000	ST

90 Spare parts list HD 9/50 Pe_HD 13/35 Pe (5.970-908.0)

POS	Description	Quantity	Unit
10	Frame	1.000	ST
20	Pump set	1.000	ST
30	Motor	1.000	ST
40	Accessories	1.000	ST
50	Add-on kit castor	1.000	ST
60	ABS protection against water shortage ga	1.000	ST

10 Frame

POS	Description	Quantity	Unit	Remark
11	Frame	1.000	ST	VERSION 1
12	Frame	1.000	ST	VERSION 2

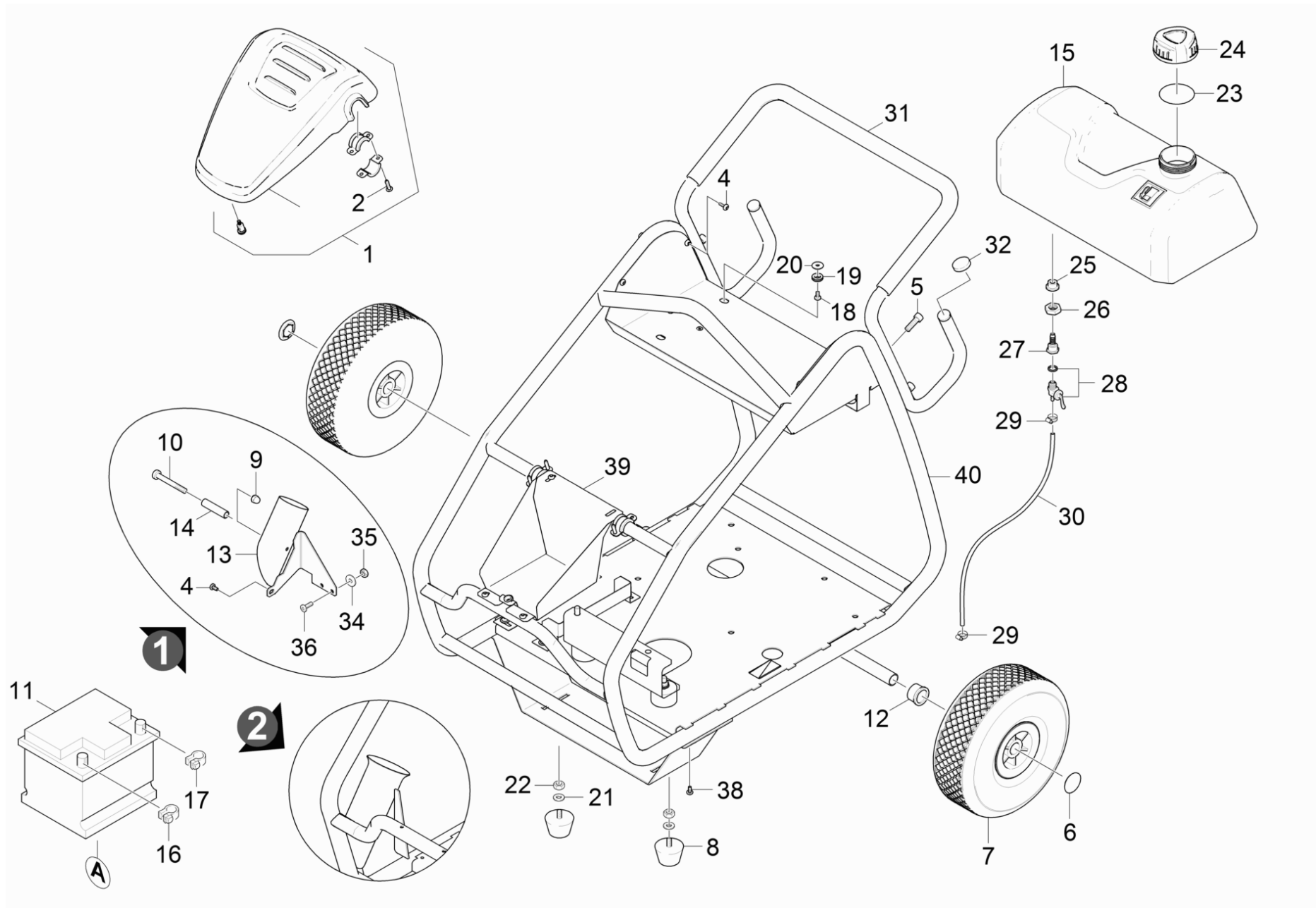


11 Frame

POS	Article no.	Description	Quantity	Unit	Remark	Foot note text
1	2.885-118.0	Spare part set cover	1.000	ST		
2	7.303-112.0	Screw 6x20 -10.9-R2R (In6Rd)	4.000	ST		
3	6.681-109.0	Hour counter gasoline	1.000	ST		
4	7.303-046.0	Screw M6x12 -St-R3R (In6Rd)	8.000	ST		
5	7.306-043.0	Cylinder head screw M8x30 -8.8-A2E ISO	4.000	ST		
6	6.343-137.0	Quick-fastener	2.000	ST		
7	6.435-008.0	Wheel	2.000	ST		
8	6.339-100.0	Rubber buffer	2.000	ST		
9	7.311-622.0	Cap nut M 6-A2 DIN 986	1.000	ST		
10	7.304-233.0	Hexagonal head screw M 6X 70-A4-70 ISO	1.000	ST		
11	6.654-026.3	Battery 36AH 12V	1.000	ST		
12	5.110-378.0	Sleeve	2.000	ST		
13	4.043-478.0	Holder accessories complete	1.000	ST		
14	5.111-162.0	Sleeve	1.000	ST		
15	5.071-198.0	Tank fuel GX 670	1.000	ST	VERSION 1	
16	6.654-075.0	Battery clamp "+"	1.000	ST		
17	6.654-074.0	Battery clamp	1.000	ST		
18	7.306-090.0	Screw M6x16 -8.8-R3R (In6Rd)	4.000	ST		
19	5.363-366.0	Joint ring 21	1.000	ST		
20	7.312-266.0	Washer 6-A2 ISO 7094	1.000	ST		
21	7.312-289.0	Washer 8 -A2 ISO 7093-1	2.000	ST		
22	7.311-432.0	Hexagon nut M 8-1.4305 DIN 985	2.000	ST		
23	6.363-405.0	O-Ring seal 60x3,5	1.000	ST		
24	4.645-226.0	Cap of a tank complete	1.000	ST		
25	6.649-553.0	Wire protecting sleeve	1.000	ST		
26	7.311-092.0	Hexagon nut M18x1,5 -A2-035 ISO 8675	1.000	ST		
27	5.409-597.0	Nipple Benzinhahn	1.000	ST		
28	6.491-915.0	Fuel valve HD 13/35 Ge	1.000	ST		
29	7.373-017.0	Hose clip A-8-12x9 -W4 DIN3017-1	2.000	ST		
30	6.388-958.0	Hose	1.000	M		TO ORDER AS CUT GOODS
31	5.034-857.0	Retaining bracket	1.000	ST		

11 Frame

POS	Article no.	Description	Quantity	Unit	Remark	Foot note text
32	6.368-309.0	Cap	2.000	ST		
34	7.312-003.0	Washer 6 -200HV-A3E ISO 7090	2.000	ST		
35	7.311-425.0	Hexagon nut M6 -04-A2E DIN 985	2.000	ST		
36	7.303-047.0	Screw M6x16 -St-R3R (In6Rd)	2.000	ST		
37	5.332-994.0	Pressure spring gasoline hose	1.000	ST		
38	7.306-192.0	Screw M 6x 12-A2-70 (In6Rd)	4.000	ST		
39	5.050-913.0	Sheet metal component accessory shed	1.000	ST		



12 Frame

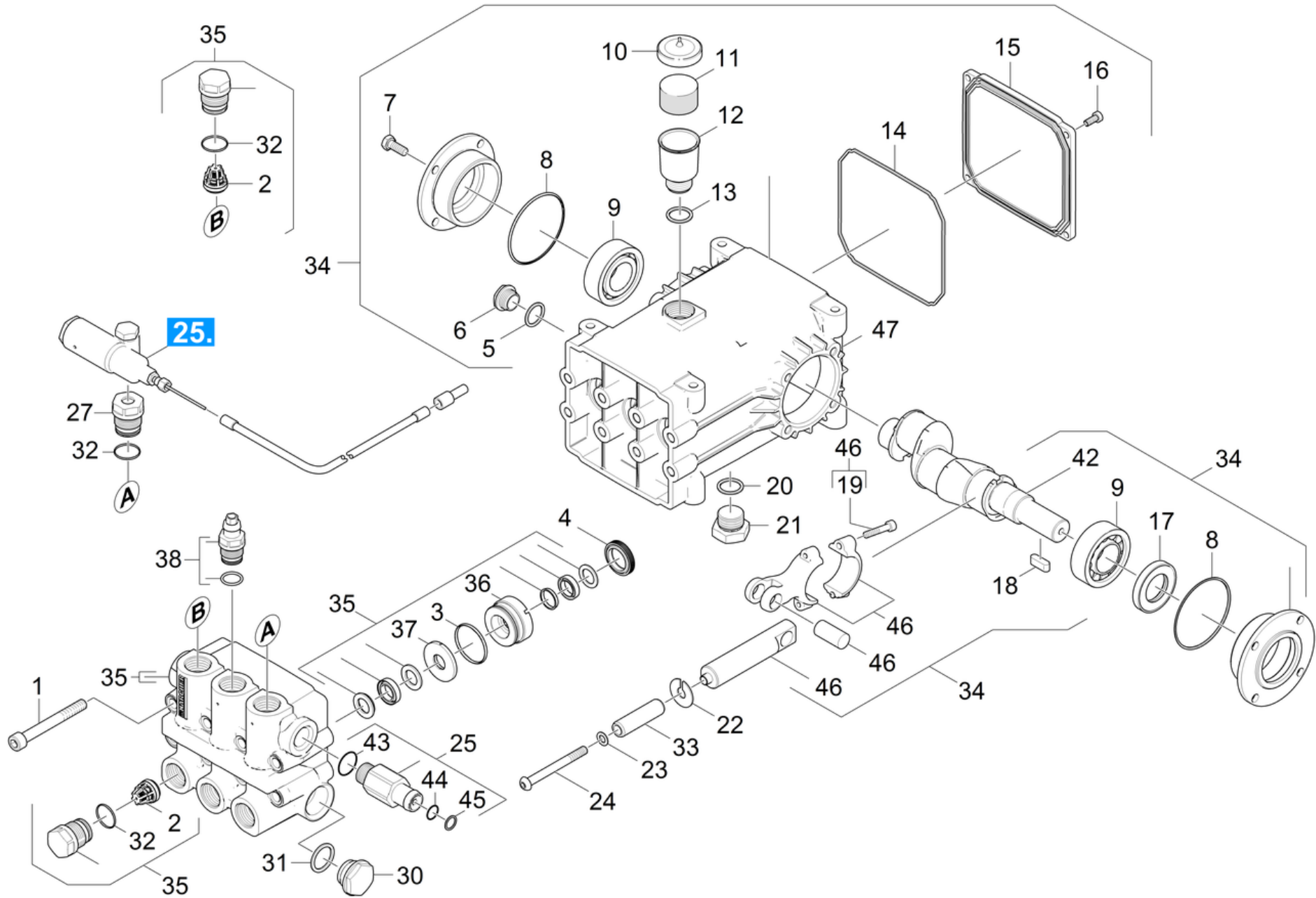
POS	Article no.	Description	Quantity	Unit	Remark	Foot note text
1	2.885-118.0	Spare part set cover	1.000	ST		
2	7.303-112.0	Screw 6x20 -10.9-R2R (In6Rd)	4.000	ST		
4	7.303-046.0	Screw M6x12 -St-R3R (In6Rd)	8.000	ST		
5	7.306-043.0	Cylinder head screw M8x30 -8.8-A2E ISO	4.000	ST		
6	6.343-137.0	Quick-fastener	2.000	ST		
7	6.435-008.0	Wheel	2.000	ST		
8	6.339-100.0	Rubber buffer	2.000	ST		
9	7.311-622.0	Cap nut M 6-A2 DIN 986	1.000	ST		
10	7.304-233.0	Hexagonal head screw M 6X 70-A4-70 ISO	1.000	ST		
11	6.654-026.3	Battery 36AH 12V	1.000	ST		
12	5.110-378.0	Sleeve	2.000	ST		
13	4.043-478.0	Holder accessories complete	1.000	ST		
14	5.111-162.0	Sleeve	1.000	ST		
15	5.071-223.0	Tank fuel	1.000	ST	VERSION 2	
16	6.654-075.0	Battery clamp "+"	1.000	ST		
17	6.654-074.0	Battery clamp	1.000	ST		
18	7.306-090.0	Screw M6x16 -8.8-R3R (In6Rd)	4.000	ST		
19	5.363-366.0	Joint ring 21	1.000	ST		
20	7.312-266.0	Washer 6-A2 ISO 7094	1.000	ST		
21	7.312-289.0	Washer 8 -A2 ISO 7093-1	2.000	ST		
22	7.311-432.0	Hexagon nut M 8-1.4305 DIN 985	2.000	ST		
23	6.363-405.0	O-Ring seal 60x3,5	1.000	ST		
24	4.645-226.0	Cap of a tank complete	1.000	ST		
25	6.649-553.0	Wire protecting sleeve	1.000	ST		
26	7.311-092.0	Hexagon nut M18x1,5 -A2-035 ISO 8675	1.000	ST		
27	5.409-597.0	Nipple Benzinhahn	1.000	ST		
28	6.491-915.0	Fuel valve HD 13/35 Ge	1.000	ST		
29	7.373-017.0	Hose clip A-8-12x9 -W4 DIN3017-1	2.000	ST		
30	6.388-958.0	Hose	1.000	M		TO ORDER AS CUT GOODS
31	5.034-857.0	Retaining bracket	1.000	ST		
32	6.368-309.0	Cap	2.000	ST		

12 Frame

POS	Article no.	Description	Quantity	Unit	Remark	Foot note text
34	7.312-003.0	Washer 6 -200HV-A3E ISO 7090	2.000	ST		
35	7.311-425.0	Hexagon nut M6 -04-A2E DIN 985	2.000	ST		
36	7.303-047.0	Screw M6x16 -St-R3R (In6Rd)	2.000	ST		
38	7.306-192.0	Screw M 6x 12-A2-70 (In6Rd)	4.000	ST		
39	5.050-913.0	Sheet metal component accessory shed	1.000	ST		
40	4.050-939.0	Frame complete	1.000	ST		

20 Pump set

POS	Description	Quantity	Unit	Remark	Foot note text
21	Piston	1.000	ST	VERSION 1	
22	Piston	1.000	ST	VERSION 2	
	Item text1: 1.367-500.0				
	Item text2: 1.367-501.0 ; 10019==>				
23	Excess-current	1.000	ST		
24	Water filter	1.000	ST		VERSION 1
25	Water filter	1.000	ST		VERSION 2
26	Rotation regulator	1.000	ST		



21 Piston

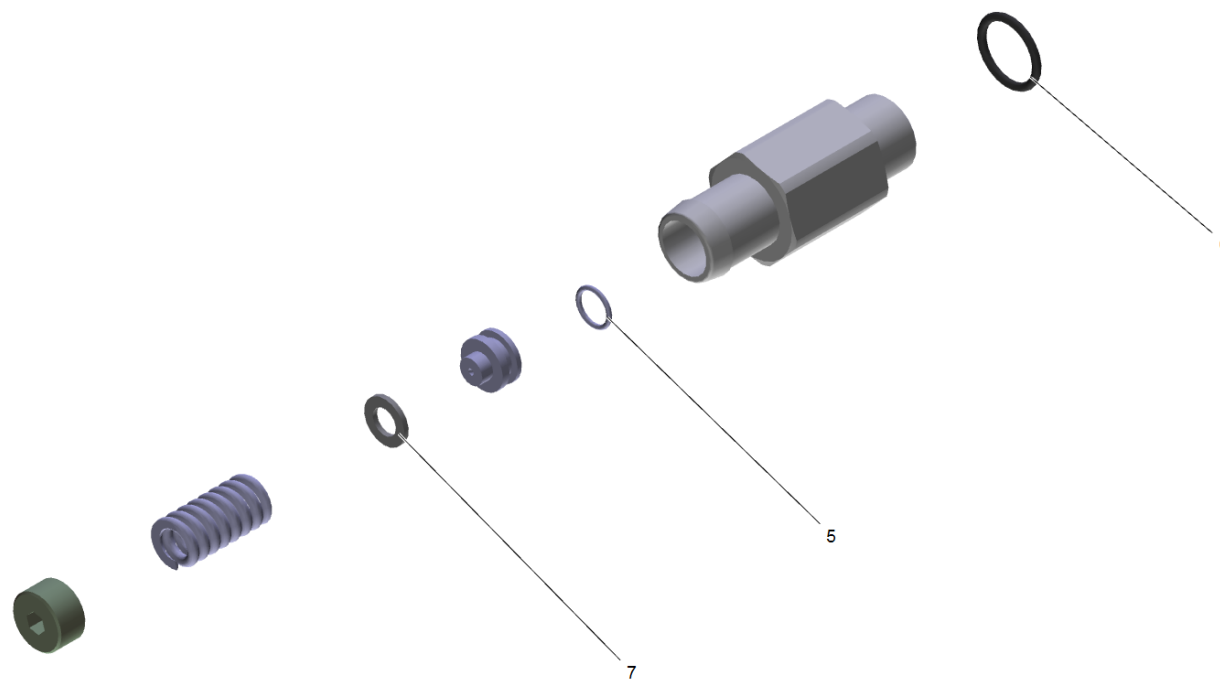
POS	Article no.	Description	Quantity	Unit	Serial number to	Foot note text
0	3.533-228.0	Pump set complete lift 22, D14	1.000	ST		
	Item text1: 1.367-501.0					
0	3.533-227.0	Pump set complete lift 22, D16	1.000	ST		
	Item text1: 1.367-500.0					
1	7.306-807.0	Cylinder head screw M10x85-8.8-A3E ISO4	8.000	ST		
2	2.885-112.0	Spare part set valve	2.000	ST		3 QTY.
3	6.362-377.0	O-Ring seal 38,0 X 2,0-NBR 70	3.000	ST		
4	6.367-032.0	Rotary shaft seal 24X 35-NBR	3.000	ST		
5	6.362-585.0	Seal	1.000	ST		
6	5.411-062.0	Screw plug	1.000	ST		
7	7.304-397.0	Hexagonal head screw M8x20-8.8-A2E ISO	8.000	ST		
8	6.362-887.0	O-Ring seal 65,0 X 2,5	2.000	ST		
9	6.401-384.0	Cylindere bearing NJ 2206 E P/C3	2.000	ST		
10	5.064-457.0	cover plate qusty grey oil	1.000	ST		
11	5.132-107.0	Plug	1.000	ST		
12	5.070-194.0	Tank	1.000	ST		
13	6.362-168.0	O-Ring seal 22,3 X 2,4-NBR 70	1.000	ST		
14	6.363-257.0	O-Ring seal	1.000	ST		
15	5.064-154.0	Cover	1.000	ST		
16	7.306-030.0	Screw M 6x14-A2-70 DIN 7984	4.000	ST		
17	6.367-099.0	Rotary shaft seal 52x30	1.000	ST		
18	7.318-038.0	Parallel key 8x7x40-C45K DIN 6885	1.000	ST		
19	7.306-024.0	Cylinder head screw M6x30 -8.8-A2E ISO4	6.000	ST		
20	6.363-319.0	O-Ring seal 21,5X3,2	1.000	ST		
21	5.411-177.0	Screw plug	1.000	ST		
22	5.116-327.0	Washer lift 25 D14	6.000	ST		
	Item text1: 1.367-501.0					
22	5.116-095.0	Washer lift 25	3.000	ST		
	Item text1: 1.367-500.0					
23	7.362-029.0	Joint ring A8x14 -Cu DIN 7603	3.000	ST		
	Item text1: 1.367-500.0					
23	5.116-370.0	Joint ring	3.000	ST		
	Item text1: 1.367-501.0					

21 Piston

POS	Article no.	Description	Quantity	Unit	Serial number to	Foot note text
24	7.306-260.0	Screw M8x70 -A2-70 ISO 7380	3.000	ST		
	Item text1: 1.367-500.0					
24	7.306-259.0	Screw M6x70 -A4-70 ISO 7380	3.000	ST		
	Item text1: 1.367-501.0					
25	4.590-101.0	Safety valve triggering pressure 45 MPa	1.000	ST		
	Item text1: 1.367-500.0					
25	4.590-095.0	Safety valve 64 MPa	1.000	ST		
	Item text1: 1.367-501.0					
27	5.583-206.0	Valve screw rotation speed control	1.000	ST		
	Item text1: 1.367-501.0					
27	5.583-202.0	Valve screw rotation speed control	1.000	ST		
	Item text1: 1.367-500.0					
30	5.409-609.0	Drain plug 1"	1.000	ST		
31	6.363-437.0	O-Ring seal 30x3	1.000	ST		
32	6.363-392.0	O-Ring seal 20,0 x 2,0 PUR 94	6.000	ST		
33	5.111-044.0	Sleeve D14	3.000	ST		
	Item text1: 1.367-501.0					
33	5.111-030.0	Sleeve D16	3.000	ST		
	Item text1: 1.367-500.0					
34	3.626-017.0	Gear lift 22	1.000	ST		
	Item text1: 1.367-501.0					
34	3.626-011.0	Gear lift 22	1.000	ST		
	Item text1: 1.367-500.0					
35	7.777-999.0	Stockpiling discontinued	1.000	ST	10018	ORDER VERSION 2
	Item text1: 1.367-501.0					
35	4.550-816.0	Cylinder head kpl. D16	1.000	ST		
	Item text1: 1.367-500.0					
36	5.511-011.0	Screw plug D14	3.000	ST		
	Item text1: 1.367-501.0					
36	5.511-007.0	Screw plug D16	3.000	ST		
	Item text1: 1.367-500.0					
37	5.112-807.0	Bush D16	3.000	ST		
	Item text1: 1.367-500.0					

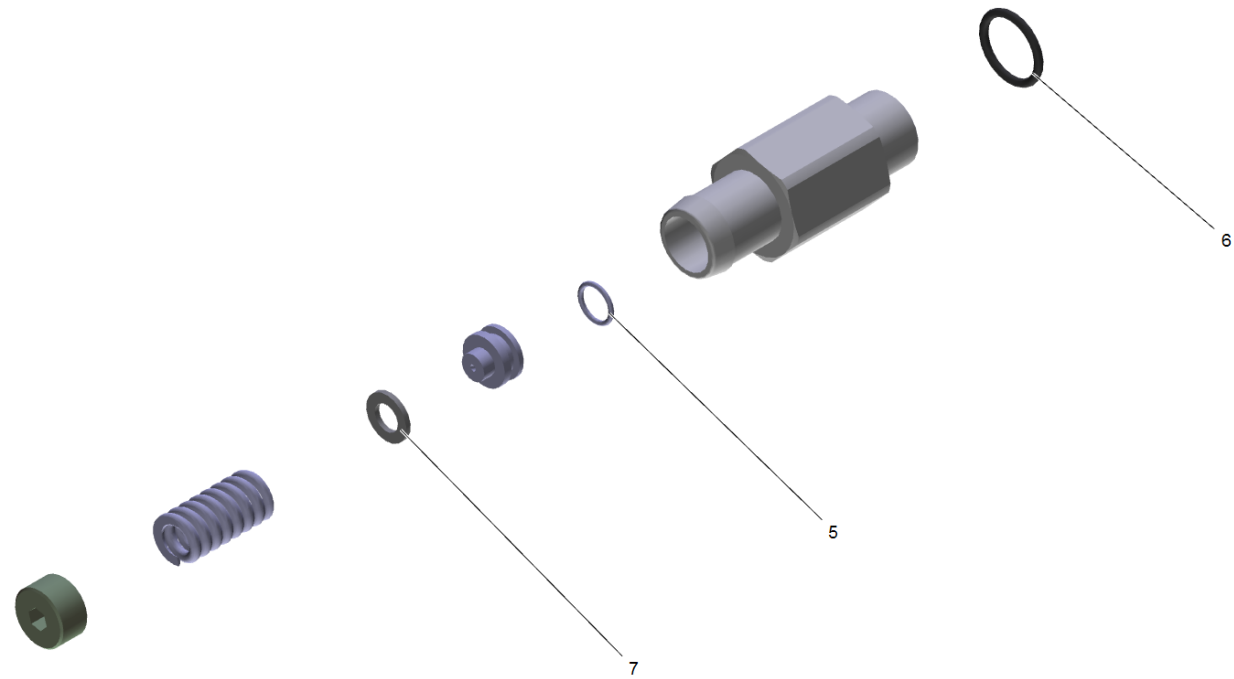
21 Piston

POS	Article no.	Description	Quantity	Unit	Serial number to	Foot note text
37	5.112-819.0	Bush D14	3.000	ST		
	Item text1: 1.367-501.0					
38	4.580-754.0	Thermostatic valve	1.000	ST		
	Item text1: 1.367-501.0					
38	4.580-700.0	Thermostatic valve	1.000	ST		
	Item text1: 1.367-500.0					
42	5.103-041.0	Crankshaft lift 22	1.000	ST		
43	6.362-079.0	O-Ring seal 18,0 X 2,5	1.000	ST		
44	6.362-170.0	O-Ring seal 11,3 X 2,4-NBR 70	1.000	ST		
45	7.312-073.0	Washer 8 -CuZn ISO 7092	1.000	ST		
46	4.880-059.0	Spare part set piston rod	3.000	ST		
	Item text1: 1.367-500.0					
46	4.880-006.0	Spare part set piston rod	3.000	ST		
	Item text1: 1.367-501.0					
47	5.064-151.0	Crankcase	1.000	ST		
100	2.885-140.0	Spare parts set industry pump	1.000	ST		
	Item text1: 1.367-501.0					
100	2.885-121.0	Spare parts set industry pump	1.000	ST		
	Item text1: 1.367-500.0					



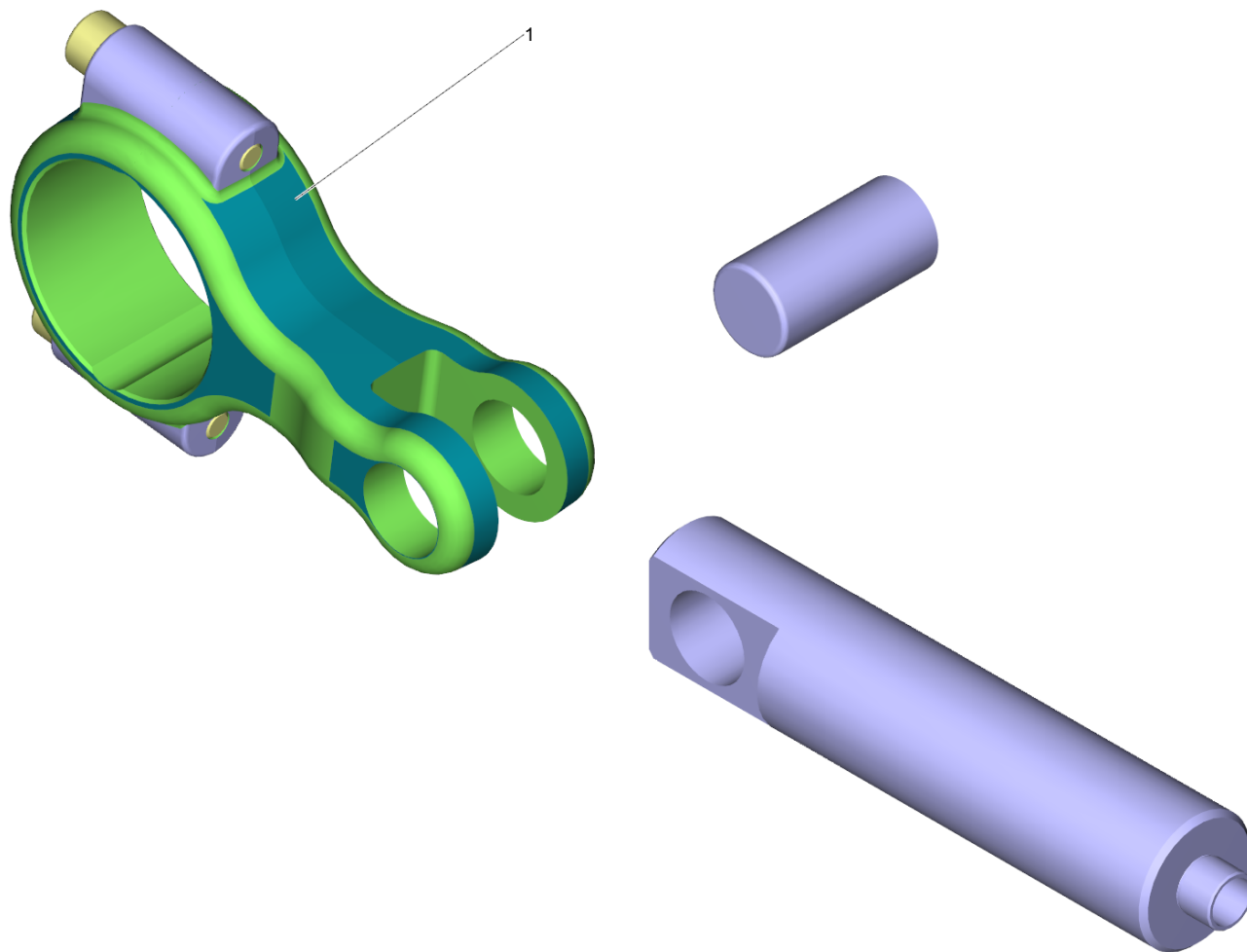
25 Safety valve 64 MPa (4.590-095.0)

POS	Article no.	Description	Quantity	Unit
5	6.362-170.0	O-Ring seal 11,3 X 2,4-NBR 70	1.000	ST
6	6.362-079.0	O-Ring seal 18,0 X 2,5	1.000	ST
7	7.312-073.0	Washer 8 -CuZn ISO 7092	1.000	ST



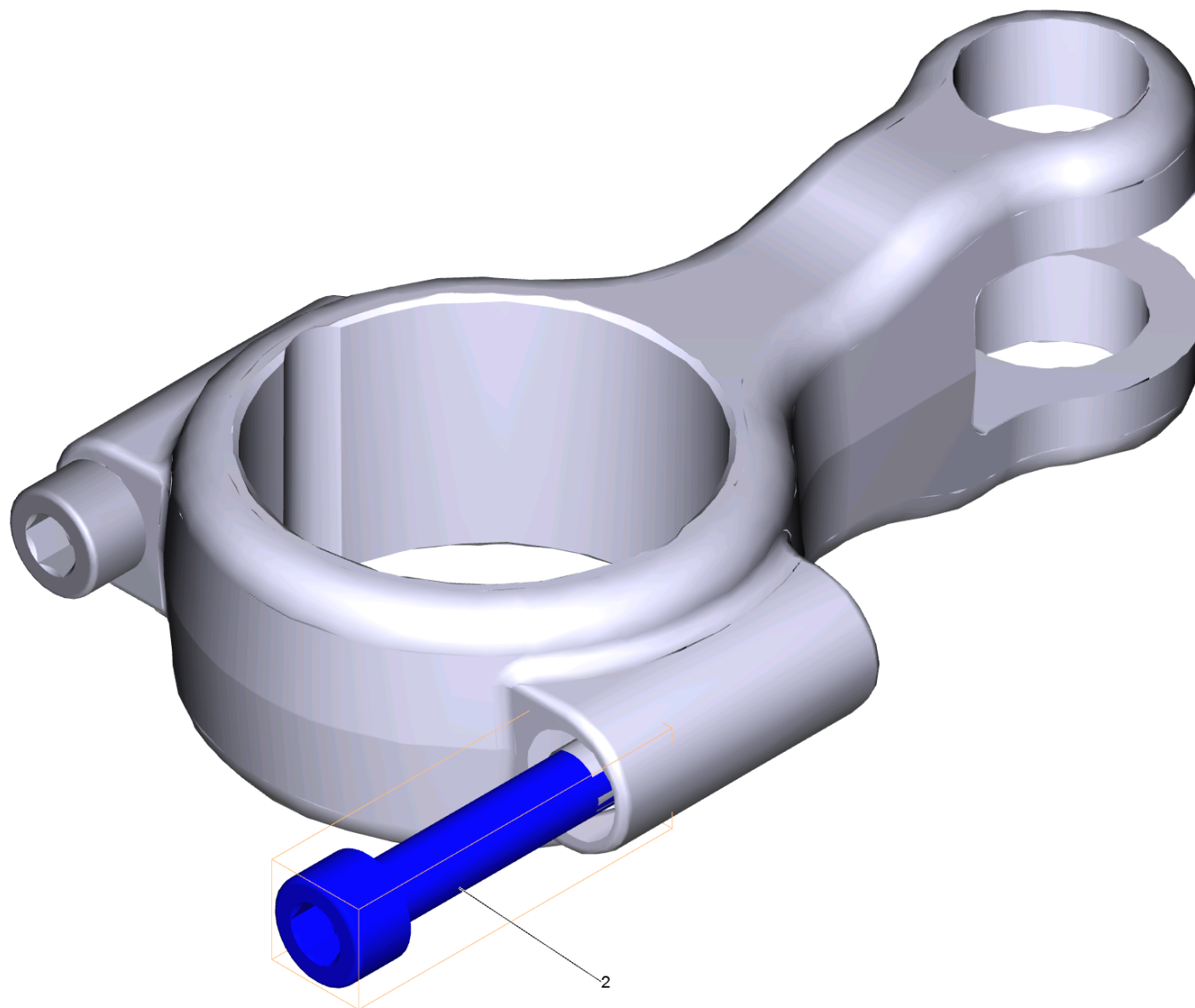
25 Safety valve triggering pressure 45 MPa (4.590-101.0)

POS	Article no.	Description	Quantity	Unit
5	6.362-170.0	O-Ring seal 11,3 X 2,4-NBR 70	1.000	ST
6	6.362-079.0	O-Ring seal 18,0 X 2,5	1.000	ST
7	7.312-073.0	Washer 8 -CuZn ISO 7092	1.000	ST



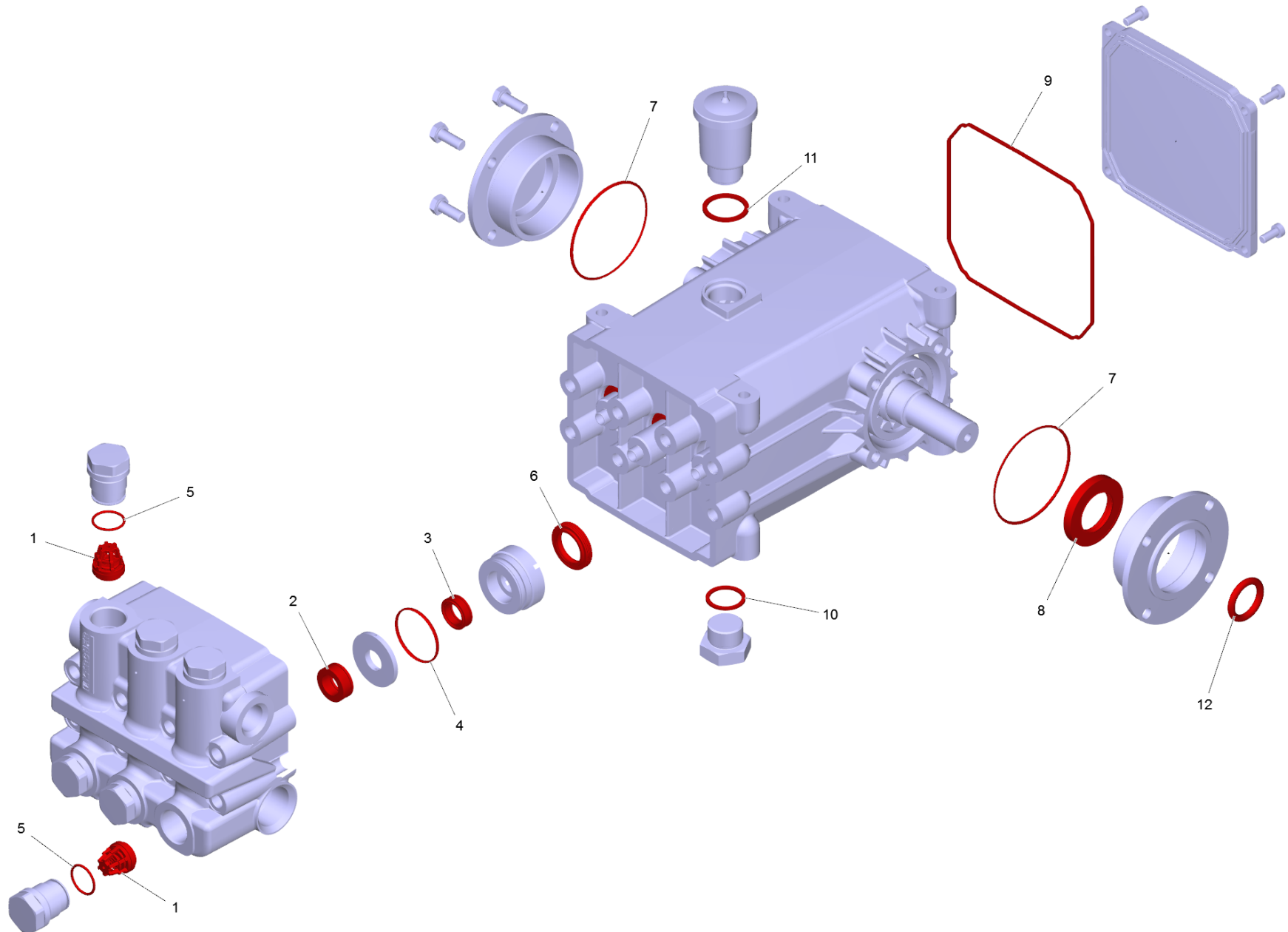
46 Spare part set piston rod (4.880-006.0)

POS	Description	Quantity	Unit
1	Piston rod complete	1.000	ST



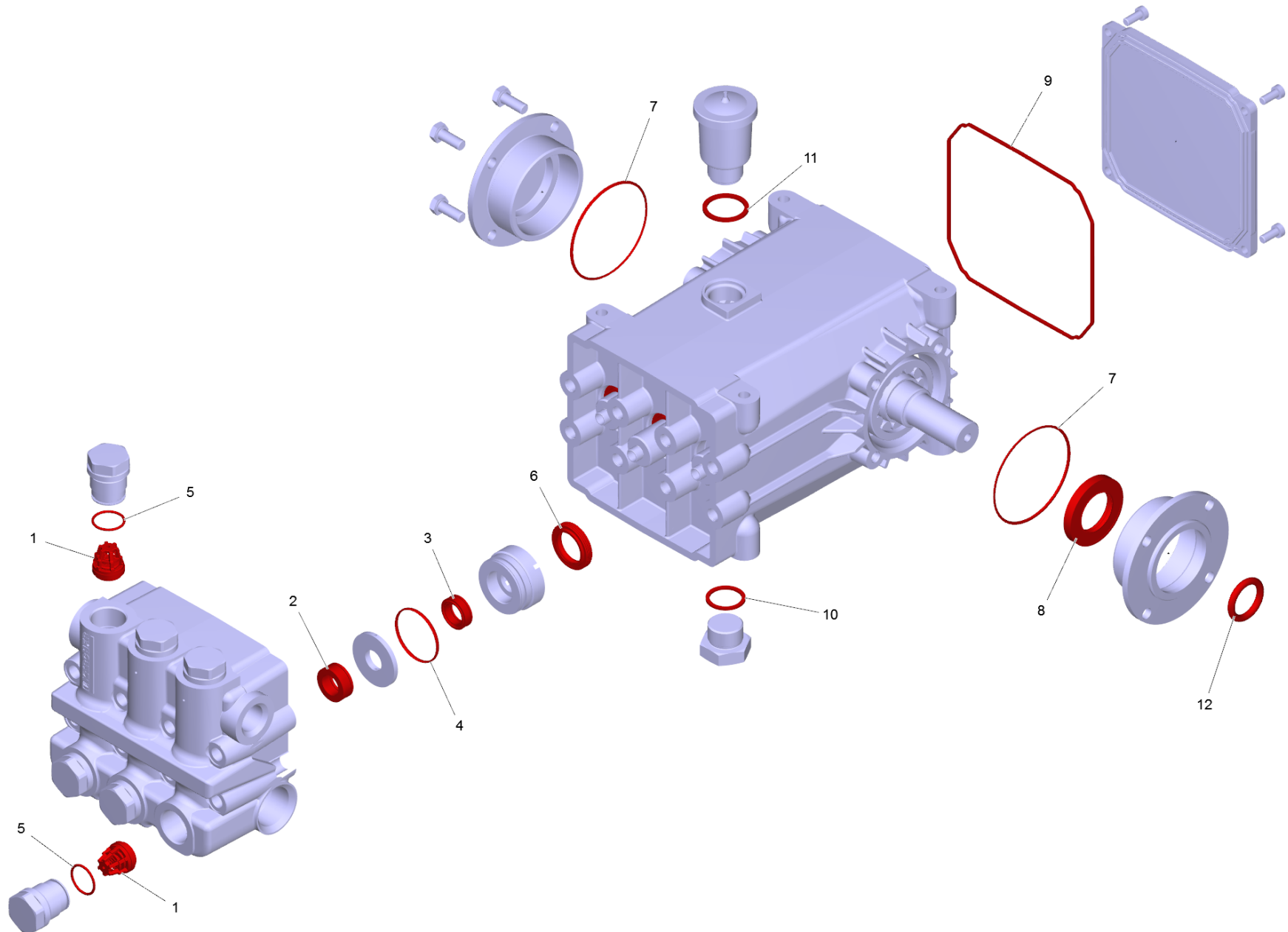
1 Piston rod complete

POS	Article no.	Description	Quantity	Unit
2	7.306-024.0	Cylinder head screw M6x30 -8.8-A2E ISO4	2.000	ST



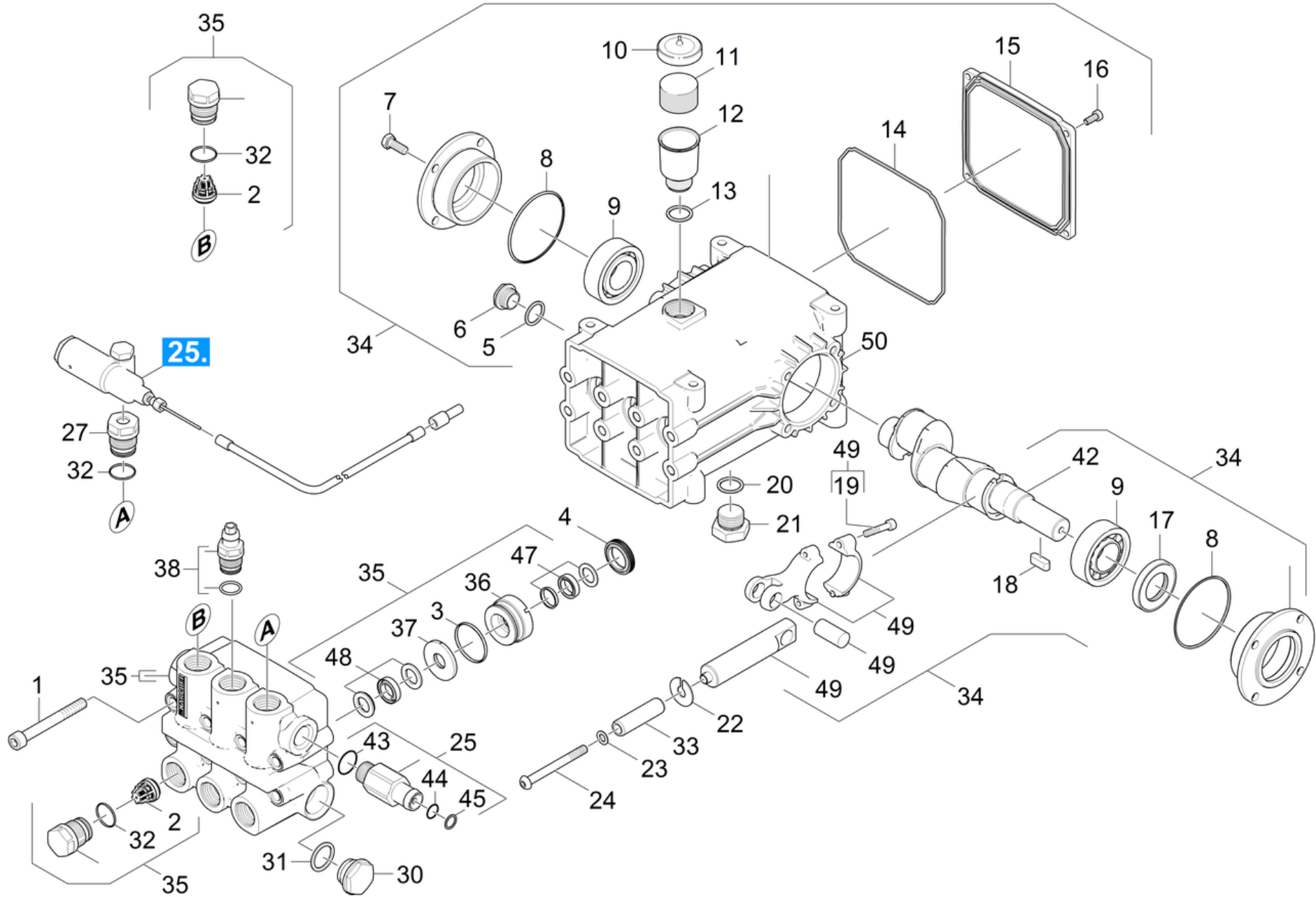
100 Spare parts set industry pump (2.885-121.0)

POS	Article no.	Description	Quantity	Unit
1	2.885-112.0	Spare part set valve	2.000	ST
2	6.365-494.0	HD set of gaskets W1	3.000	ST
3	6.365-496.0	ND set of gaskets W2	3.000	ST
4	6.362-377.0	O-Ring seal 38,0 X 2,0-NBR 70	3.000	ST
5	6.363-392.0	O-Ring seal 20,0 x 2,0 PUR 94	6.000	ST
6	6.367-032.0	Rotary shaft seal 24X 35-NBR	3.000	ST
7	6.362-887.0	O-Ring seal 65,0 X 2,5	2.000	ST
8	6.367-099.0	Rotary shaft seal 52x30	1.000	ST
9	6.363-257.0	O-Ring seal	1.000	ST
10	6.362-168.0	O-Ring seal 22,3 X 2,4-NBR 70	1.000	ST
11	6.363-319.0	O-Ring seal 21,5X3,2	1.000	ST
12	6.363-328.0	O-Ring seal 23.16x5.33	1.000	ST



100 Spare parts set industry pump (2.885-140.0)

POS	Article no.	Description	Quantity	Unit	Foot note text
1	2.885-158.0	Spare part set valve	2.000	ST	3 QTY.
2	6.365-538.0	Set of gaskets	3.000	ST	
3	6.365-539.0	Set of gaskets	3.000	ST	
4	6.362-377.0	O-Ring seal 38,0 X 2,0-NBR 70	3.000	ST	
5	6.363-513.0	O-Ring seal 14x2 PUR 94	6.000	ST	
6	6.367-032.0	Rotary shaft seal 24X 35-NBR	3.000	ST	
7	6.362-887.0	O-Ring seal 65,0 X 2,5	2.000	ST	
8	6.367-099.0	Rotary shaft seal 52x30	1.000	ST	
9	6.363-257.0	O-Ring seal	1.000	ST	
10	6.362-168.0	O-Ring seal 22,3 X 2,4-NBR 70	1.000	ST	
11	6.363-319.0	O-Ring seal 21,5X3,2	1.000	ST	
12	6.363-328.0	O-Ring seal 23.16x5.33	1.000	ST	



22 Piston

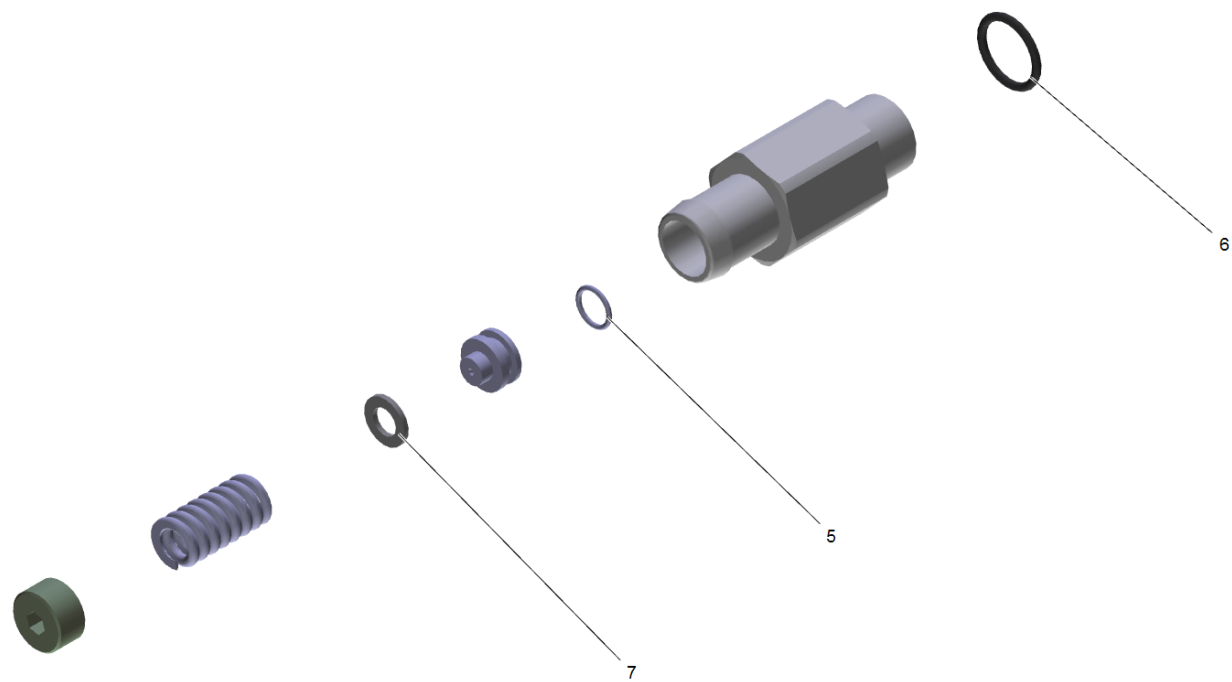
POS	Article no.	Description	Quantity	Unit	Serial number from	Foot note text
0	3.533-228.0	Pump set complete lift 22, D14	1.000	ST		
	Item text1: 1.367-501.0					
0	3.533-227.0	Pump set complete lift 22, D16	1.000	ST		
	Item text1: 1.367-500.0					
1	7.306-807.0	Cylinder head screw M10x85-8.8-A3E ISO4	8.000	ST		
2	2.885-112.0	Spare part set valve	2.000	ST		3 QTY.
	Item text1: 1.367-500.0					
2	2.885-158.0	Spare part set valve	2.000	ST	10019	3 QTY.
	Item text1: 1.367-501.0					
3	6.362-377.0	O-Ring seal 38,0 X 2,0-NBR 70	3.000	ST		
4	6.367-032.0	Rotary shaft seal 24X 35-NBR	3.000	ST		
5	6.362-585.0	Seal	1.000	ST		
6	5.411-062.0	Screw plug	1.000	ST		
7	7.304-397.0	Hexagonal head screw M8x20-8.8-A2E ISO	8.000	ST		
8	6.362-887.0	O-Ring seal 65,0 X 2,5	2.000	ST		
9	6.401-384.0	Cylindere bearing NJ 2206 E P/C3	2.000	ST		
10	5.064-457.0	cover plate qusty grey oil	1.000	ST		
11	5.132-107.0	Plug	1.000	ST		
12	5.070-194.0	Tank	1.000	ST		
13	6.362-168.0	O-Ring seal 22,3 X 2,4-NBR 70	1.000	ST		
14	6.363-257.0	O-Ring seal	1.000	ST		
15	5.064-154.0	Cover	1.000	ST		
16	7.306-030.0	Screw M 6x14-A2-70 DIN 7984	4.000	ST		
17	6.367-099.0	Rotary shaft seal 52x30	1.000	ST		
18	7.318-038.0	Parallel key 8x7x40-C45K DIN 6885	1.000	ST		
19	7.306-024.0	Cylinder head screw M6x30 -8.8-A2E ISO4	6.000	ST		
20	6.363-319.0	O-Ring seal 21,5X3,2	1.000	ST		
21	5.411-177.0	Screw plug	1.000	ST		
22	5.116-327.0	Washer lift 25 D14	6.000	ST		
	Item text1: 1.367-501.0					
22	5.116-095.0	Washer lift 25	3.000	ST		
	Item text1: 1.367-500.0					
23	7.362-029.0	Joint ring A8x14 -Cu DIN 7603	3.000	ST		

22 Piston

POS	Article no.	Description	Quantity	Unit	Serial number from	Foot note text
		Item text1: 1.367-500.0				
23	5.116-370.0	Joint ring	3.000	ST		
		Item text1: 1.367-501.0				
24	7.306-260.0	Screw M8x70 -A2-70 ISO 7380	3.000	ST		
		Item text1: 1.367-500.0				
24	7.306-259.0	Screw M6x70 -A4-70 ISO 7380	3.000	ST		
		Item text1: 1.367-501.0				
25	4.590-101.0	Safety valve triggering pressure 45 MPa	1.000	ST		
		Item text1: 1.367-500.0				
25	4.590-095.0	Safety valve 64 MPa	1.000	ST		
		Item text1: 1.367-501.0				
27	5.583-206.0	Valve screw rotation speed control	1.000	ST		
		Item text1: 1.367-501.0				
27	5.583-202.0	Valve screw rotation speed control	1.000	ST		
		Item text1: 1.367-500.0				
30	5.409-609.0	Drain plug 1"	1.000	ST		
31	6.363-437.0	O-Ring seal 30x3	1.000	ST		
32	6.363-513.0	O-Ring seal 14x2 PUR 94	6.000	ST	10019	
		Item text1: 1.367-501.0				
32	6.363-392.0	O-Ring seal 20,0 x 2,0 PUR 94	6.000	ST		
		Item text1: 1.367-500.0				
33	5.111-044.0	Sleeve D14	3.000	ST		
		Item text1: 1.367-501.0				
33	5.111-030.0	Sleeve D16	3.000	ST		
		Item text1: 1.367-500.0				
34	3.626-017.0	Gear lift 22	1.000	ST		
		Item text1: 1.367-501.0				
34	3.626-011.0	Gear lift 22	1.000	ST		
		Item text1: 1.367-500.0				
35	4.550-936.0	Cylinder head complete D14	1.000	ST	10019	
		Item text1: 1.367-501.0				
35	4.550-816.0	Cylinder head kpl. D16	1.000	ST		
		Item text1: 1.367-500.0				

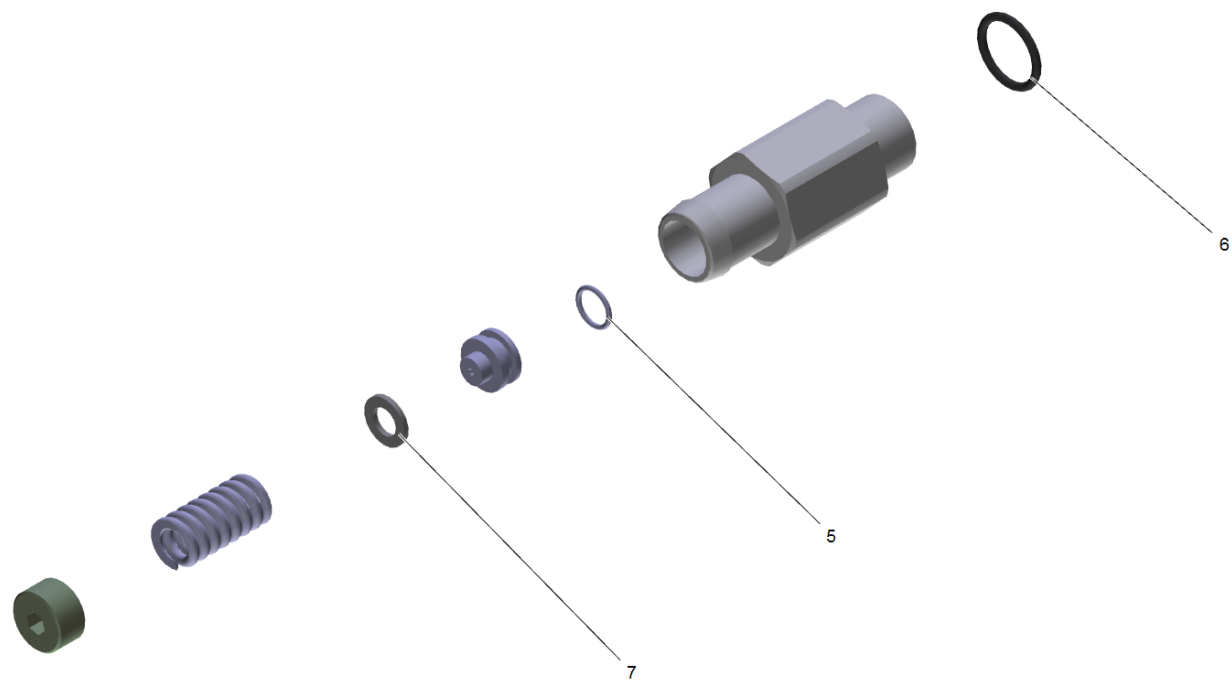
22 Piston

POS	Article no.	Description	Quantity	Unit	Serial number from	Foot note text
36	5.511-011.0	Screw plug D14	3.000	ST		
	Item text1: 1.367-501.0					
36	5.511-007.0	Screw plug D16	3.000	ST		
	Item text1: 1.367-500.0					
37	5.112-819.0	Bush D14	3.000	ST		
	Item text1: 1.367-501.0					
37	5.112-807.0	Bush D16	3.000	ST		
	Item text1: 1.367-500.0					
38	4.580-754.0	Thermostatic valve	1.000	ST		
	Item text1: 1.367-501.0					
38	4.580-700.0	Thermostatic valve	1.000	ST		
	Item text1: 1.367-500.0					
42	5.103-041.0	Crankshaft lift 22	1.000	ST		
43	6.362-079.0	O-Ring seal 18,0 X 2,5	1.000	ST		
44	6.362-170.0	O-Ring seal 11,3 X 2,4-NBR 70	1.000	ST		
45	7.312-073.0	Washer 8 -CuZn ISO 7092	1.000	ST		
47	6.365-538.0	Set of gaskets	3.000	ST	10019	
	Item text1: 1.367-501.0					
47	6.365-496.0	ND set of gaskets W2	3.000	ST		
	Item text1: 1.367-500.0					
48	6.365-539.0	Set of gaskets	3.000	ST	10019	
	Item text1: 1.367-501.0					
48	6.365-494.0	HD set of gaskets W1	3.000	ST		
	Item text1: 1.367-500.0					
49	4.880-059.0	Spare part set piston rod	3.000	ST		
	Item text1: 1.367-500.0					
49	4.880-006.0	Spare part set piston rod	3.000	ST		
	Item text1: 1.367-501.0					
50	5.064-151.0	Crankcase	1.000	ST		
100	2.885-140.0	Spare parts set industry pump	1.000	ST		
	Item text1: 1.367-501.0					
100	2.885-121.0	Spare parts set industry pump	1.000	ST		
	Item text1: 1.367-500.0					



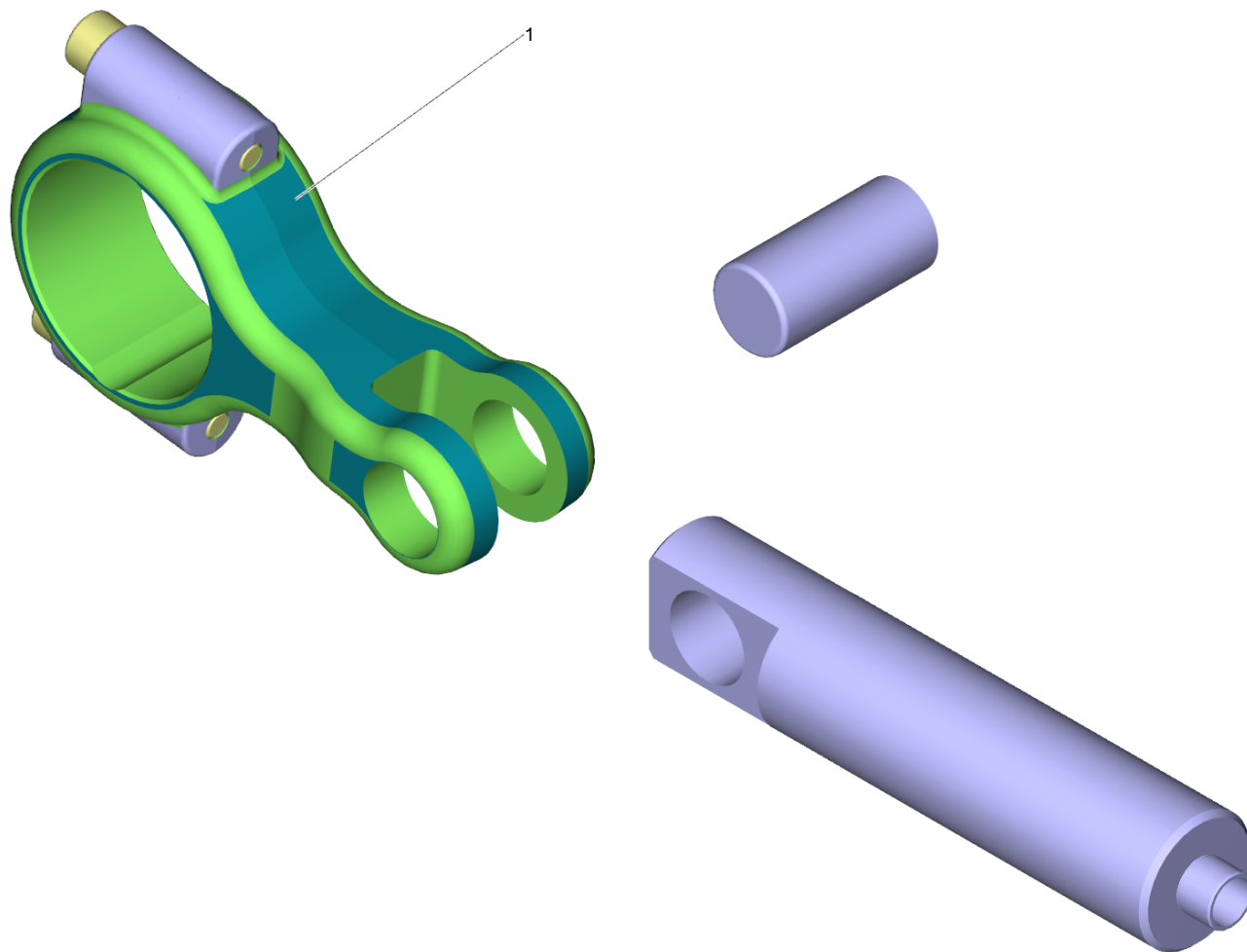
25 Safety valve 64 MPa (4.590-095.0)

POS	Article no.	Description	Quantity	Unit
5	6.362-170.0	O-Ring seal 11,3 X 2,4-NBR 70	1.000	ST
6	6.362-079.0	O-Ring seal 18,0 X 2,5	1.000	ST
7	7.312-073.0	Washer 8 -CuZn ISO 7092	1.000	ST



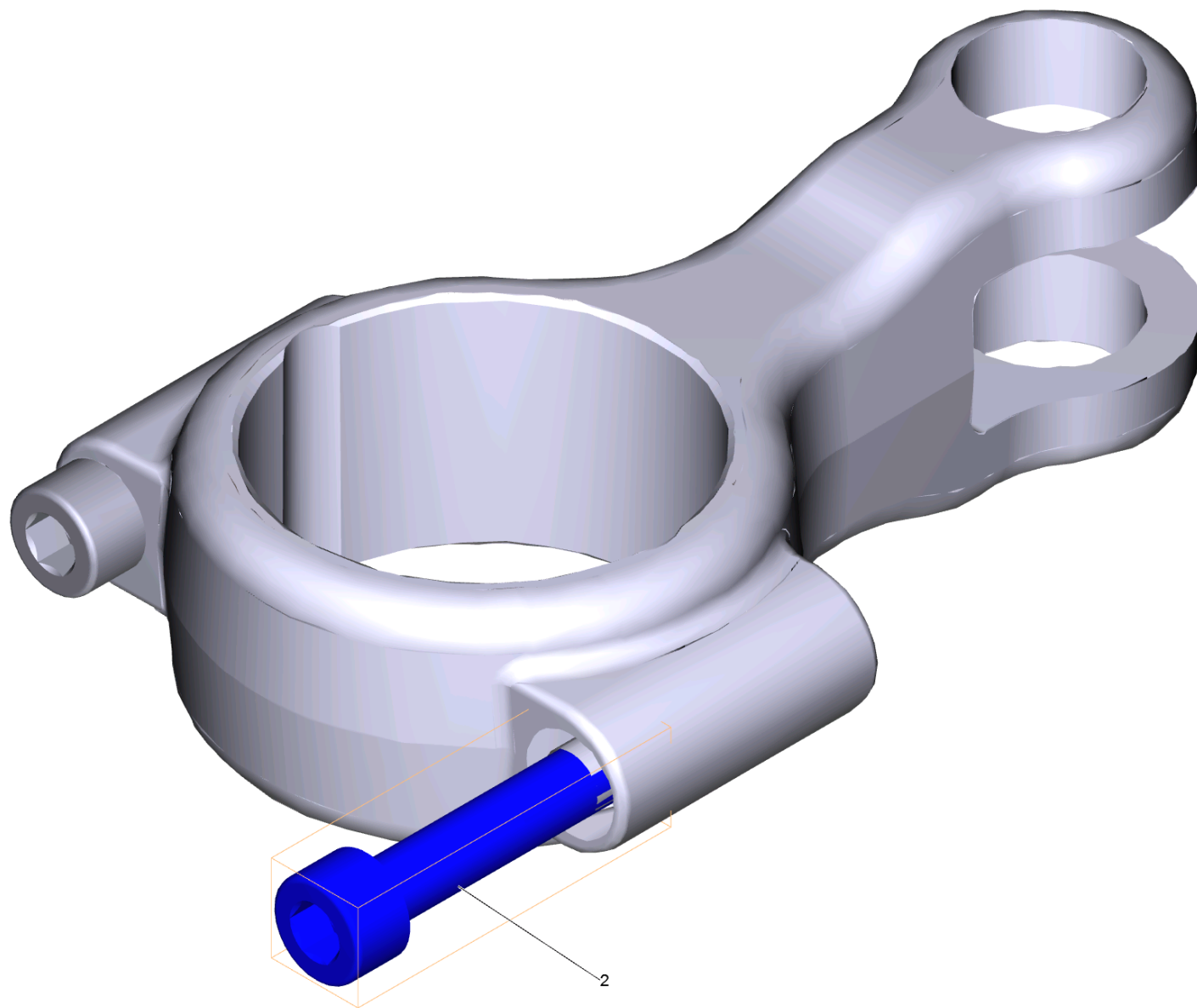
25 Safety valve triggering pressure 45 MPa (4.590-101.0)

POS	Article no.	Description	Quantity	Unit
5	6.362-170.0	O-Ring seal 11,3 X 2,4-NBR 70	1.000	ST
6	6.362-079.0	O-Ring seal 18,0 X 2,5	1.000	ST
7	7.312-073.0	Washer 8 -CuZn ISO 7092	1.000	ST



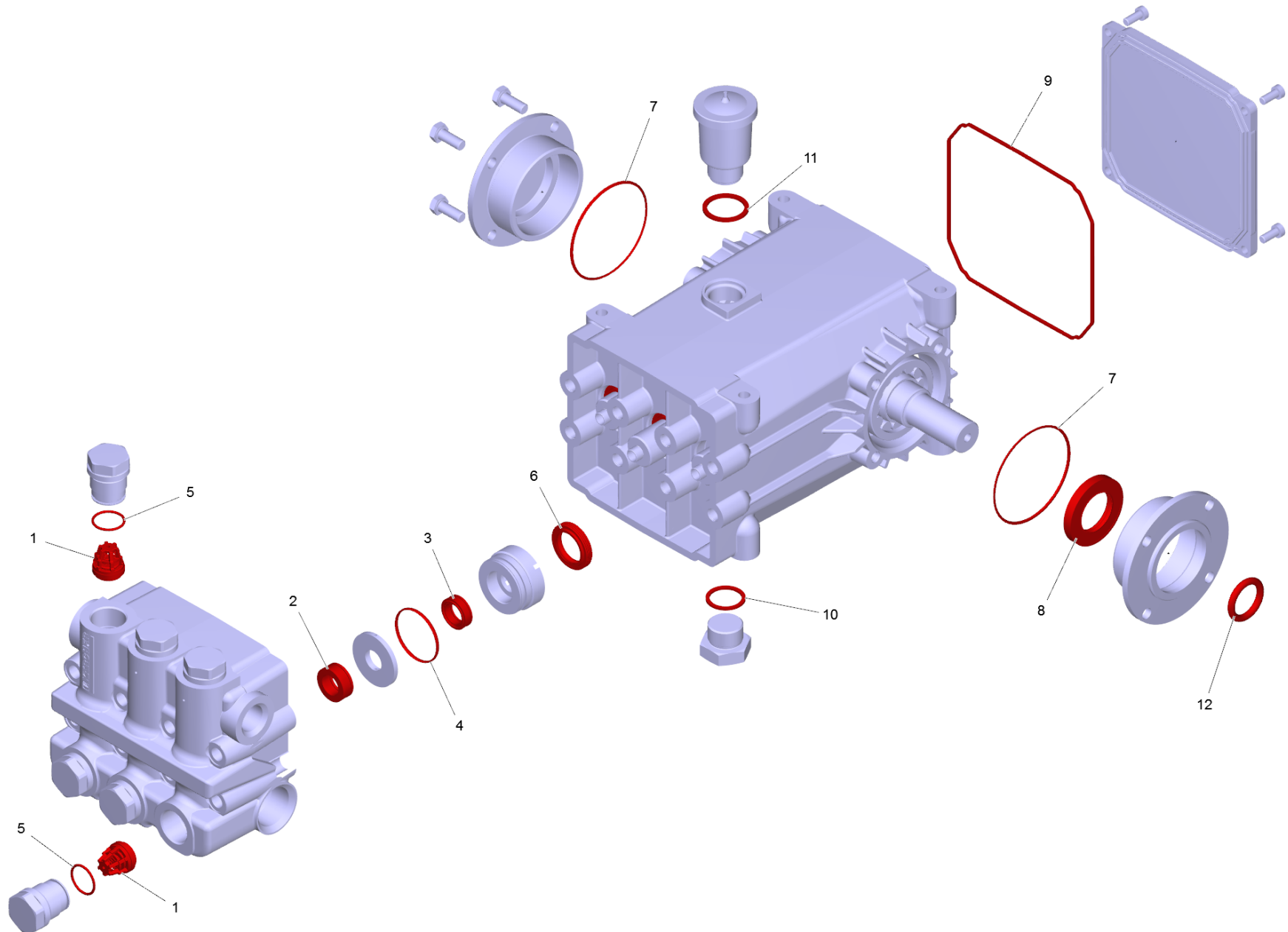
49 Spare part set piston rod (4.880-006.0)

POS	Description	Quantity	Unit
1	Piston rod complete	1.000	ST



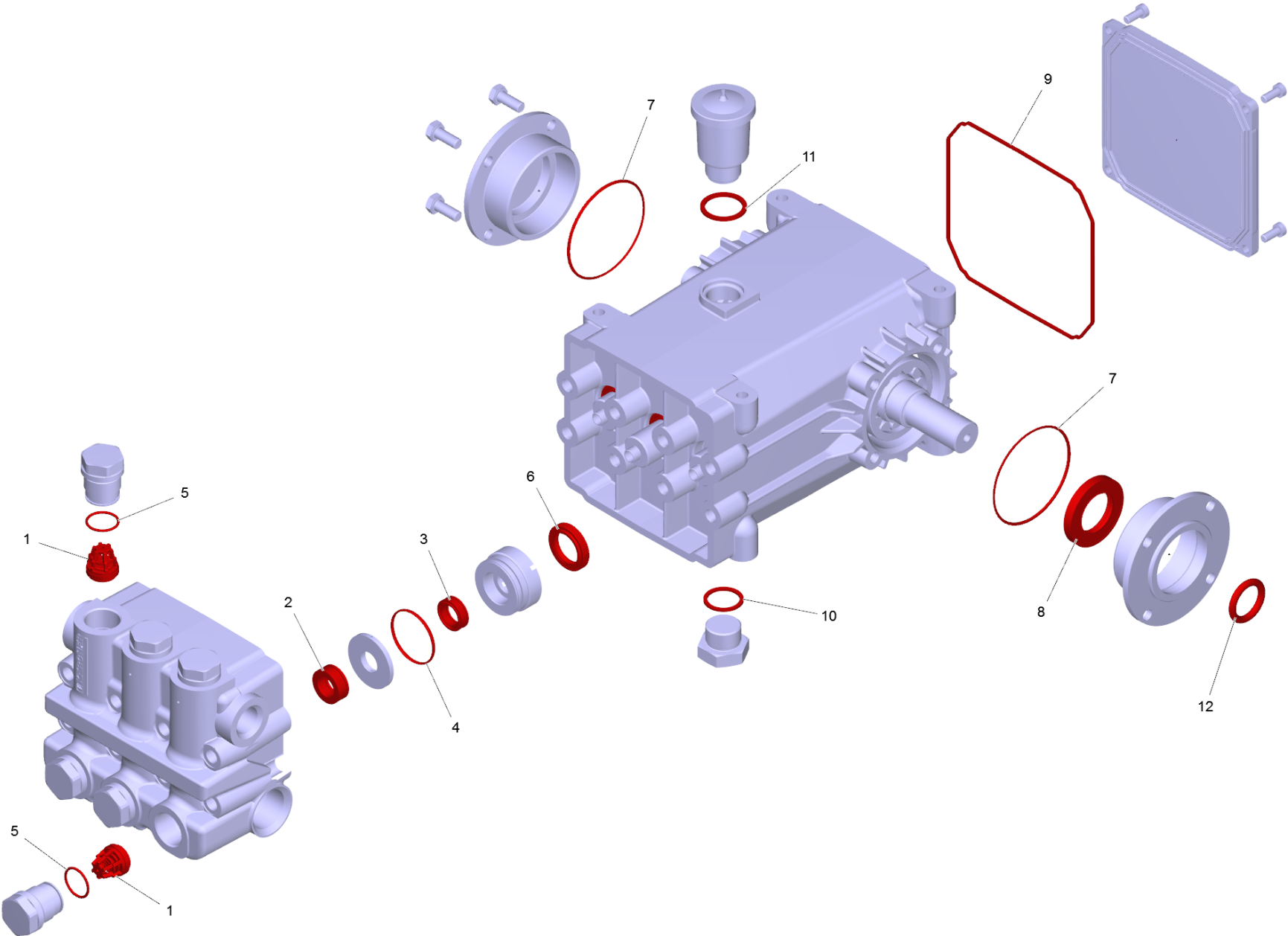
1 Piston rod complete

POS	Article no.	Description	Quantity	Unit
2	7.306-024.0	Cylinder head screw M6x30 -8.8-A2E ISO4	2.000	ST



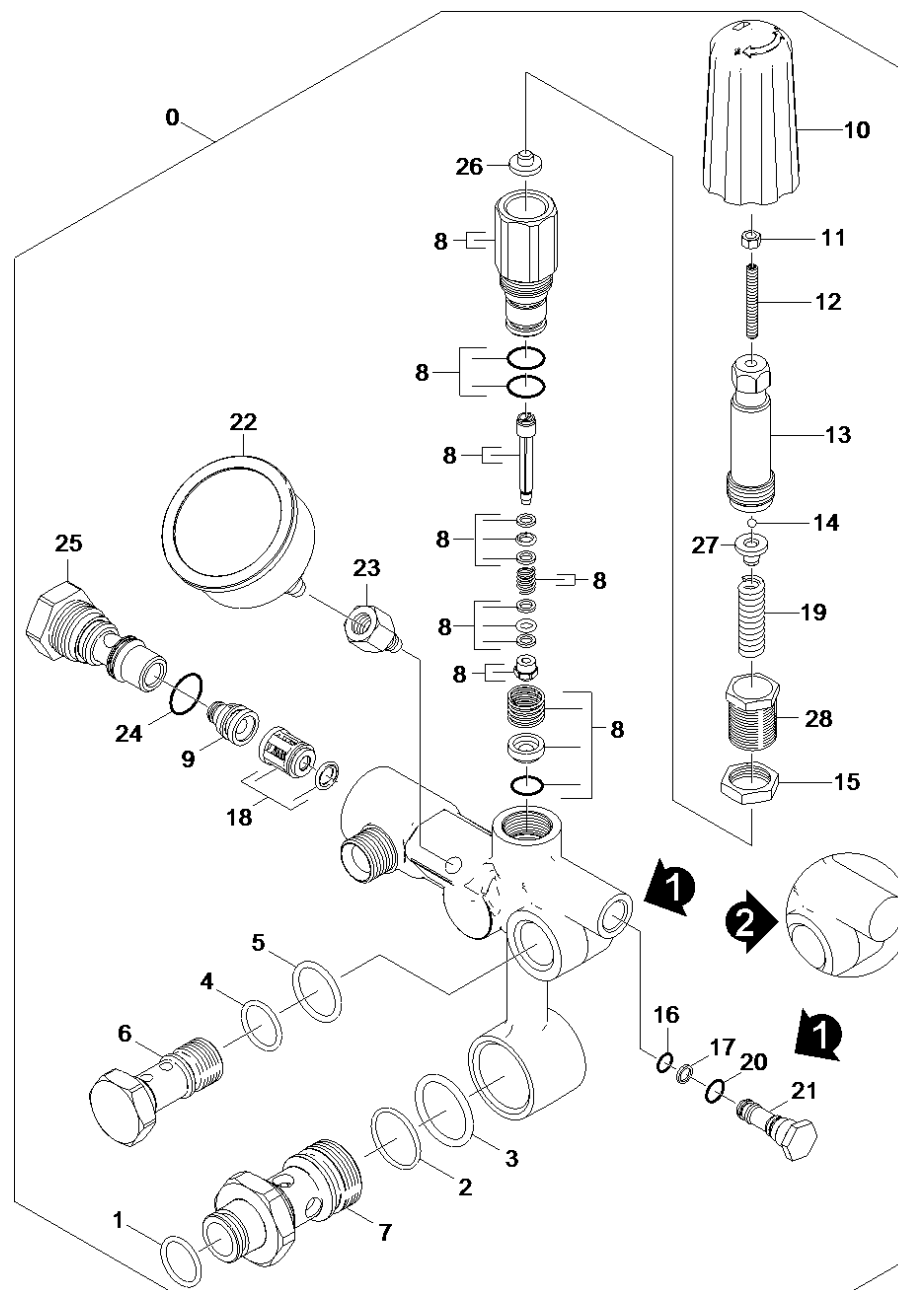
100 Spare parts set industry pump (2.885-121.0)

POS	Article no.	Description	Quantity	Unit
1	2.885-112.0	Spare part set valve	2.000	ST
2	6.365-494.0	HD set of gaskets W1	3.000	ST
3	6.365-496.0	ND set of gaskets W2	3.000	ST
4	6.362-377.0	O-Ring seal 38,0 X 2,0-NBR 70	3.000	ST
5	6.363-392.0	O-Ring seal 20,0 x 2,0 PUR 94	6.000	ST
6	6.367-032.0	Rotary shaft seal 24X 35-NBR	3.000	ST
7	6.362-887.0	O-Ring seal 65,0 X 2,5	2.000	ST
8	6.367-099.0	Rotary shaft seal 52x30	1.000	ST
9	6.363-257.0	O-Ring seal	1.000	ST
10	6.362-168.0	O-Ring seal 22,3 X 2,4-NBR 70	1.000	ST
11	6.363-319.0	O-Ring seal 21,5X3,2	1.000	ST
12	6.363-328.0	O-Ring seal 23.16x5.33	1.000	ST



100 Spare parts set industry pump (2.885-140.0)

POS	Article no.	Description	Quantity	Unit	Foot note text
1	2.885-158.0	Spare part set valve	2.000	ST	3 QTY.
2	6.365-538.0	Set of gaskets	3.000	ST	
3	6.365-539.0	Set of gaskets	3.000	ST	
4	6.362-377.0	O-Ring seal 38,0 X 2,0-NBR 70	3.000	ST	
5	6.363-513.0	O-Ring seal 14x2 PUR 94	6.000	ST	
6	6.367-032.0	Rotary shaft seal 24X 35-NBR	3.000	ST	
7	6.362-887.0	O-Ring seal 65,0 X 2,5	2.000	ST	
8	6.367-099.0	Rotary shaft seal 52x30	1.000	ST	
9	6.363-257.0	O-Ring seal	1.000	ST	
10	6.362-168.0	O-Ring seal 22,3 X 2,4-NBR 70	1.000	ST	
11	6.363-319.0	O-Ring seal 21,5X3,2	1.000	ST	
12	6.363-328.0	O-Ring seal 23.16x5.33	1.000	ST	

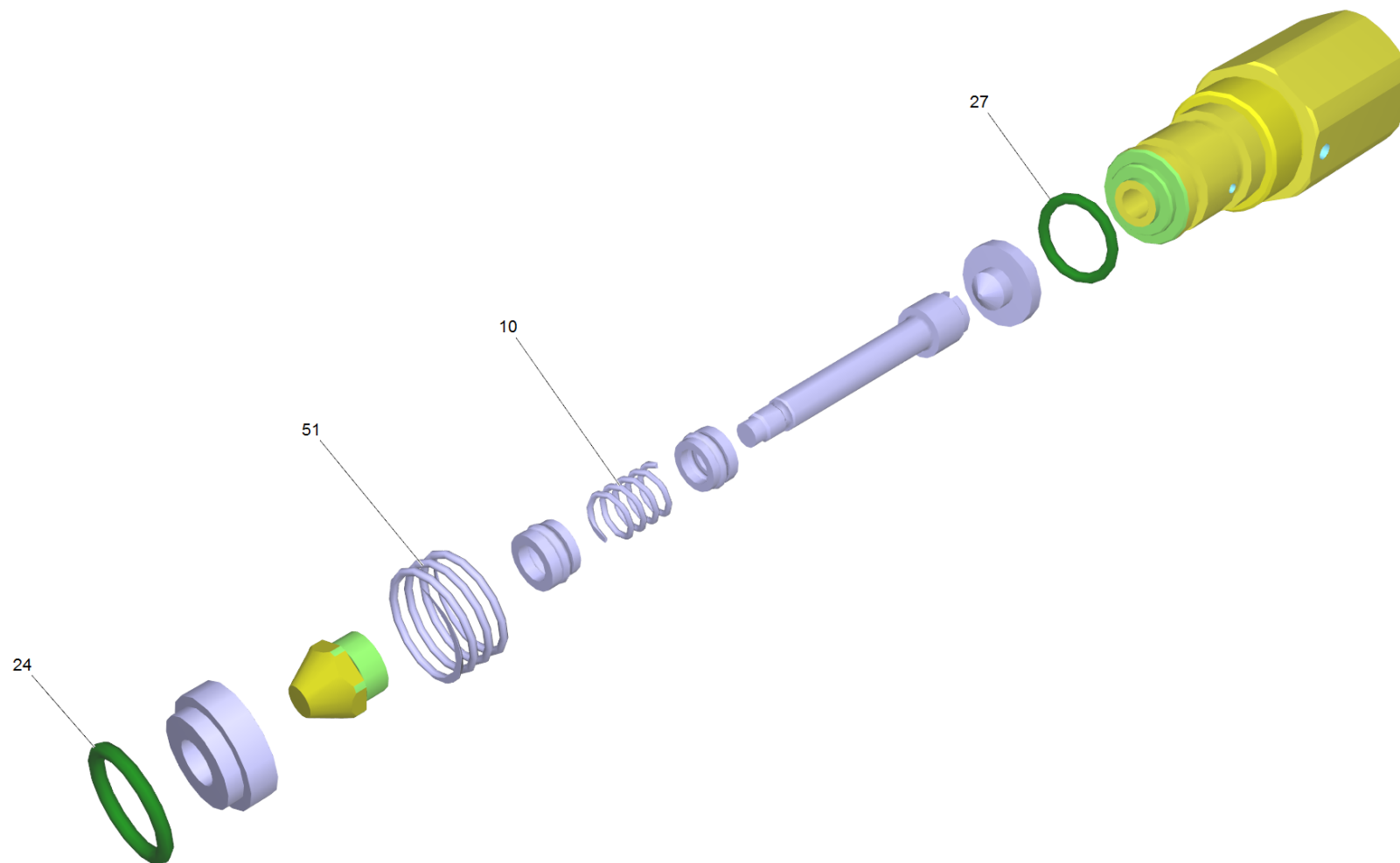


23 Excess-current

POS	Article no.	Description	Quantity	Unit
0	4.580-691.0	Excess-current complete 50 MPa VM	1.000	ST
	Item text1: 1.367-501.0			
0	4.580-692.0	Excess-current complete 35 MPa VM	1.000	ST
	Item text1: 1.367-500.0			
1	6.363-006.0	O-Ring seal 20X2,8	1.000	ST
2	6.362-511.0	O-Ring seal 31,47X 1,78	1.000	ST
3	6.363-453.0	O-Ring seal 29.75 x 3,53	1.000	ST
4	6.362-161.0	O-Ring seal 19,3 X 2,4	1.000	ST
5	6.362-579.0	O-Ring seal 17,5 X 3,5	1.000	ST
6	5.304-102.0	Hollow screw	1.000	ST
7	5.304-096.0	Hollow screw intake	1.000	ST
8	2.885-113.0	Spare parts set excess-current only for	1.000	ST
9	5.769-201.0	Control injector	1.000	ST
10	5.321-579.0	Handle	1.000	ST
11	7.311-002.0	Hexagon nut M5 -8-A2E ISO 4032	1.000	ST
12	7.307-017.0	Threaded pin M5x40 -St-45H-A2E ISO 4026	1.000	ST
13	5.304-070.0	Hexagonal head screw	1.000	ST
14	7.401-921.0	Sphere 4 G20 -1.4034 DIN 5401	1.000	ST
15	5.311-204.0	Hexagon nut M22x1,5	1.000	ST
16	6.363-350.0	O-Ring seal 8.74x1.78	1.000	ST
17	5.114-535.0	Supportring	1.000	ST
18	4.580-740.0	Valve complete	1.000	ST
	Item text1: 1.367-501.0			
18	4.580-661.0	Valve complete	1.000	ST
	Item text1: 1.367-500.0			
19	5.332-988.0	Pressure spring 3,7x11,4x54,9	1.000	ST
	Item text1: 1.367-501.0			
19	5.332-935.0	Helical spring 35 MPa	1.000	ST
	Item text1: 1.367-500.0			
20	6.363-512.0	O-Ring seal 10,82x1,78	1.000	ST
21	5.411-508.0	Screw plug	1.000	ST
22	6.421-326.0	Pressure gauge 0-80 MPa	1.000	ST
23	5.401-313.0	Screw connector part	1.000	ST

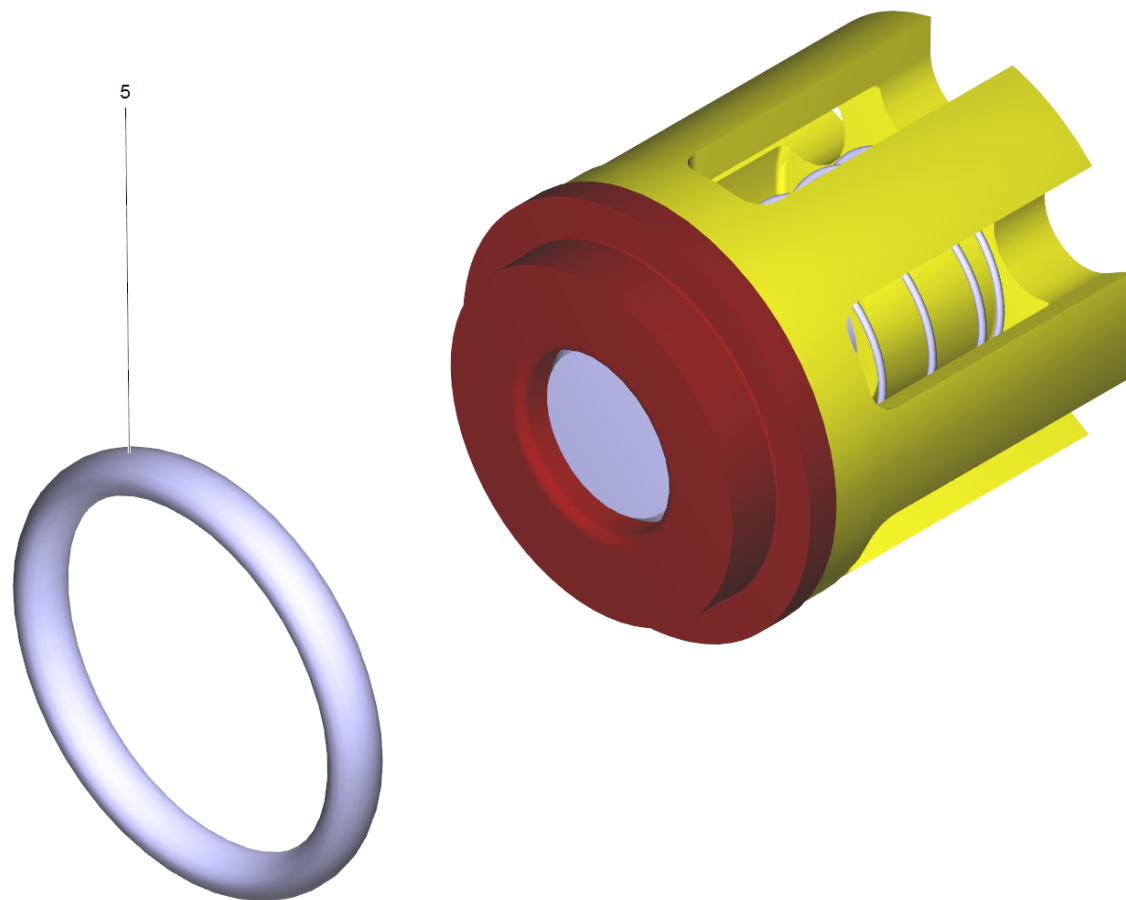
23 Excess-current

POS	Article no.	Description	Quantity	Unit
24	6.363-420.0	O-Ring seal 18,72 x 2,62 PUR 94	1.000	ST
25	5.402-731.0	Screw union	1.000	ST
26	5.584-145.0	Valve pin excess-current	1.000	ST
27	5.582-142.0	Bush	1.000	ST
28	5.404-082.0	Hollow screw	1.000	ST



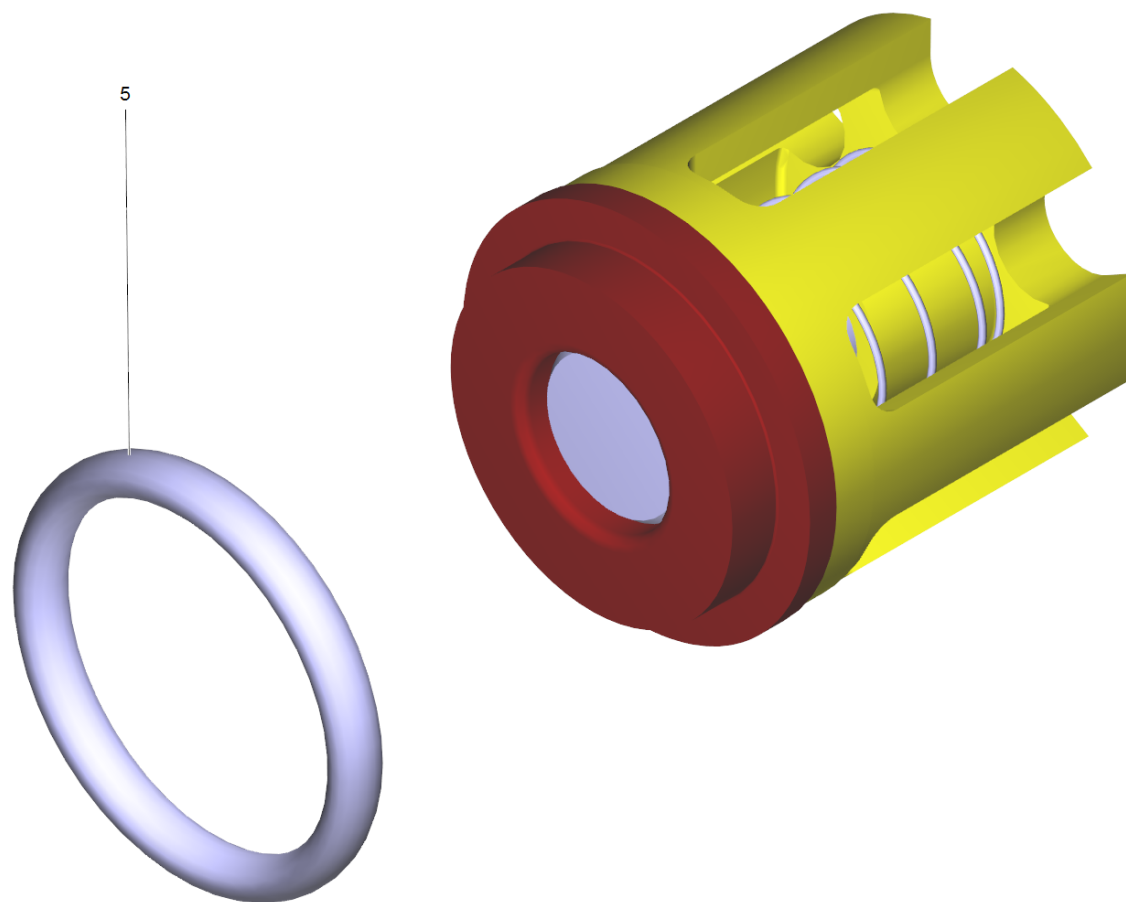
8 Spare parts set excess-current only for (2.885-113.0)

POS	Article no.	Description	Quantity	Unit
10	5.332-999.0	Helical spring	1.000	ST
24	6.363-372.0	O-Ring seal 13x2 PUR 94	1.000	ST
27	6.363-366.0	O-Ring seal 15,54 x 2,62 PUR 94	1.000	ST
51	5.332-557.0	Pressure spring	1.000	ST



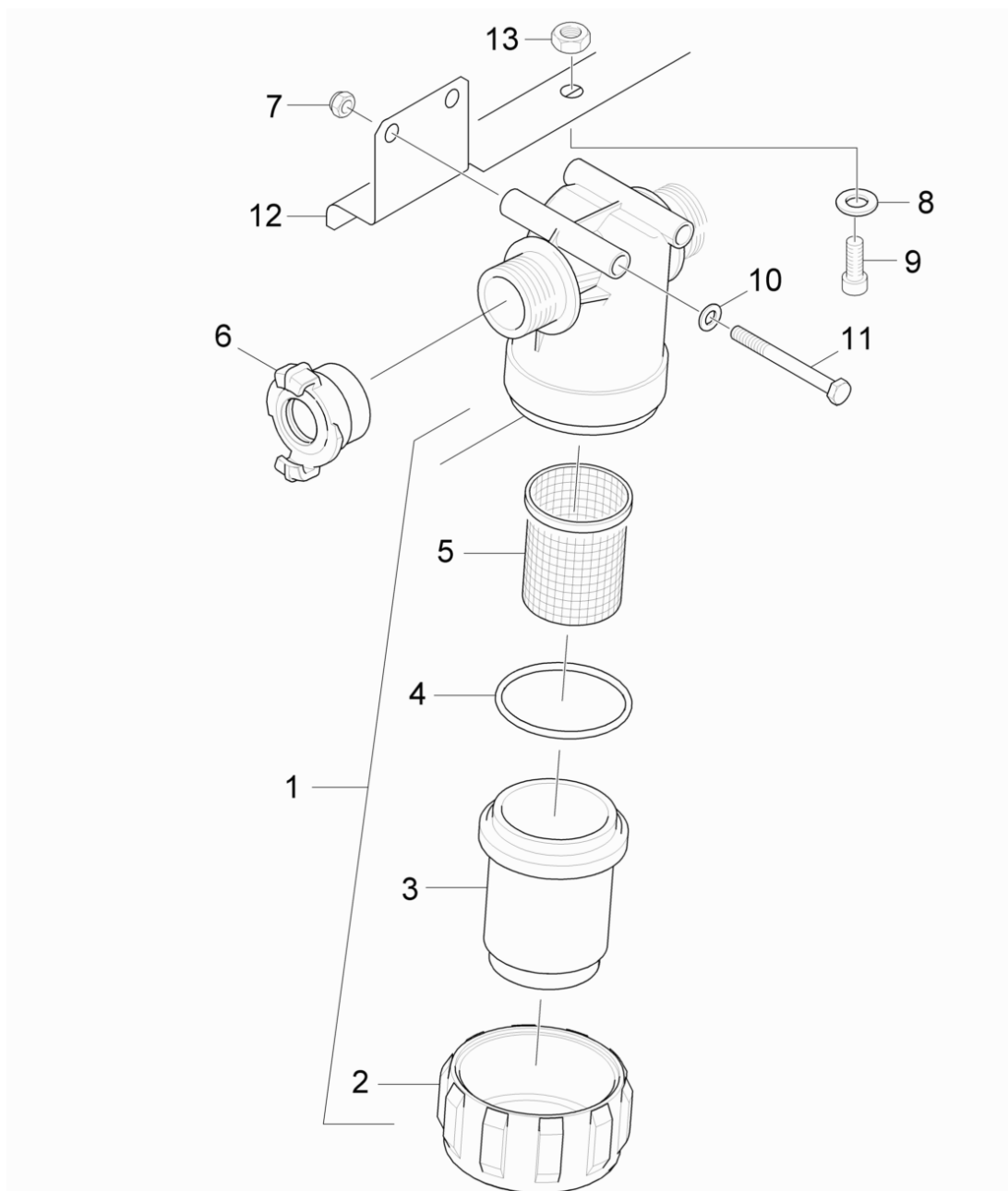
18 Valve complete (4.580-661.0)

POS	Article no.	Description	Quantity	Unit
5	6.363-372.0	O-Ring seal 13x2 PUR 94	1.000	ST



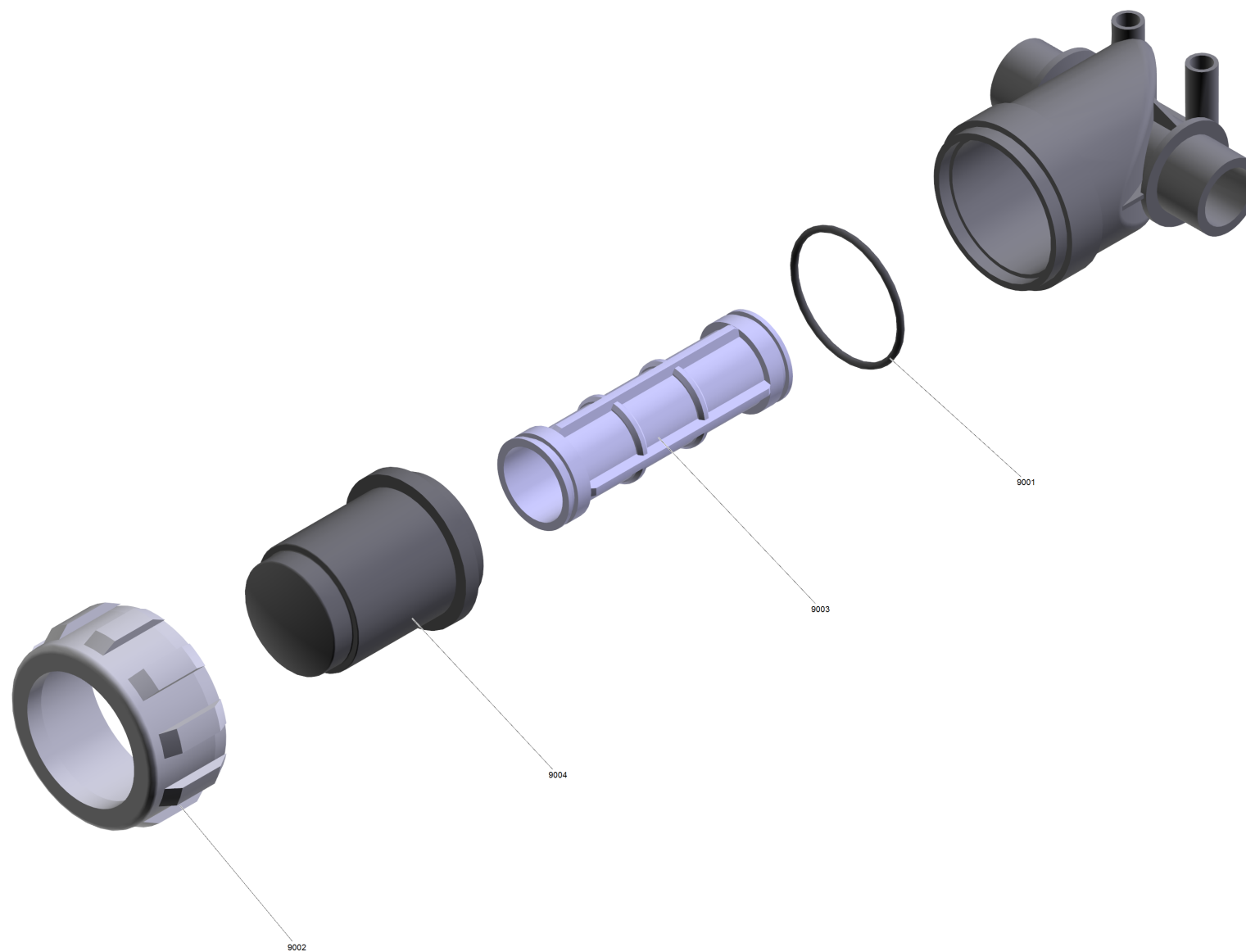
18 Valve complete (4.580-740.0)

POS	Article no.	Description	Quantity	Unit
5	6.363-372.0	O-Ring seal 13x2 PUR 94	1.000	ST



24 Water filter

POS	Article no.	Description	Quantity	Unit
1	6.415-960.0	Water filter complete	1.000	ST
2	6.385-881.0	Union nut	1.000	ST
3	6.414-688.0	Filter cup	1.000	ST
4	6.363-166.0	O-Ring seal	1.000	ST
5	6.414-666.0	Filter cartridge only for replacement	1.000	ST
6	6.388-458.0	Hose coupling	1.000	ST
7	7.311-432.0	Hexagon nut M 8-1.4305 DIN 985	2.000	ST
8	7.312-066.0	Washer 10 -A2 ISO 7090	4.000	ST
9	7.306-234.0	Cylinder head screw M10x20-A4-70 ISO 47	2.000	ST
10	7.312-017.0	Washer 8-A2 ISO 7089	2.000	ST
11	7.304-068.0	Hexagonal head screw M8x80-A2-70 ISO 40	2.000	ST
12	5.050-536.0	Sheet metal component water filter	1.000	ST
13	7.311-441.0	Hexagon nut M10-1.4305 DIN 985	2.000	ST

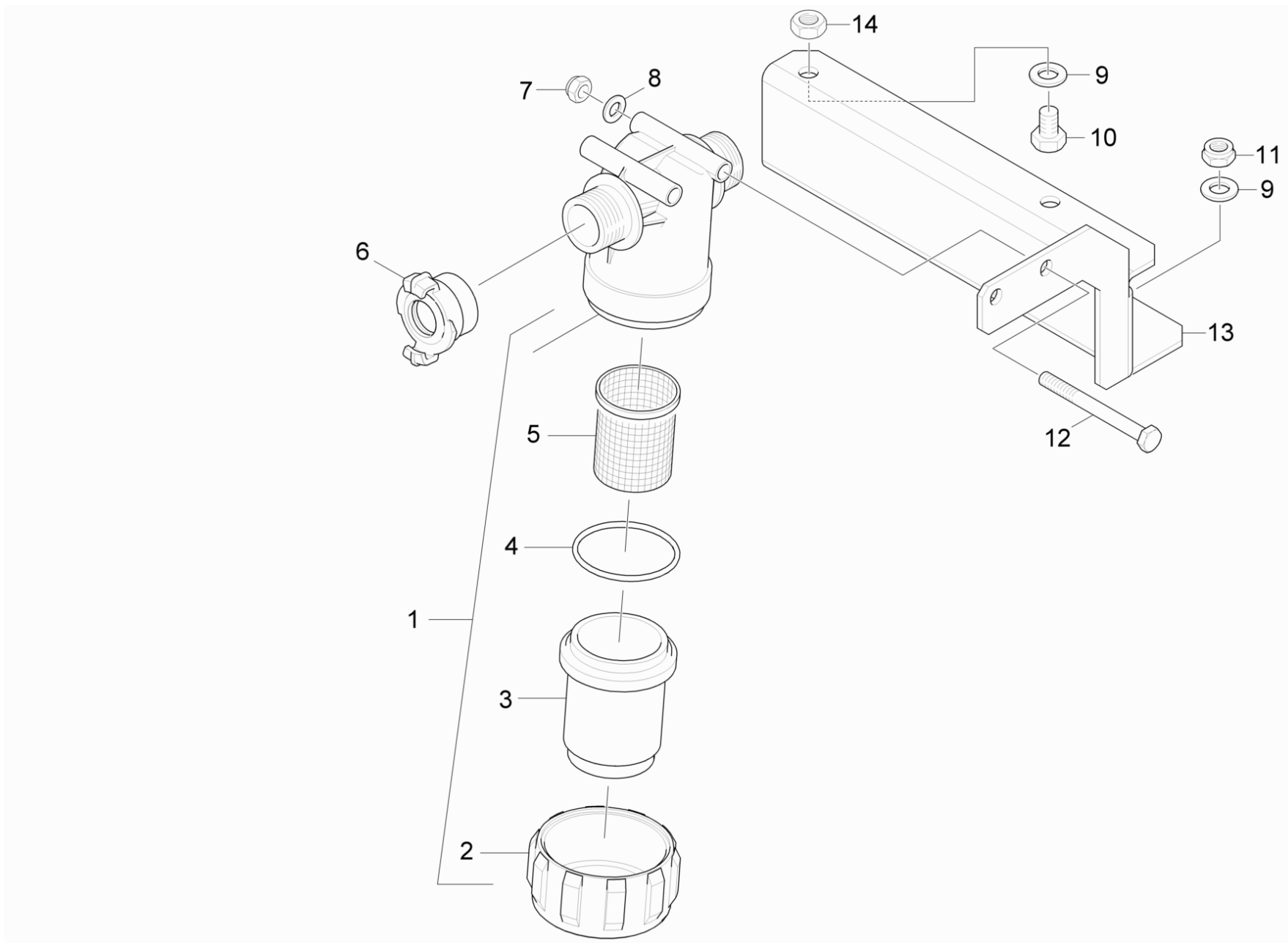


1 Water filter complete (6.415-960.0)

POS	Article no.	Description	Quantity	Unit
9001	6.363-166.0	O-Ring seal	1.000	ST
9002	6.385-881.0	Union nut	1.000	ST
9003	6.414-666.0	Filter cartridge only for replacement	1.000	ST
9004	6.414-688.0	Filter cup	1.000	ST

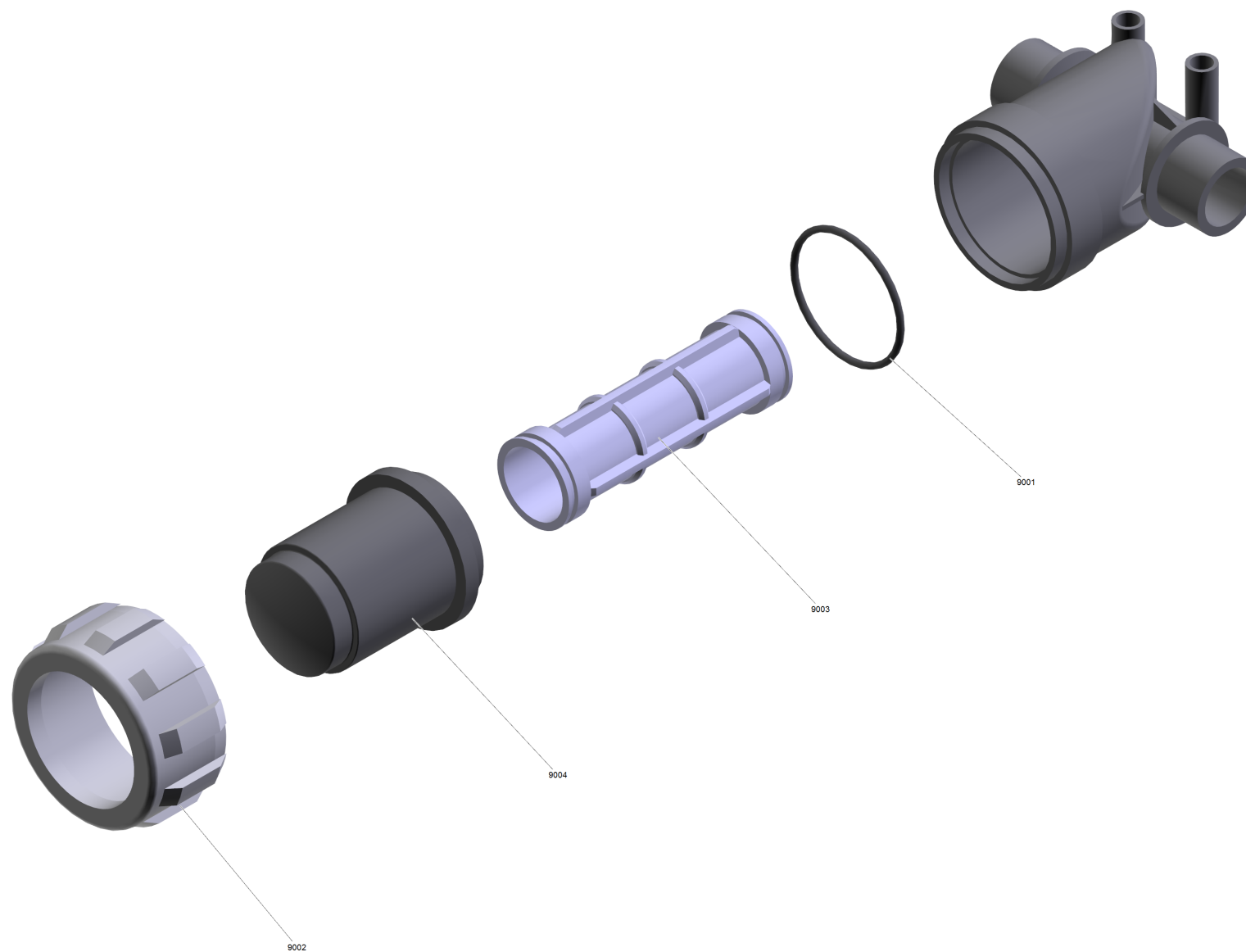
10 Washer 8-A2 ISO 7089 (7.312-017.0)

POS	Article no.	Description	Quantity	Unit
10	5.332-554.0	Pressure spring	1.000	ST
20	6.321-240.0	Star grip with inscription VA Ø50x43	1.000	ST
30	7.306-294.0	Screw M10x50 10.9-ZNSHL ISO 4762	1.000	ST
40	7.311-382.0	Cap nut M10-6-A3E DIN 1587	1.000	ST
50	6.996-526.0	Serrated locking washer d.10	1.000	ST



25 Water filter

POS	Article no.	Description	Quantity	Unit
1	6.415-960.0	Water filter complete	1.000	ST
2	6.385-881.0	Union nut	1.000	ST
3	6.414-688.0	Filter cup	1.000	ST
4	6.363-166.0	O-Ring seal	1.000	ST
5	6.414-666.0	Filter cartridge only for replacement	1.000	ST
6	6.388-458.0	Hose coupling	1.000	ST
7	7.311-432.0	Hexagon nut M 8-1.4305 DIN 985	2.000	ST
8	7.312-017.0	Washer 8-A2 ISO 7089	2.000	ST
9	7.312-066.0	Washer 10 -A2 ISO 7090	4.000	ST
10	7.304-414.0	Hexagonal head screw M10x20-8.8-A3E ISO	2.000	ST
11	7.311-441.0	Hexagon nut M10-1.4305 DIN 985	2.000	ST
12	7.304-068.0	Hexagonal head screw M8x80-A2-70 ISO 40	2.000	ST
13	5.051-317.0	Sheet metal component holder	1.000	ST
14	7.311-441.0	Hexagon nut M10-1.4305 DIN 985	2.000	ST

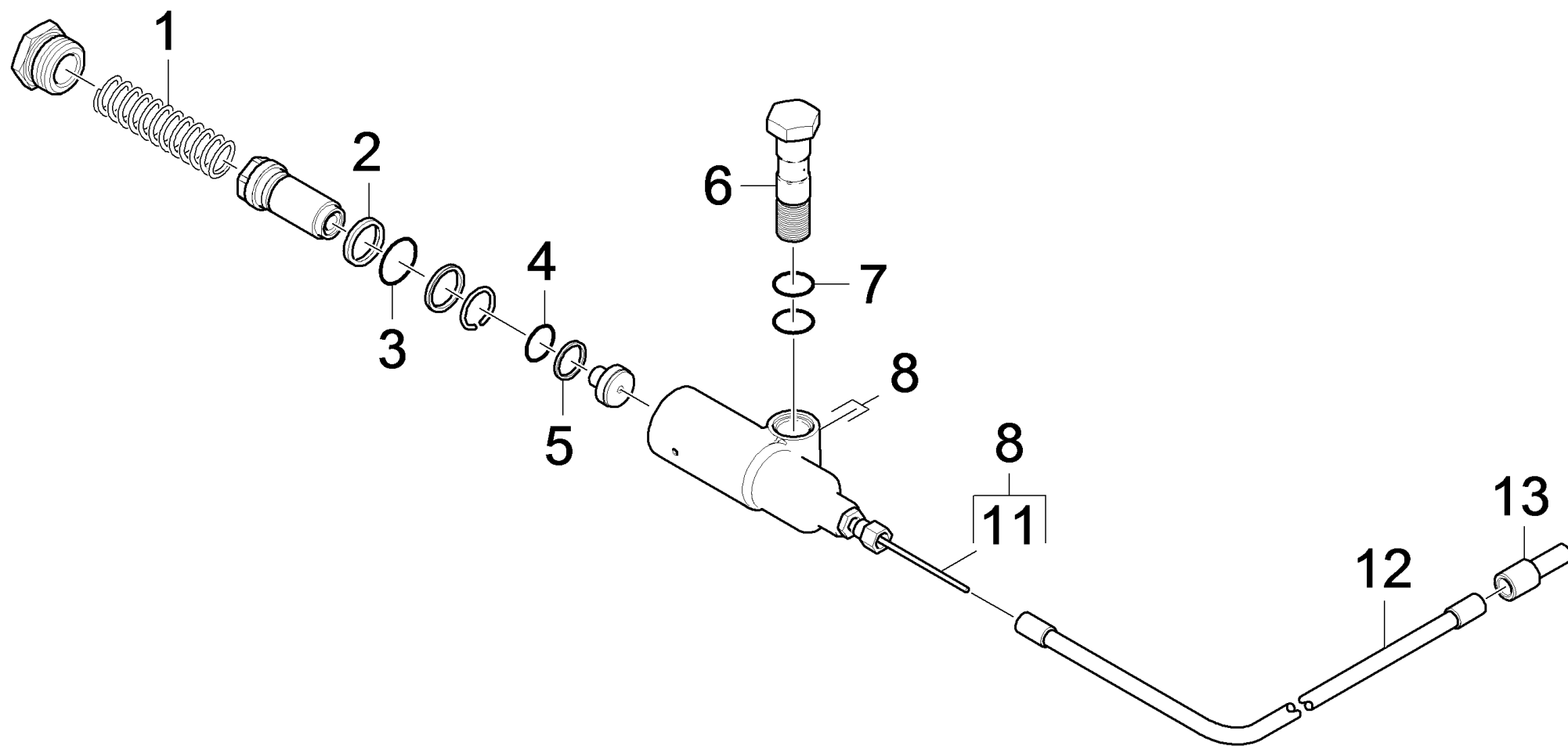


1 Water filter complete (6.415-960.0)

POS	Article no.	Description	Quantity	Unit
9001	6.363-166.0	O-Ring seal	1.000	ST
9002	6.385-881.0	Union nut	1.000	ST
9003	6.414-666.0	Filter cartridge only for replacement	1.000	ST
9004	6.414-688.0	Filter cup	1.000	ST

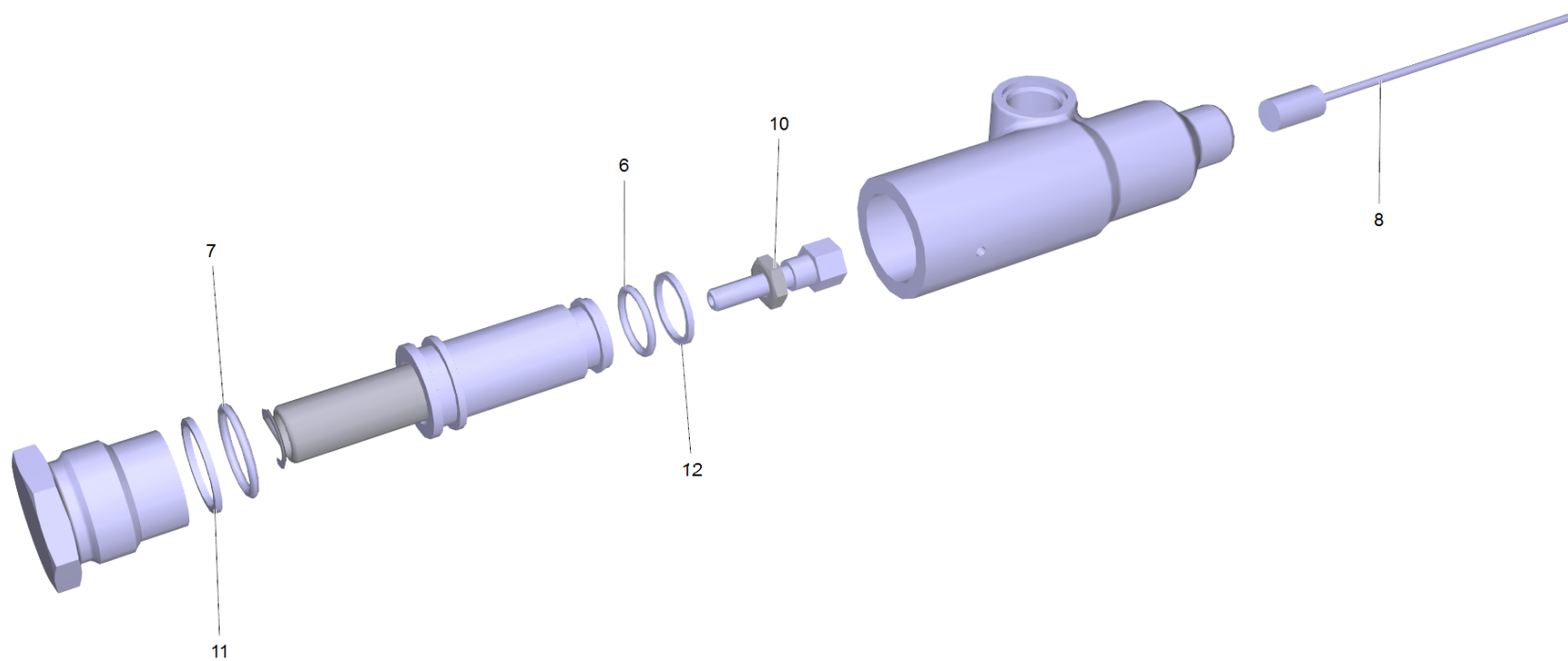
8 Washer 8-A2 ISO 7089 (7.312-017.0)

POS	Article no.	Description	Quantity	Unit
10	5.332-554.0	Pressure spring	1.000	ST
20	6.321-240.0	Star grip with inscription VA Ø50x43	1.000	ST
30	7.306-294.0	Screw M10x50 10.9-ZNSHL ISO 4762	1.000	ST
40	7.311-382.0	Cap nut M10-6-A3E DIN 1587	1.000	ST
50	6.996-526.0	Serrated locking washer d.10	1.000	ST



26 Rotation regulator

POS	Article no.	Description	Quantity	Unit
1	5.332-232.0	Helical spring	1.000	ST
2	6.363-503.0	Supportring 19,5x16,5x1,4	1.000	ST
3	6.363-480.0	O-Ring seal 15,6x1,78	1.000	ST
4	6.363-479.0	O-Ring seal 12,42 x 1,78	1.000	ST
5	6.363-504.0	Supportring 16x13x1,4	1.000	ST
6	5.404-088.0	Hollow screw	1.000	ST
7	6.362-527.0	O-Ring seal 12,0 X 1,5-NBR 70	2.000	ST
8	4.741-022.0	Speed control HD Cage PE	1.000	ST
11	6.431-287.0	Strand 535mm	1.000	ST
12	6.431-057.0	Tackle	1.000	ST
	Item text1: 1.367-505.0/-506.0			
12	6.431-288.0	Tackle 385mm	1.000	ST
	Item text1: 1.367-500.0/-501.0			
13	5.111-289.0	Sleeve	1.000	ST

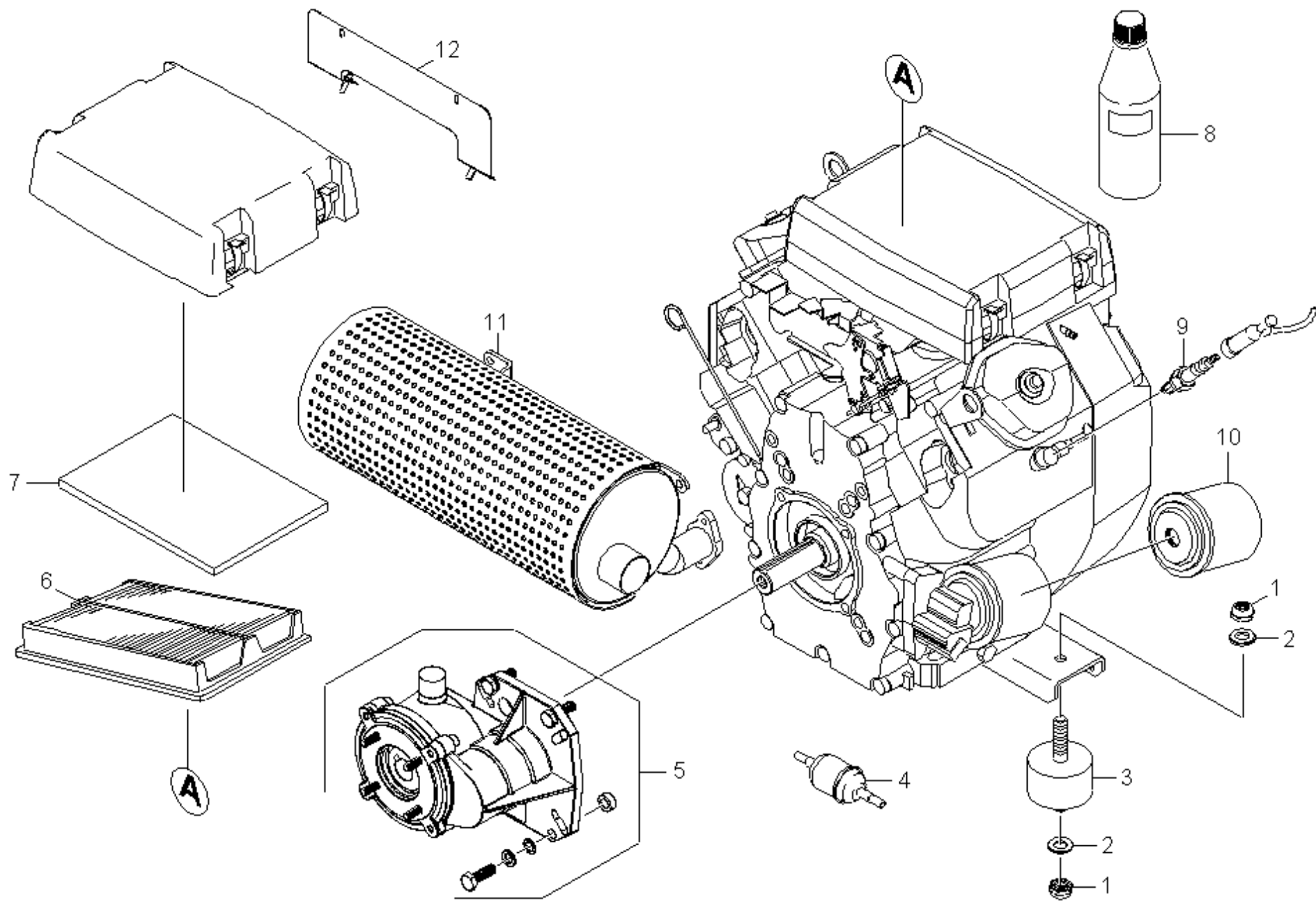


8 Speed control HD Cage PE (4.741-022.0)

POS	Article no.	Description	Quantity	Unit
2	5.332-232.0	Helical spring	1.000	ST
6	6.363-479.0	O-Ring seal 12,42 x 1,78	1.000	ST
7	6.363-480.0	O-Ring seal 15,6x1,78	1.000	ST
8	6.431-075.0	Strand with nipple 580MM	1.000	ST
10	6.431-054.0	Adjusting screw	1.000	ST
11	6.363-503.0	Supportring 19,5x16,5x1,4	1.000	ST
12	6.363-504.0	Supportring 16x13x1,4	1.000	ST

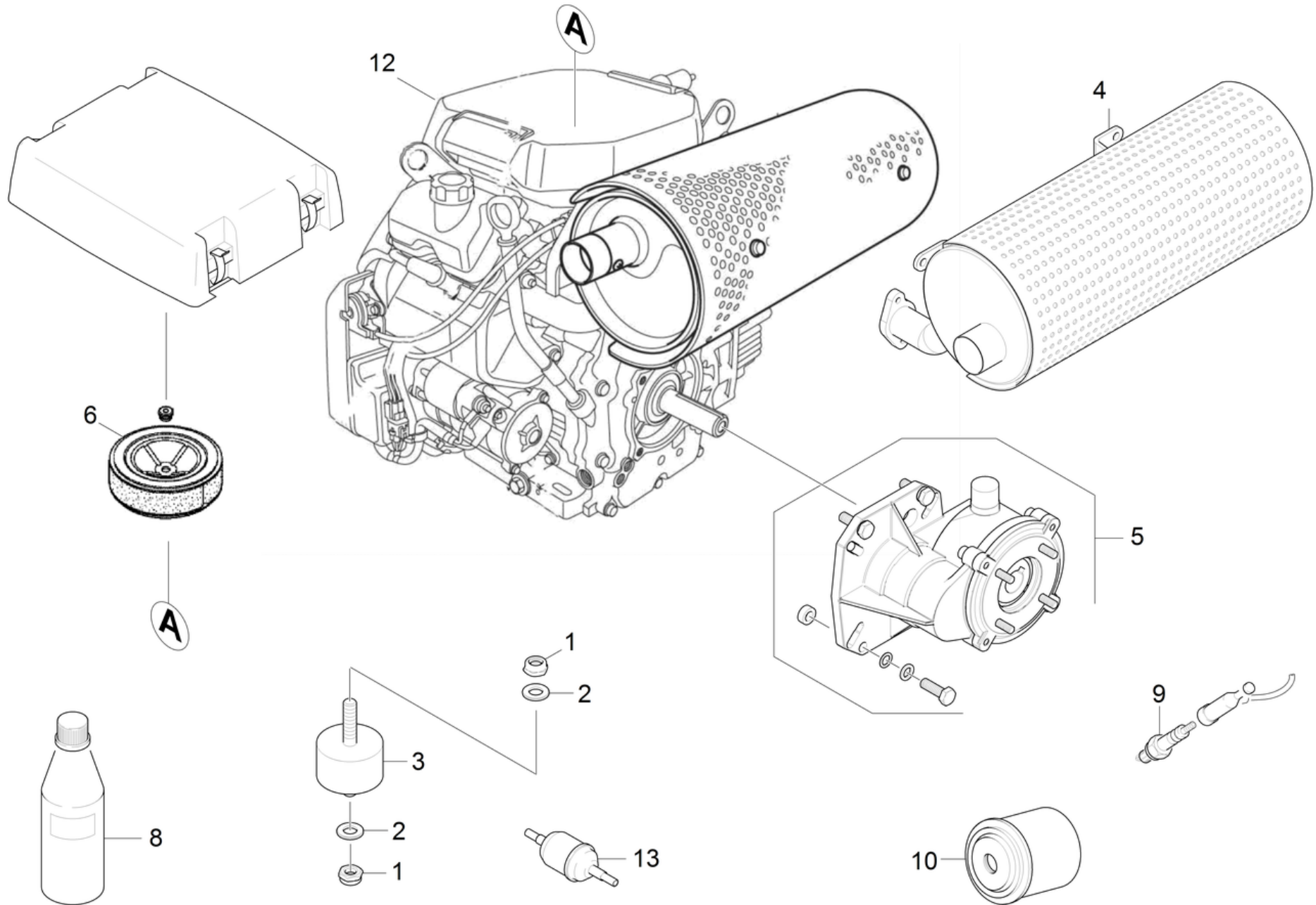
30 Motor

POS	Description	Quantity	Unit	Remark
31	Motor	1.000	ST	VERSION 1 (Honda GX670U-TX-F5)
32	Motor	1.000	ST	VERSION 2 (Honda GX 660-X-F5-OH)



31 Motor

POS	Article no.	Description	Quantity	Unit	Remark
1	7.311-441.0	Hexagon nut M10-1.4305 DIN 985	10.000	ST	
2	7.312-066.0	Washer 10 -A2 ISO 7090	10.000	ST	
3	6.339-150.0	Rubber buffer	4.000	ST	
4	6.414-937.0	Strainer for gasoline Nur fuer Ersatz	1.000	ST	
5	4.626-001.0	Gear complete only for replacement	1.000	ST	
6	6.491-869.0	Air filter insert complete	1.000	ST	
7	6.491-936.0	Filter external	1.000	ST	
8	6.288-050.0	Engine oil 1L	2.000	ST	1,9 L
9	6.491-868.0	Ignition plug	2.000	ST	
10	6.414-938.0	Filter for oil Nur fuer Ersatz	1.000	ST	
11	6.286-554.0	Exhaust box	1.000	ST	
12	6.376-850.0	Heat shield	1.000	ST	

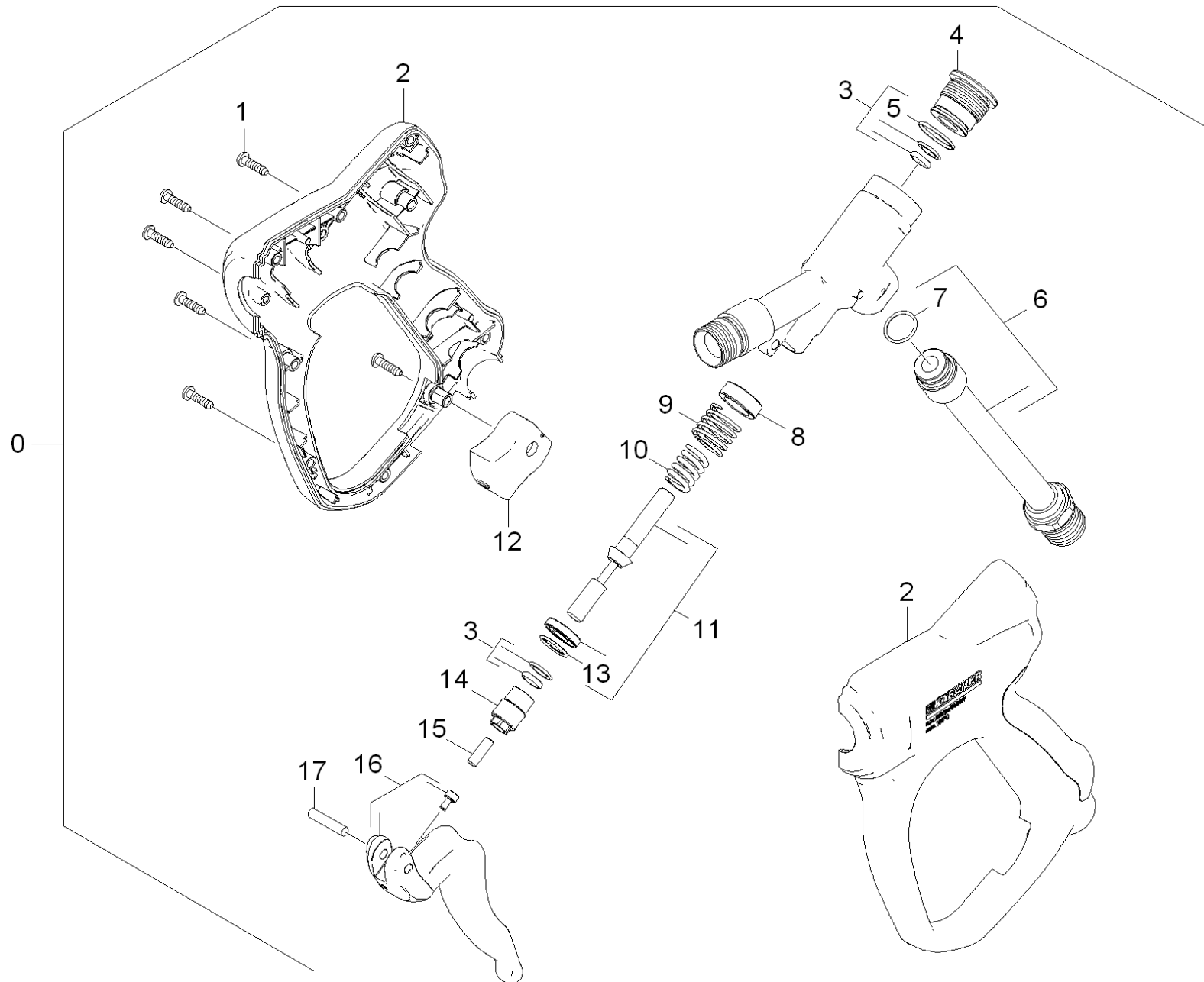


32 Motor

POS	Article no.	Description	Quantity	Unit	Remark	Foot note text
1	7.311-441.0	Hexagon nut M10-1.4305 DIN 985	10.000	ST		
2	7.312-066.0	Washer 10 -A2 ISO 7090	10.000	ST		
3	6.339-150.0	Rubber buffer	4.000	ST		
4	6.286-041.0	Exhaust box	1.000	ST		
5	4.626-001.0	Gear complete only for replacement	1.000	ST		
6	6.491-965.0	Air filter insert	1.000	ST		
8	6.288-050.0	Engine oil 1L	2.000	ST	1,9 L	
9	6.491-964.0	Ignition plug	2.000	ST		
10	6.414-968.0	Oil filter	1.000	ST		
12	6.491-953.0	Gasoline engine HD Cage Industrial	1.000	ST		"WITHOUT POS.4"
13	6.414-967.0	Filter gasoline complete	1.000	ST		

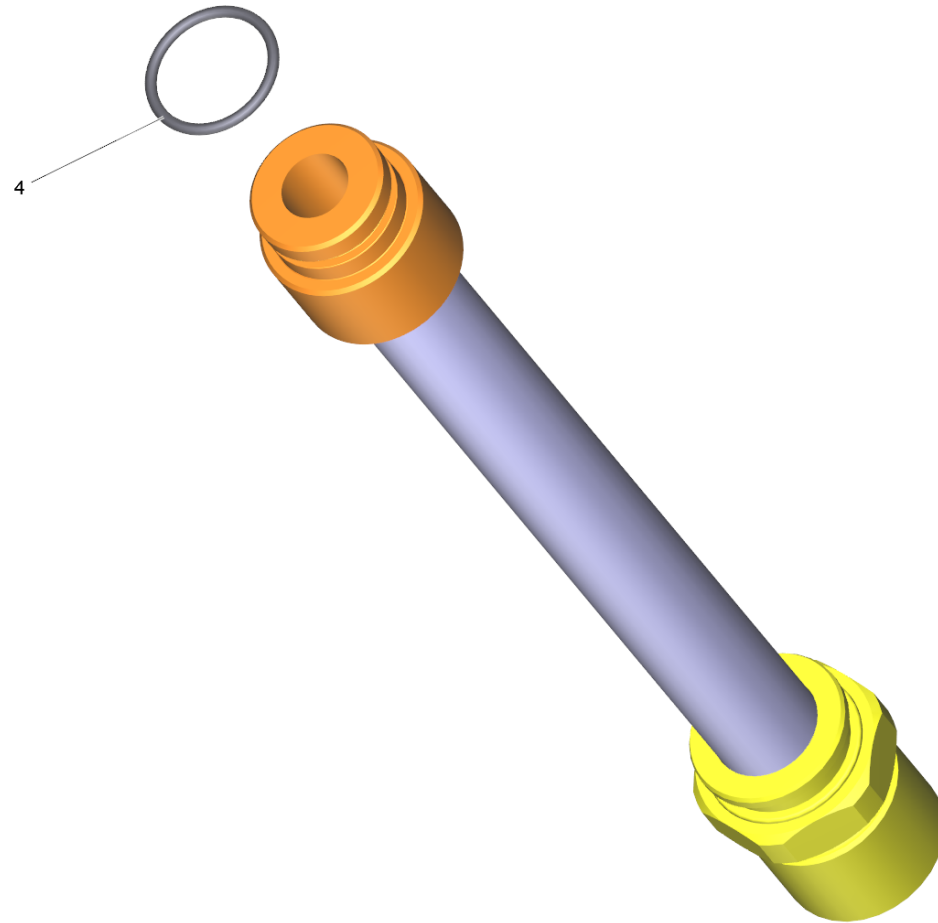
40 Accessories

POS	Description	Quantity	Unit	Remark
41	Hand trigger gun	1.000	ST	VERSION 1
42	Hand trigger gun	1.000	ST	VERSION 2
43	High pressure hose	1.000	ST	
44	Jet pipe	1.000	ST	



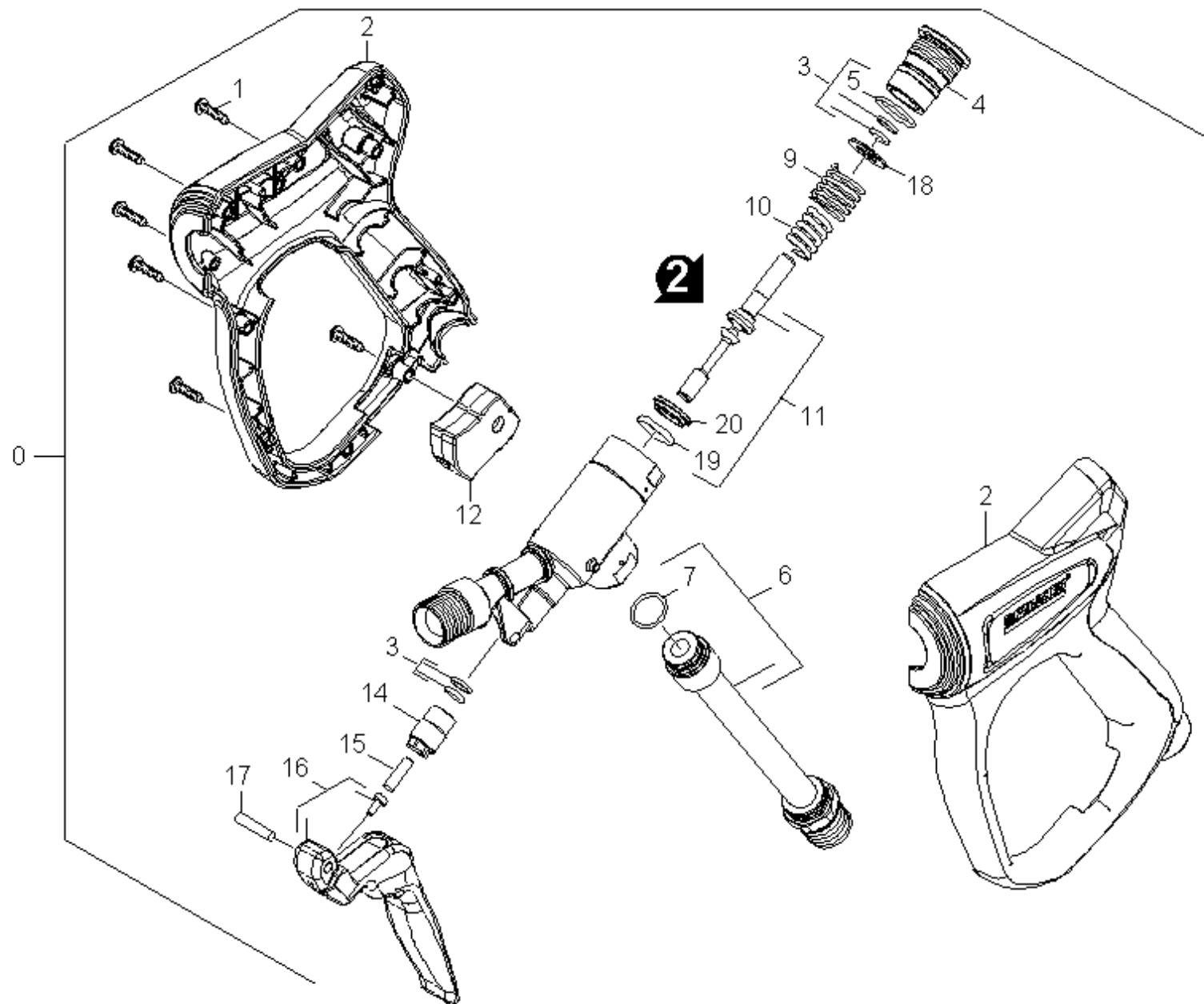
41 Hand trigger gun

POS	Article no.	Description	Quantity	Unit	Foot note text
0	7.777-999.0	Stockpiling discontinued	1.000	ST	ORDER VERSION 2
1	7.303-129.0	Screw 4x16 -10.9-R2R (K-In6Rd)	8.000	ST	
2	5.321-933.0	Handhold few 65 Mpa 3000l/h	1.000	ST	
3	2.885-135.0	Spare part set seal	1.000	ST	
4	5.411-522.0	Screw plug	1.000	ST	
5	6.362-397.0	O-Ring seal 18,0 X 1,5-NBR 70	1.000	ST	
6	2.885-216.0	Spare part set adapter 65MPa	1.000	ST	
7	6.363-608.0	O-Ring seal 15x1,5 NBR 90	1.000	ST	
8	5.111-171.0	Sleeve	1.000	ST	
9	5.332-989.0	Helical spring	1.000	ST	
10	5.332-977.0	Spring	1.000	ST	
11	2.885-134.0	Spare part set piston	1.000	ST	
12	5.424-145.0	Trigger safety latch yellow	1.000	ST	
13	6.362-533.0	O-Ring seal 14,0 X 1,5-NBR 70	1.000	ST	
14	5.401-315.0	Screw connector	1.000	ST	
15	5.317-309.0	Pin	1.000	ST	
16	2.885-136.0	Spare part set lever yellow	1.000	ST	
17	7.314-042.0	Straight pin 5m6x26 - A1 ISO 2338	1.000	ST	



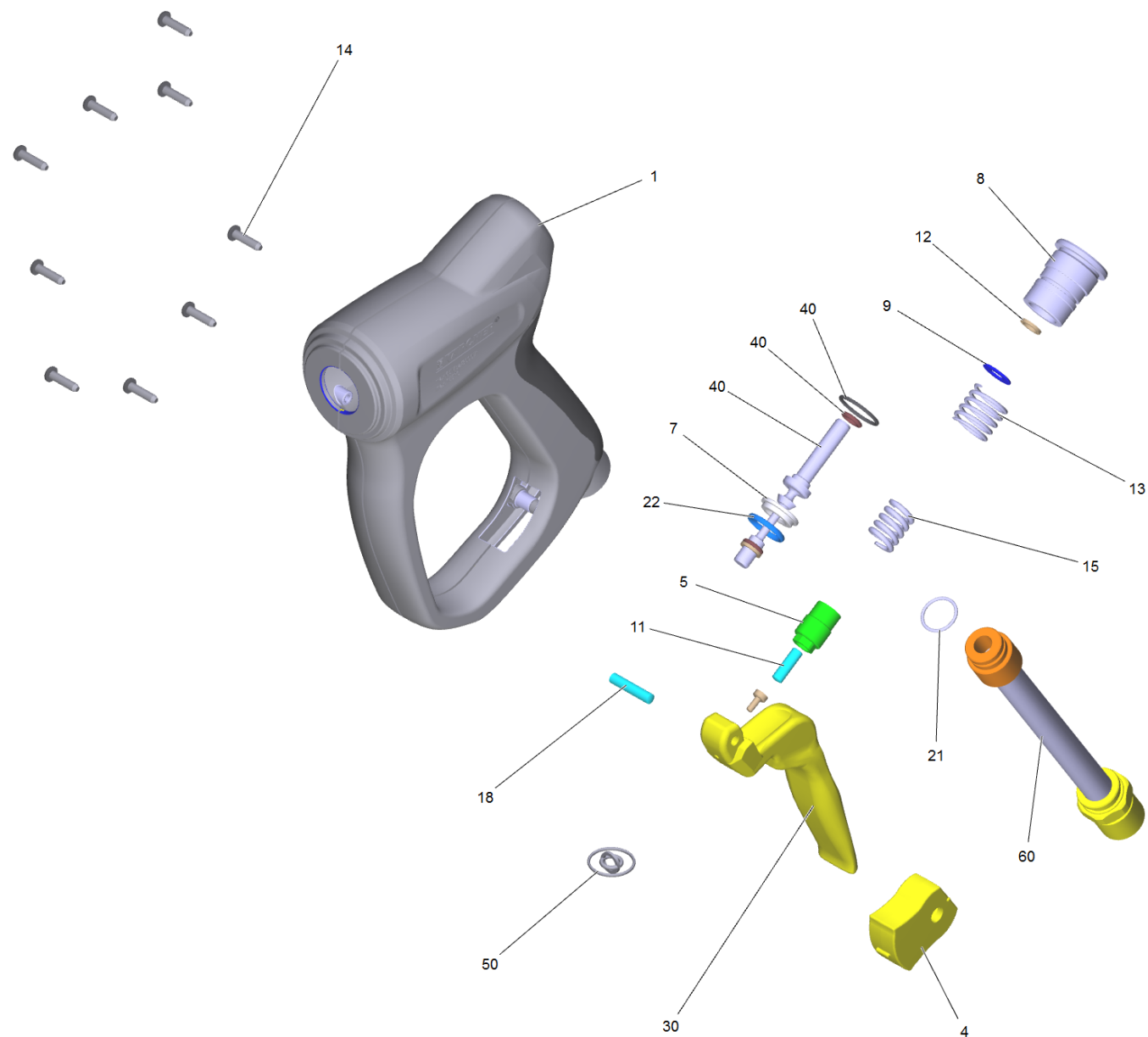
6 Spare part set adapter 65MPa (2.885-216.0)

POS	Article no.	Description	Quantity	Unit
4	6.363-608.0	O-Ring seal 15x1,5 NBR 90	1.000	ST



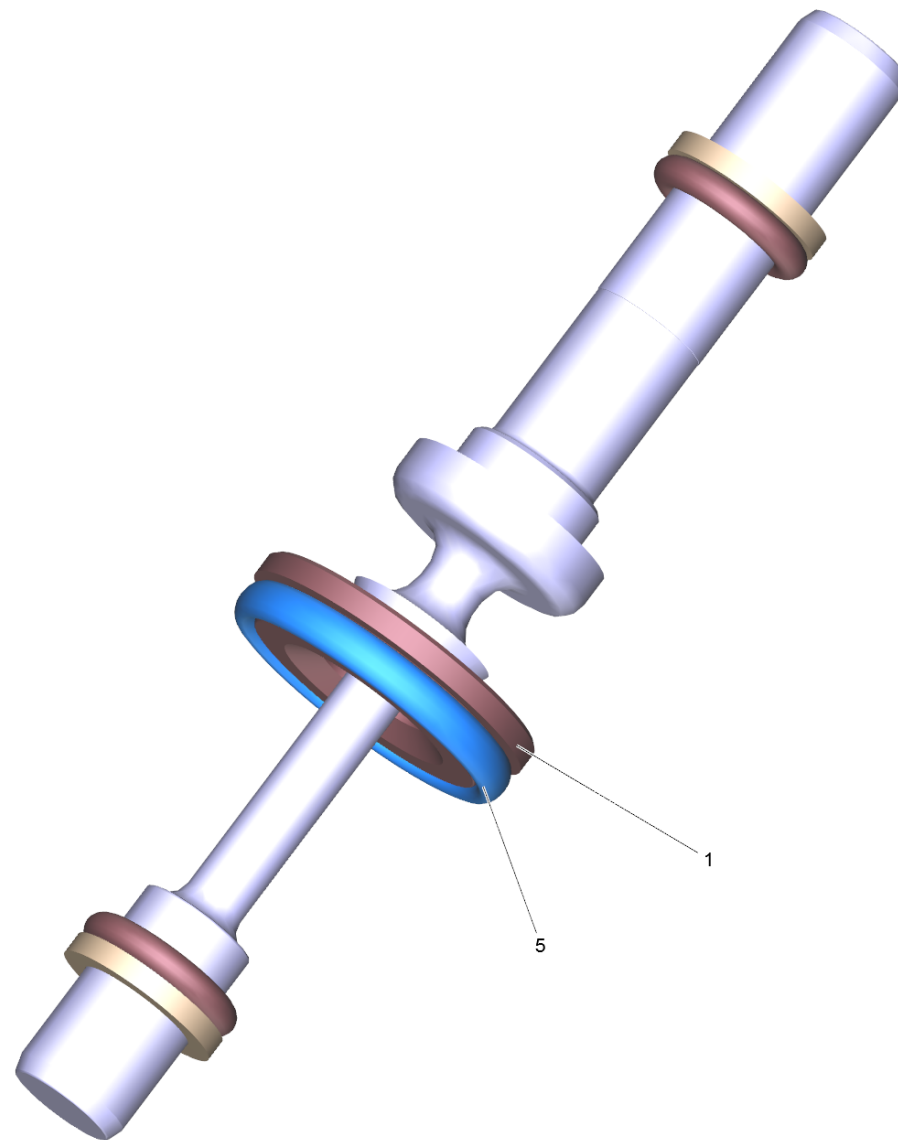
42 Hand trigger gun

POS	Article no.	Description	Quantity	Unit
0	4.775-824.0	Hand trigger gun only for replacement	1.000	ST
1	7.303-129.0	Screw 4x16 -10.9-R2R (K-In6Rd)	9.000	ST
2	5.322-044.0	Handhold few 65MPa 3000l/h	1.000	ST
3	2.885-215.0	Spare part set seal 65MPa	1.000	ST
4	5.411-529.0	Screw plug 65MPa	1.000	ST
5	6.362-062.0	O-Ring seal 18 x 1,5 - FKM 80	1.000	ST
6	2.885-216.0	Spare part set adapter 65MPa	1.000	ST
7	6.363-608.0	O-Ring seal 15x1,5 NBR 90	1.000	ST
9	5.332-046.0	Helical spring	1.000	ST
10	5.332-977.0	Spring	1.000	ST
11	2.885-214.0	Spare part set piston 65MPa	1.000	ST
12	5.424-145.0	Trigger safety latch yellow	1.000	ST
14	5.401-330.0	Screw connector 65MPa	1.000	ST
15	5.317-403.0	Pin	1.000	ST
16	2.885-212.0	Spare part set lever yellow	1.000	ST
17	7.314-042.0	Straight pin 5m6x26 - A1 ISO 2338	1.000	ST
18	5.114-572.0	Supportring 65MPa	1.000	ST
19	6.362-174.0	O-Ring seal 16,0 X 2,0-NBR 70	1.000	ST
20	5.363-768.0	Sealing insert 65MPa	1.000	ST



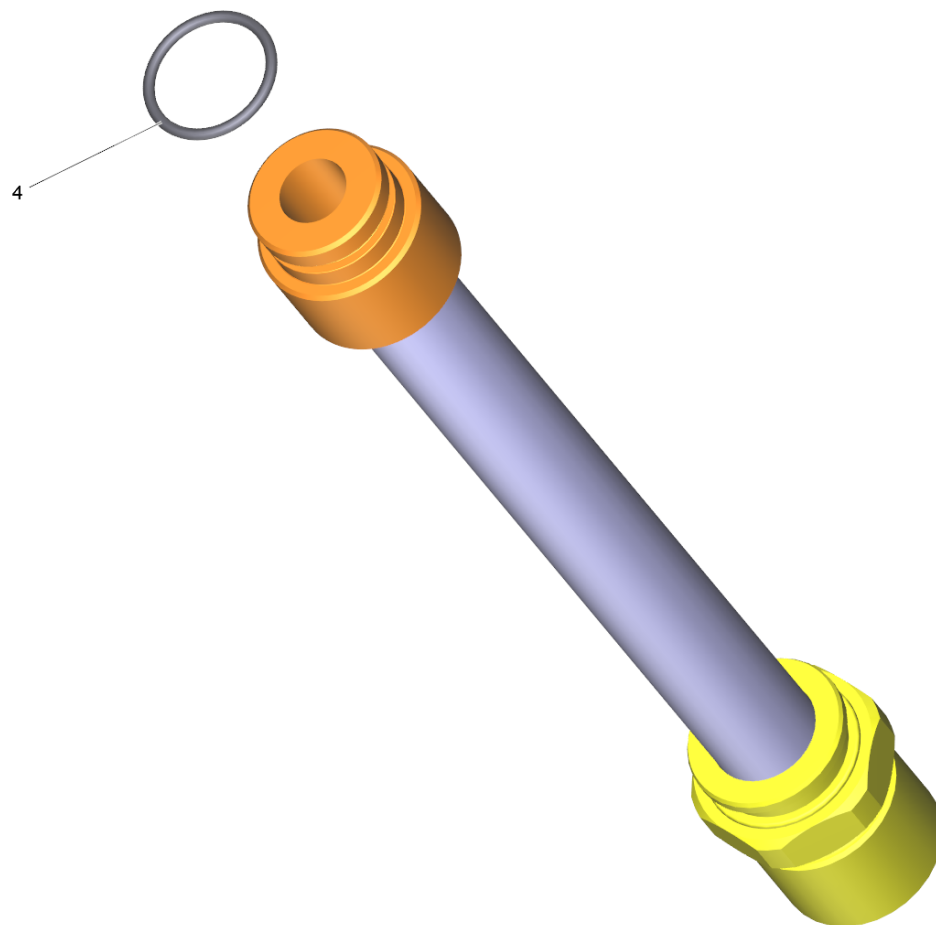
Hand trigger gun only for replacement (4.775-824.0)

POS	Article no.	Description	Quantity	Unit
1	5.322-044.0	Handhold few 65MPa 3000l/h	1.000	ST
4	5.424-145.0	Trigger safety latch yellow	1.000	ST
5	5.401-330.0	Screw connector 65MPa	1.000	ST
7	5.363-768.0	Sealing insert 65MPa	1.000	ST
8	5.411-529.0	Screw plug 65MPa	1.000	ST
9	5.114-572.0	Supportring 65MPa	1.000	ST
11	5.317-403.0	Pin	1.000	ST
12	5.114-573.0	Supportring	2.000	ST
13	5.332-046.0	Helical spring	1.000	ST
14	7.303-129.0	Screw 4x16 -10.9-R2R (K-In6Rd)	9.000	ST
15	5.332-977.0	Spring	1.000	ST
18	7.314-042.0	Straight pin 5m6x26 - A1 ISO 2338	1.000	ST
21	6.363-608.0	O-Ring seal 15x1,5 NBR 90	1.000	ST
22	6.362-174.0	O-Ring seal 16,0 X 2,0-NBR 70	1.000	ST
30	2.885-212.0	Spare part set lever yellow	1.000	ST
40	2.885-214.0	Spare part set piston 65MPa	1.000	ST
50	2.885-215.0	Spare part set seal 65MPa	1.000	ST
60	2.885-216.0	Spare part set adapter 65MPa	1.000	ST



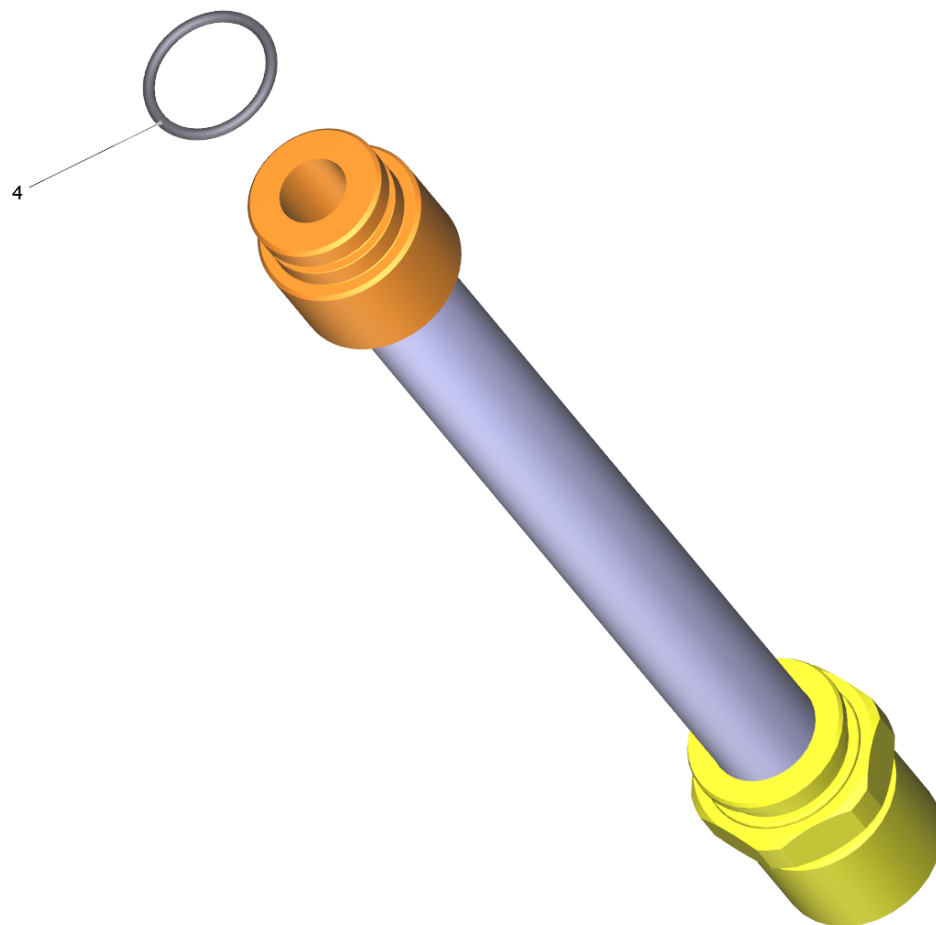
40 Spare part set piston 65MPa (2.885-214.0)

POS	Article no.	Description	Quantity	Unit
1	5.363-768.0	Sealing insert 65MPa	1.000	ST
5	6.362-174.0	O-Ring seal 16,0 X 2,0-NBR 70	1.000	ST



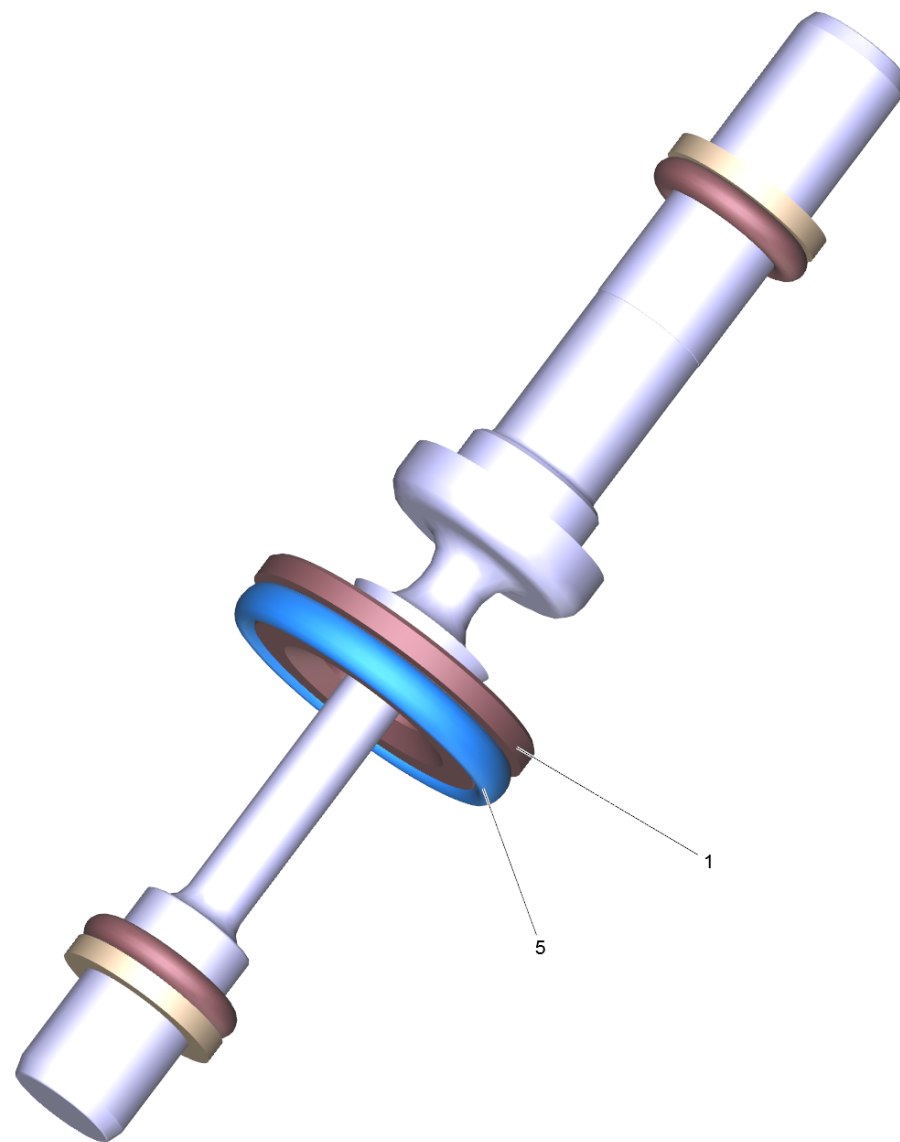
60 Spare part set adapter 65MPa (2.885-216.0)

POS	Article no.	Description	Quantity	Unit
4	6.363-608.0	O-Ring seal 15x1,5 NBR 90	1.000	ST



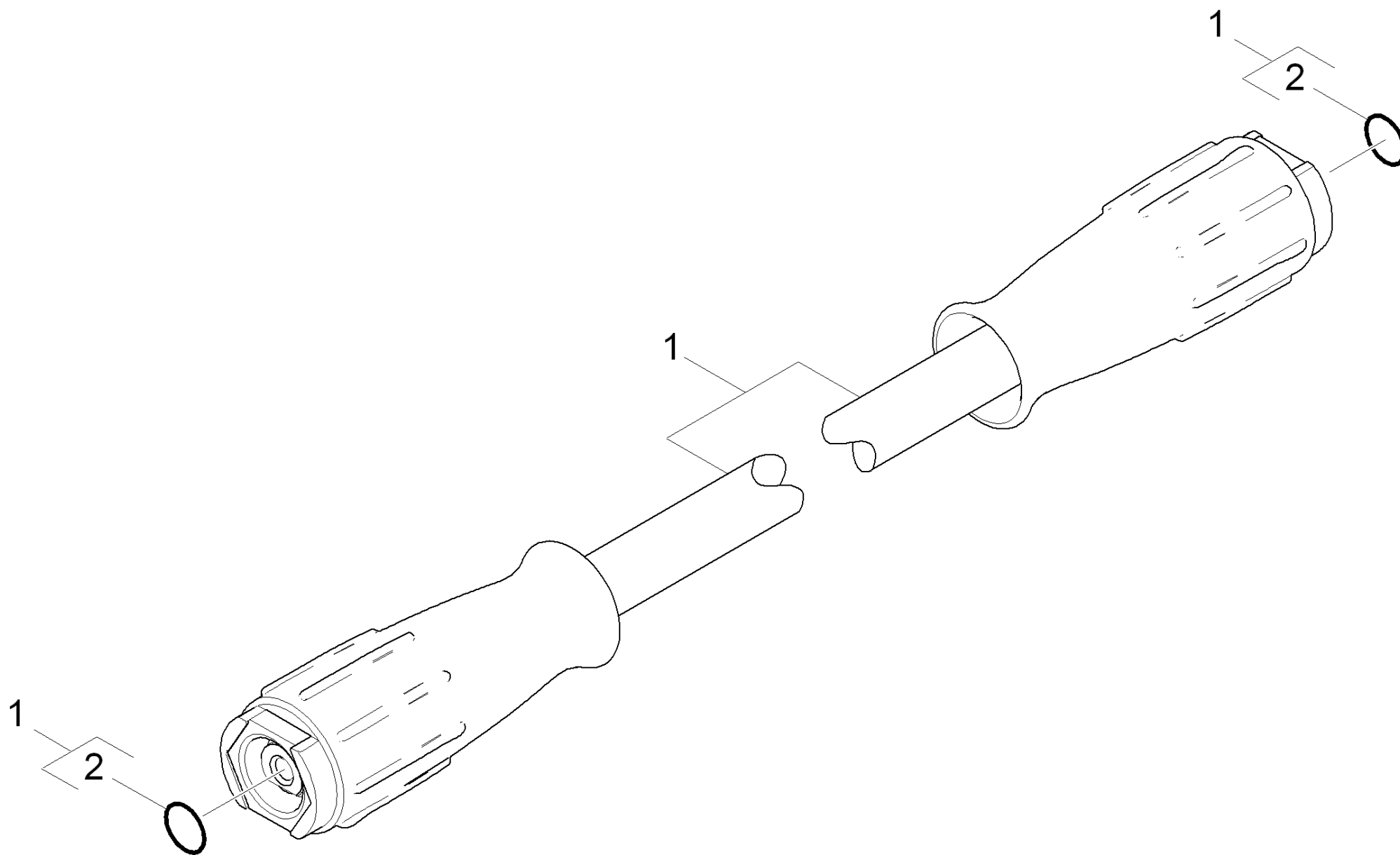
6 Spare part set adapter 65MPa (2.885-216.0)

POS	Article no.	Description	Quantity	Unit
4	6.363-608.0	O-Ring seal 15x1,5 NBR 90	1.000	ST



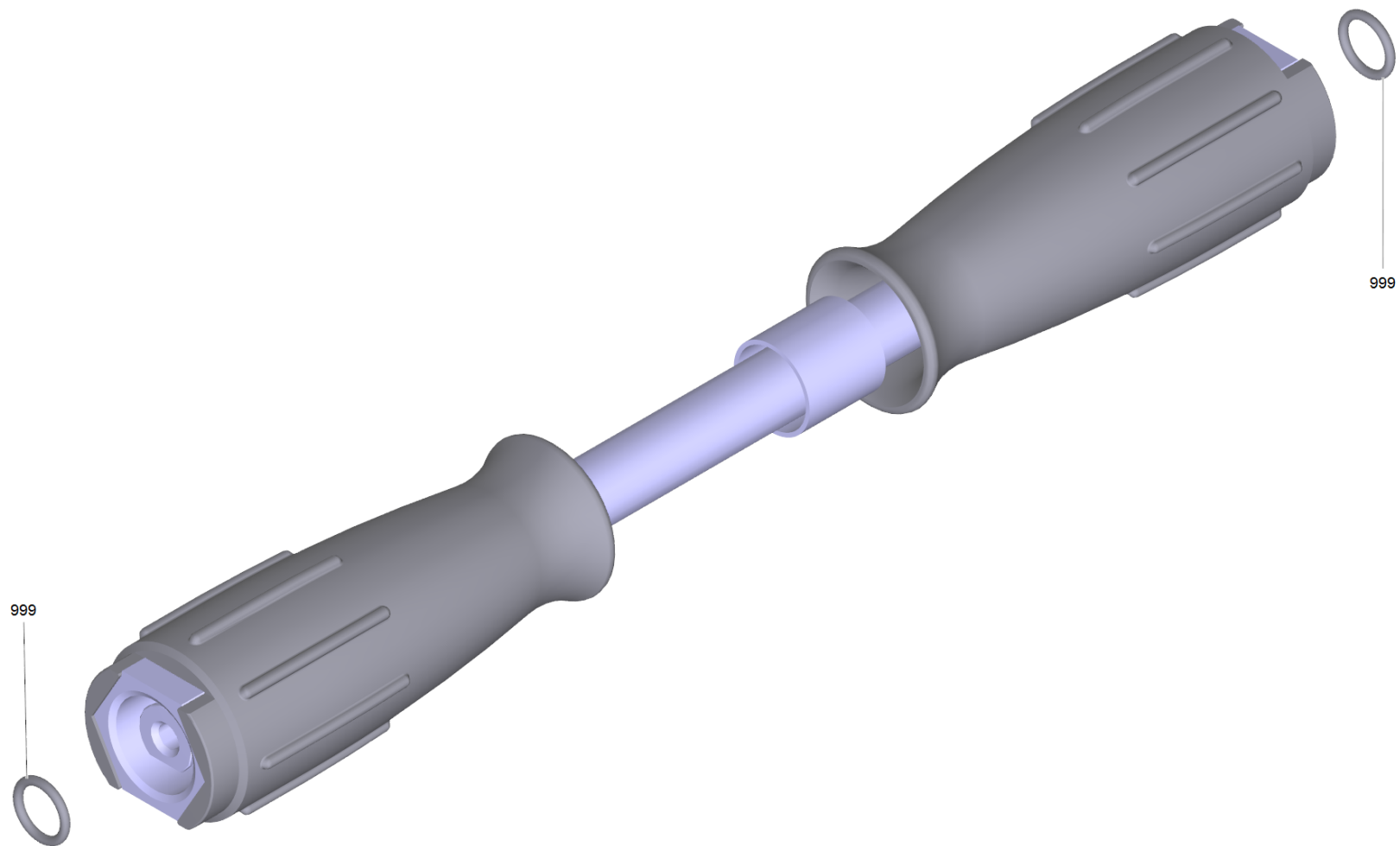
11 Spare part set piston 65MPa (2.885-214.0)

POS	Article no.	Description	Quantity	Unit
1	5.363-768.0	Sealing insert 65MPa	1.000	ST
5	6.362-174.0	O-Ring seal 16,0 X 2,0-NBR 70	1.000	ST



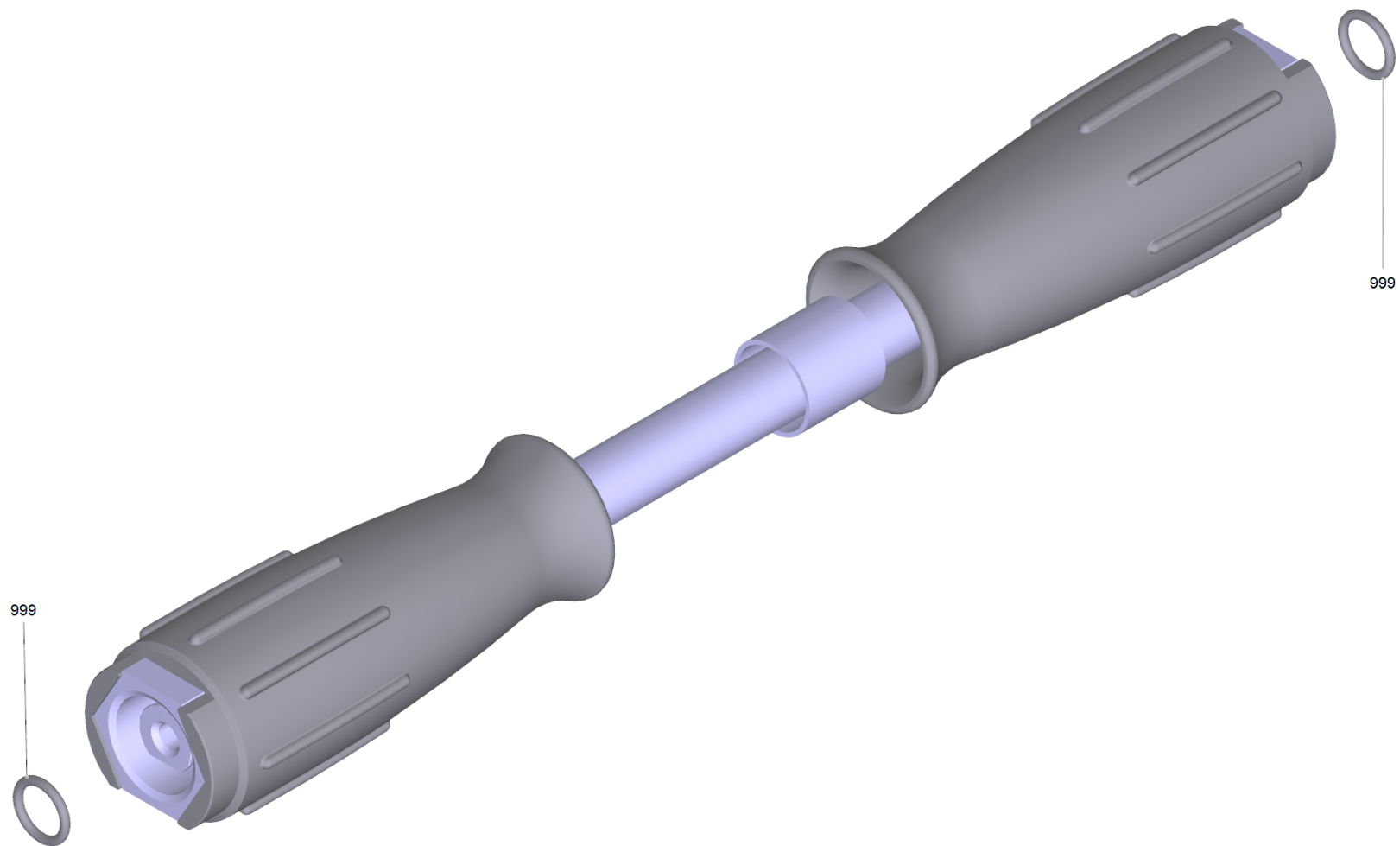
43 High pressure hose

POS	Article no.	Description	Quantity	Unit
1	6.391-856.0	Hose assembly DN8 64MPa 3m	1.000	ST
	Item text1: 1.367-501.0			
1	6.391-857.0	Hose assembly DN8 64MPa 20m	1.000	ST
	Item text1: 1.367-501.0			
1	6.391-848.0	Hose assembly DN8 64MPa 10m	1.000	ST
	Item text1: 1.367-501.0			
1	6.391-847.0	Hose assembly DN10 62MPa 20m	1.000	ST
	Item text1: 1.367-500.0			
1	6.391-020.0	Hose assembly DN8 64MPa 30m	1.000	ST
	Item text1: 1.367-501.0			
1	6.391-846.0	Hose assembly DN10 62MPa 10m	1.000	ST
	Item text1: 1.367-500.0			
1	6.391-019.0	Hose assembly DN10 62MPa 30m	1.000	ST
	Item text1: 1.367-500.0			
2	2.880-990.0	Spare part set O-Ring 5x -Kaercher	1.000	ST



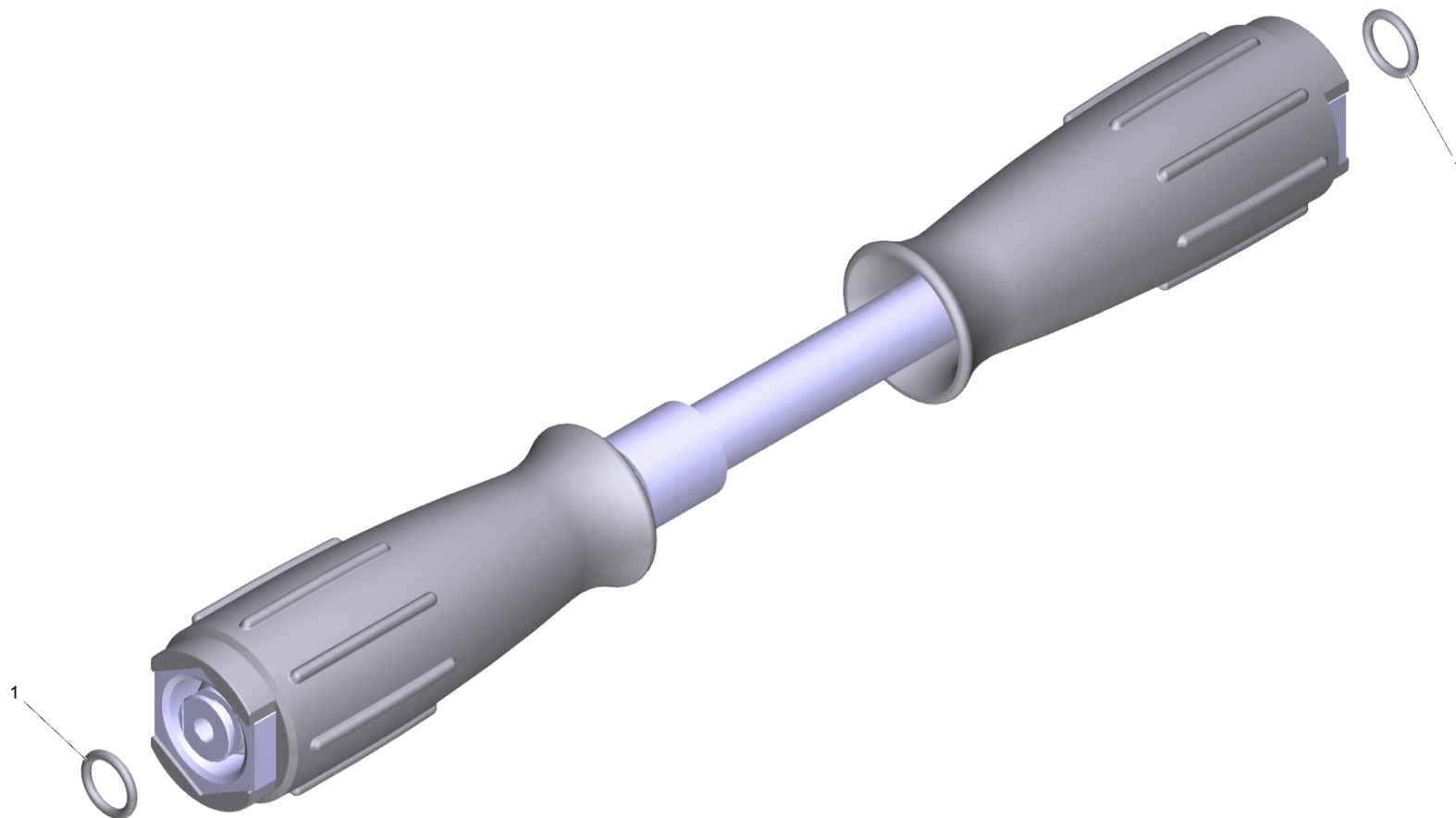
1 Hose assembly DN10 62MPa 30m (6.391-019.0)

POS	Article no.	Description	Quantity	Unit
999	2.880-990.0	Spare part set O-Ring 5x -Kaercher	1.000	ST



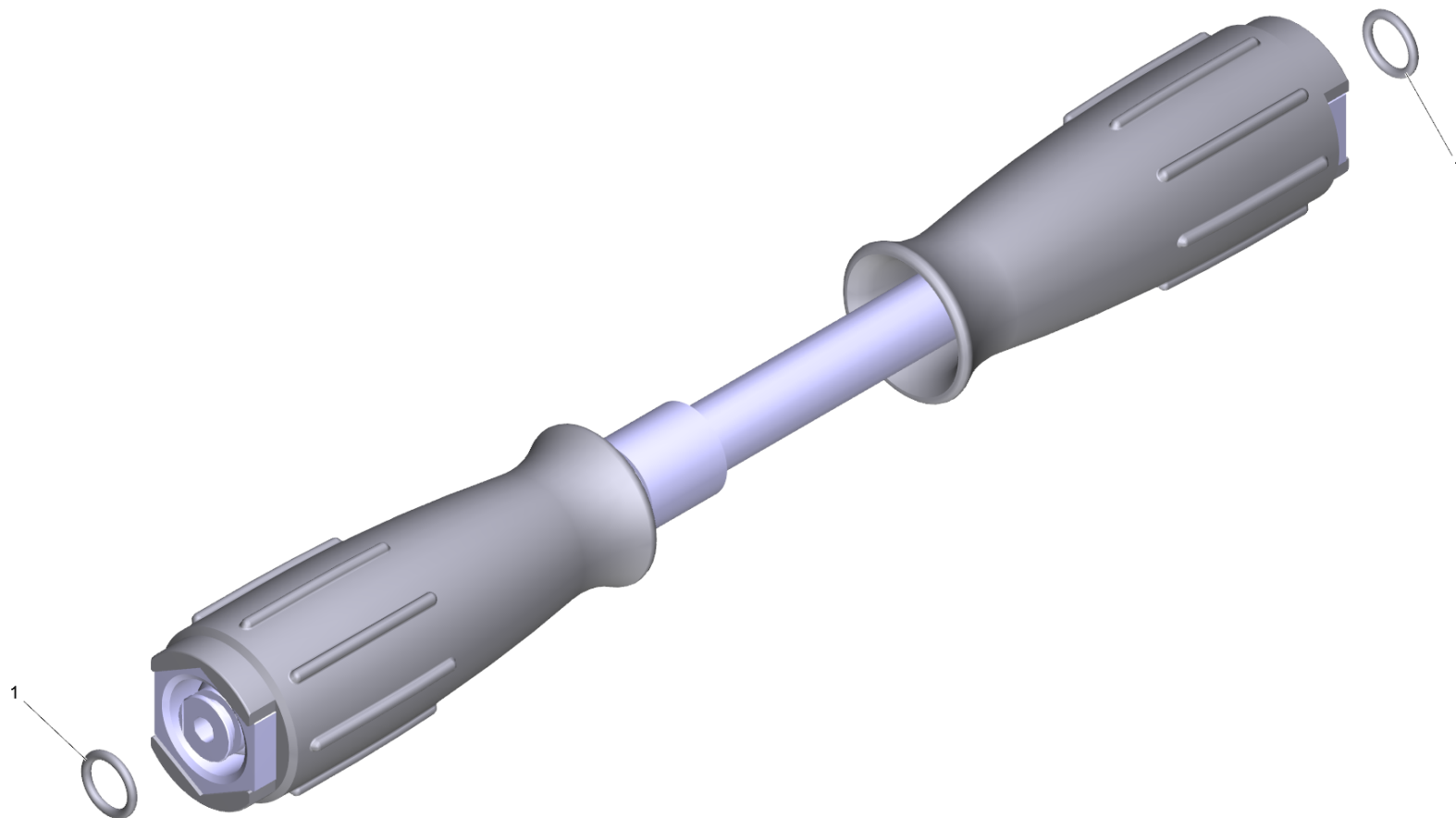
1 Hose assembly DN8 64MPa 30m (6.391-020.0)

POS	Article no.	Description	Quantity	Unit
999	2.880-990.0	Spare part set O-Ring 5x -Kaercher	1.000	ST



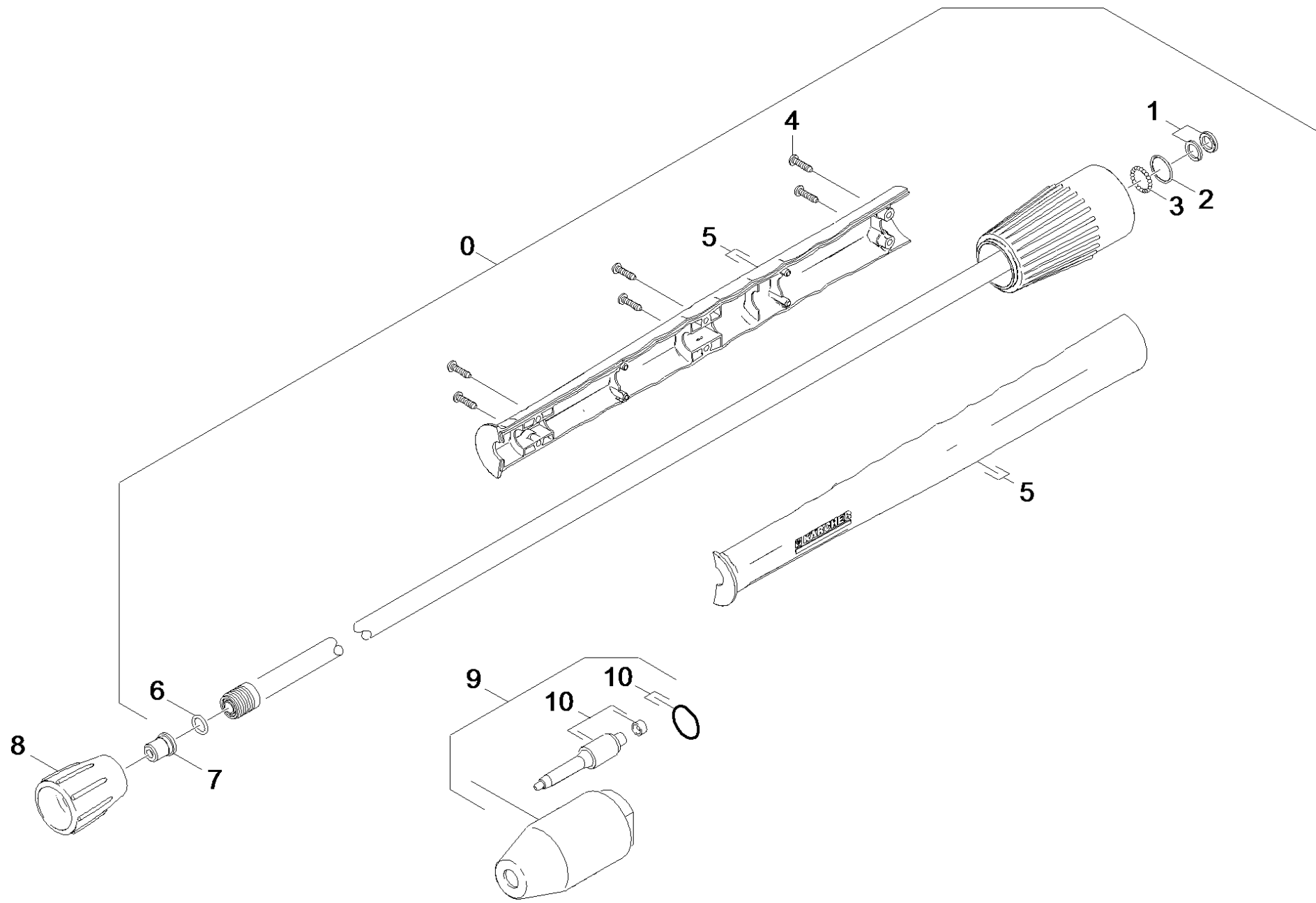
1 Hose assembly DN10 62MPa 20m (6.391-847.0)

POS	Article no.	Description	Quantity	Unit
1	2.880-990.0	Spare part set O-Ring 5x -Kaercher	1.000	ST



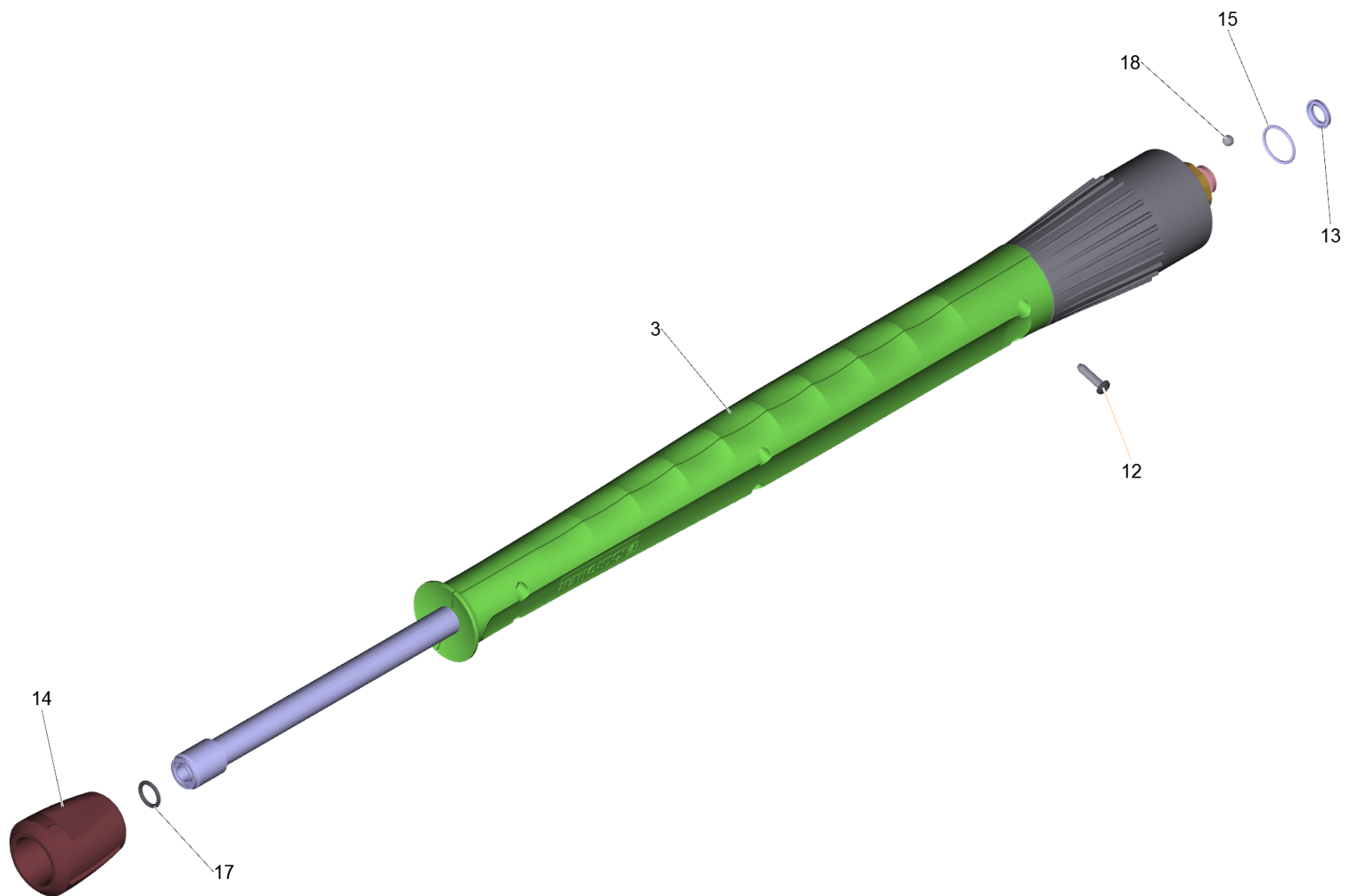
1 Hose assembly DN8 64MPa 10m (6.391-848.0)

POS	Article no.	Description	Quantity	Unit
1	2.880-990.0	Spare part set O-Ring 5x -Kaercher	1.000	ST



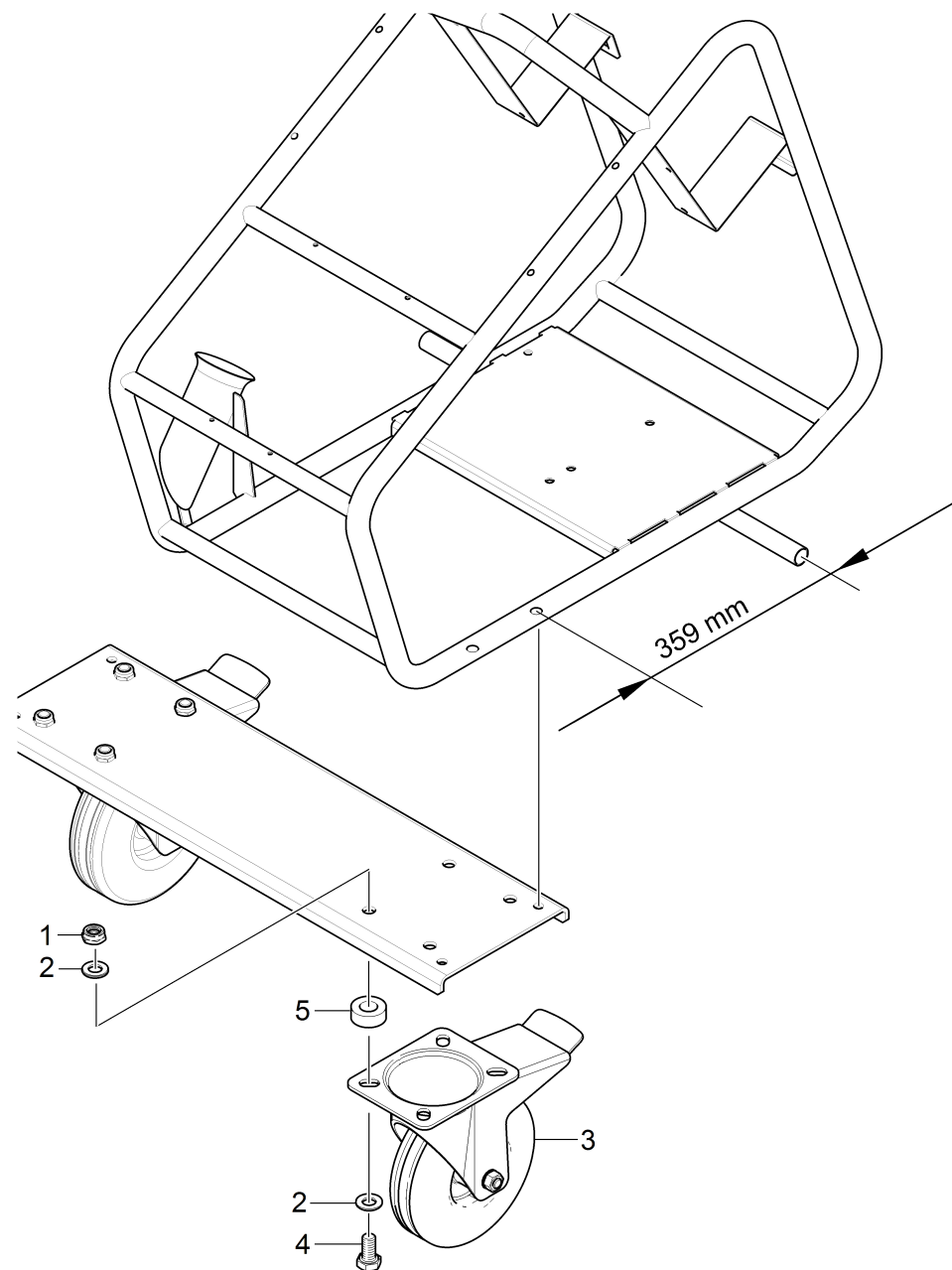
44 Jet pipe

POS	Article no.	Description	Quantity	Unit	Remark
0	4.760-679.0	Jet pipe complete 700 mm 65 MPa	1.000	ST	
1	4.363-692.0	Grooved ring kpl. -nur fuer Ersatz-	1.000	ST	
2	6.362-524.0	O-Ring seal 17,0 X 1,5	1.000	ST	
3	7.401-915.0	Sphere 2,5 G40 -1.4034 DIN 5401	1.000	ST	
4	7.303-129.0	Screw 4x16 -10.9-R2R (K-In6Rd)	6.000	ST	
5	5.321-937.0	Handhold few jet pipe 60 MPa	1.000	ST	
6	2.880-990.0	Spare part set O-Ring 5x -Kaercher	1.000	ST	
7	5.765-165.0	Power nozzle hardened 15046 Tol. 1%	1.000	ST	15 GRAD
	Item text1: 1.367-500.0				
7	5.765-163.0	Power nozzle hardened 15028 Tol. 1%	1.000	ST	15 GRAD
	Item text1: 1.367-501.0				
7	5.765-160.0	Power nozzle hardened 0028 Tol. 1%	1.000	ST	0 GRAD
	Item text1: 1.367-501.0				
7	5.765-161.0	Power nozzle hardened 0046 Tol. 1%	1.000	ST	0 GRAD
	Item text1: 1.367-500.0				
8	5.401-321.0	Screw connector part	1.000	ST	
9	6.415-915.0	Power Rotary Jet 50 MPa	1.000	ST	
	Item text1: 1.367-501.0				
9	6.415-914.0	Power Rotary Jet 35 MPa	1.000	ST	
	Item text1: 1.367-500.0				
10	6.025-437.0	Nozzles set Power Rotary Jet F8 50 MPa	1.000	ST	
	Item text1: 6415-915.0				
10	6.025-436.0	Nozzles set Power Rotary Jet F7 35 MPa	1.000	ST	
	Item text1: 6415-914.0				



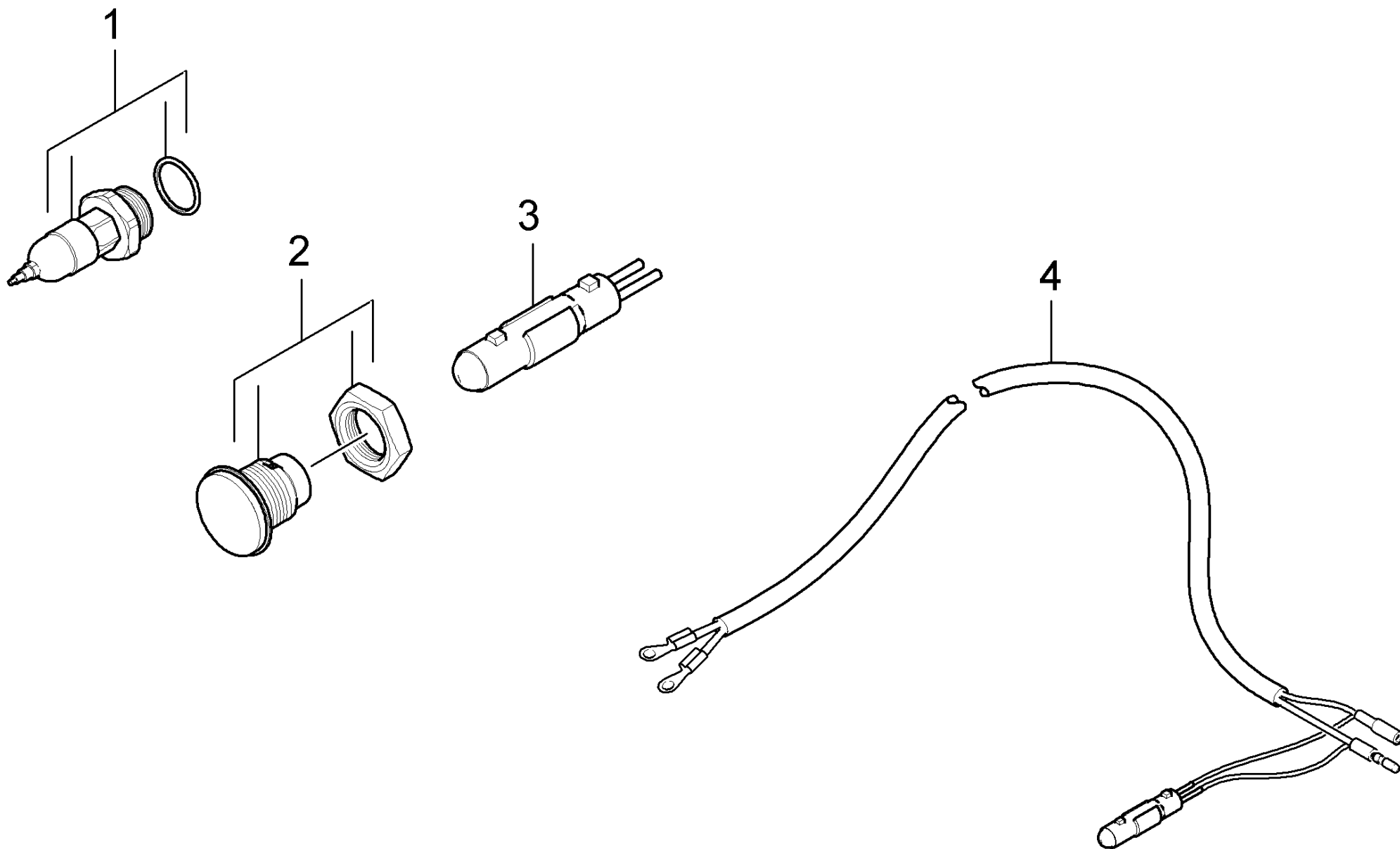
Jet pipe complete 700 mm 65 MPa (4.760-679.0)

POS	Article no.	Description	Quantity	Unit
3	5.321-937.0	Handhold few jet pipe 60 MPa	1.000	ST
12	7.303-129.0	Screw 4x16 -10.9-R2R (K-In6Rd)	6.000	ST
13	4.363-692.0	Grooved ring kpl. -nur fuer Ersatz-	1.000	ST
14	5.401-321.0	Screw connector part	1.000	ST
15	6.362-524.0	O-Ring seal 17,0 X 1,5	1.000	ST
17	2.880-990.0	Spare part set O-Ring 5x -Kaercher	1.000	ST
18	7.401-915.0	Sphere 2,5 G40 -1.4034 DIN 5401	20.000	ST



50 Add-on kit castor

POS	Article no.	Description	Quantity	Unit
1	7.311-427.0	Hexagon nut M8 -04-A2E DIN 985	8.000	ST
2	7.312-004.0	Washer 8 -200HV-A3E ISO 7090	16.000	ST
3	6.435-793.0	Castor 155mm	2.000	ST
4	7.304-395.0	Hexagonal head screw M8x16-8.8-A2E ISO	8.000	ST
5	5.111-205.0	Sleeve	8.000	ST



60 ABS protection against water shortage ga

POS	Article no.	Description	Quantity	Unit
1	4.411-016.0	Screw plug pressure switch gasoline engi	1.000	ST
2	6.651-642.0	Housing	1.000	ST
3	6.651-645.0	Pilot lamp	1.000	ST
4	6.649-633.0	Control cable protection against water s	1.000	ST