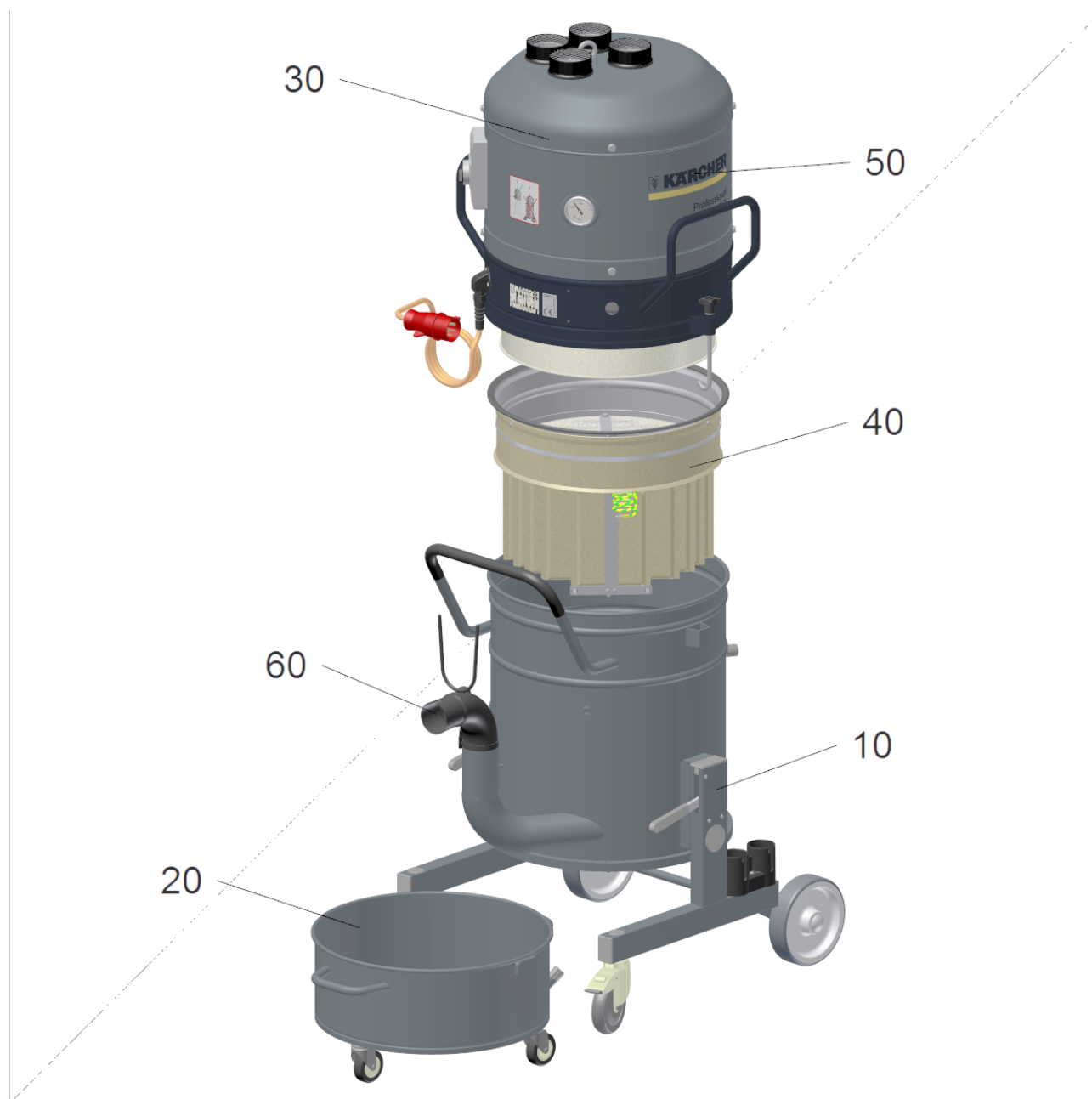


Table of contents

IVR 40/30 Pf (9.986-067.0)	2
10 Spare parts list IVR-L 40/30 Pf (9.986-634.0)	3
10 Chassis IVR, RI 131 RAL 7012 (9.986-587.0)	5
170 Fixing and lifting device complete RI 3 (9.981-649.0)	7
180 Riddling device manually operated new (9.981-717.0)	9
20 Storage tank IVR, RI 131 RAL 7012 (9.986-588.0)	11
30 Drive unit IVR D3 IE2 mit PKZM	13
10 Blower base with hand grip 3-4kWRAL9011 (9.986-686.0)	16
20 Intermediate ring with imprinting RAL 70 (9.986-685.0)	17
30 Cover RI D 1,5/3,0 kW RAL 7012 (9.986-687.0)	18
90 Side canal compressor assembly group 3kW	19
100 Silencer Ausblauschl. ø76x800mm (9.981-813.0)	21
340 Connection cable orange 4x2,5mm ² -7m H07B (9.979-856.0)	23
40 Pocket filter 1,75m ² Kat "M" (9.981-680.0)	24
20 Distance rake pocket filter 1,75m ² (9.981-721.0)	26

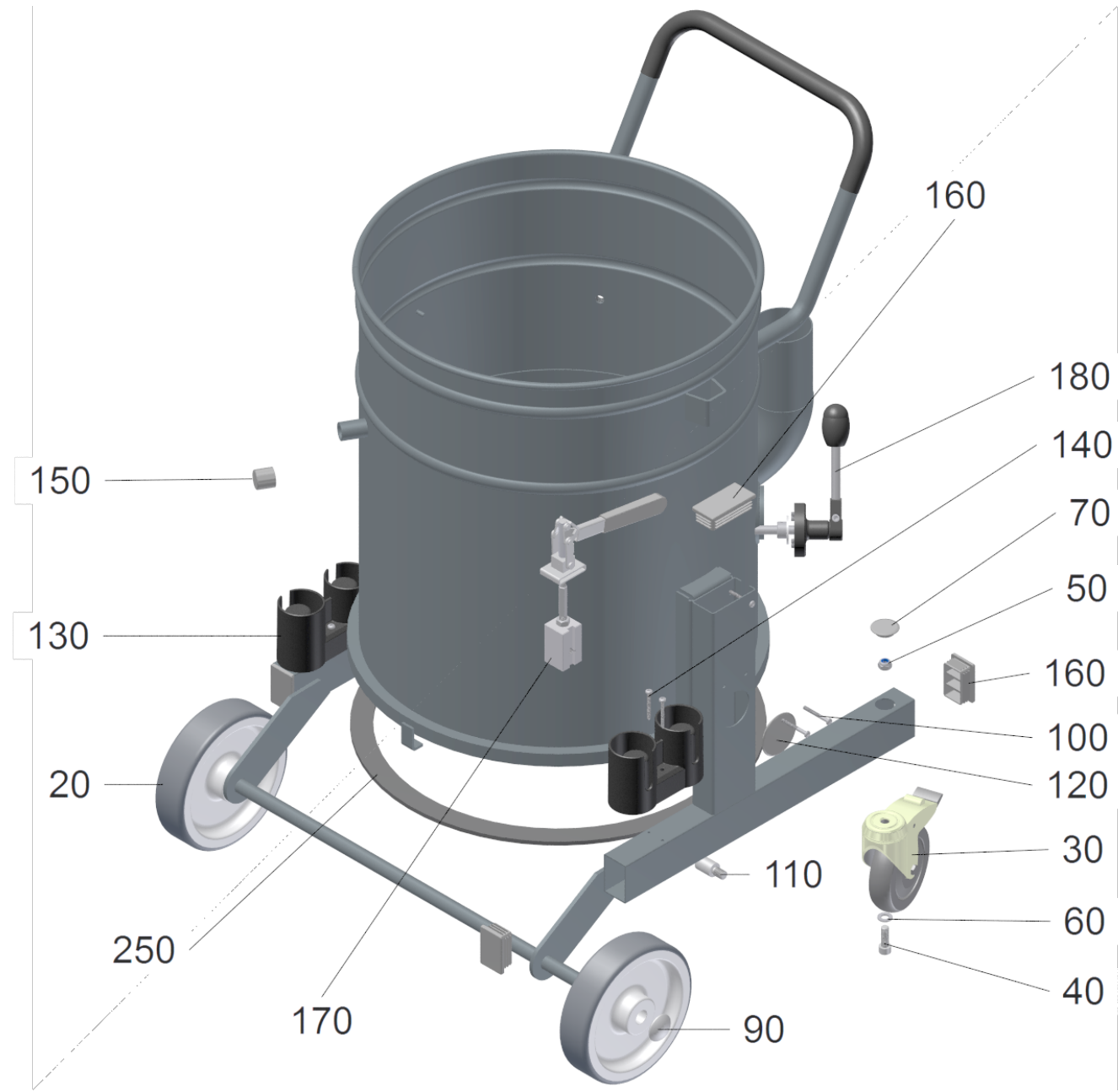
IVR 40/30 Pf (9.986-067.0)

POS	Article no.	Description	Quantity	Unit
10	9.986-634.0	Spare parts list IVR-L 40/30 Pf	1.000	ST



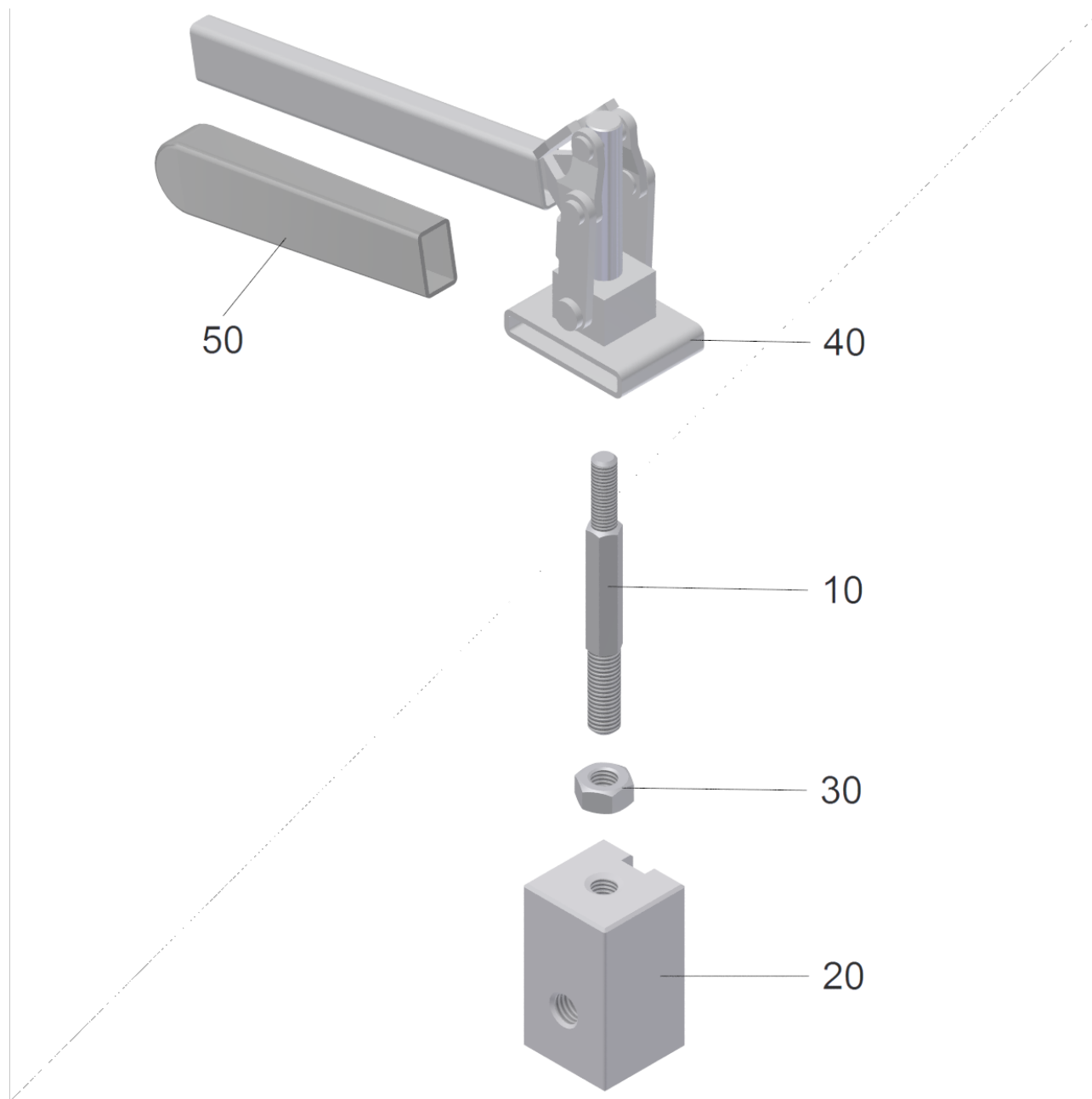
10 Spare parts list IVR-L 40/30 Pf (9.986-634.0)

POS	Article no.	Description	Quantity	Unit
10	9.986-587.0	Chassis IVR, RI 131 RAL 7012	1.000	ST
30		Drive unit IVR D3 IE2 mit PKZM	1.000	ST
50	9.986-173.0	Label IVR 40/15 Pf	2.000	ST
40	9.981-680.0	Pocket filter 1,75m ² Kat "M"	1.000	ST
20	9.986-588.0	Storage tank IVR, RI 131 RAL 7012	1.000	ST



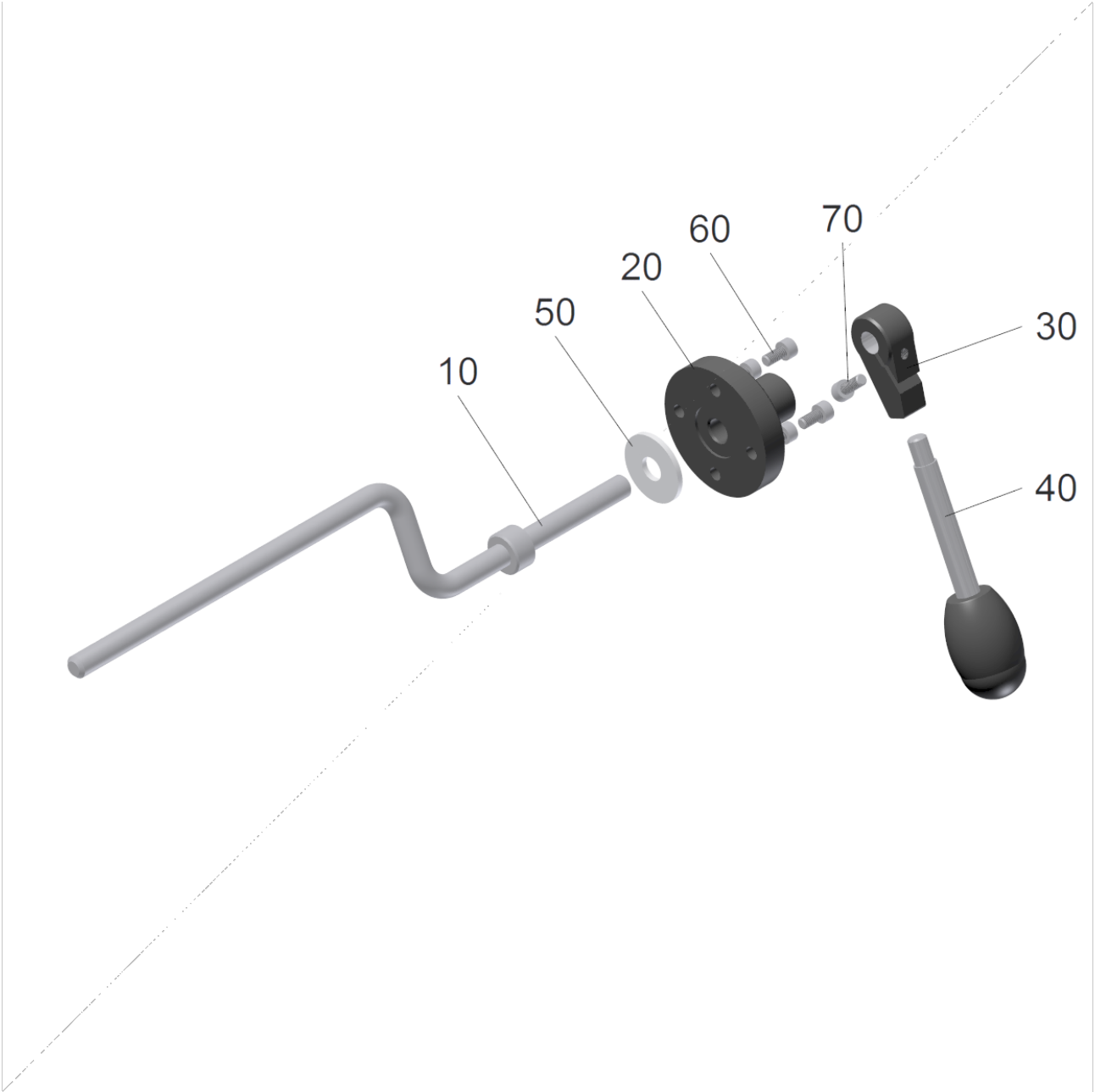
10 Chassis IVR, RI 131 RAL 7012 (9.986-587.0)

POS	Article no.	Description	Quantity	Unit
130	6.415-930.0	Accessories holder DN 40/50	2.000	ST
30	9.981-647.0	Castor with stopper antistatic 125mm	2.000	ST
70	9.974-777.0	Covering cap black side part ø27mm	2.000	ST
120	9.980-008.0	Covering cap bore side part ø53mm	2.000	ST
40	7.306-063.0	Cylinder head screw M10x30-8.8-A3E ISO4	2.000	ST
170	9.981-649.0	Fixing and lifting device complete RI 3	1.000	ST
110	9.980-136.0	Headless screw for lifting device	2.000	ST
50	7.311-423.0	Hexagon nut M10 -04-A2E DIN 985	2.000	ST
100		Oval head screw M5x45-vz ISO 7380	6.000	ST
160	9.980-014.0	Pipe cap black 60x 40	4.000	ST
80	9.980-001.0	Pipe cap black 80x 40	2.000	ST
250	9.980-354.0	Profile cellular rubber black 30x6x1800m	1.000	ST
180	9.981-717.0	Riddling device manually operated new	1.000	ST
140	9.974-307.0	Sheet metal screw 4,8x45mm-vz DIN 7981	4.000	ST
150	9.974-766.0	Slider plastics black ø25mm	1.000	ST
90	9.980-021.0	Spring washer with cap ø20mm, V2A	2.000	ST
60	7.312-005.0	Washer 10-200HV-A3E ISO 7090	2.000	ST
20	9.980-113.0	Wheel contact surface thermo plastic rub	2.000	ST



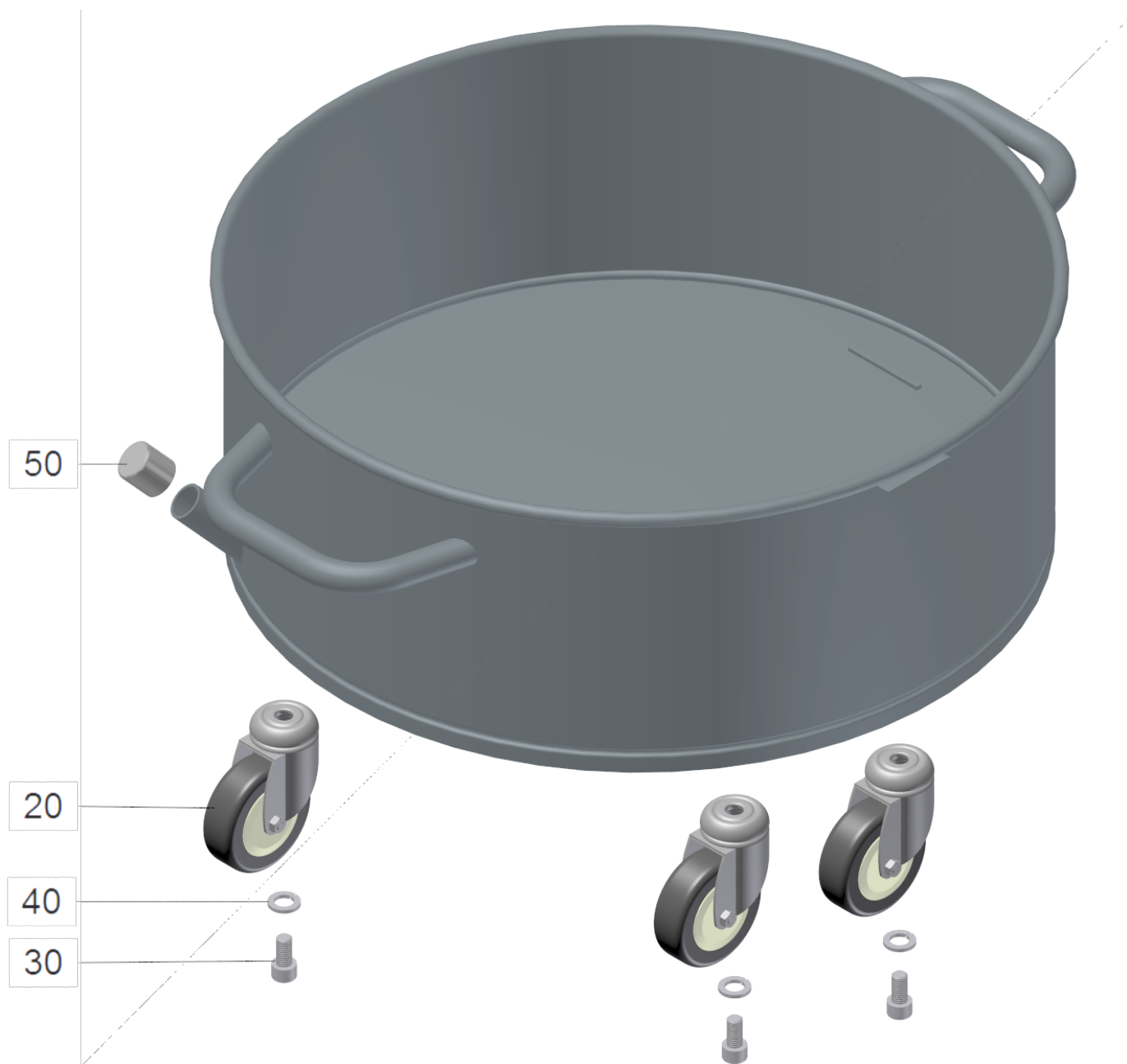
170 Fixing and lifting device complete RI 3 (9.981-649.0)

POS	Article no.	Description	Quantity	Unit
50	9.980-003.0	Hand grip black PVC, 19x10x115nn	1.000	ST
30	7.311-202.0	Hexagon nut M10-04-A2E ISO 4035	1.000	ST
40	9.981-004.0	Push rod tightener lifting device RI	1.000	ST
20	9.980-143.0	Slider lifting device	1.000	ST
10	9.980-138.0	Stud screw for lifting device	1.000	ST



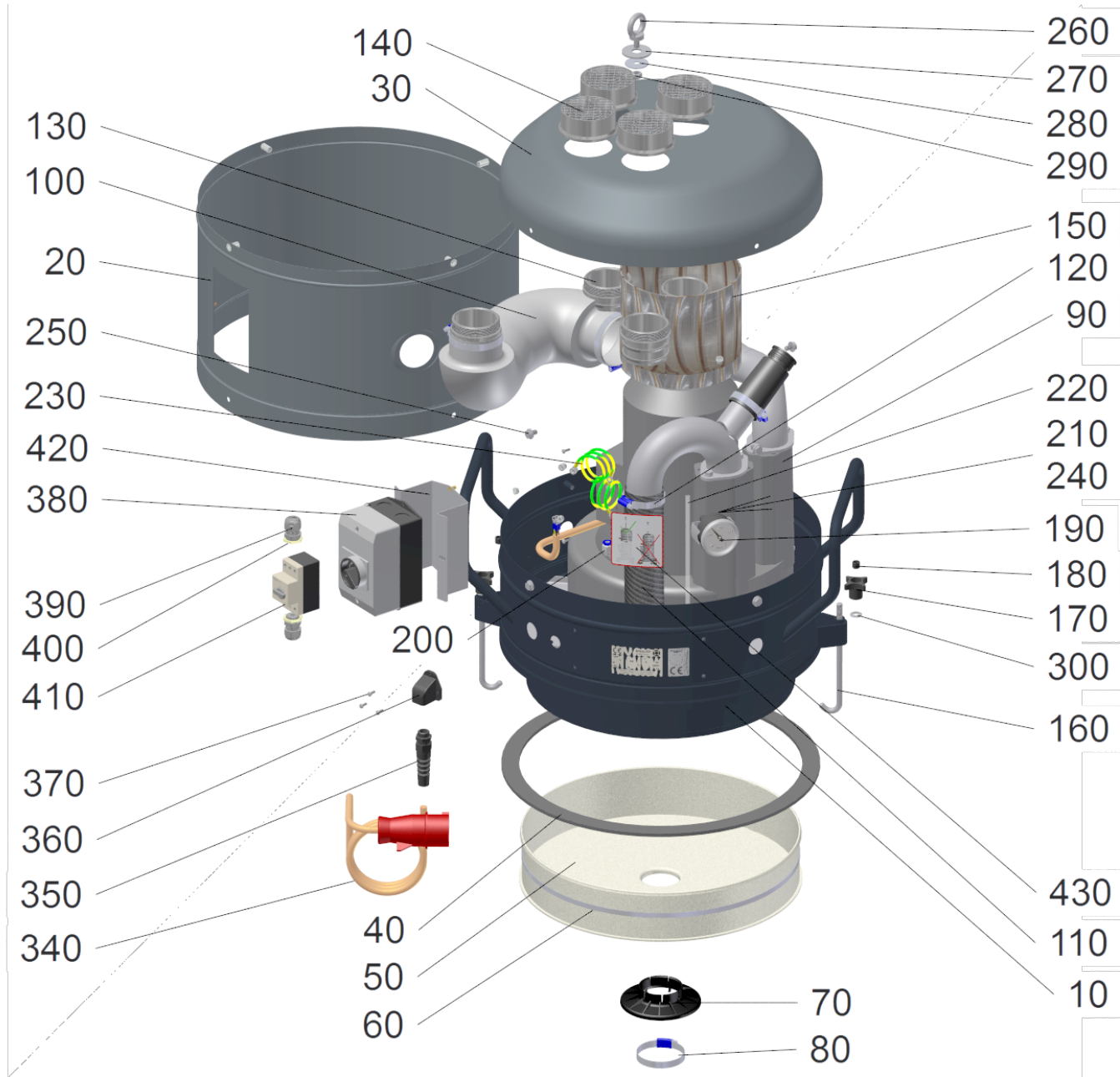
180 Riddling device manually operated new (9.981-717.0)

POS	Article no.	Description	Quantity	Unit
30	9.980-270.0	Clamping hub for handle bar "neue" Handa	1.000	ST
60	7.306-500.0	Cylinder head screw M6x12-8.8-A2E DIN 6	4.000	ST
70	7.306-020.0	Cylinder head screw M 6x16-8.8-A2E DIN	1.000	ST
40	9.980-271.0	Handle bar manual vibration new	1.000	ST
10	9.980-269.0	Vibration rod curved zinc-plated ø12	1.000	ST
20	9.981-050.0	Vibrator guide for manual vibration RI	1.000	ST
50	7.312-297.0	Washer 12 -A2 ISO 7093-1	1.000	ST



20 Storage tank IVR, RI 131 RAL 7012 (9.986-588.0)

POS	Article no.	Description	Quantity	Unit
20	9.981-630.0	Castor antistatic ø75x25mm, RI 131	3.000	ST
30	7.306-234.0	Cylinder head screw M10x20-A4-70 ISO 47	3.000	ST
50	9.974-766.0	Slider plastics black ø25mm	1.000	ST
40	9.974-282.0	Spring washer A 10-vz DIN 127	3.000	ST



30 Drive unit IVR D3 IE2 mit PKZM

POS	Article no.	Description	Quantity	Unit
70	9.980-855.0	Baffle plate small ø137mm	1.000	ST
10	9.986-686.0	Blower base with hand grip 3-4kWRAL9011	1.000	ST
390	9.974-487.0	Cable gland black M25x1,5	2.000	ST
350	9.979-917.0	Cable gland BS-M20x1,5	1.000	ST
110	9.976-639.0	Connecting hose Wyrem ø63 x 400 mm	1.000	ST
340	9.979-856.0	Connection cable orange 4x2,5mm ² -7m H07B	1.000	ST
30	9.986-687.0	Cover RI D 1,5/3,0 kW RAL 7012	1.000	ST
260	9.979-784.0	Eye screw zinc-plated M10 DIN 580	1.000	ST
50	9.980-180.0	Flat filter antistatic 0,45 m ² Kat. "L"	1.000	ST
160	9.980-114.0	Grip bar closure 2240207	2.000	ST
230	9.980-919.0	Grounding cable green/yellow 6,0mm ² x600m	2.000	ST
330	7.311-425.0	Hexagon nut M6 -04-A2E DIN 985	6.000	ST
290	7.311-423.0	Hexagon nut M10 -04-A2E DIN 985	1.000	ST
80	6.902-176.0	Hose clip 60-80 mm	1.000	ST
120	9.979-969.0	Hose clip zinc-plated ø50-70x12mm	2.000	ST
220	9.983-039.0	Hose pneumatic nature PUN-8x1,25-NT	1.000	M
380	9.974-674.0	Insulated housing CI-K2-PKZ0-G, IP 55	1.000	ST
150	9.976-638.0	Intake hose cooling air ø200 Typ "D"	1.000	ST
20	9.986-685.0	Intermediate ring with imprinting RAL 70	1.000	ST
360	9.986-318.0	Klapp-Flachverschraubung M20x1,5	1.000	ST
430	9.980-336.0	Label safety instructions 3-phase-curren	1.000	ST
400	9.974-538.0	Locknut SM-M25x1,5-CuZn	2.000	ST
210	9.979-426.0	L Push-in fitting QSLF-1/4-8-B	1.000	ST
410	9.974-676.0	Motor protecting switch PKZM0-10	1.000	ST
140	9.980-951.0	Nut with strainer 2 3/4"	4.000	ST
240	6.362-099.0	O-Ring seal 63,0 x 3,0-NBR 63	1.000	ST
370	9.974-071.0	Oval head screw M 4x 12-vz ISO 7380	5.000	ST
40	9.980-354.0	Profile cellular rubber black 30x6x1800m	1.000	ST
200	9.979-448.0	Push-in fitting straight 1/4" QS-G1/4-8	1.000	ST
420	9.986-643.0	Retaining plate for housing CI-2K PKZM	1.000	ST
250	9.974-165.0	Securing screw zinc-plated M 8x 12	12.000	ST
90		Side canal compressor assembly group 3kW	1.000	ST
100	9.981-813.0	Silencer Ausblusschl. ø76x800mm	1.000	ST

30 Drive unit IVR D3 IE2 mit PKZM

POS	Article no.	Description	Quantity	Unit
180	9.974-740.0	Slider plastics black ø8mm	2.000	ST
170	6.321-133.0	Star handle	2.000	ST
130	9.980-052.0	Threaded part for blow off 2 3/4"	3.000	ST
60	9.979-980.0	Tightening strap with lock ø60-540mm	1.000	ST
310	7.312-167.0	Toothed lock washer A6,4-FSt-A3E DIN 67	4.000	ST
190	9.981-675.0	Vacuum gauge 0-400mbar	1.000	ST
320	7.312-003.0	Washer 6 -200HV-A3E ISO 7090	10.000	ST
300	7.312-005.0	Washer 10-200HV-A3E ISO 7090	2.000	ST
270	7.312-050.0	Washer 16-200HV-A2E ISO7093-1	1.000	ST
280	9.979-807.0	Washer ø40x10,5x1,5mm-vz DIN 9021	1.000	ST

10 Blower base with hand grip 3-4kWRAL9011 (9.986-686.0)

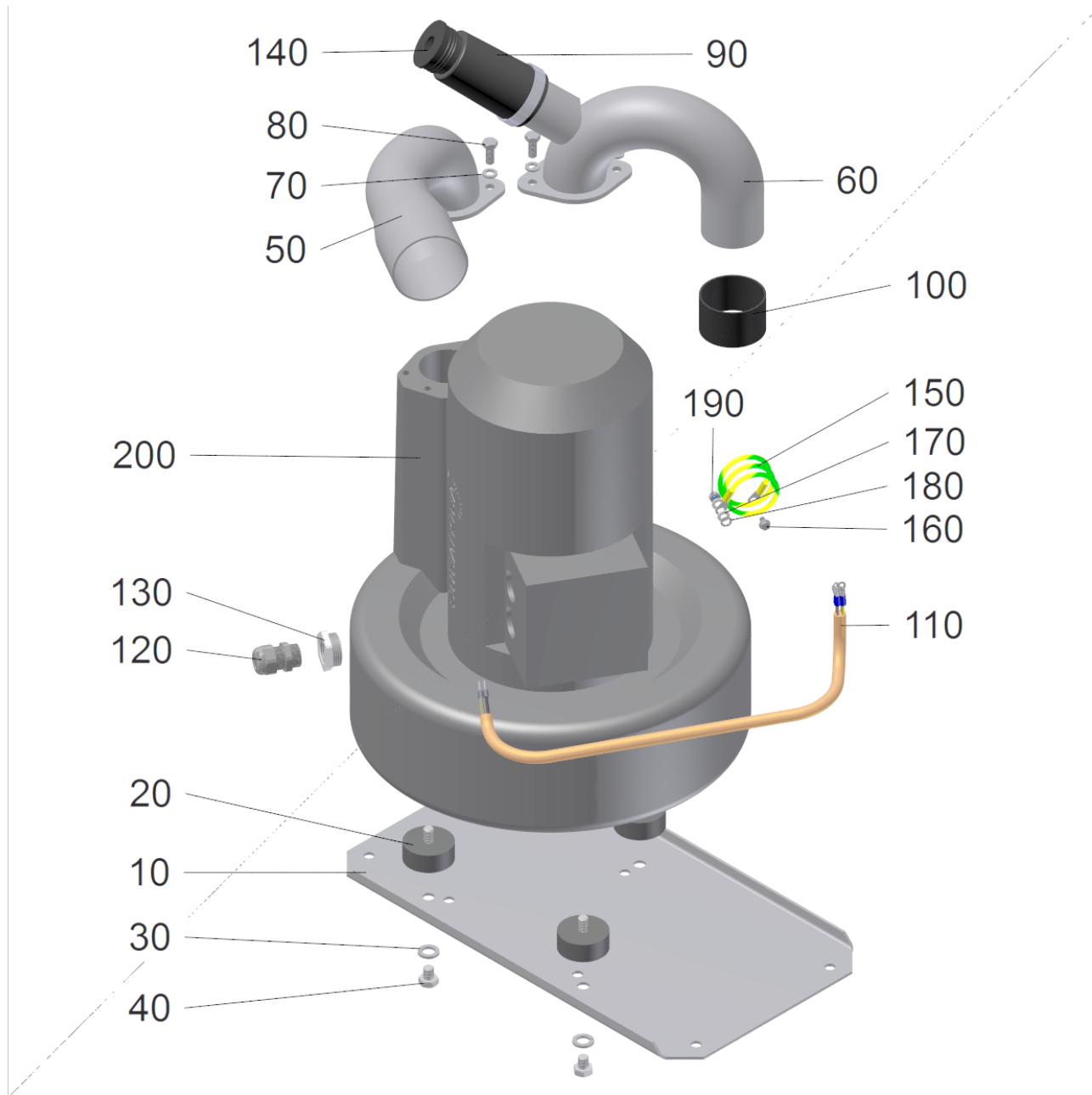
POS	Article no.	Description	Quantity	Unit
10	9.980-328.0	Blower base with hand grip 3-4kW	1.000	ST

20 Intermediate ring with imprinting RAL 70 (9.986-685.0)

POS	Article no.	Description	Quantity	Unit
10	9.986-642.0	Intermediate ring with imprinting ø63mm	1.000	ST

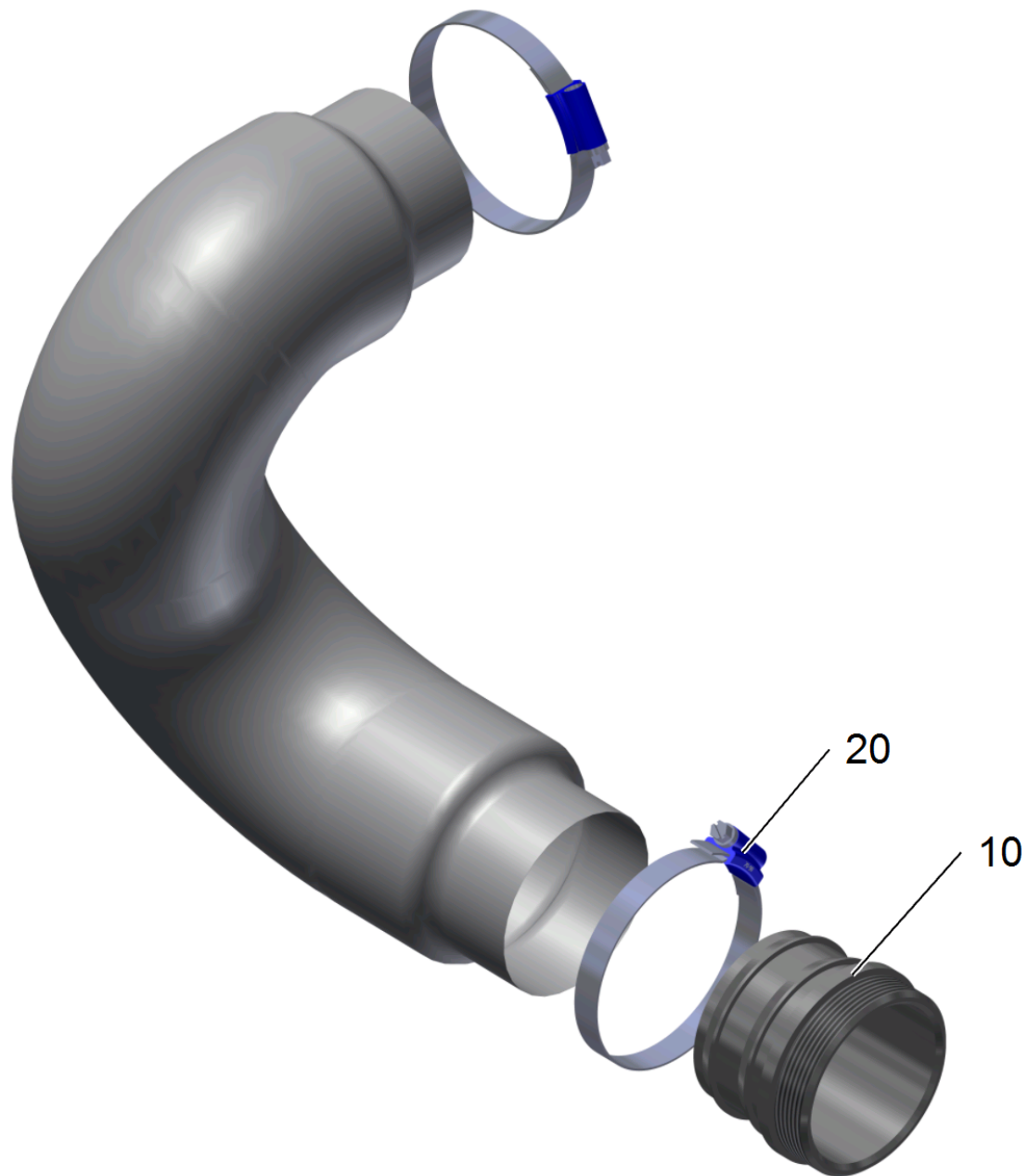
30 Cover RI D 1,5/3,0 kW RAL 7012 (9.986-687.0)

POS	Article no.	Description	Quantity	Unit
10	9.980-346.0	Cover RI D 1,5/3,0 kW	1.000	ST



90 Side canal compressor assembly group 3kW

POS	Article no.	Description	Quantity	Unit
10		Bracket drive unit powder-coated 1,5-4kW	1.000	ST
110	9.979-886.0	Cable 4x2,50mm ² , mit 4-er Ringösen	1.000	ST
120	9.974-487.0	Cable gland black M25x1,5	1.000	ST
150	9.980-919.0	Grounding cable green/yellow 6,0mm ² x600m	1.000	ST
80	7.304-397.0	Hexagonal head screw M8x20-8.8-A2E ISO	4.000	ST
40	9.974-141.0	Hexagonal head screw M10x 12-8.8 DIN 93	3.000	ST
190	7.311-425.0	Hexagon nut M6 -04-A2E DIN 985	1.000	ST
100	9.980-369.0	Piece of tube seal DN 51x40mm	1.000	ST
60	9.981-318.0	Pipe bend with oval flange 180°	1.000	ST
50	9.977-612.0	Pipe bend with oval flange D3,0	1.000	ST
140	9.977-059.0	Pipe cap with bore ø16	1.000	ST
130	9.974-488.0	Reduction black M32/25	1.000	ST
20	9.980-361.0	Rubber metal buffer Typ B, ø50, h=20mm	3.000	ST
160	9.974-066.0	Securing screw zinc-plated M 5x 10	1.000	ST
200	9.975-831.0	Side canal compressor IE2 3,0kW 400V50Hz	1.000	ST
70	9.974-279.0	Spring washer A 8,1-vz DIN 127	4.000	ST
30	9.974-282.0	Spring washer A 10-vz DIN 127	3.000	ST
180	7.312-167.0	Toothed lock washer A6,4-FSt-A3E DIN 67	1.000	ST
90	9.981-043.0	Vacuum limiting valve 1 1/4" 220mbar	1.000	ST
170	7.312-003.0	Washer 6 -200HV-A3E ISO 7090	2.000	ST

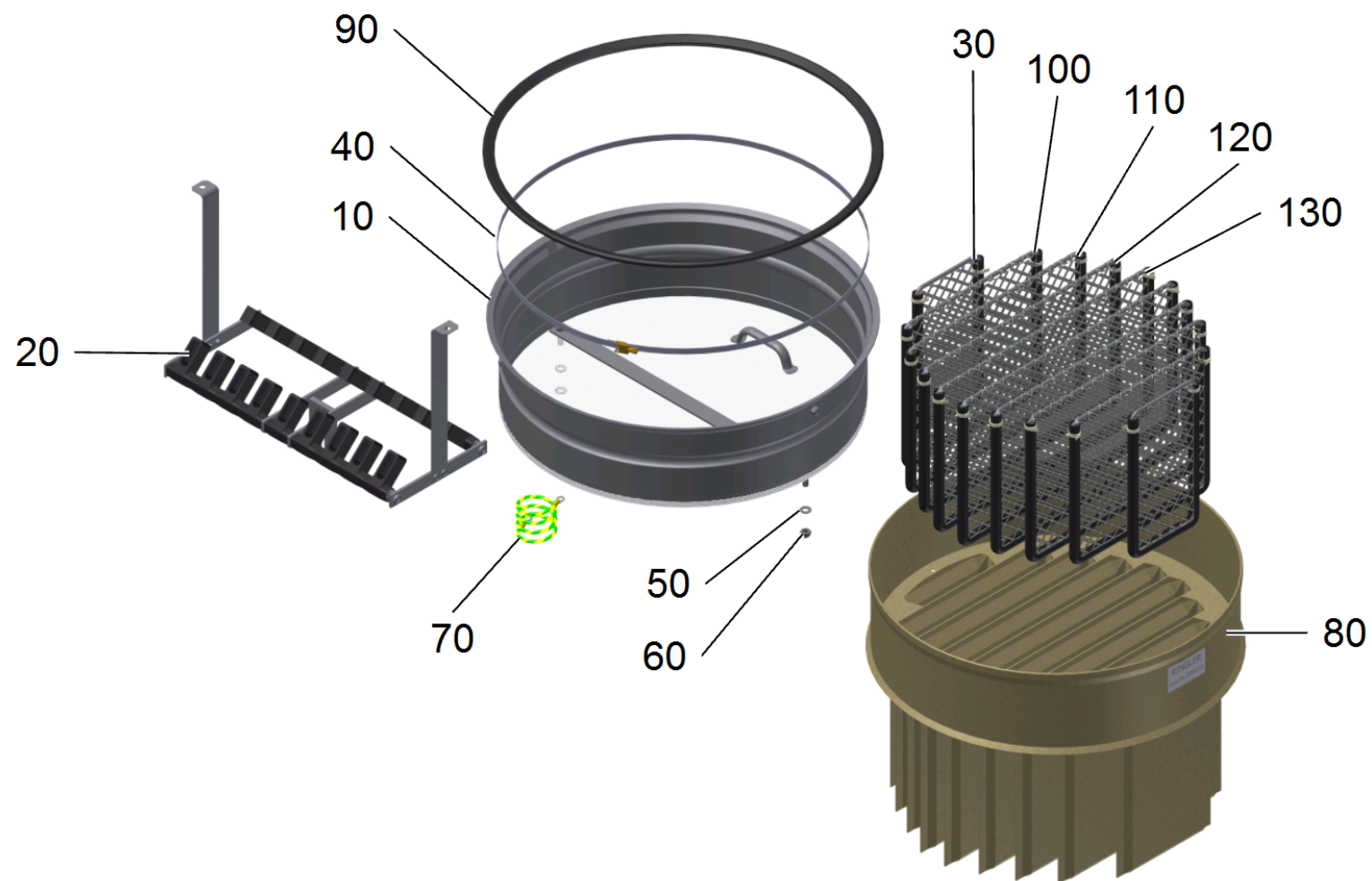


100 Silencer Ausblusschl. ø76x800mm (9.981-813.0)

POS	Article no.	Description	Quantity	Unit
20	9.979-971.0	Hose clip zinc-plated ø70-90x12mm	2.000	ST
10	9.980-052.0	Threaded part for blow off 2 3/4"	1.000	ST

340 Connection cable orange 4x2,5mm²-7m H07B (9.979-856.0)

POS	Article no.	Description	Quantity	Unit
20	9.979-833.0	Cable orange 4x2,5 ² ,H07BQ-F, VDE geprüft	8.200	M



40 Pocket filter 1,75m² Kat "M" (9.981-680.0)

POS	Article no.	Description	Quantity	Unit
30	9.980-185.0	Distance mat 130x240mm	2.000	ST
100	9.980-186.0	Distance mat 260x240mm	2.000	ST
110	9.980-187.0	Distance mat 335x240mm	2.000	ST
120	9.980-188.0	Distance mat 375x240mm	2.000	ST
130	9.980-189.0	Distance mat 410x240mm	2.000	ST
20	9.981-721.0	Distance rake pocket filter 1,75m ²	1.000	ST
80	9.981-681.0	Filtercloth antistatic 1,75m ² , Kat. "M"	1.000	ST
70	9.977-056.0	Grounding cable green/yellow 6,0mm ² x1000	1.000	ST
60	7.311-427.0	Hexagon nut M8 -04-A2E DIN 985	2.000	ST
10	9.980-843.0	Pocket filter insert 1,75/3,2 + 5,2m ²	1.000	ST
40	9.979-980.0	Tightening strap with lock ø60-540mm	1.000	ST
90	9.982-986.0	U-Section joint ring oil resistant ø517	1.000	ST
50	7.312-004.0	Washer 8 -200HV-A3E ISO 7090	3.000	ST

20 Distance rake pocket filter 1,75m² (9.981-721.0)

POS	Article no.	Description	Quantity	Unit
20		Distance base support f. TF 1,75/3,2/5,2	1.000	ST
60		Flat steel distance rake 1,75m ² /3,2m ² /5,	1.000	ST
9	7.311-431.0	Hexagon nut M 5-1.4305 DIN 985	4.000	ST
80		Oval head screw M 5x 10-vz ISO 7380	4.000	ST
70		Oval head screw M 8x 30-vz ISO 7380	2.000	ST
10	9.980-321.0	Plate spring for filter 1,75m ²	2.000	ST
30	9.980-264.0	Spacer long pocket filter rake	18.000	ST
50		Spacer washer for pocket filter	2.000	ST
40		Vibrator sledge for riddling	1.000	ST