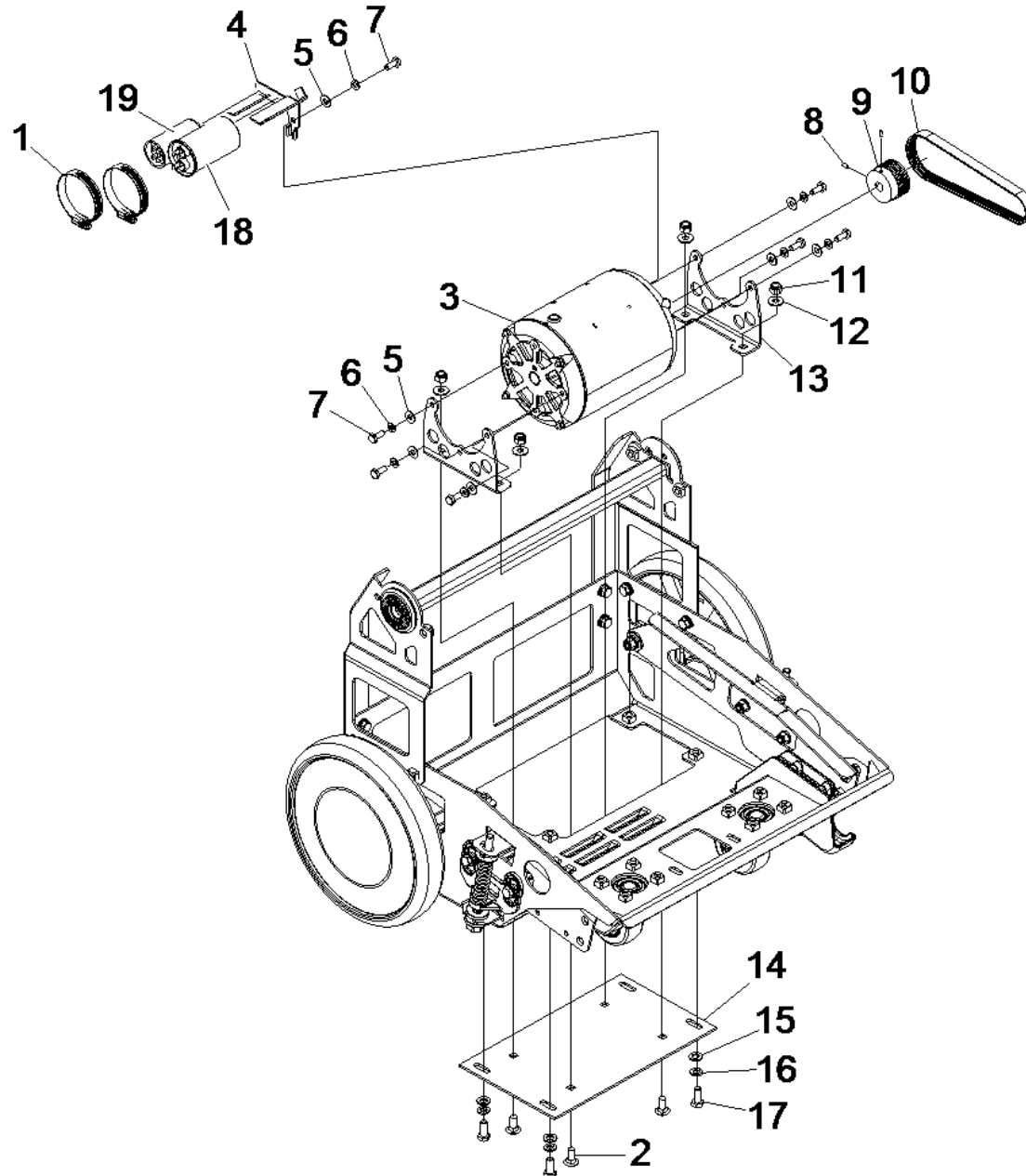


# 42 Brushes transmission

Professional \ Vacuum cleaner \ Dry vacuum cleaner \ CV 66/2 \*EU \ Spare parts list CV 66/2 \ Power brush \ Brushes transmission



## 42 Brushes transmission

Professional \ Vacuum cleaner \ Dry vacuum cleaner \ CV 66/2 \*EU \ Spare parts list CV 66/2 \ Power brush \ Brushes transmission



| POS | Article no. | Description                           | Quantity | Unit | Remark    |
|-----|-------------|---------------------------------------|----------|------|-----------|
| 10  | 8.629-138.0 | BELT, 290J6, MICRO-V                  | 1        | PC   |           |
| 4   | 8.601-258.0 | BRACKET, CAPACITOR, MOTOR MNT         | 1        | PC   |           |
| 13  | 8.621-555.0 | BRACKET, MOTOR MOUNT                  | 2        | PC   |           |
| 1   | 8.621-675.0 | CLAMP, WORM GEAR 40 - 64MM            | 2        | PC   |           |
| 3   | 8.622-215.0 | MOTOR, 230V .5HP INDUCTION            | 1        | PC   | *EU / *GB |
| 3   | 8.634-956.0 | MOTOR, INC, 220-240 50HZ, .5KW        | 1        | PC   | *CN       |
| 11  | 8.627-083.0 | NUT, 5/16-18 HEX NYLOCK SS            | 4        | PC   |           |
| 14  | 8.622-290.0 | PLATE, MOTOR BASE                     | 1        | PC   |           |
| 9   | 8.629-115.0 | PULLEY, MICRO-V, 1.80 OD              | 1        | PC   |           |
| 18  | 8.633-287.0 | RUN CAPACITOR 6 UF                    | 1        | PC   |           |
| 7   | 8.629-327.0 | SCREW, 1/4-20 X .625 HHCS GR8.8 ZNPLT | 7        | PC   |           |
| 2   | 8.629-338.0 | SCREW, 5/16-18 X .75 CARR             | 4        | PC   |           |
| 17  | 8.627-486.0 | SCREW, M8 X 20 HHMS                   | 4        | PC   |           |
| 19  | 8.633-288.0 | START CAPACITOR 50 UF                 | 1        | PC   |           |
| 8   | 8.622-378.0 | Threaded pin M4X8                     | 2        | PC   |           |
| 6   | 8.617-334.0 | WASHER, 1/4 SPL SS                    | 7        | PC   |           |
| 5   | 8.601-063.0 | WASHER, 1/4 SS                        | 7        | PC   |           |
| 12  | 8.601-067.0 | WASHER, 5/16 FLT SS                   | 4        | PC   |           |
| 15  | 8.613-728.0 | WASHER, M8 FLT STL DIN125A ZNPLT      | 4        | PC   |           |
| 16  | 8.613-731.0 | WASHER, M8 SPL                        | 4        | PC   |           |