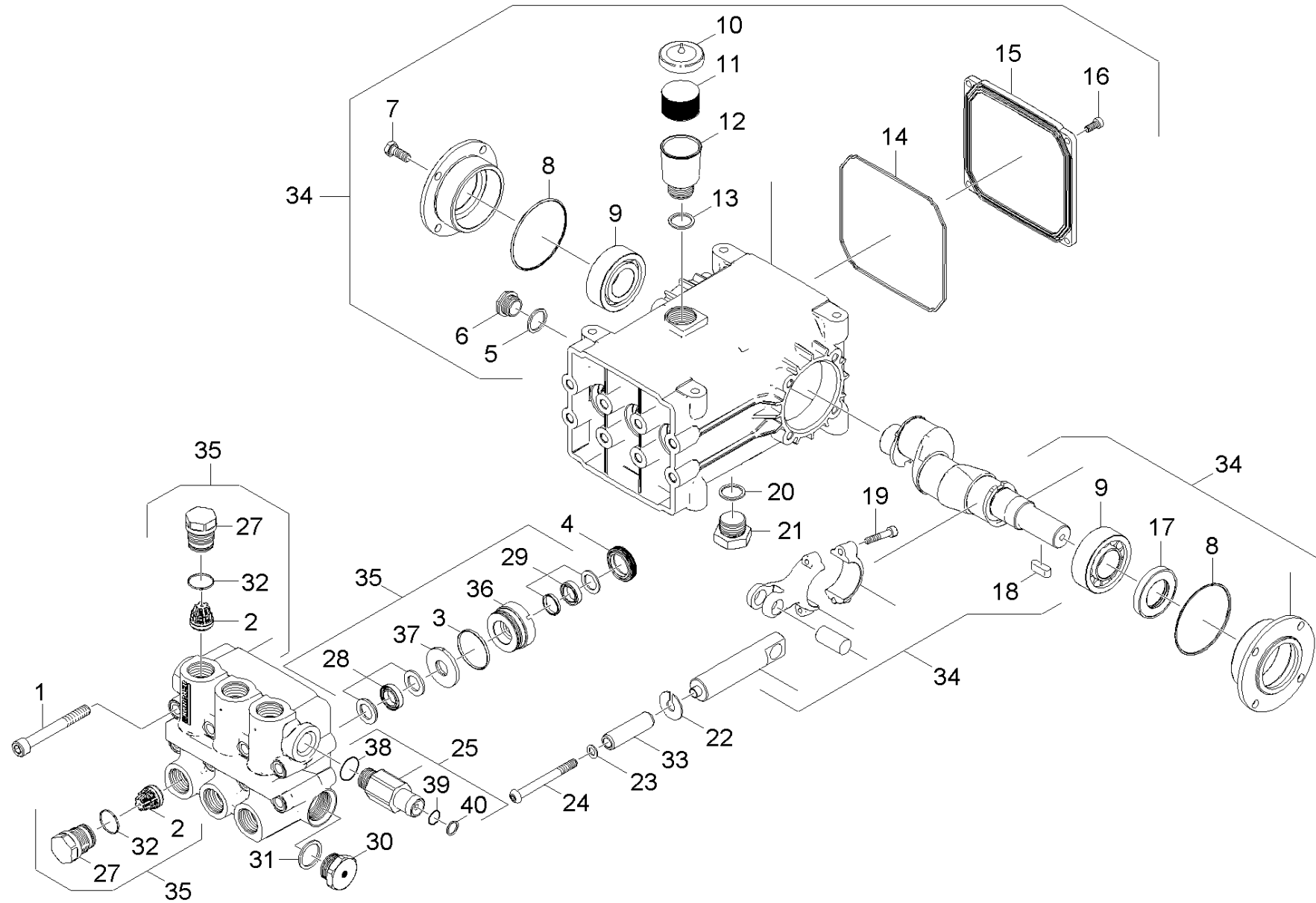


21 Piston

Overview technical documents/Professional/Industrial cleaning systems/Maximum pressure cleaners/HD 9/50-4 (1.367-156.0)/Spare parts list HD 9/50-4 400V/20 Pump set/21 Piston



21 Piston

Overview technical documents/Professional/Industrial cleaning systems/Maximum pressure cleaners/HD 9/50-4 (1.367-156.0)/Spare parts list HD 9/50-4 400V/20 Pump set/21 Piston

Rez.daļas/nodil.pakļ.daļas	Poz.	Materiāla Nr.	Nosaukums	Daudzums	Pārdoš. vienība
	0	3.533-134.0	Pump set complete Hub25 D14	1.000	ST
X	1	7.306-807.0	Cylinder head screw M10x85-8.8-A3E ISO4	8.000	ST
X-X	2	2.885-158.0	Spare part set valve	2.000	ST
X-X	3	6.362-377.0	Gredzenblīve 38,0 X 2,0-NBR 70	3.000	ST
X-X	4	6.367-032.0	Rotary shaft seal 24X 35-NBR	3.000	ST
	5	6.362-585.0	seal	1.000	ST
	6	5.411-062.0	Vītņtapa	1.000	ST
	7	7.304-397.0	Hexagonal head screw M8x20-8.8-A2E ISO	8.000	ST
	8	6.362-887.0	Gredzenblīve 65,0 X 2,5	2.000	ST
X	9	6.401-384.0	Cylindere bearing NJ 2206 E P/C3	2.000	ST
X-X	10	5.064-457.0	Cover qusty grey SAE 90	1.000	ST
	11	5.132-107.0	Plug	1.000	ST
	12	5.070-194.0	Tank	1.000	ST
	13	6.362-168.0	o ring seal	1.000	ST
X	14	6.363-257.0	O-Ring seal	1.000	ST
	15	5.064-154.0	Cover	1.000	ST
	16	7.306-030.0	Screw M 6x14-A2-70 DIN 7984	4.000	ST
X-X	17	6.367-099.0	Rotary shaft seal 52x30	1.000	ST
X	18	7.318-038.0	Parallel key 8x7x40-C45R DIN 6885	1.000	ST
	19	7.306-024.0	Cylinder head screw M6x30 -8.8-A2E ISO4	6.000	ST
X-X	20	6.363-319.0	O-Ring seal 21,5X3,2	1.000	ST
	21	5.411-177.0	Screw plug	1.000	ST
X-X	22	5.116-327.0	Washer lift 25 D14	3.000	ST
X-X	23	5.116-370.0	Joint ring	3.000	ST
X-X	24	7.306-259.0	Screw M6x70 -A4-70 ISO 7380	3.000	ST

21 Piston

Overview technical documents/Professional/Industrial cleaning systems/Maximum pressure cleaners/HD 9/50-4 (1.367-156.0)/Spare parts list HD 9/50-4 400V/20 Pump set/21 Piston

Rez.daļas/nodil.pakļ.dajas	Poz.	Materiāla Nr.	Nosaukums	Daudzums	Pārdoš. vienība
X-X	25	4.590-095.0	Safety valve 64 MPa	1.000	ST
	27	5.583-204.0	Valve screw	6.000	ST
X-X	28	6.365-538.0	Blīvju komplekts	3.000	ST
X-X	29	6.365-539.0	Blīvju komplekts	3.000	ST
	30	5.409-609.0	Drain plug 1"	1.000	ST
	31	6.363-437.0	O-Ring seal 30x3	1.000	ST
X-X	32	6.363-513.0	O-Ring seal 14x2 PUR 94	6.000	ST
X-X	33	5.111-044.0	Sleeve D14	3.000	ST
X	34	3.626-014.0	Gear Hub 25 D14	1.000	ST
	35	4.550-936.0	Cylinder head complete D14	1.000	ST
X-X	36	5.511-011.0	Screw plug D14	3.000	ST
X-X	37	5.112-819.0	Bush D14	3.000	ST
	38	6.362-079.0	Gredzenblīve 18,0 X 2,5	1.000	ST
X-X	39	6.362-170.0	ring o seal	1.000	ST
	40	7.312-073.0	Washer 8 -CuZn ISO 7092	1.000	ST
X-X	100	2.885-140.0	Spare part set	1.000	ST