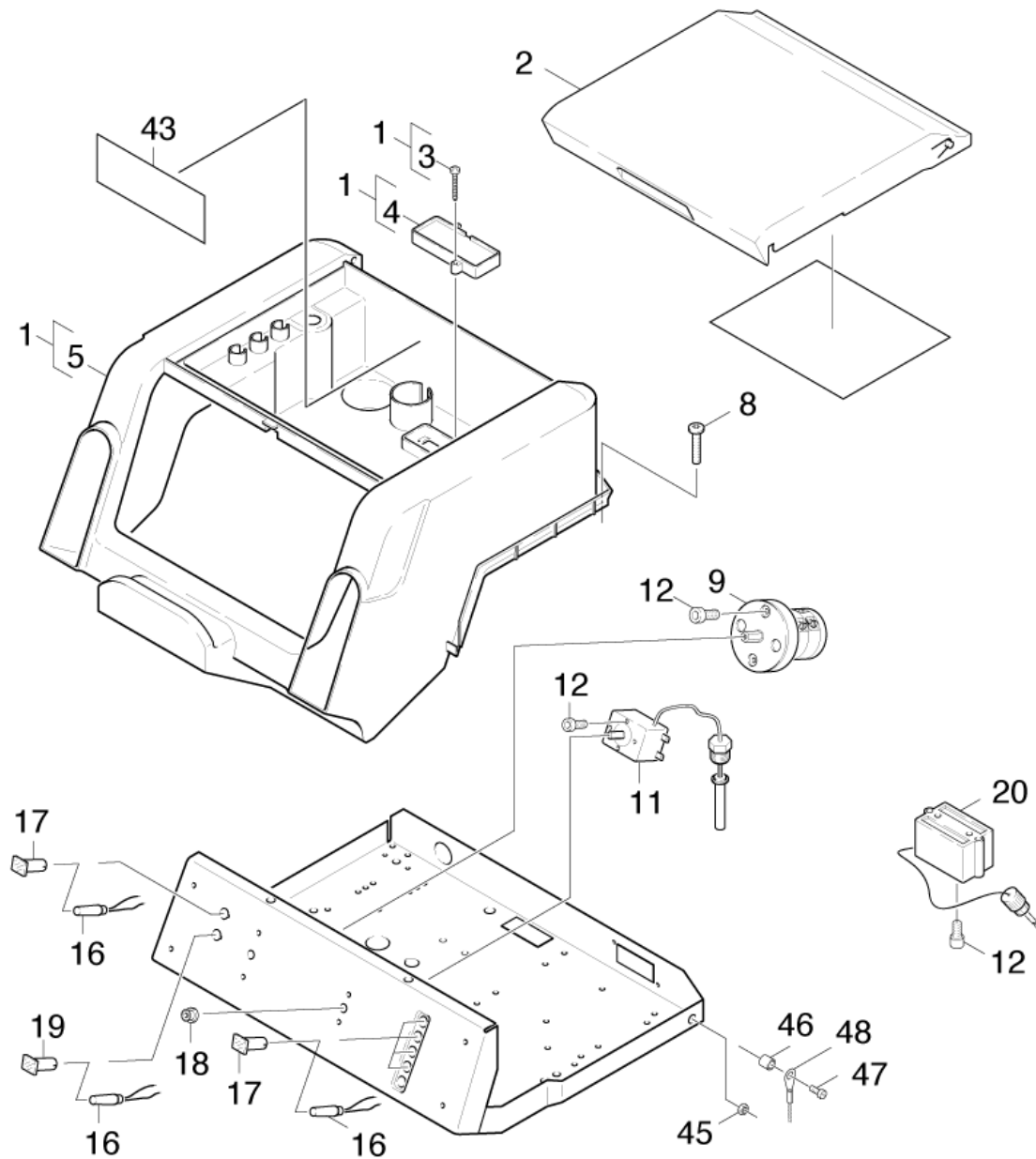


61 Cover

Professional \ High pressure cleaner hotwater \ Electric motor \ HDS 2000 SUPER *EU \ Spare parts list HDS 2000 SUPER \ Electric control box \ Cover



61 Cover

Professional \ High pressure cleaner hotwater \ Electric motor \ HDS 2000 SUPER *EU \ Spare parts list HDS 2000 SUPER \ Electric control box \ Cover

KÄRCHER

POS	Article no.	Description	Quantity	Unit
4	5.063-723.0	Cover	1	PC
5	5.066-862.0	Cover	1	PC
1	4.066-230.0	Cover complete	1	PC
2	5.031-372.3	Flap packaged	1	PC
45	7.311-003.0	Hexagon nut M6 -8-A2E ISO 4032	2	PC
43	5.382-086.0	Label service	1	PC
17	6.651-316.0	Lens housing red	5	PC
19	6.651-365.0	Lens housing yellow	1	PC
16	4.651-026.0	Pilot lamp only for replacement	6	PC
18	5.365-152.0	Profile gasket	1	PC
48	6.431-139.0	Rope	2	PC
20	6.685-941.0	Safety thermostat exhaust gas	1	PC
3	7.303-096.0	Screw 4x22-ST-10.9-R2R (IN6RD)	2	PC
12	7.306-056.0	Screw M4x8 -8.8-R2R (In6Rd)	4	PC
10	7.306-058.0	Screw M 4X 12- 8.8-R2R K-IN6RD	2	PC
8	7.303-045.0	Screw M5x55 -St-ZNBHL (In6Rd)	2	PC
47	7.306-090.0	Screw M6x16 -8.8-P2R (In6Rd)	2	PC
46	5.110-177.0	Sleeve	2	PC
9	6.631-081.0	Switch	1	PC
11	6.685-868.0	Thermostat	1	PC