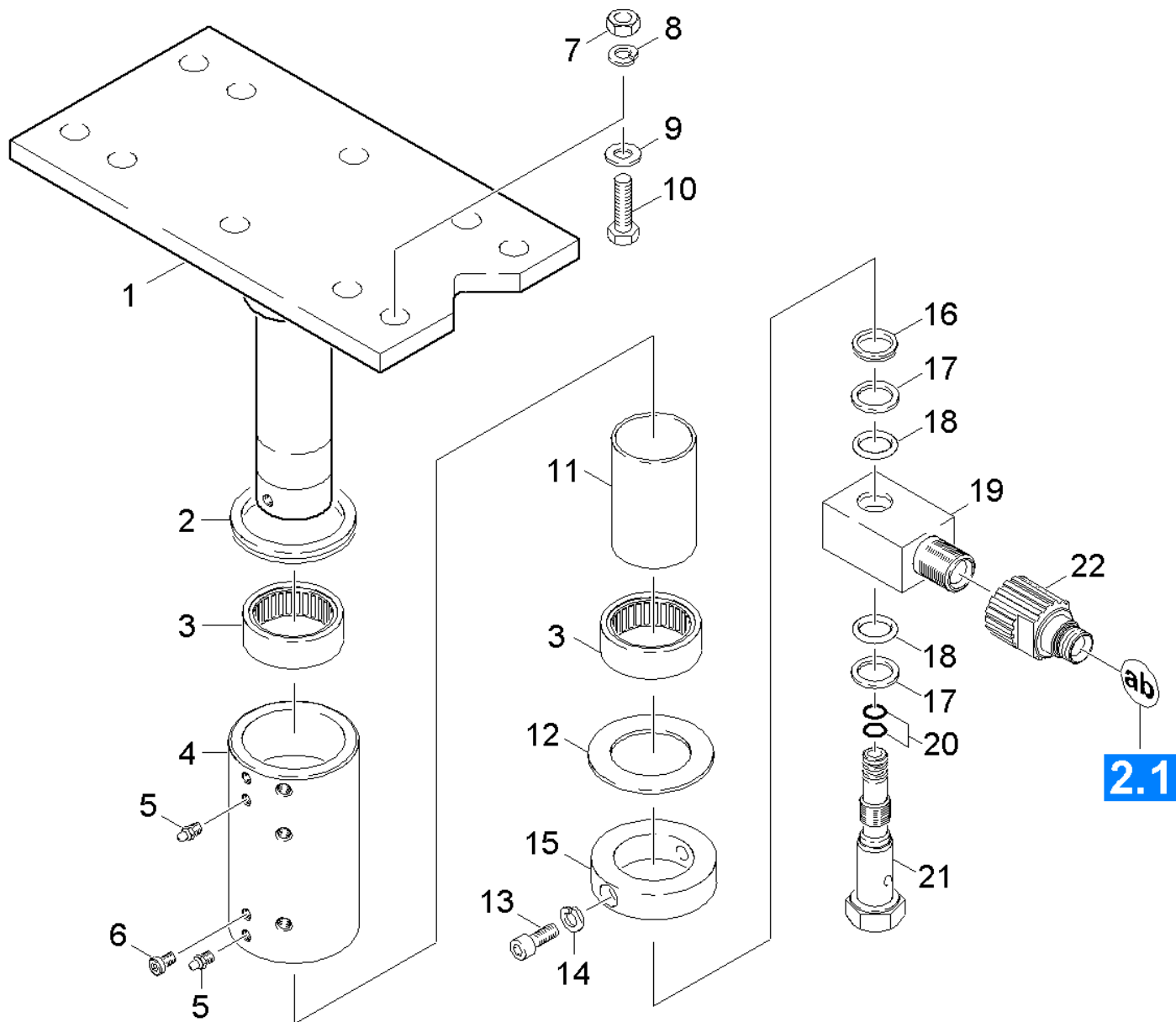


## 11 Swivel joint high-pressure

Overview technical documents/Professional/Systems engineering/Self-service appliances/Washing area equipment side brush (2.642-752.0)/Spare parts list washing area equipment/100 Cover carousel VA/101 Swivel joint/11 Swivel joint high-pressure



## 11 Swivel joint high-pressure

Overview technical documents/Professional/Systems engineering/Self-service appliances/Washing area equipment side brush (2.642-752.0)/Spare parts list washing area equipment/100 Cover carousel VA/101 Swivel joint/11 Swivel joint high-pressure

Rez.daļas/nodil.pakļ.daļas	Poz.	Materiāla Nr.	Nosaukums	Daudzums	Pārdoš. vienība	no sēr. Nr..	līdz sēr. Nr.
	1	4.052-000.0	Stand RAL 7012	1.000	ST		
	1	4.052-123.0	Stand RAL 9010	1.000	ST	0000000000	0000000000
X-X	2	6.365-325.0	Joint ring D53-58	1.000	ST	0000000000	0000000000
X-X	3	6.401-107.0	Needle bearing	2.000	ST	0000000000	0000000000
	4	5.128-063.0	Tube	1.000	ST	0000000000	0000000000
X-X	5	7.417-003.0	Grease-nipple A M6-5.8-A3F DIN71412	2.000	ST	0000000000	0000000000
	6	7.306-191.0	Screw M6x10 -A2-70 (In6Rd)	2.000	ST	0000000000	0000000000
	7	7.311-006.0	Hexagon nut M10 -8-A3E ISO 4032	4.000	ST	0000000000	0000000000
	8	7.313-005.0	Spring washer B10-FSt-A3E DIN 127	4.000	ST	0000000000	0000000000
	9	7.312-262.0	Washer 10 -100HV-A3E ISO 7094	4.000	ST	0000000000	0000000000
	10	7.304-032.0	Hexagonal head screw M10x40-8.8-A3E ISO	4.000	ST	0000000000	0000000000
	11	5.026-853.0	Tube	1.000	ST	0000000000	0000000000
X	12	5.115-403.0	Washer	1.000	ST	0000000000	0000000000
	13	7.306-144.0	Cylinder head screw M 8x20-A2-70 ISO 47	2.000	ST	0000000000	0000000000
X	14	7.313-015.0	Spring washer B 8-1.4310 DIN 127	2.000	ST	0000000000	0000000000
	15	5.110-342.0	Sleeve	1.000	ST	0000000000	0000000000
X-X	16	6.365-324.0	Blīvgredzens D19-21	1.000	ST	0000000000	0000000000
X-X	17	6.362-531.0	Balstgredzens 19X25,4	2.000	ST	0000000000	0000000000
X-X	18	6.362-530.0	Blīvgredzens 20,22x3,5	2.000	ST	0000000000	0000000000
X-X	19	5.402-381.0	Skrūvveida savienojums	1.000	ST	0000000000	0000000000
	20	6.362-528.0	Gredzenblīve 9,5 X 2,0	2.000	ST	0000000000	0000000000
X	21	5.402-073.0	Skrūvveida savienojums	1.000	ST		
X-X	22	4.401-076.0	Rotating coupler	1.000	ST	0000000000	0000000000