

## **Spare parts list**

(1.348-111.0) WD 4 \*EU-II

## Table of contents

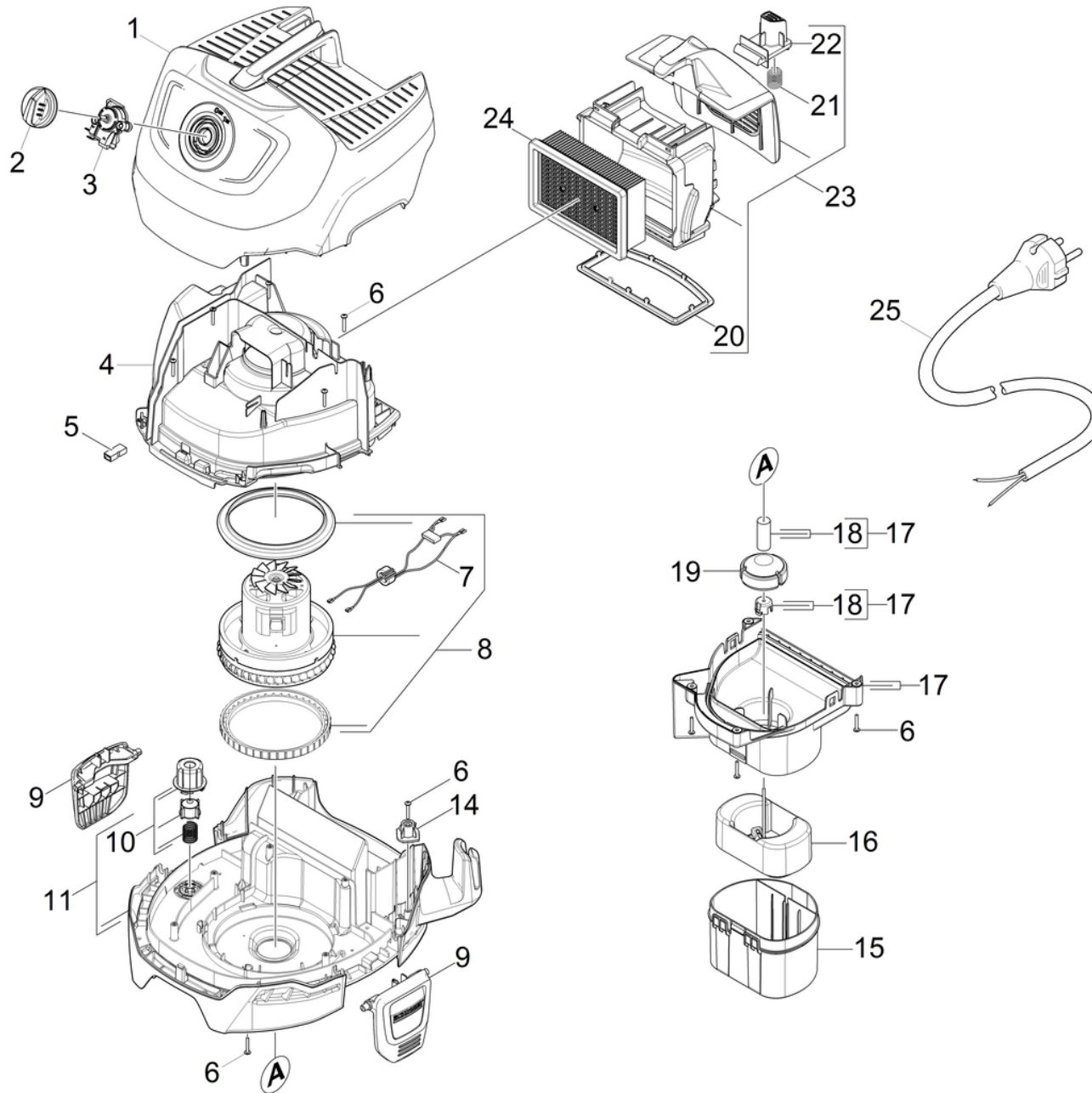
---

WD 4 *EU-II (1.348-111.0)	3
10 Appliance individual parts	4
8 Vacuum motor complete for replacement Cu (4.490-017.0)	6
11 Engine holder complete WD 4 (9.002-035.0)	8
17 Cover float complete WD 4 (9.002-033.0)	10
23 Filter box complete WD 4 (9.002-037.0)	12
20 Tank	14
1 Tank plastics for replacement 20L YBBY- (4.628-018.3)	16
30 Accessories	18
1 Suction hose complete for replacement (4.441-091.0)	20

WD 4 \*EU-II (1.348-111.0)

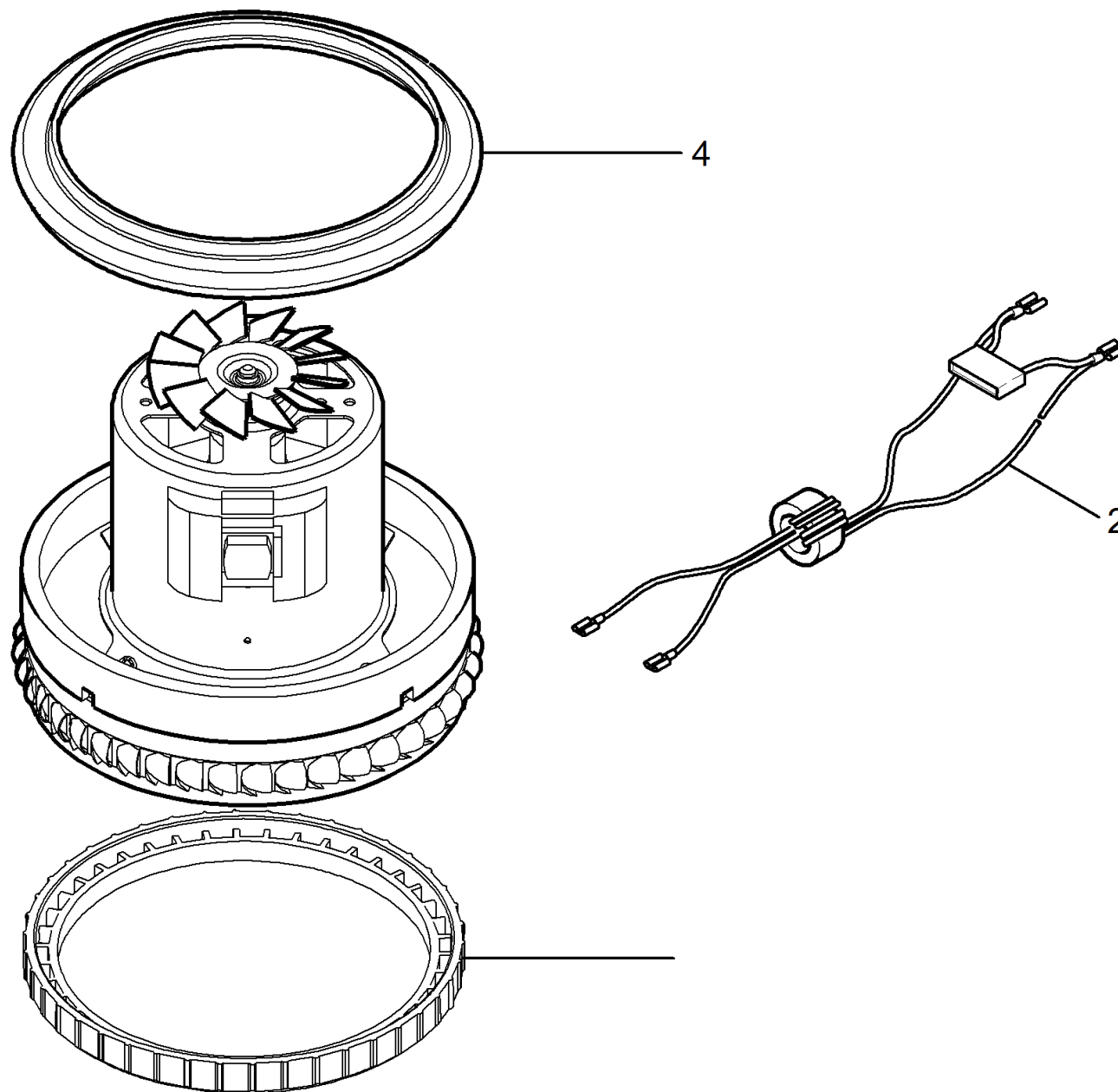
---

<b>POS</b>	<b>Description</b>	<b>Quantity</b>	<b>Unit</b>
10	Appliance individual parts	1	PC
20	Tank	1	PC
30	Accessories	1	PC



## 10 Appliance individual parts

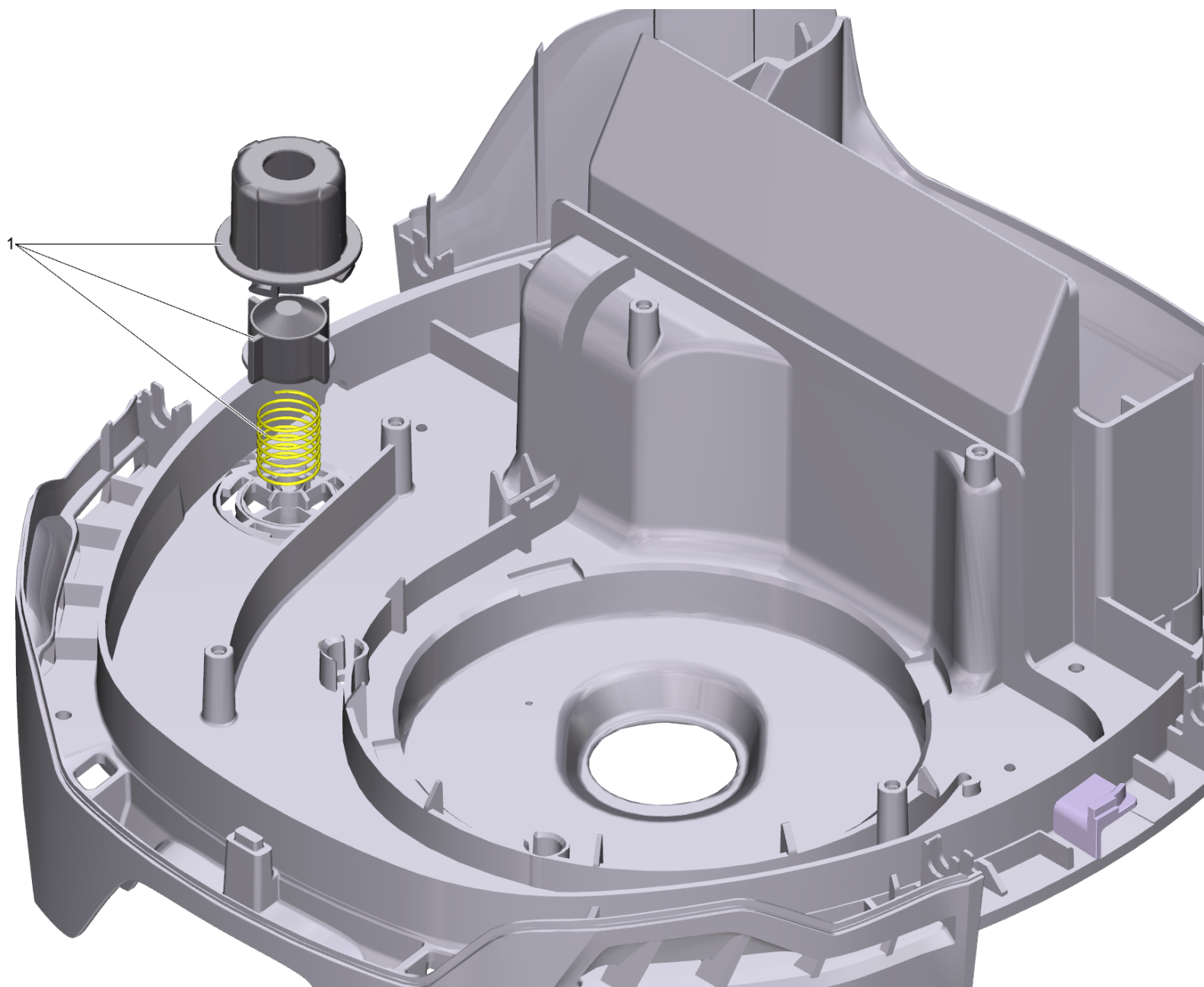
POS	Article no.	Description	Quantity	Unit	Remark
1	9.002-044.0	Cover neutrally spare part WD 4	1	PC	
2	9.037-750.0	Rotary switch black	1	PC	
3	9.002-408.0	Electrical box for replacement WD 4	1	PC	
4	9.038-268.0	Air circulation	1	PC	
5	9.085-094.0	Connection	1	PC	
6	6.303-150.0	Screw 4,2x 22	12	PC	
7	9.084-343.0	Cable ferrite ring complete KCL	1	PC	
8	4.490-017.0	Vacuum motor complete for replacement Cu	1	PC	
9	5.628-085.0	Closure black WD 4	2	PC	
10	9.002-036.0	Safety valve complete WD 4	1	PC	
11	9.002-035.0	Engine holder complete WD 4	1	PC	
14	9.036-997.0	Strain relief	1	PC	
15	9.038-264.0	Float cage	1	PC	
16	9.002-032.0	Float complete WD 4	1	PC	
17	9.002-033.0	Cover float complete WD 4	1	PC	
18	9.002-034.0	Seal float complete WD 4	1	PC	
19	9.038-070.0	Float valve	1	PC	
20	9.079-080.0	Fbox Sealing	1	PC	
21	9.047-111.0	Spring WD	1	PC	
22	9.038-282.0	Fbox button WD4	1	PC	
23	9.002-037.0	Filter box complete WD 4	1	PC	
24	2.863-005.0	Flat-pleated filter WD	1	PC	
25	9.084-154.0	Cable H05V-F 2X0,75 A2204 *EU	1	PC	*EU
25	9.084-301.0	Cable 5,5m 2x0,75 *CH	1	PC	*CH



8 Vacuum motor complete for replacement Cu (4.490-017.0)

---

<b>POS</b>	<b>Article no.</b>	<b>Description</b>	<b>Quantity</b>	<b>Unit</b>
2	9.084-343.0	Cable ferrite ring complete KCL	1	PC
3	5.365-324.0	Bearing motor height compensation	1	PC
4	9.079-024.0	Seal motor above	1	PC



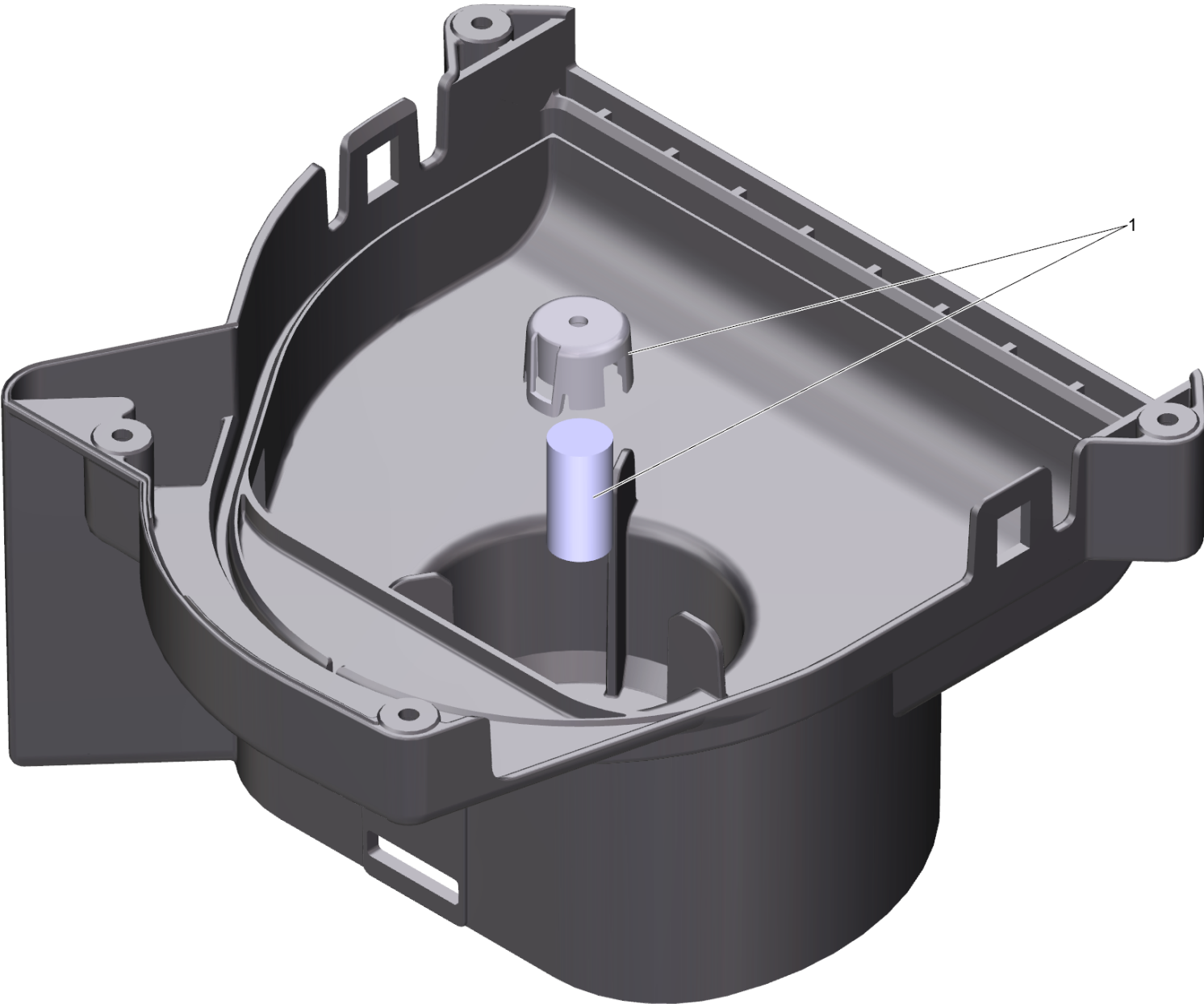


11 Engine holder complete WD 4 (9.002-035.0)

---

POS	Article no.	Description	Quantity	Unit
40	9.002-036.0	Safety valve complete WD 4	1	PC

---

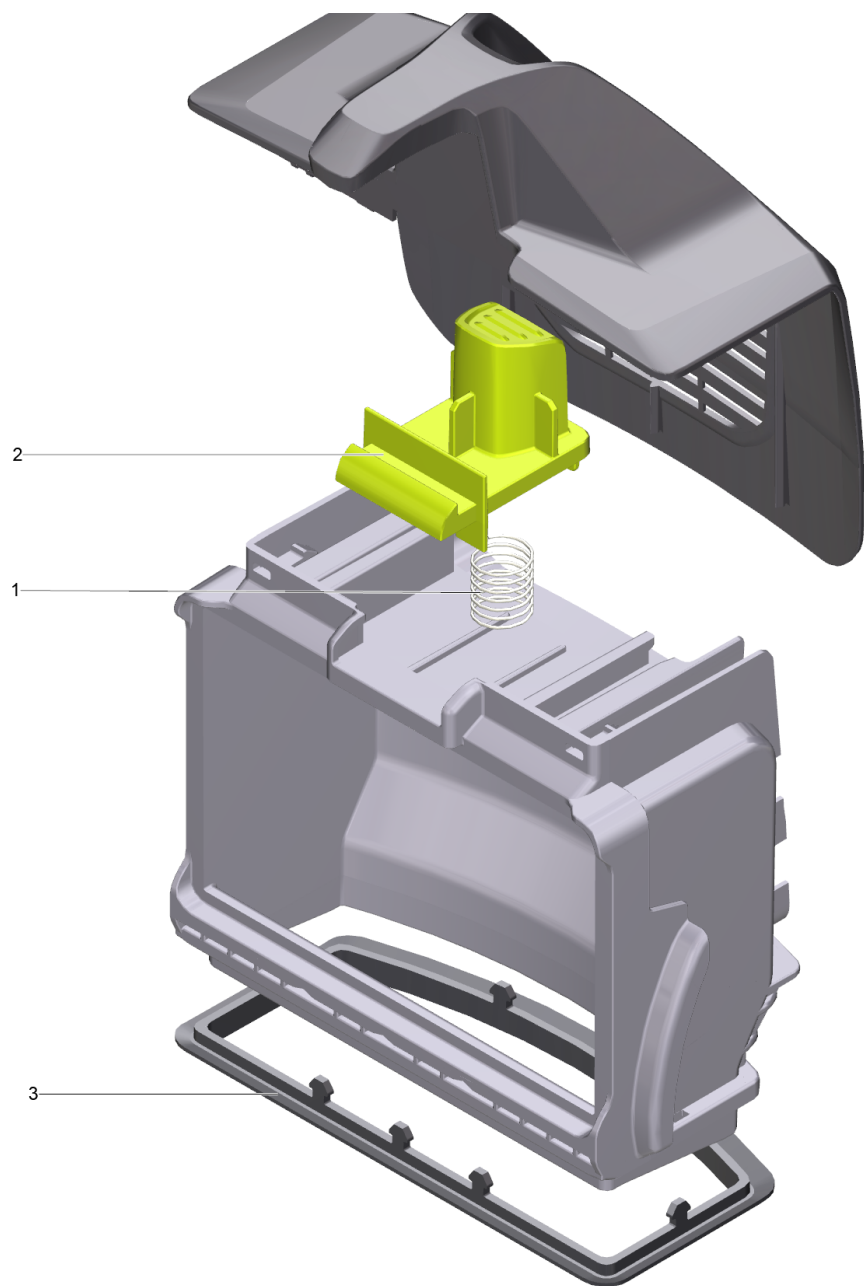


17 Cover float complete WD 4 (9.002-033.0)

---

<b>POS</b>	<b>Article no.</b>	<b>Description</b>	<b>Quantity</b>	<b>Unit</b>
1	9.002-034.0	Seal float complete WD 4	1	PC

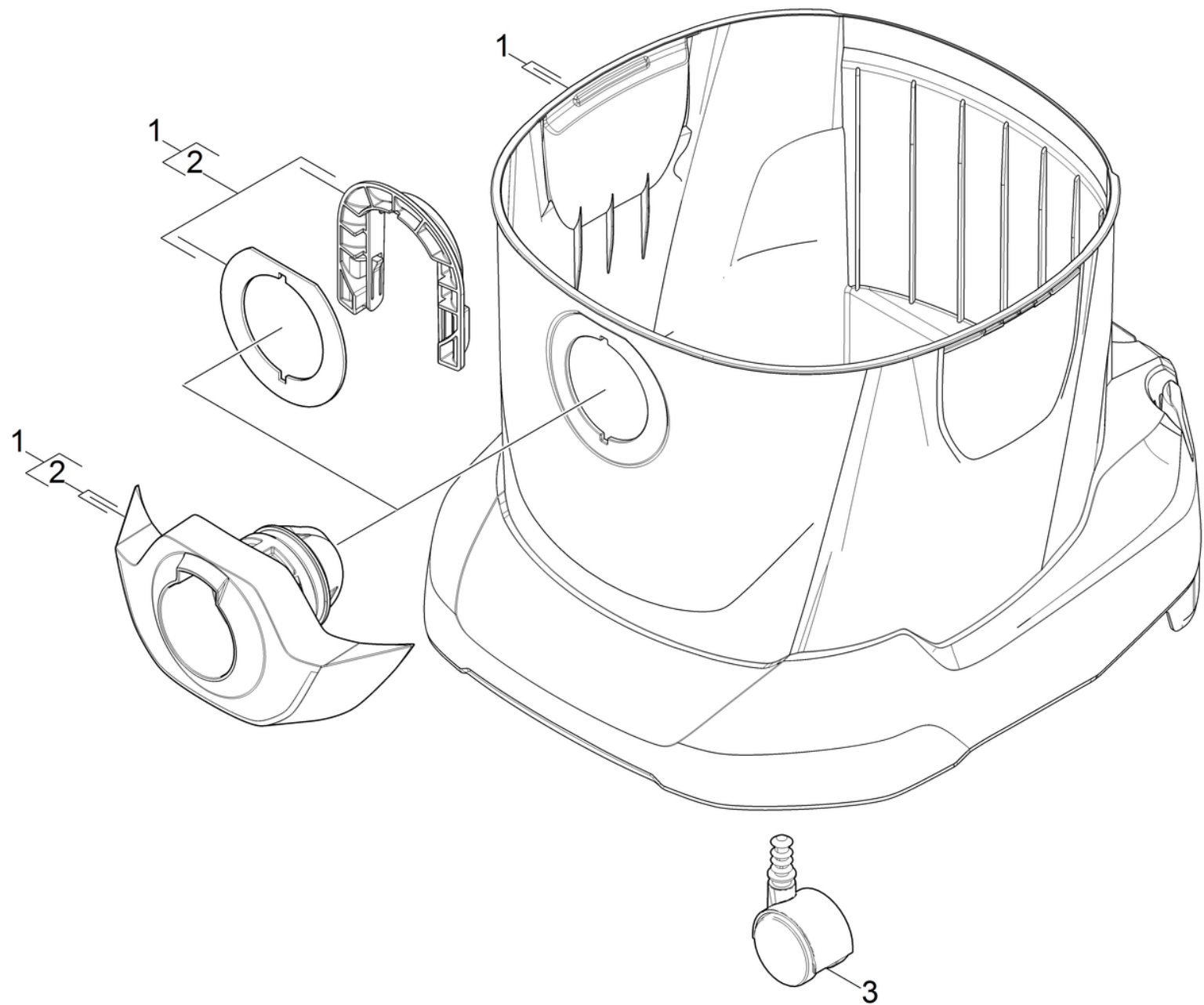
---



23 Filter box complete WD 4 (9.002-037.0)

---

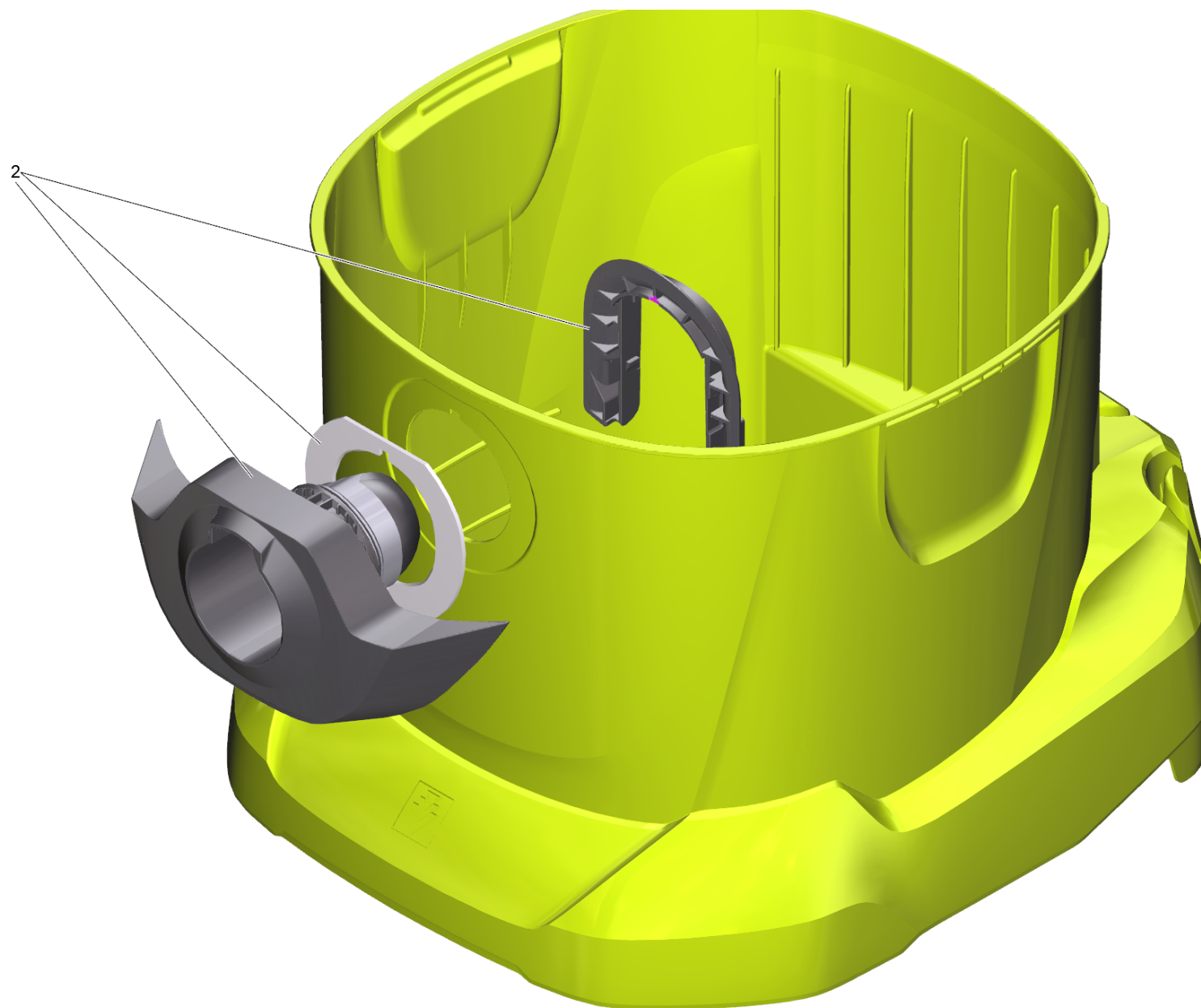
<b>POS</b>	<b>Article no.</b>	<b>Description</b>	<b>Quantity</b>	<b>Unit</b>
1	9.047-111.0	Spring WD	1	PC
2	9.038-282.0	Fbox button WD4	1	PC
3	9.079-080.0	Fbox Sealing	1	PC



## 20 Tank

---

<b>POS</b>	<b>Article no.</b>	<b>Description</b>	<b>Quantity</b>	<b>Unit</b>
1	4.628-018.3	Tank plastics for replacement 20L YBBY-	1	PC
2	2.885-872.0	Set suction connection packaged	1	PC
3	6.435-353.0	Castor D 42	4	PC



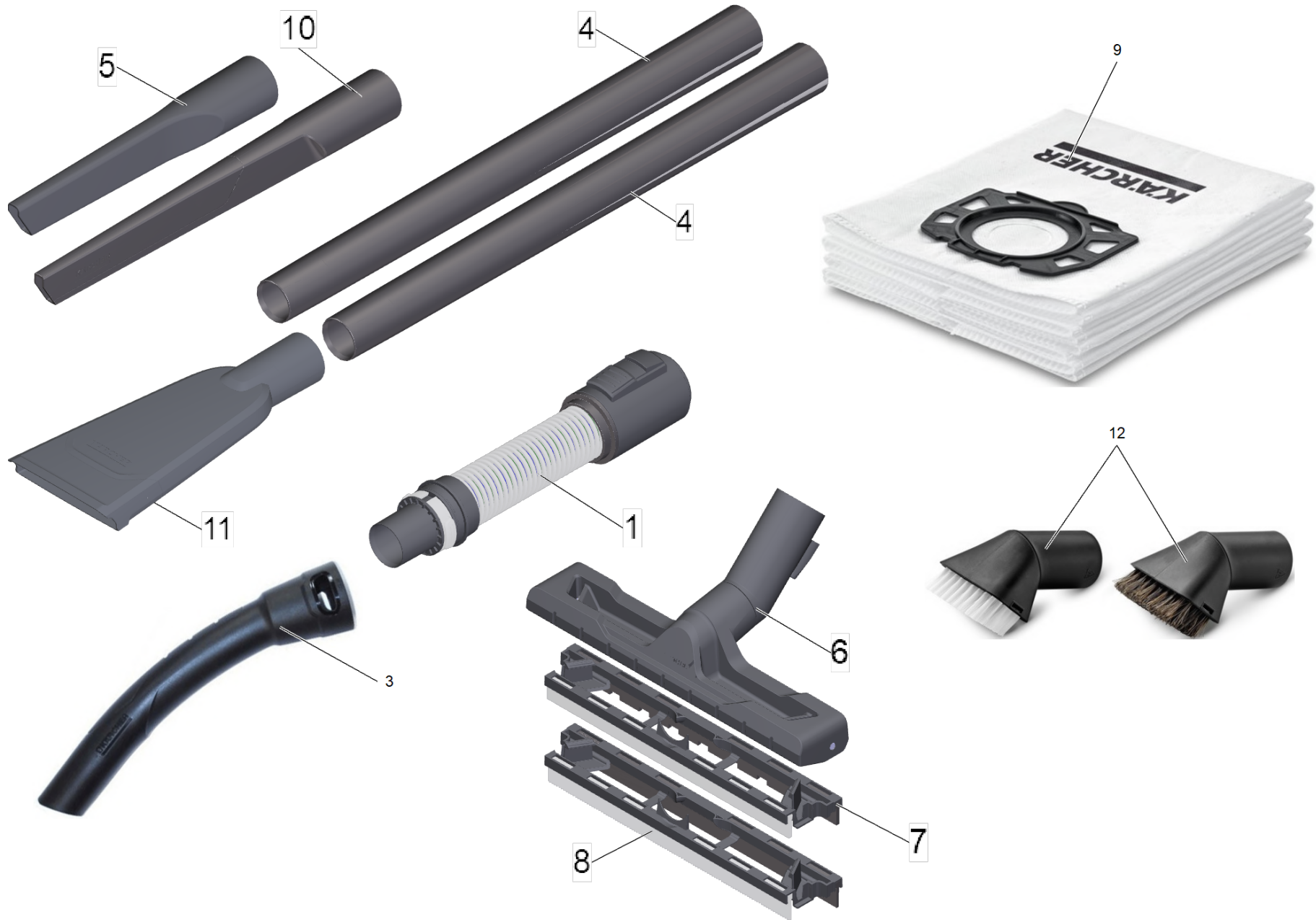


1 Tank plastics for replacement 20L YBBY- (4.628-018.3)

---

<b>POS</b>	<b>Article no.</b>	<b>Description</b>	<b>Quantity</b>	<b>Unit</b>
2	2.885-872.0	Set suction connection packaged	1	PC

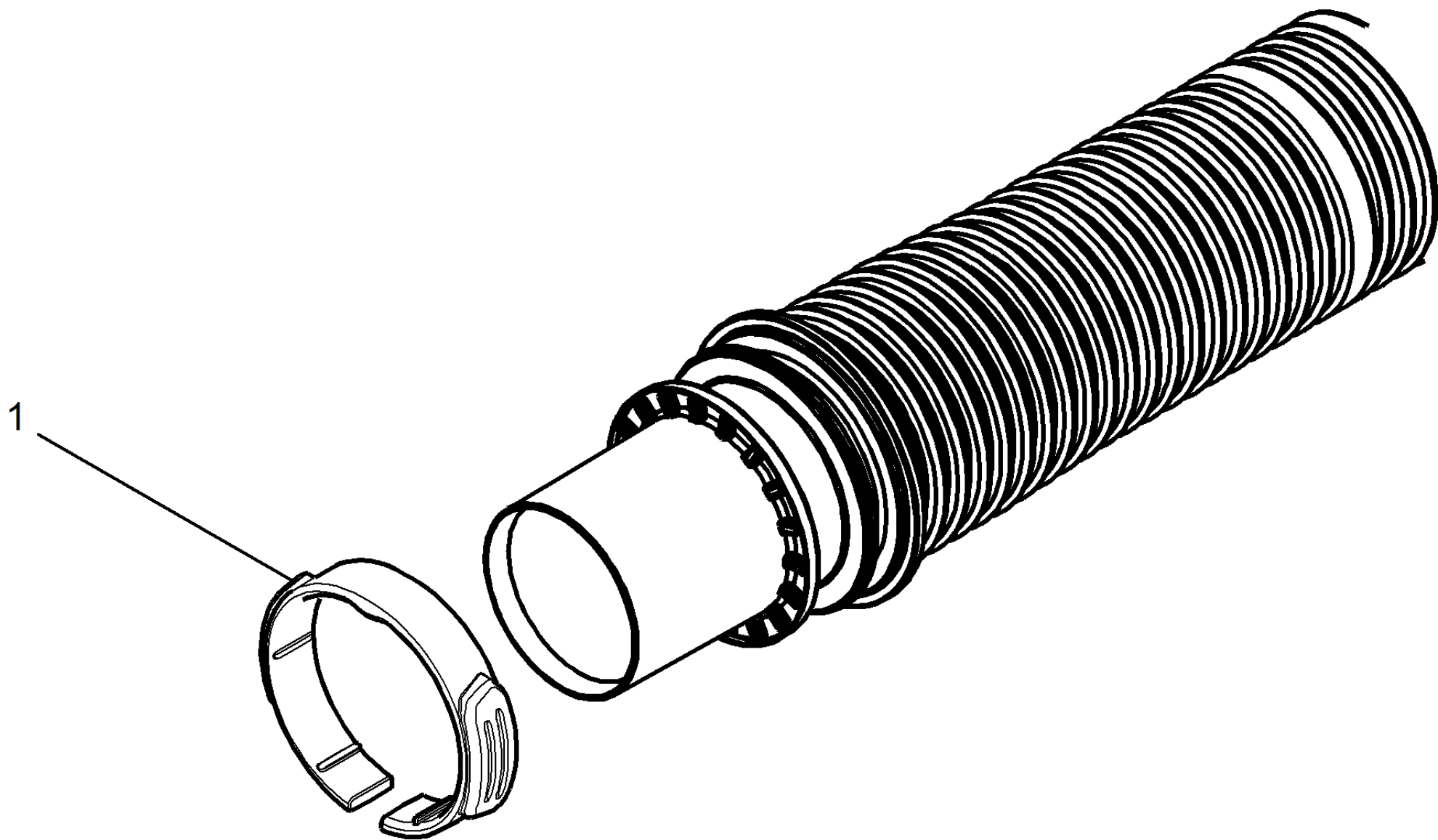
---



## 30 Accessories

---

POS	Article no.	Description	Quantity	Unit
1	4.441-091.0	Suction hose complete for replacement	1	PC
3	2.863-012.0	Hand grip suction hose	1	PC
4	2.863-308.0	Extension suction tube WD ID 35	2	PC
5	6.900-385.0	Crevice nozzle DN35	1	PC
6	4.629-013.0	Floor tool clip packaged	1	PC
7	4.629-015.0	Insert dry floor nozzle packaged	1	PC
8	4.629-014.0	Insert wet floor nozzle packaged	1	PC
9	2.863-006.0	Filter bag fleece WD 4St.	1	PC
10	2.863-306.0	Crevice nozzle extra long WD	1	PC
11	2.863-316.0	Car nozzle	1	PC
12	2.863-221.0	Suction brush kit WD 2pc.	1	PC
13	2.863-221.0	Suction brush kit WD 2pc.	1	PC



1 Suction hose complete for replacement (4.441-091.0)

---

<b>POS</b>	<b>Article no.</b>	<b>Description</b>	<b>Quantity</b>	<b>Unit</b>
1	6.645-688.0	Spring washer suction hose	1	PC

---