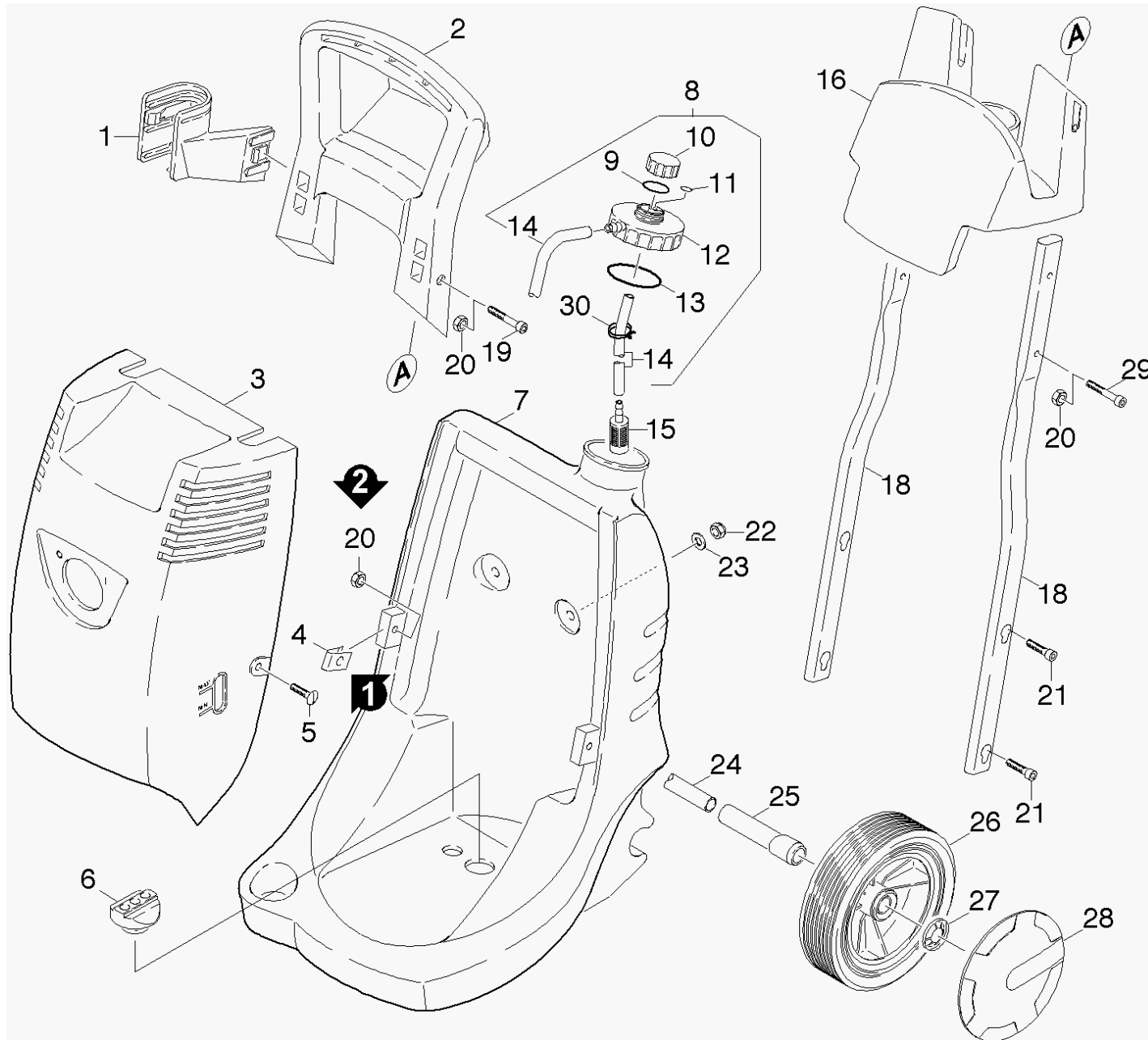


10 Individual parts

Professional \ High pressure cleaner cold water \ Electric motor \ HD 650 *EU \ Spare parts list HD 650 230V 1 PH 50 H \ Individual parts



10 Individual parts

Professional \ High pressure cleaner cold water \ Electric motor \ HD 650 *EU \ Spare parts list HD 650 230V 1 PH 50 H \ Individual parts



POS	Article no.	Description	Quantity	Unit	Foot note text
1	5.044-082.0	Holder pistol	1.000	ST	
2	5.034-542.0	Shearing shackle	1.000	ST	
3	5.067-046.0	Cover only for replacement	1.000	ST	
Item text1: / 1.150-803.0 / -804.0 / -805.0					
3	5.067-046.0	Cover only for replacement	1.000	ST	
4	6.310-053.0	Putting nut	2.000	ST	
5	6.304-099.0	Saucer-head screw M 6x 18-4.8-R2R	2.000	ST	
6	5.057-068.0	Support	1.000	ST	
7	5.060-682.0	Housing	1.000	ST	
8	4.580-337.0	Proportioning valve chemistry	1.000	ST	
9	6.362-411.0	O-Ring seal 25,0 X 2,0 -NBR 70	1.000	ST	
10	5.321-473.0	Handhold chemistry	1.000	ST	
11	6.362-386.0	O-Ring seal 5,0 x 1,5-NBR 80	1.000	ST	
12	5.063-822.0	Cap of a tank	1.000	ST	
13	6.362-094.0	O-Ring seal 55,0 X 2,0	1.000	ST	
14	6.388-216.0	Hose DN 5	1.000	M	TO ORDER AS CUT GOODS
15	5.731-652.0	Filter with weight	1.000	ST	
16	5.031-475.0	Moulded part	1.000	ST	
16	5.031-867.0	Moulded part	1.000	ST	
Item text1: / 1.150-803.0 / -804.0 / -805.0					
18	5.029-427.0	Tube	2.000	ST	
19	7.306-024.0	Cylinder head screw M6x30 -8.8-A2E ISO4	2.000	ST	
20	7.311-003.0	Hexagon nut M6 -8-A2E ISO 4032	4.000	ST	
21	7.306-041.0	Cylinder head screw M8x20 -8.8-A2E ISO	4.000	ST	
22	7.311-427.0	Hexagon nut M8 -04-A2E DIN 985	2.000	ST	
23	7.312-277.0	Washer 8-200HV-A2E ISO7093-1	2.000	ST	
24	5.028-336.0	Tube	1.000	ST	
25	5.110-715.0	Sleeve	1.000	ST	
26	6.435-196.0	Wheel D 180	2.000	ST	
27	6.343-168.0	Lock washer	2.000	ST	
28	6.435-197.0	Wheel cap zinc yellow	2.000	ST	
28	6.435-301.0	Wheel cap neutrally	1.000	ST	
Item text1: / 1.150-803.0 / -804.0 / -805.0					

10 Individual parts

Professional \ High pressure cleaner cold water \ Electric motor \ HD 650 *EU \ Spare parts list HD 650 230V 1 PH 50 H \ Individual parts



POS	Article no.	Description	Quantity	Unit	Foot note text
29	7.306-129.0	Screw M6x40 -8.8-R3R (In6Rd)	2.000	ST	
30	6.389-567.0	Hose clip	1.000	ST	