

## **Spare parts list**

(1.324-103.0) K 4 Premium Full Control Home \*EU

## Table of contents

---

K 4 Premium Full Control Home *EU (1.324-103.0)	3
201 Spare parts list K4 Premium FC Home*EU (5.974-150.0)	4
10 Spare part set G 145 Q Full Control (2.885-478.0)	6
1 G 145 FC	7
11 VP 145 FC Vario Power Jet 026 (4.760-024.0)	8
12 Dirt blaster 0285 (4.764-068.0)	10
13 VP 145 Vario Power Jet (packaged) (2.642-725.0)	12
14 DB 145 Dirt Blaster (packaged) (2.642-728.0)	14
17 T 350 T-Racer Surface Cleaner (2.643-252.0)	16
100 Spare parts list T 350 (5.972-948.0)	17
1 Single-step jet pipe extension (2.643-240.0)	19
3 Bearing support kpl.	21
1 Adapter complete	23
4 Spare part set nozzles 015 (2.885-105.0)	25
109 Pump set K4 FC *EU kpl	27
110 Thrust guidance complete FC K4	29
120 Pump k3 Mod plastic (HR)	31
1 head pump wcm spare part (9.001-999.0)	33
2 pressure piston HR (spare) (9.002-028.0)	35
130 Motor complete FC H70 WCM 3/3.5 (spare) (9.002-416.0)	37
10 Motor complete FC H70 WCM 3/3.5	39
140 Suction connection complete FC (9.013-345.0)	41
150 High-pressure outlet complete K4 FC (9.013-347.0)	43
160 High-pressure outlet inside complete K4 (9.013-355.0)	45
170 E-box K4 FC without PCB EU (RIC) (9.002-417.0)	47
120 Hose reel complete K4 FC Quick Connect	49
13 High pressure hose 16MPa/9 60°C QC B (6.391-794.0)	51
9002 Hose reel FC QC Bayonet complete (9.002-440.0)	53
131 Wheel in pairs FC 1K D160 (9.002-438.0)	55
210 Short spare parts list	57

K 4 Premium Full Control Home \*EU (1.324-103.0)

---

<b>POS</b>	<b>Article no.</b>	<b>Description</b>	<b>Quantity</b>	<b>Unit</b>
201	5.974-150.0	Spare parts list K4 Premium FC Home*EU	1.000	ST
210		Short spare parts list	1.000	ST



## 201 Spare parts list K4 Premium FC Home\*EU (5.974-150.0)

POS	Article no.	Description	Quantity	Unit	Foot note text
10	2.885-478.0	Spare part set G 145 Q Full Control	1.000	ST	
11	4.760-024.0	VP 145 FC Vario Power Jet 026	1.000	ST	
12	4.764-068.0	Dirt blaster 0285	1.000	ST	
13	2.642-725.0	VP 145 Vario Power Jet (packaged)	1.000	ST	
14	2.642-728.0	DB 145 Dirt Blaster (packaged)	1.000	ST	
17	2.643-252.0	T 350 T-Racer Surface Cleaner	1.000	ST	
109		Pump set K4 FC *EU kpl	1.000	ST	
110	9.048-123.0	2K KNOB black	1.000	ST	
111	9.002-436.0	Back housing FC (ric)	1.000	ST	
112	9.038-456.0	Chassis support FC	2.000	ST	
114	9.002-443.0	Front housing FC neutral packed	1.000	ST	
115	9.002-448.0	Telescopic handle ALU bar FC kpl	1.000	ST	SET OF 2 PIECES
120		Hose reel complete K4 FC Quick Connect	1.000	ST	
122	9.002-446.0	Spare part Bumper FC packed	1.000	ST	
123	9.002-423.0	Docking station complete FC	1.000	ST	
125	9.086-221.0	Screw ATF 4.1x22	12.000	ST	
127	9.002-447.0	Spare part Handle FC packed	1.000	ST	
128	9.086-230.0	Screw M4x16 ISO 7045 8.8 Zn/N	2.000	ST	
129	6.303-121.0	Screw 4,0X16,0-ST-VERZ	4.000	ST	
130	5.317-896.0	Bolt stand foot	2.000	ST	
131	9.002-438.0	Wheel in pairs FC 1K D160	1.000	ST	
132	9.002-434.0	Kit Parking Position K5	1.000	ST	
136	9.002-435.0	Accessory net	1.000	ST	
137	9.002-445.0	Top Panel FC spare part packed	1.000	ST	
138	6.465-031.0	Connection 3/4	1.000	ST	
139	6.388-216.0	Hose DN 5	1.000	M	
999	9.038-445.0	Black cover FC 1K wheel D160	2.000	ST	

10 Spare part set G 145 Q Full Control (2.885-478.0)

---

POS	Description	Quantity	Unit
1	G 145 FC	1.000	ST

---

## 1 G 145 FC

---

<b>POS</b>	<b>Article no.</b>	<b>Description</b>	<b>Quantity</b>	<b>Unit</b>
1	2.885-470.0	Spare part set cover battery	1.000	ST
2	5.332-464.0	Pressure spring	1.000	ST





11 VP 145 FC Vario Power Jet 026 (4.760-024.0)

---

<b>POS</b>	<b>Article no.</b>	<b>Description</b>	<b>Quantity</b>	<b>Unit</b>
999	2.640-729.0	O-Ring seal set	1.000	ST

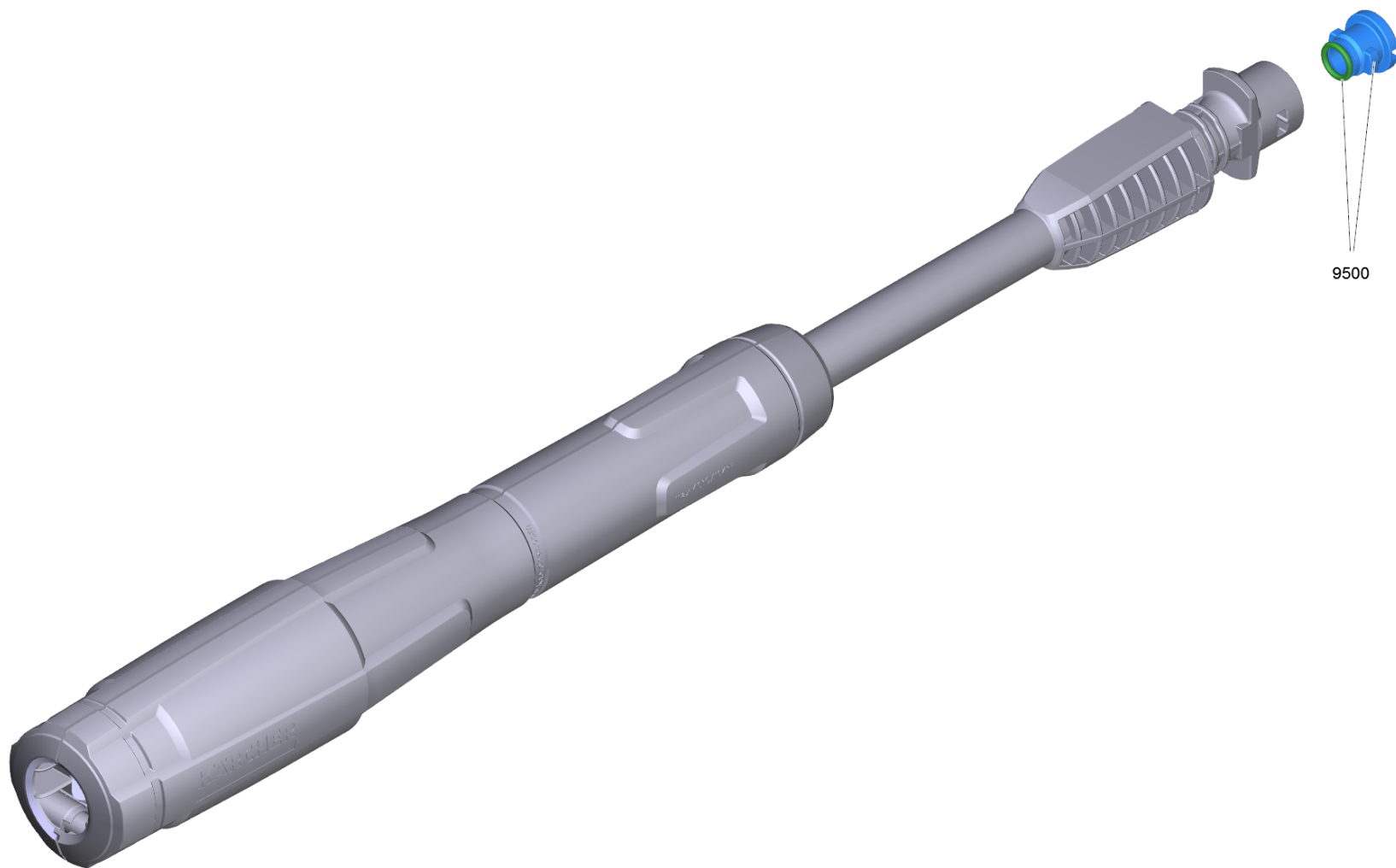
---



12 Dirt blaster 0285 (4.764-068.0)

---

<b>POS</b>	<b>Article no.</b>	<b>Description</b>	<b>Quantity</b>	<b>Unit</b>
999	2.640-729.0	O-Ring seal set	1.000	ST



9500

13 VP 145 Vario Power Jet (packaged) (2.642-725.0)

---

<b>POS</b>	<b>Article no.</b>	<b>Description</b>	<b>Quantity</b>	<b>Unit</b>
9500	2.640-729.0	O-Ring seal set	1.000	ST



14 DB 145 Dirt Blaster (packaged) (2.642-728.0)

---

POS	Article no.	Description	Quantity	Unit
9500	2.640-729.0	O-Ring seal set	1.000	ST

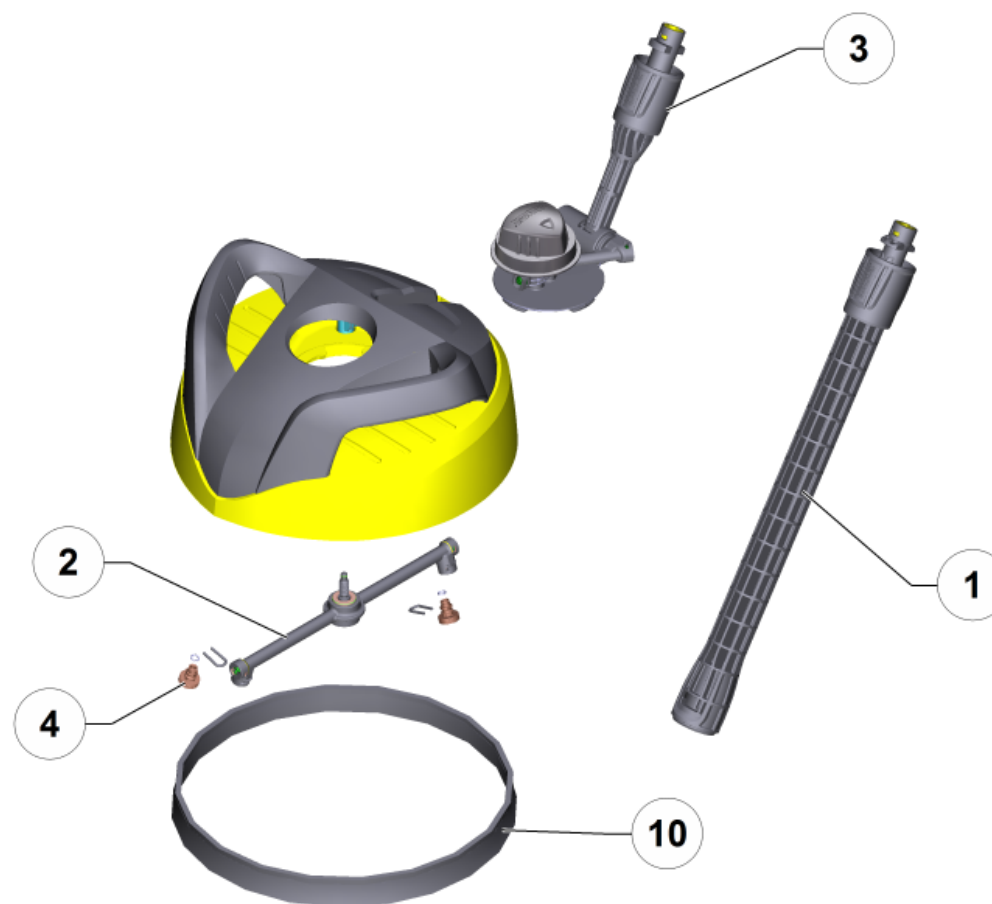
17 T 350 T-Racer Surface Cleaner (2.643-252.0)

---

<b>POS</b>	<b>Article no.</b>	<b>Description</b>	<b>Quantity</b>	<b>Unit</b>
100	5.972-948.0	Spare parts list T 350	1.000	ST

---





100 Spare parts list T 350 (5.972-948.0)

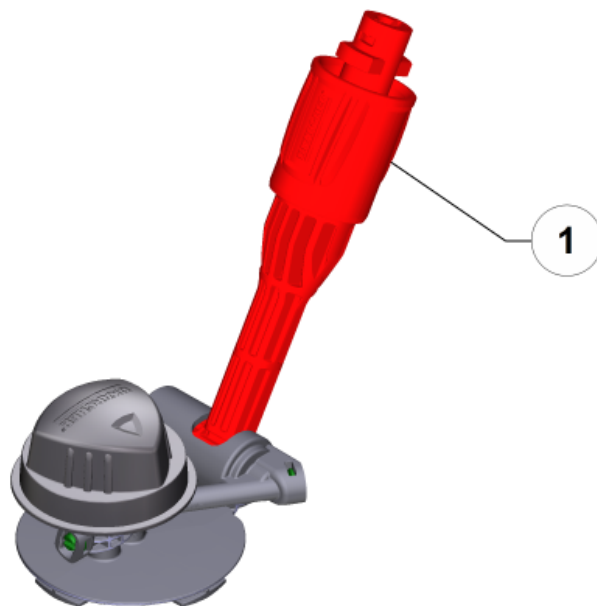
POS	Article no.	Description	Quantity	Unit
1	2.643-240.0	Single-step jet pipe extension	2.000	ST
2	2.885-407.0	Spare part set rotor complete	1.000	ST
3		Bearing support kpl.	1.000	ST
4	2.643-335.0	Spare parts nozzles Set T 300/T 350	1.000	ST
4	2.885-105.0	Spare part set nozzles 015	1.000	ST
10	6.371-086.0	Strip brush	1.000	ST



1 Single-step jet pipe extension (2.643-240.0)

---

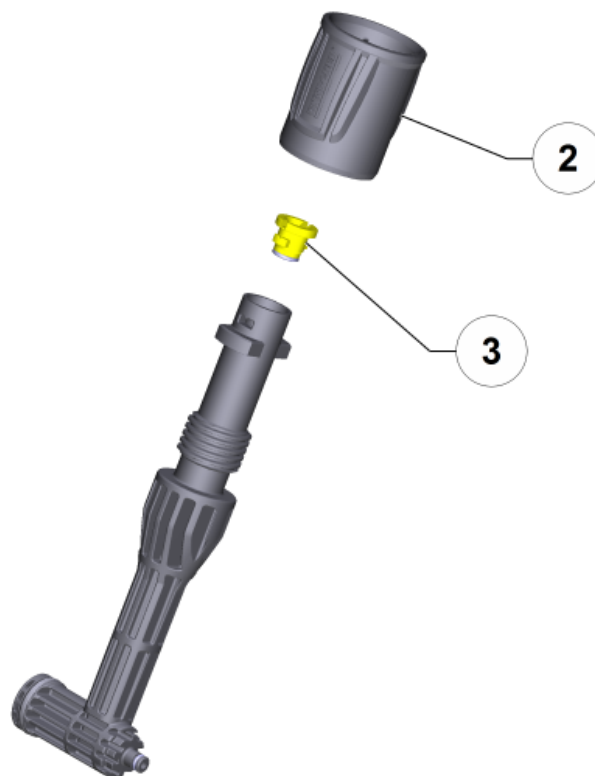
<b>POS</b>	<b>Article no.</b>	<b>Description</b>	<b>Quantity</b>	<b>Unit</b>
3	2.640-729.0	O-Ring seal set	1.000	ST
8	5.332-464.0	Pressure spring	1.000	ST
10	5.310-160.0	Nut Kaercher	1.000	ST



3 Bearing support kpl.

---

POS	Description	Quantity	Unit
1	Adapter complete	1.000	ST

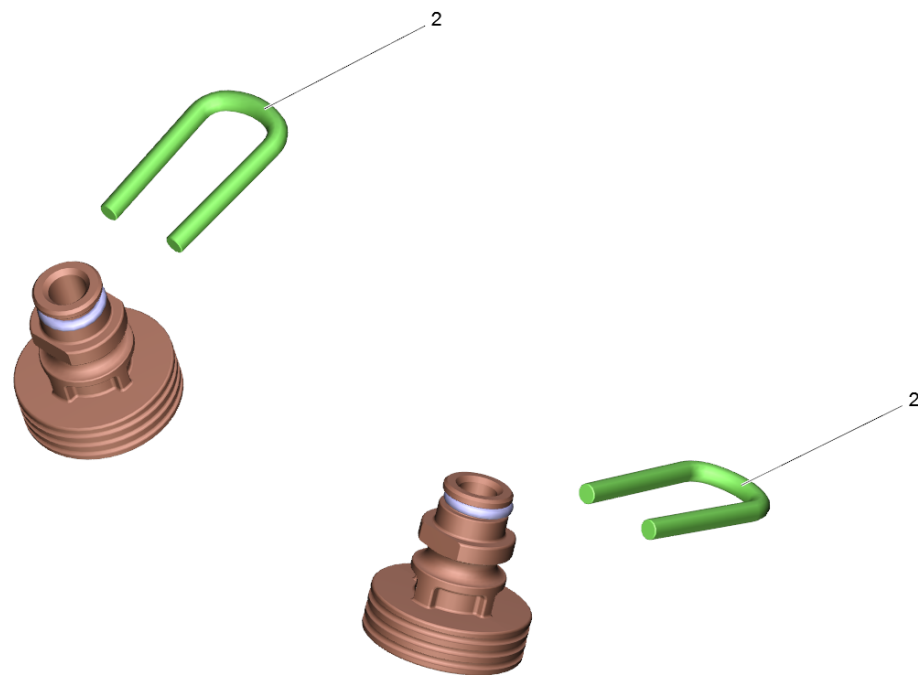


## 1 Adapter complete

---

<b>POS</b>	<b>Article no.</b>	<b>Description</b>	<b>Quantity</b>	<b>Unit</b>
2	5.310-160.0	Nut Kaercher	1.000	ST
3	2.640-729.0	O-Ring seal set	1.000	ST

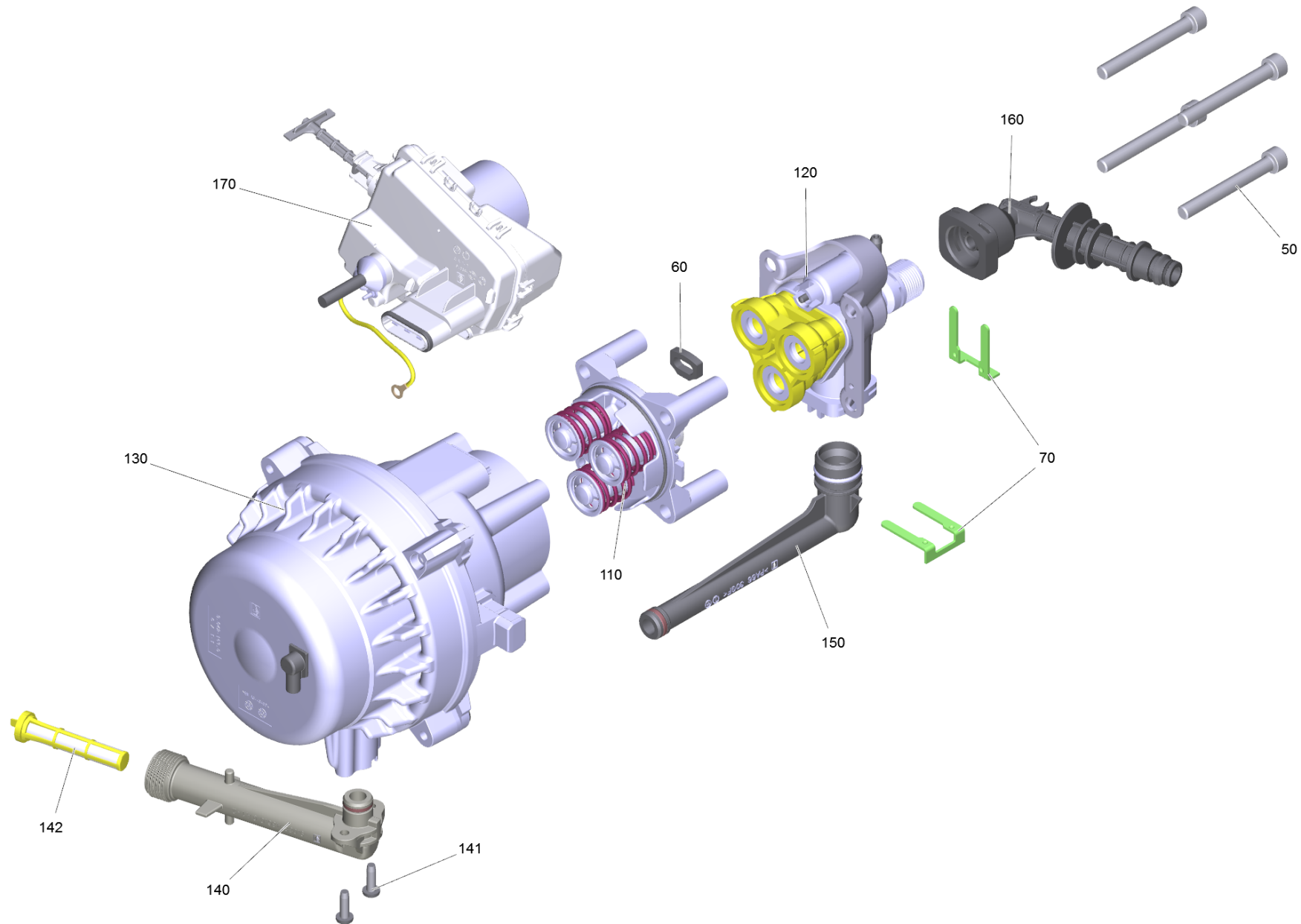




4 Spare part set nozzles 015 (2.885-105.0)

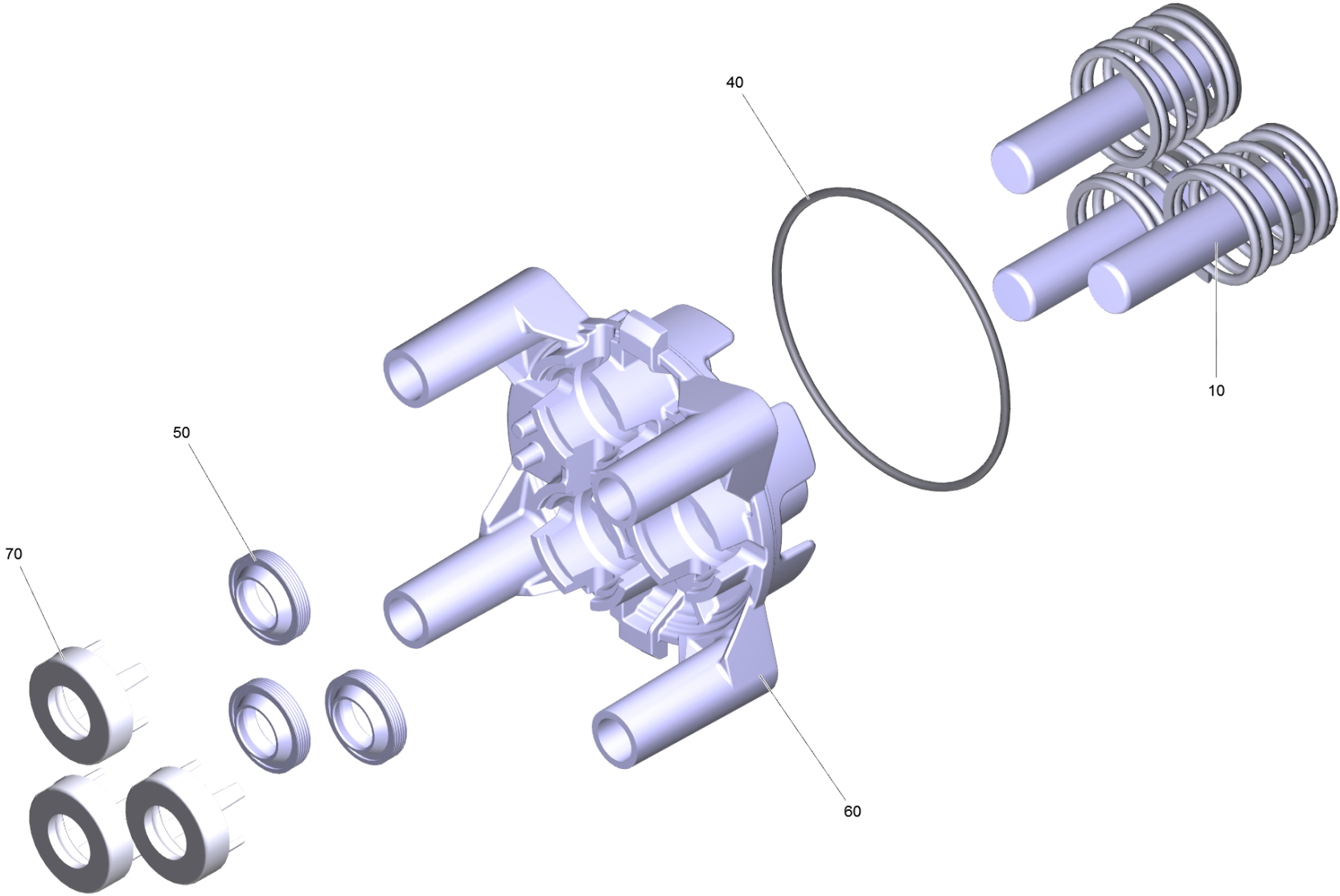
---

POS	Article no.	Description	Quantity	Unit
2	5.037-151.0	Clamp	2.000	ST



109 Pump set K4 FC \*EU kpl

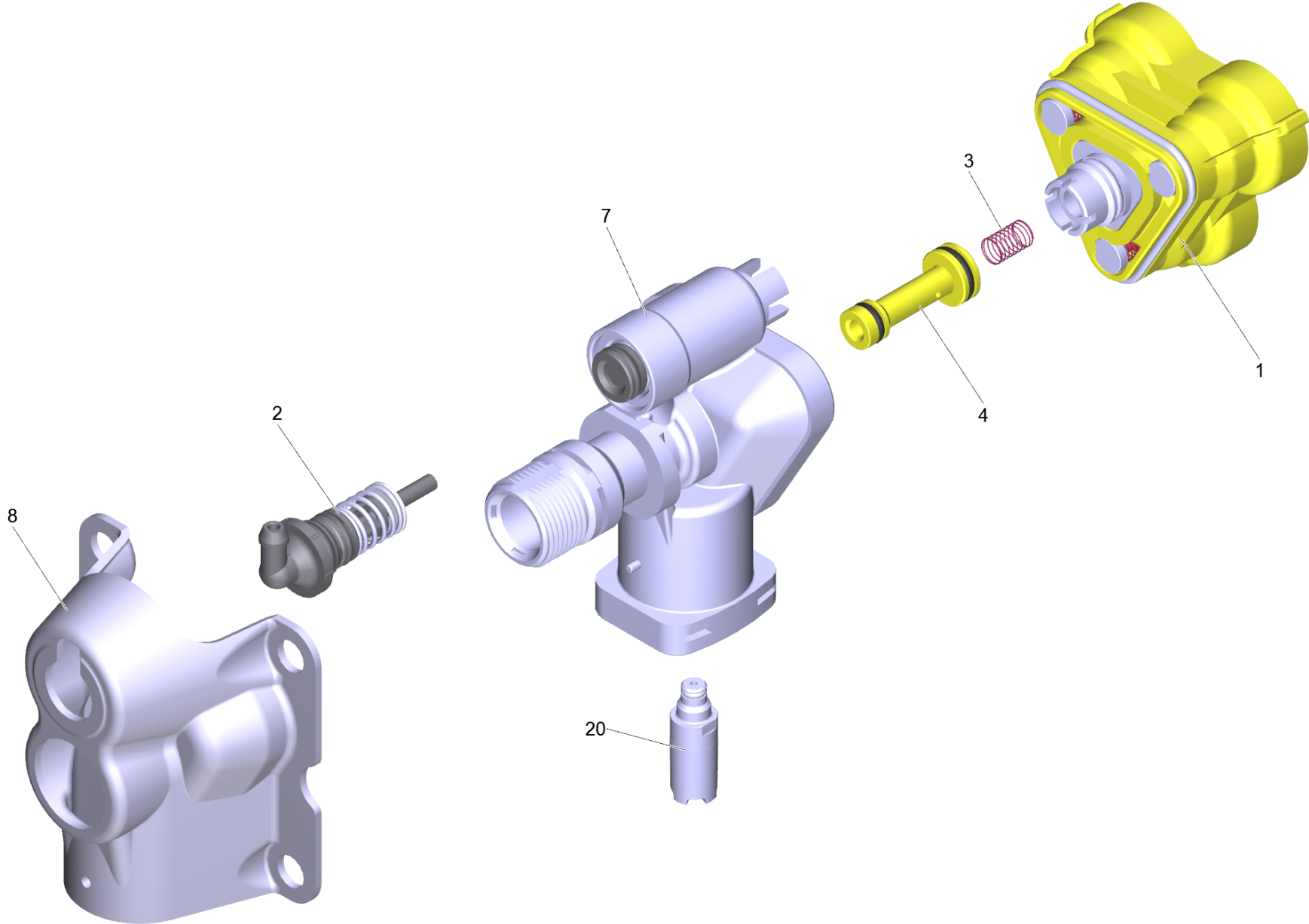
POS	Article no.	Description	Quantity	Unit
50	9.086-200.0	Screw M 8x55 Class 8.8	4.000	ST
60	9.048-071.0	Spacer - Seal	1.000	ST
70	9.039-148.0	Metal fork	2.000	ST
110		Thrust guidance complete FC K4	1.000	ST
120		Pump k3 Mod plastic (HR)	1.000	ST
130	9.002-416.0	Motor complete FC H70 WCM 3/3.5 (spare)	1.000	ST
140	9.013-345.0	Suction connection complete FC	1.000	ST
141	7.303-076.0	Sheet metal screw ST4,8X13 -St-R2R (In6	2.000	ST
142	5.731-021.0	Fine filter K4/K5	1.000	ST
150	9.013-347.0	High-pressure outlet complete K4 FC	1.000	ST
160	9.013-355.0	High-pressure outlet inside complete K4	1.000	ST
170	9.002-417.0	E-box K4 FC without PCB EU (RIC)	1.000	ST
180	6.964-092.0	Viscous oil 50ml	1.000	ST



## 110 Thrust guidance complete FC K4

---

<b>POS</b>	<b>Article no.</b>	<b>Description</b>	<b>Quantity</b>	<b>Unit</b>
10	9.001-927.0	Piston complete	1.000	ST
40	9.080-425.0	O-Ring seal 60 x 2 NBR 70	1.000	ST
50	9.078-015.0	Grooved ring	3.000	ST
60	9.042-149.0	Pistons guide pump K4 FC machined	1.000	ST
70	9.038-428.0	Supportring 6,7 mm	3.000	ST

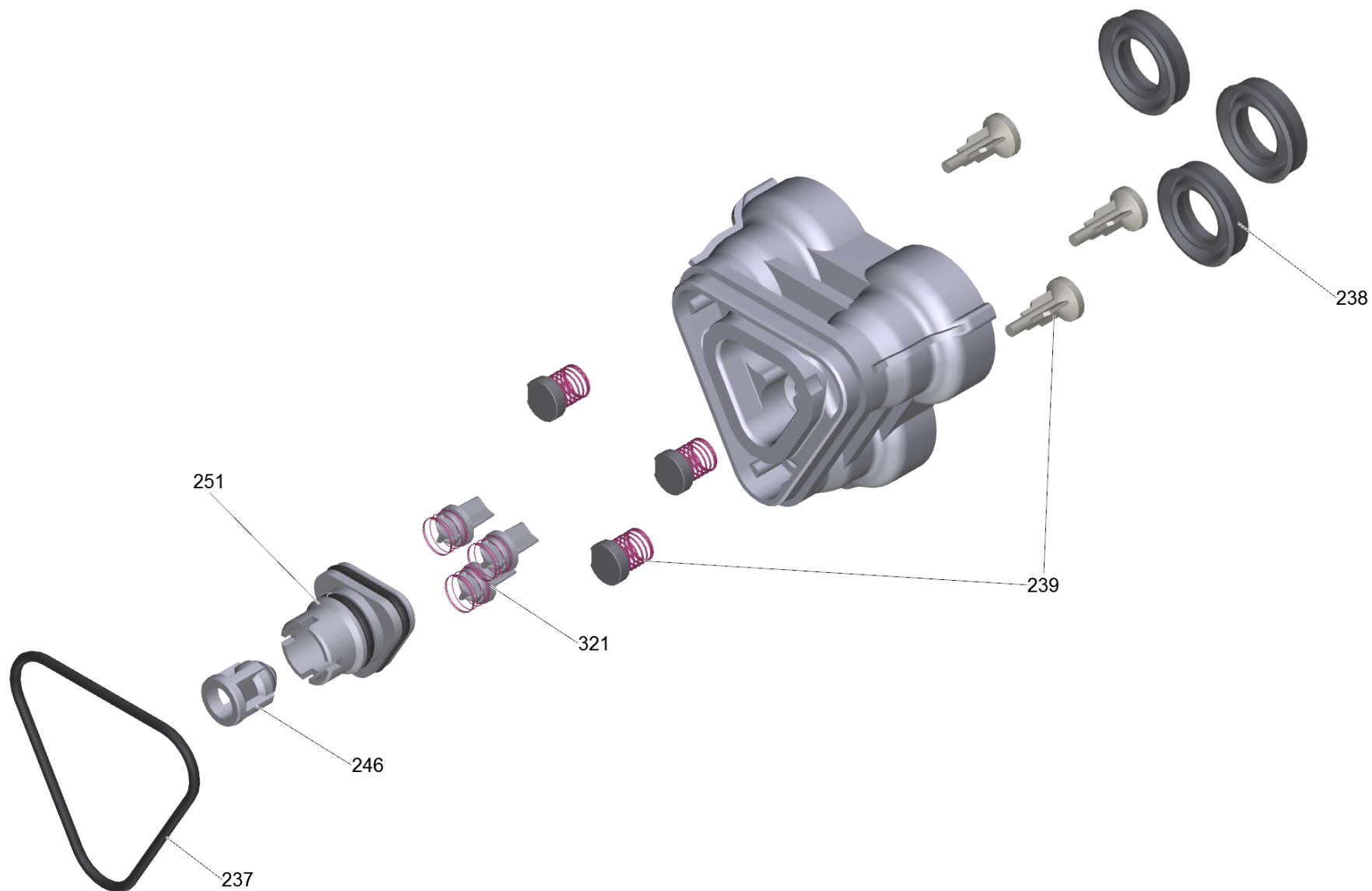


## 120 Pump k3 Mod plastic (HR)

---

<b>POS</b>	<b>Article no.</b>	<b>Description</b>	<b>Quantity</b>	<b>Unit</b>
1	9.001-999.0	head pump wcm spare part	1.000	ST
2	9.002-028.0	pressure piston HR (spare)	1.000	ST
3	9.047-026.0	Spring	1.000	ST
4	9.002-017.0	Venturi nozzle D.1,45	1.000	ST
7	9.002-029.0	manifold HR + pressure piston	1.000	ST
8	9.039-308.0	Cover K130	1.000	ST
20	4.580-601.0	Valve complete d. 1,8	1.000	ST

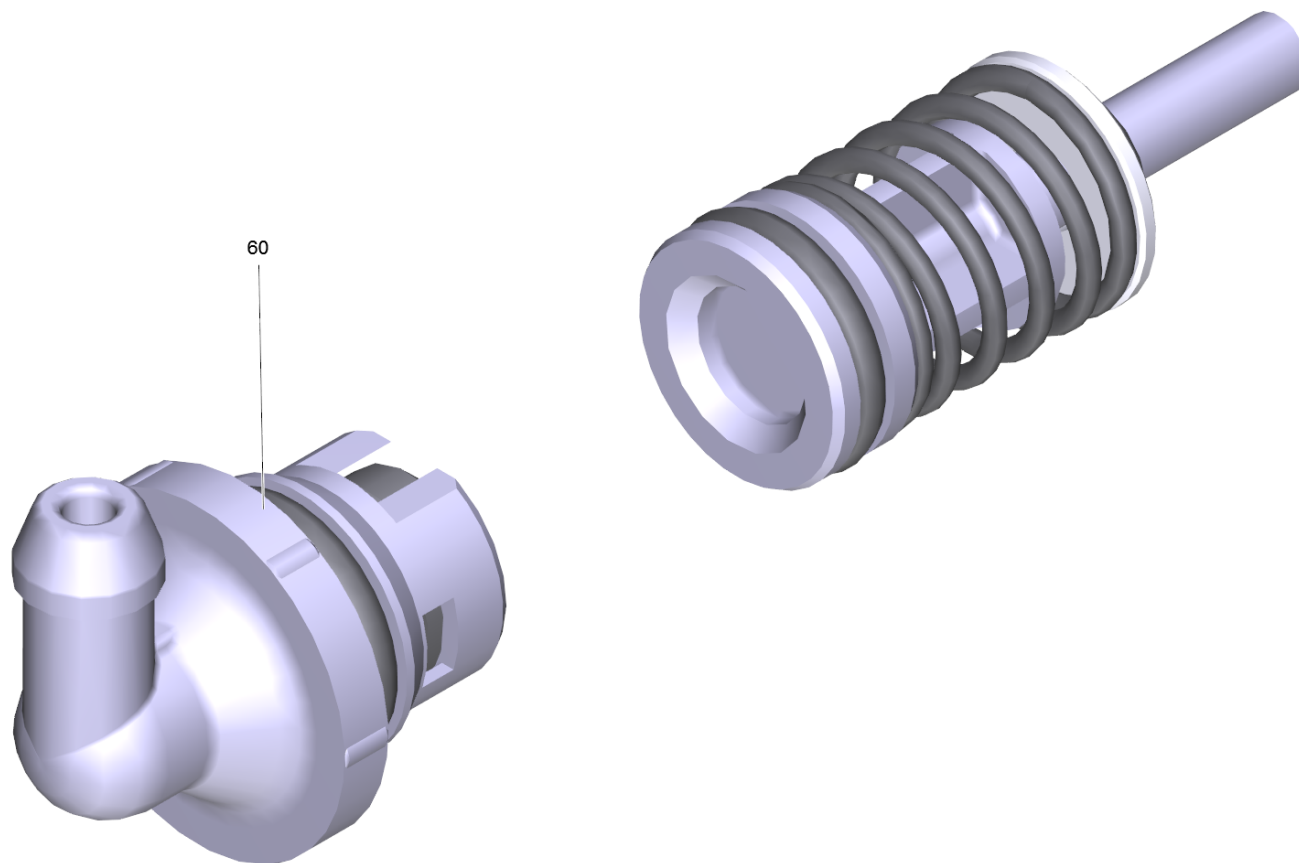




1 head pump wcm spare part (9.001-999.0)

---

<b>POS</b>	<b>Article no.</b>	<b>Description</b>	<b>Quantity</b>	<b>Unit</b>
237	9.081-422.0	Form seal	1.000	ST
238	6.362-875.0	Grooved ring	3.000	ST
239	9.001-110.0	Moulded part complete	1.000	ST
246	9.001-107.0	Cage complete	1.000	ST
251	9.001-106.0	Joining piece	1.000	ST
321	9.001-149.0	Spare parts set valve	1.000	ST

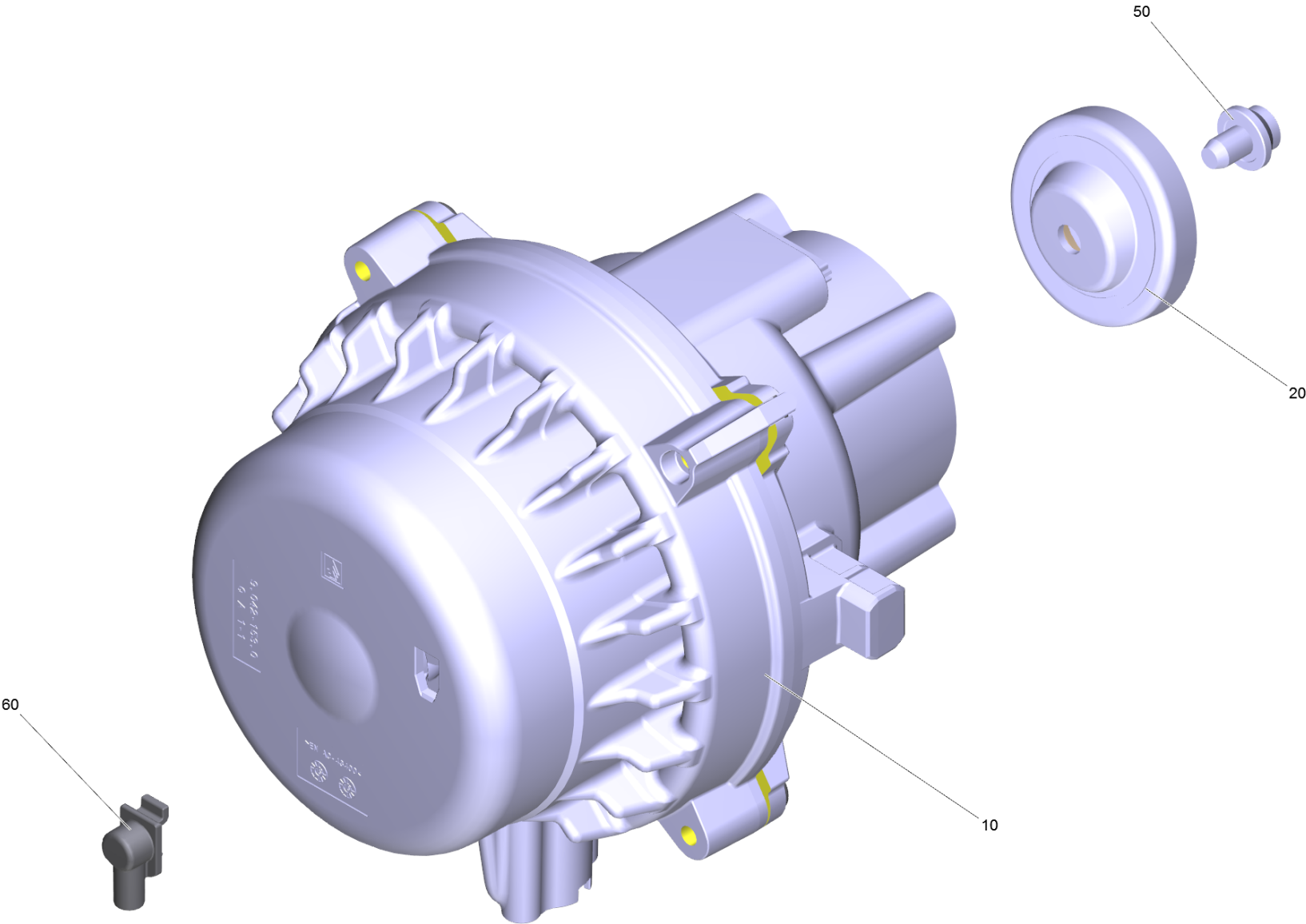


2 pressure piston HR (spare) (9.002-028.0)

---

<b>POS</b>	<b>Article no.</b>	<b>Description</b>	<b>Quantity</b>	<b>Unit</b>
60	9.002-027.0	Rad. 90° control housing HR (ric)	1.000	ST

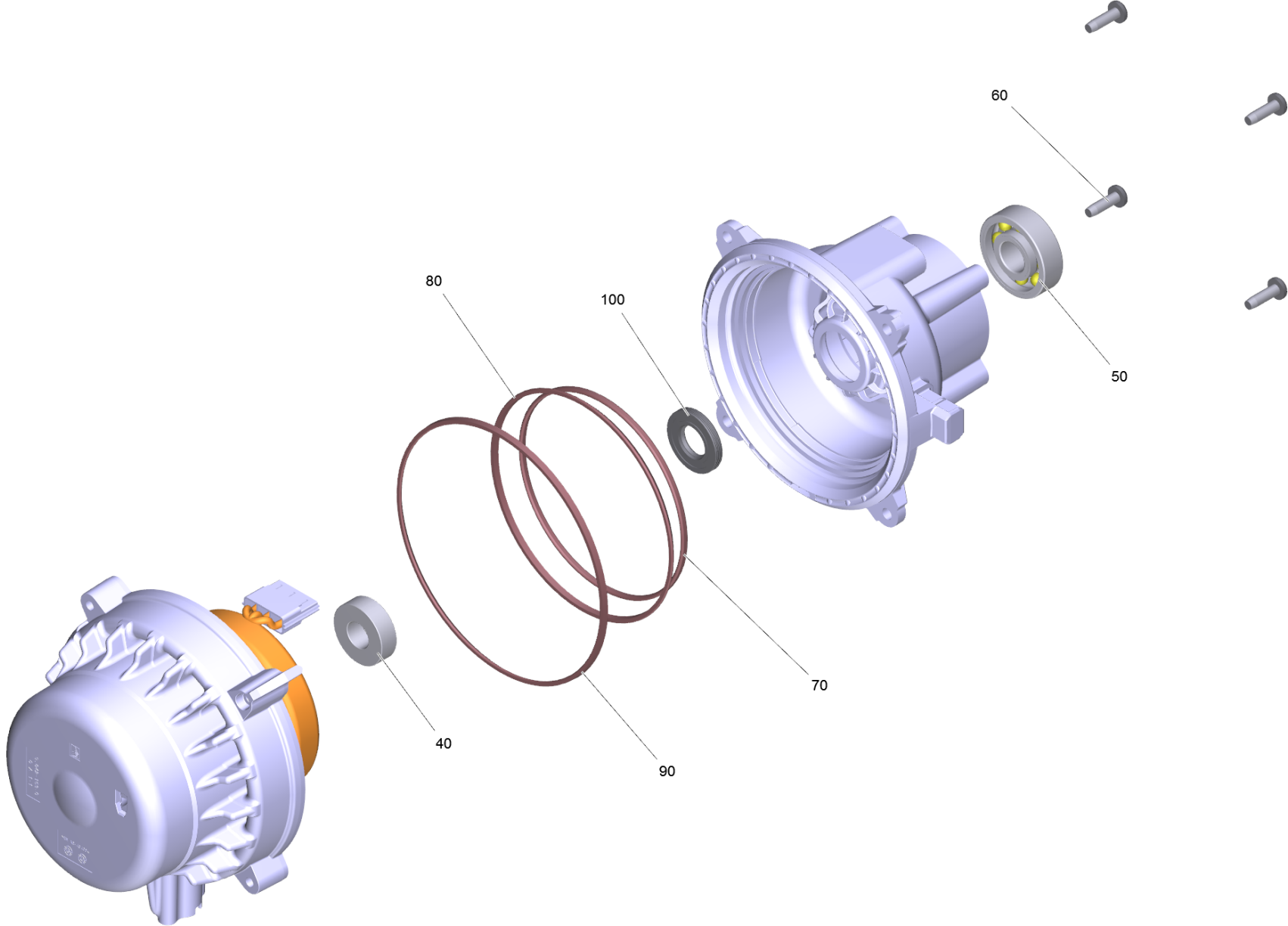
---



130 Motor complete FC H70 WCM 3/3.5 (spare) (9.002-416.0)

---

POS	Article no.	Description	Quantity	Unit
10		Motor complete FC H70 WCM 3/3.5	1.000	ST
20	9.001-705.0	Wobble plate 10°24'	1.000	ST
50	9.086-205.0	Screw	1.000	ST
60	9.038-381.0	Dreinage pipe WCM 3/3.5	1.000	ST



## 10 Motor complete FC H70 WCM 3/3.5

---

<b>POS</b>	<b>Article no.</b>	<b>Description</b>	<b>Quantity</b>	<b>Unit</b>
40	7.401-128.0	Ball bearing 6202-2RS -Wälzl.St DIN 625	1.000	ST
50	7.401-010.0	Ball bearing 6303 -St DIN 625	1.000	ST
60	7.306-092.0	Screw M6x20-ST- 8.8-R3R (IN6RD)	4.000	ST
70	9.080-503.0	O-ring d.113,0x3.0 EPDM 70	1.000	ST
80	9.080-504.0	O-Ring seal 124x3 EPDM 70	1.000	ST
90	9.080-505.0	O-Ring seal 142.2x3 EPDM 70	1.000	ST
100	9.078-021.0	Grooved ring 17x35x5	1.000	ST

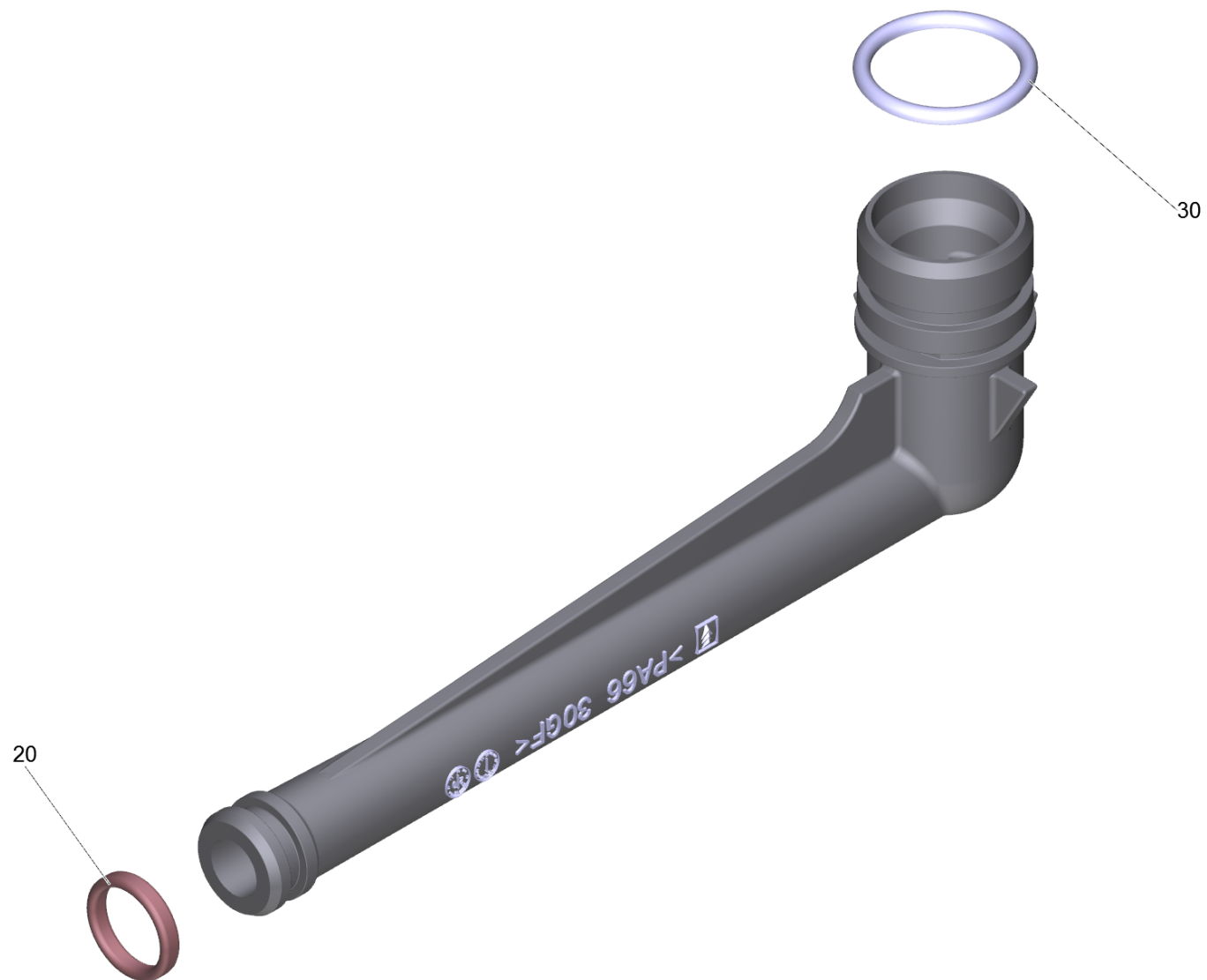




140 Suction connection complete FC (9.013-345.0)

---

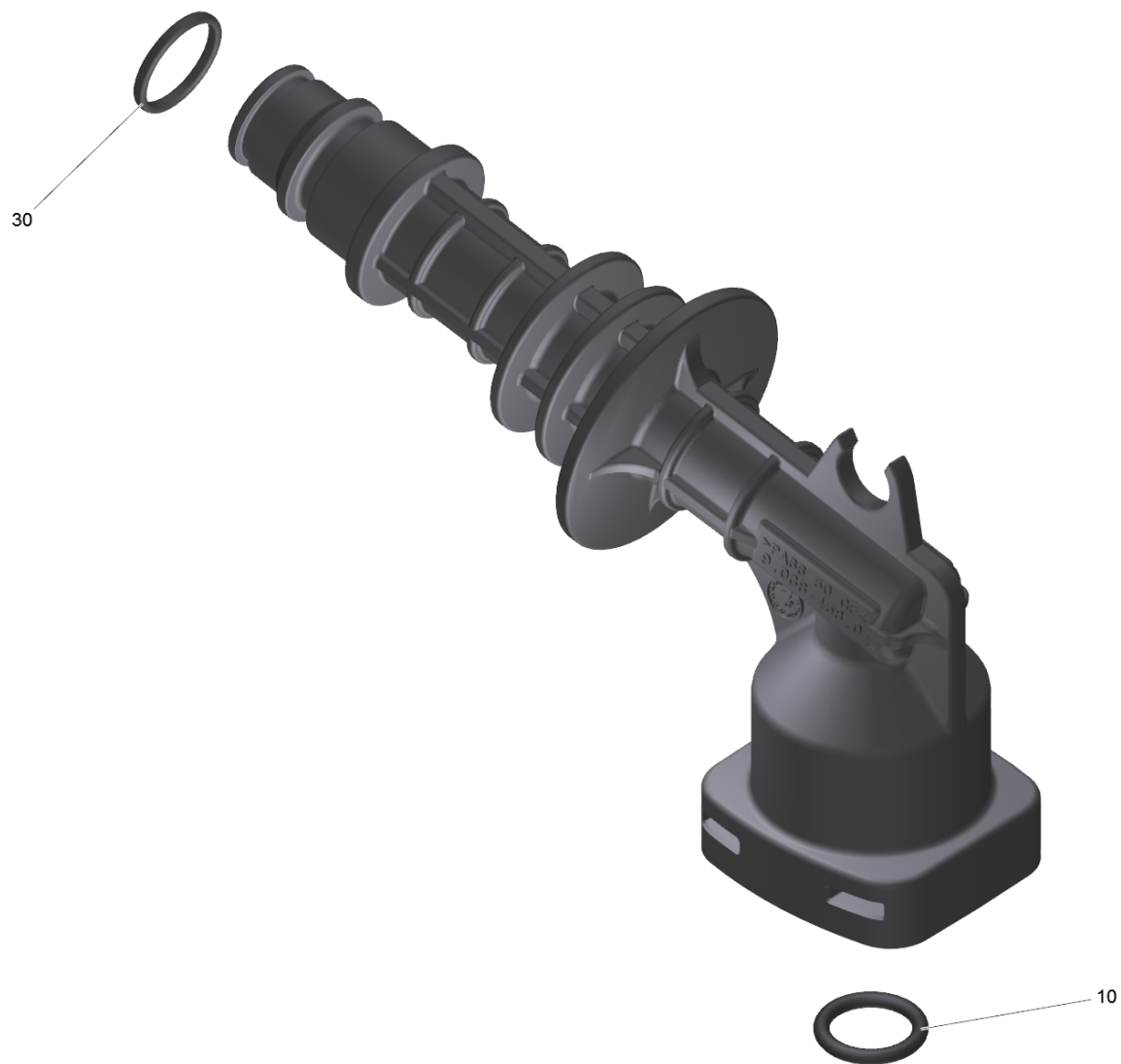
<b>POS</b>	<b>Article no.</b>	<b>Description</b>	<b>Quantity</b>	<b>Unit</b>
20	9.080-513.0	OR 12x2.1 EPDM 70 perox	1.000	ST



150 High-pressure outlet complete K4 FC (9.013-347.0)

---

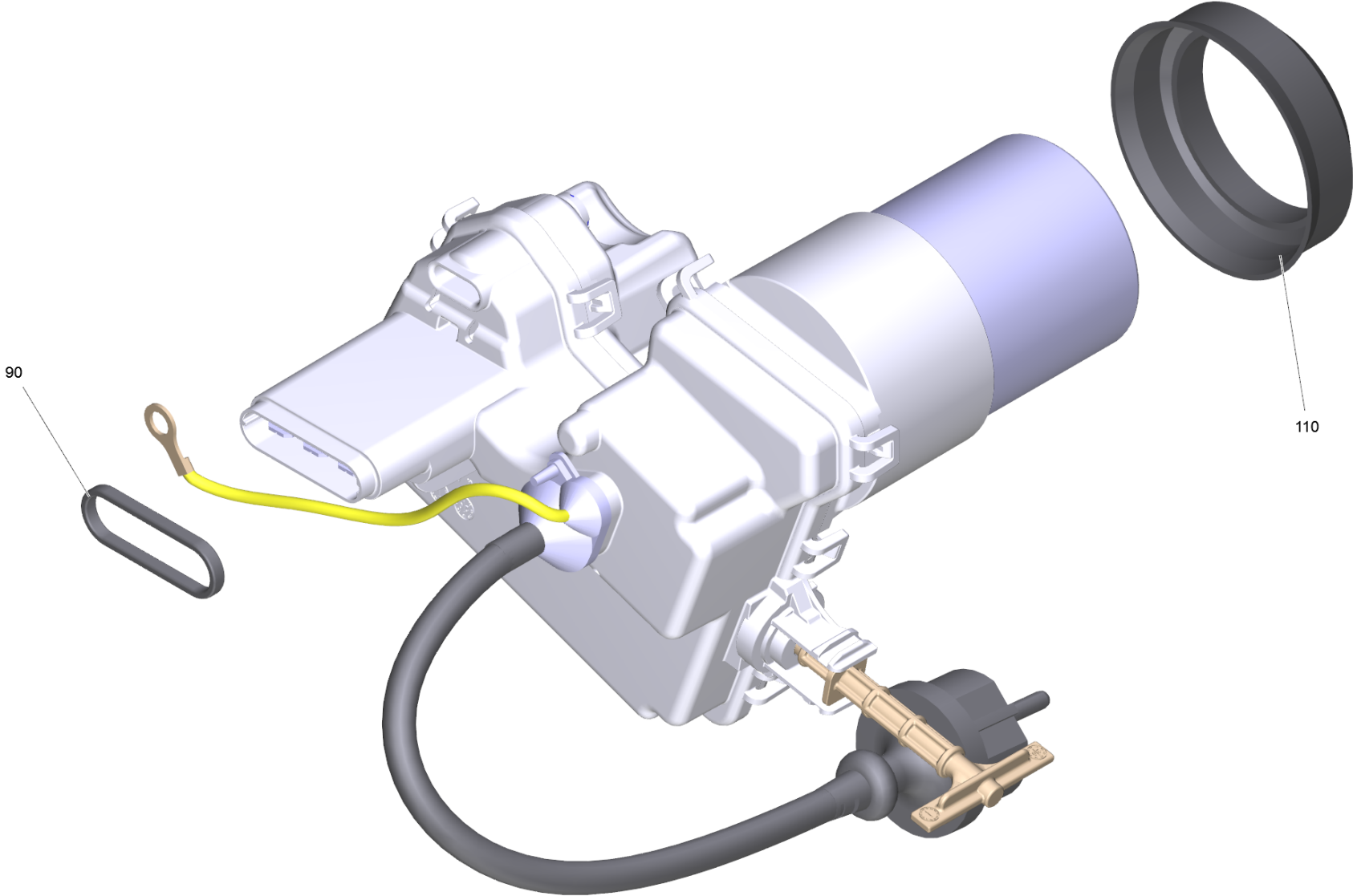
<b>POS</b>	<b>Article no.</b>	<b>Description</b>	<b>Quantity</b>	<b>Unit</b>
20	9.080-513.0	OR 12x2.1 EPDM 70 perox	1.000	ST
30	9.080-001.0	O-Ring 16x2,7 EPDM 50 Shore	1.000	ST



160 High-pressure outlet inside complete K4 (9.013-355.0)

---

<b>POS</b>	<b>Article no.</b>	<b>Description</b>	<b>Quantity</b>	<b>Unit</b>
10	6.362-151.0	O-Ring d. 10 x 2 NBR 70	1.000	ST
30	9.080-422.0	O-RING 11,5X1,5 NBR 70	1.000	ST

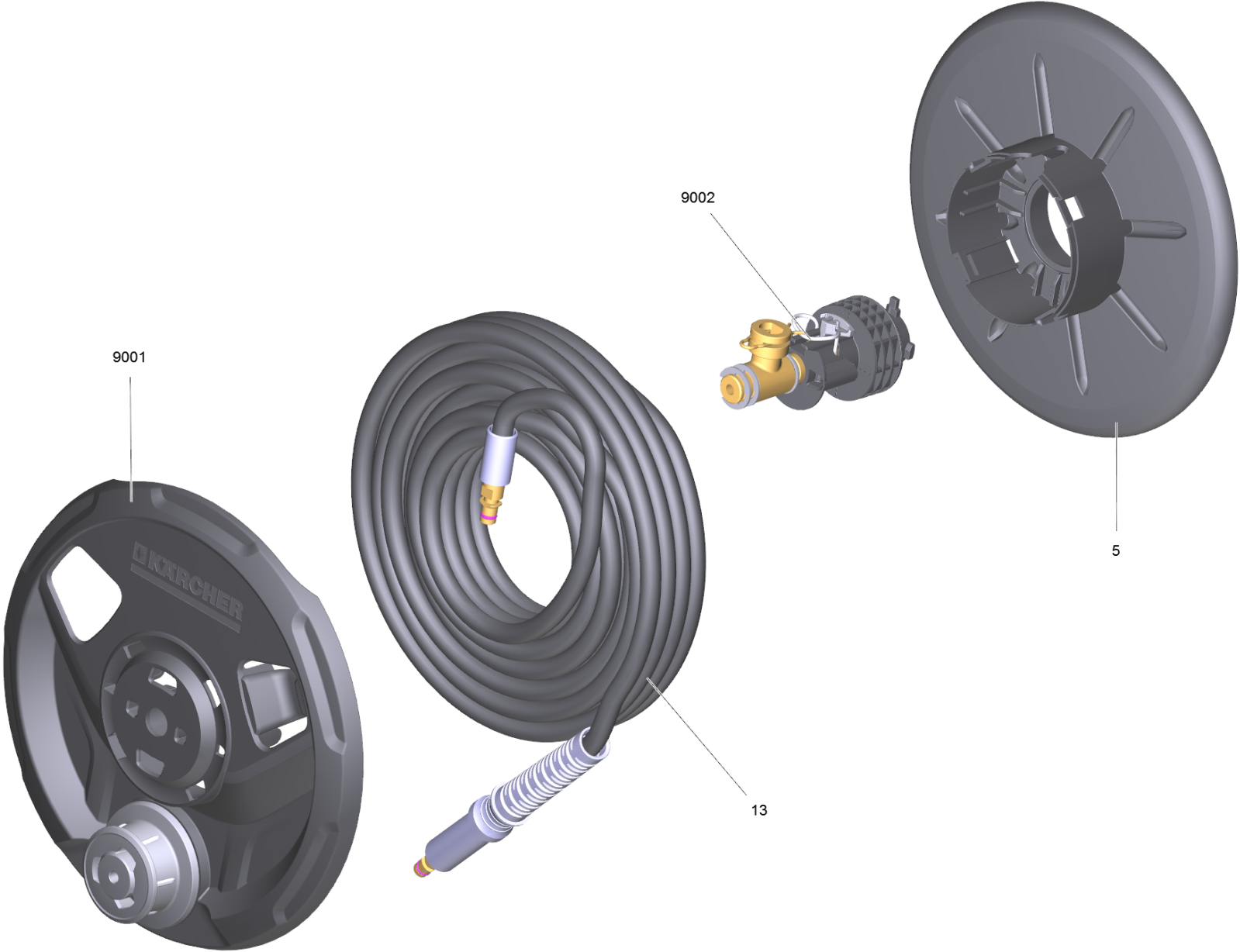


170 E-box K4 FC without PCB EU (RIC) (9.002-417.0)

---

<b>POS</b>	<b>Article no.</b>	<b>Description</b>	<b>Quantity</b>	<b>Unit</b>
90	9.080-494.0	OR 20x2 EPDM70ShA PTFE	1.000	ST
110	9.080-465.0	Joint ring capacitor d.45, 70 Shore	1.000	ST





## 120 Hose reel complete K4 FC Quick Connect

---

<b>POS</b>	<b>Article no.</b>	<b>Description</b>	<b>Quantity</b>	<b>Unit</b>
5	9.038-492.0	Hose reel FC internal disk	1.000	ST
13	6.391-794.0	High pressure hose 16MPa/9 60°C QC B	1.000	ST
9001	9.002-439.0	Kit handle+ hose reel external disk	1.000	ST
9002	9.002-440.0	Hose reel FC QC Bayonet complete	1.000	ST

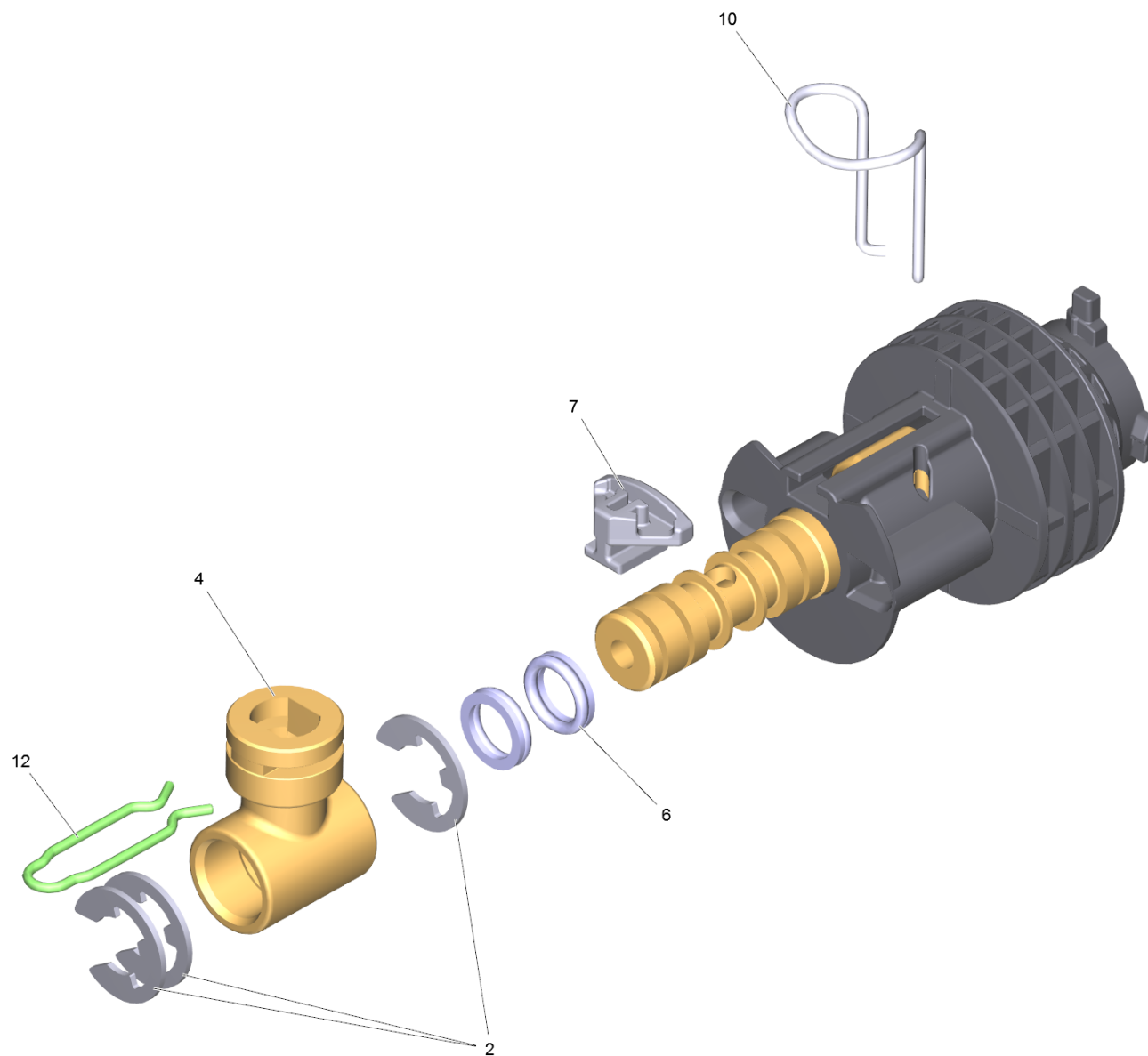


13 High pressure hose 16MPa/9 60°C QC B (6.391-794.0)

---

<b>POS</b>	<b>Article no.</b>	<b>Description</b>	<b>Quantity</b>	<b>Unit</b>
999	2.640-729.0	O-Ring seal set	1.000	ST

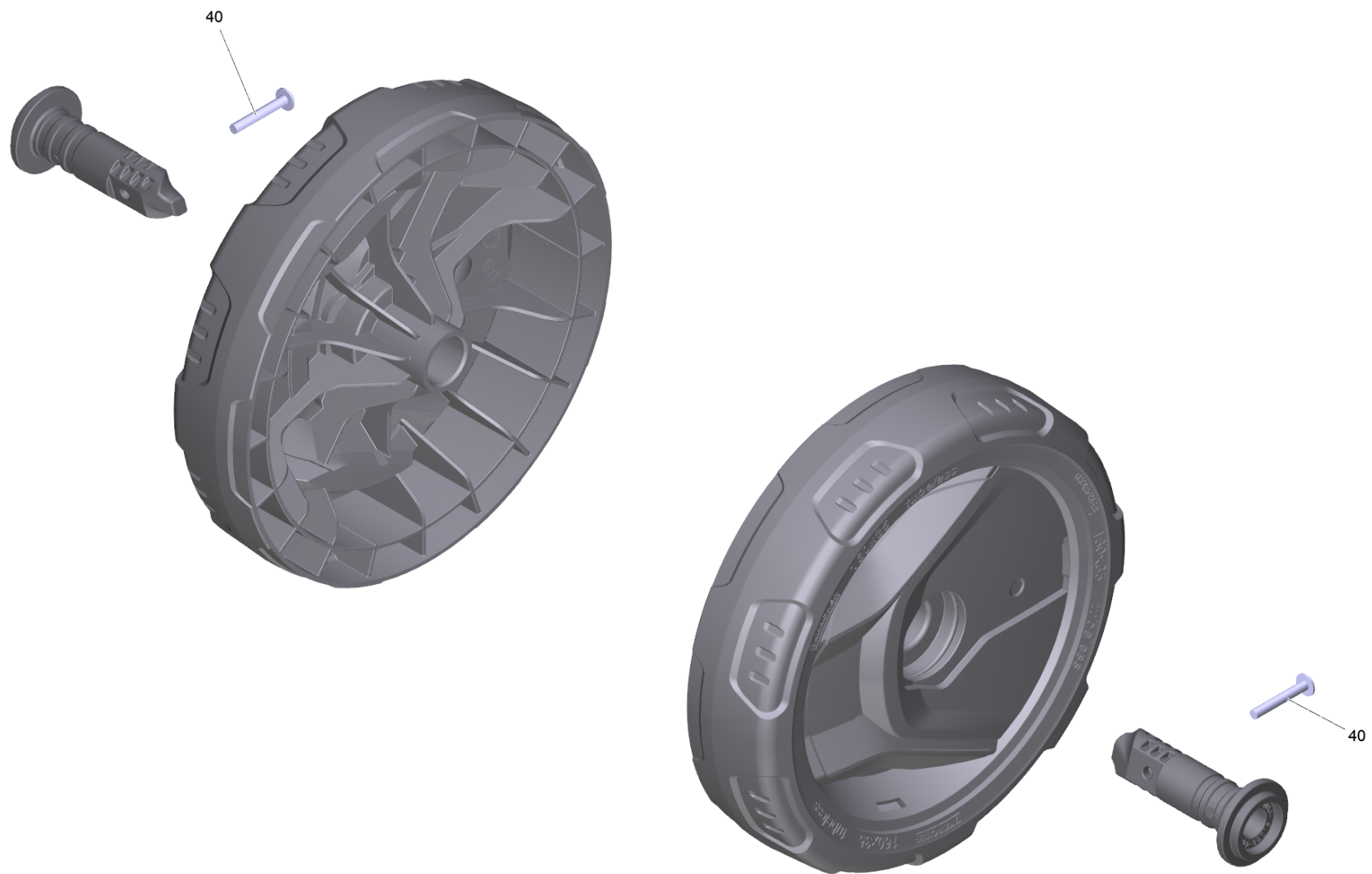
---



9002 Hose reel FC QC Bayonet complete (9.002-440.0)

---

<b>POS</b>	<b>Article no.</b>	<b>Description</b>	<b>Quantity</b>	<b>Unit</b>
2	7.343-306.0	Lock washer 12-St-A2E DIN 6799	3.000	ST
4	5.401-308.0	Rotary bushing	1.000	ST
6	6.363-628.0	O-Ring seal complete	1.000	ST
7	9.038-470.0	Hose reel FC QC Button	1.000	ST
10	9.047-117.0	Hose reel QC Clamp soft	1.000	ST
12	5.059-401.0	Clamp	1.000	ST

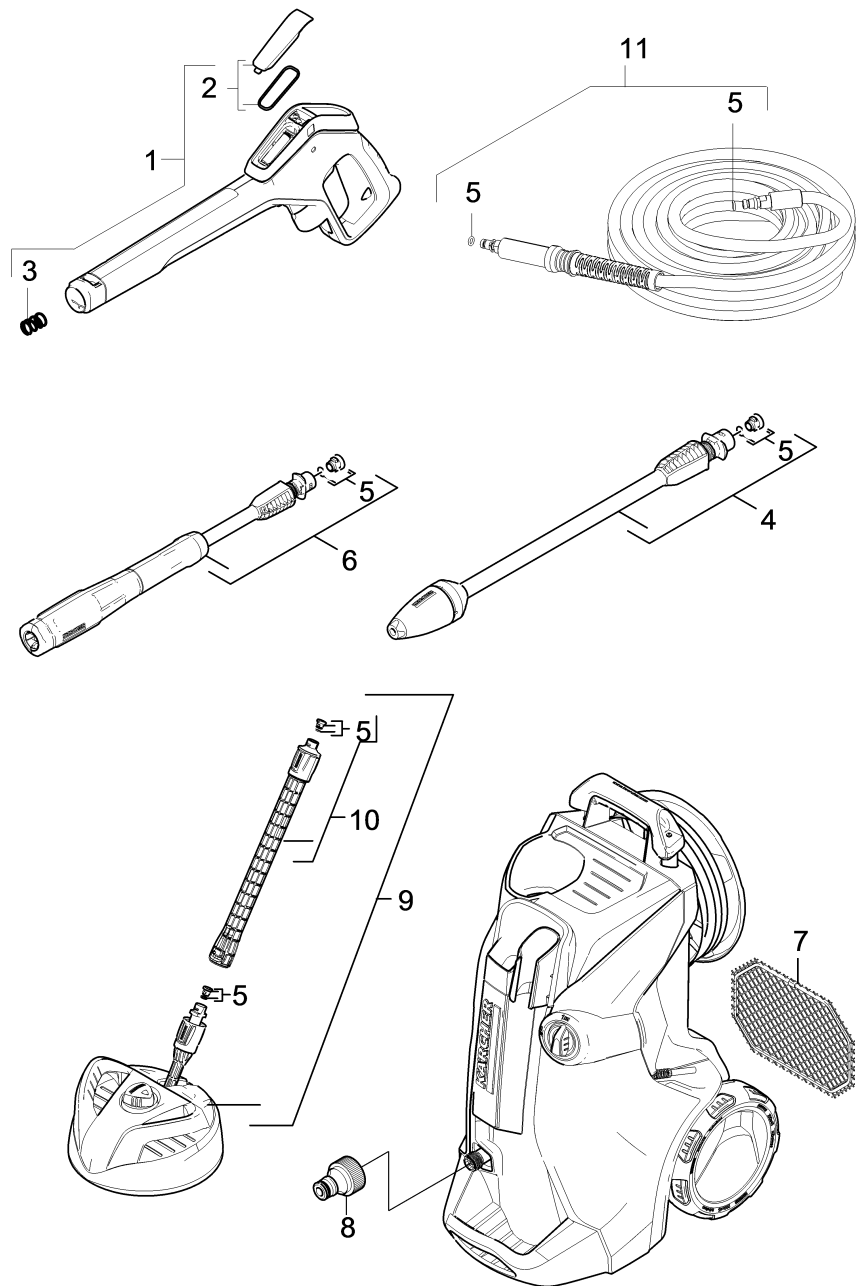


131 Wheel in pairs FC 1K D160 (9.002-438.0)

---

POS	Article no.	Description	Quantity	Unit
40	9.086-221.0	Screw ATF 4.1x22	1.000	ST





## 210 Short spare parts list

POS	Article no.	Description	Quantity	Unit
1	2.885-478.0	Spare part set G 145 Q Full Control	1.000	ST
2	2.885-470.0	Spare part set cover battery	1.000	ST
3	5.332-464.0	Pressure spring	1.000	ST
4	2.642-728.0	DB 145 Dirt Blaster (packaged)	1.000	ST
5	2.640-729.0	O-Ring seal set	6.000	ST
6	2.642-725.0	VP 145 Vario Power Jet (packaged)	1.000	ST
7	9.002-435.0	Accessory net	1.000	ST
8	6.465-031.0	Connection 3/4	1.000	ST
9	2.643-252.0	T 350 T-Racer Surface Cleaner	1.000	ST
10	2.643-240.0	Single-step jet pipe extension	1.000	ST
11	6.391-794.0	High pressure hose 16MPa/9 60°C QC B	1.000	ST