

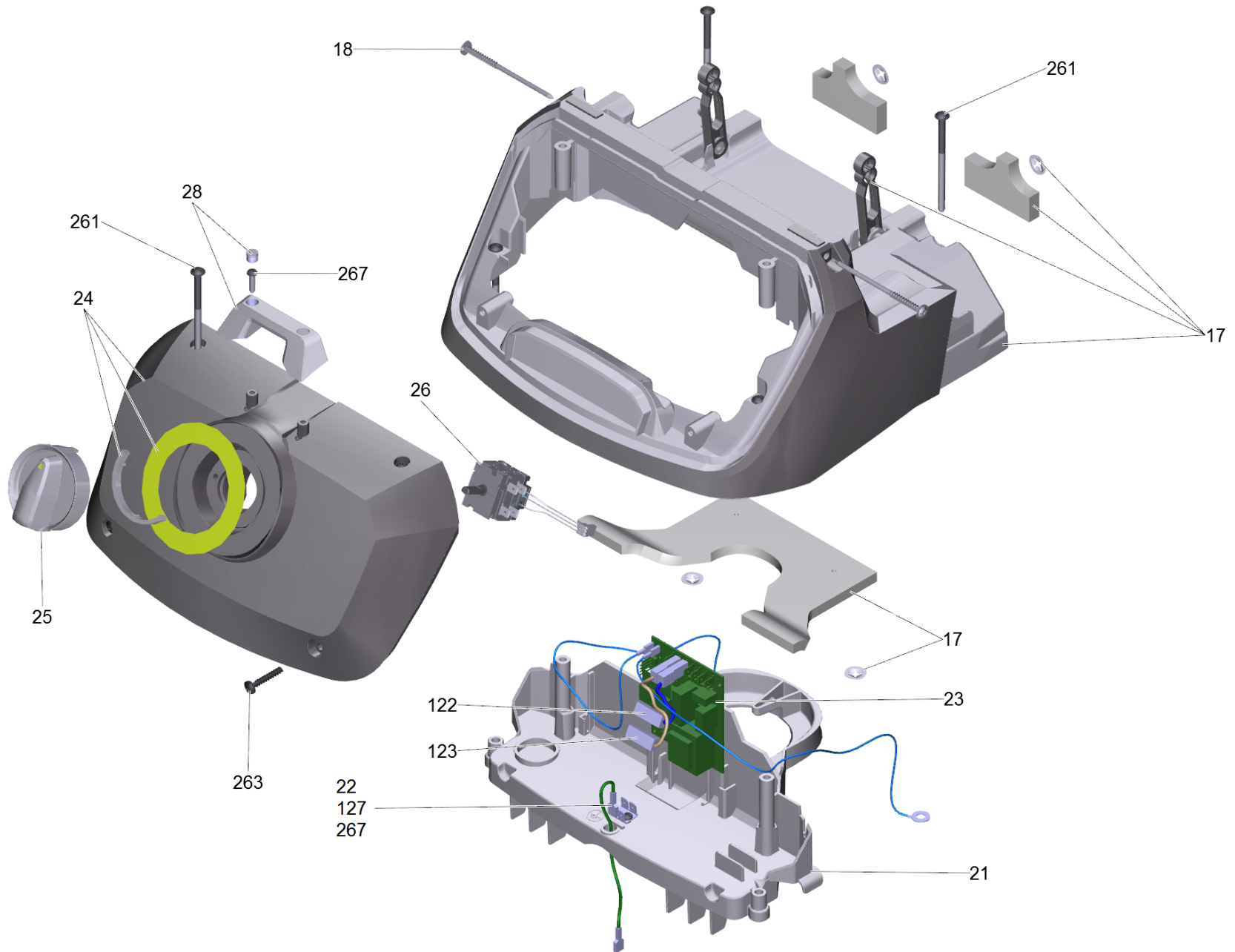
## **Spare parts list**

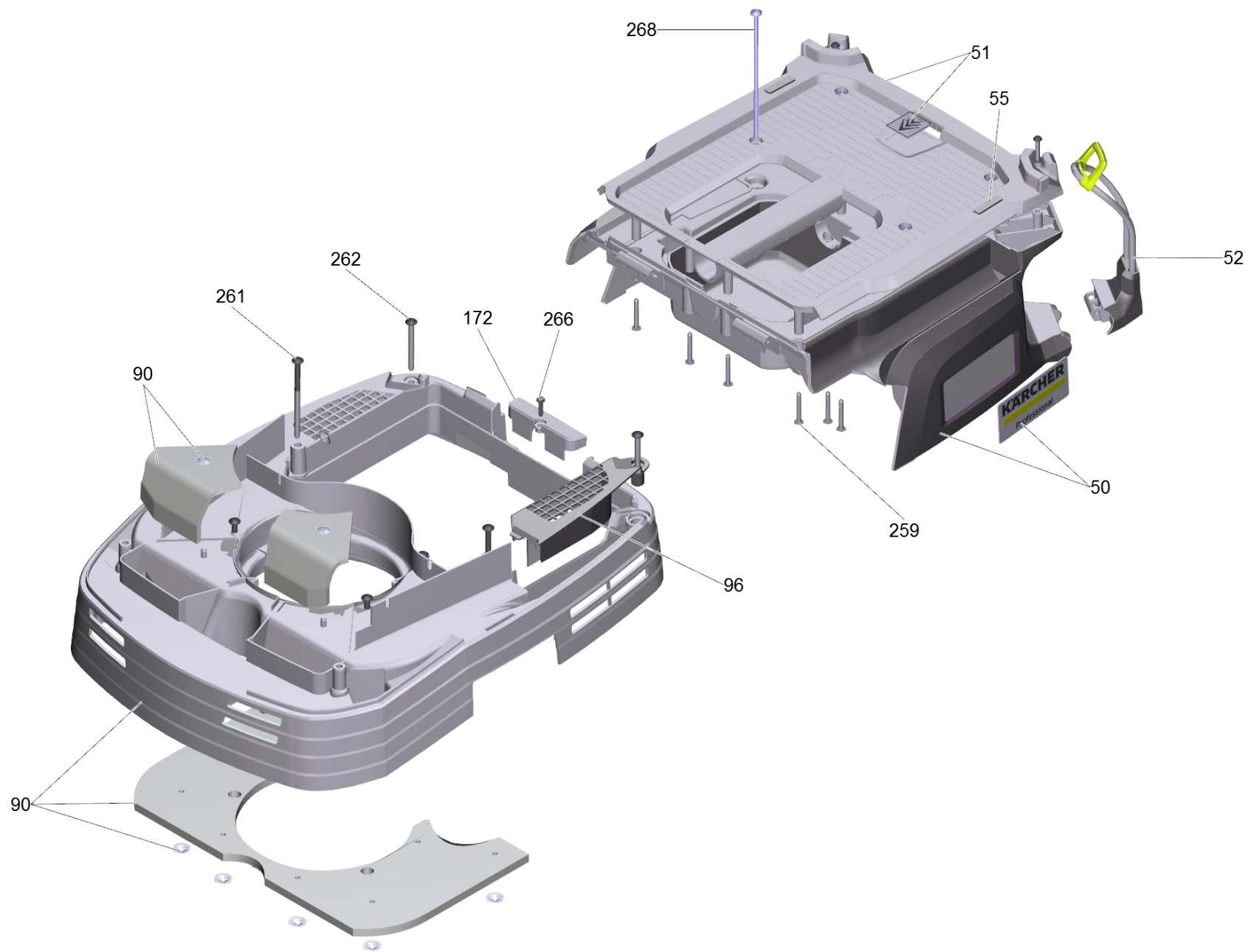
(1.148-340.0) NT 40/1 Tact Bs \*EU

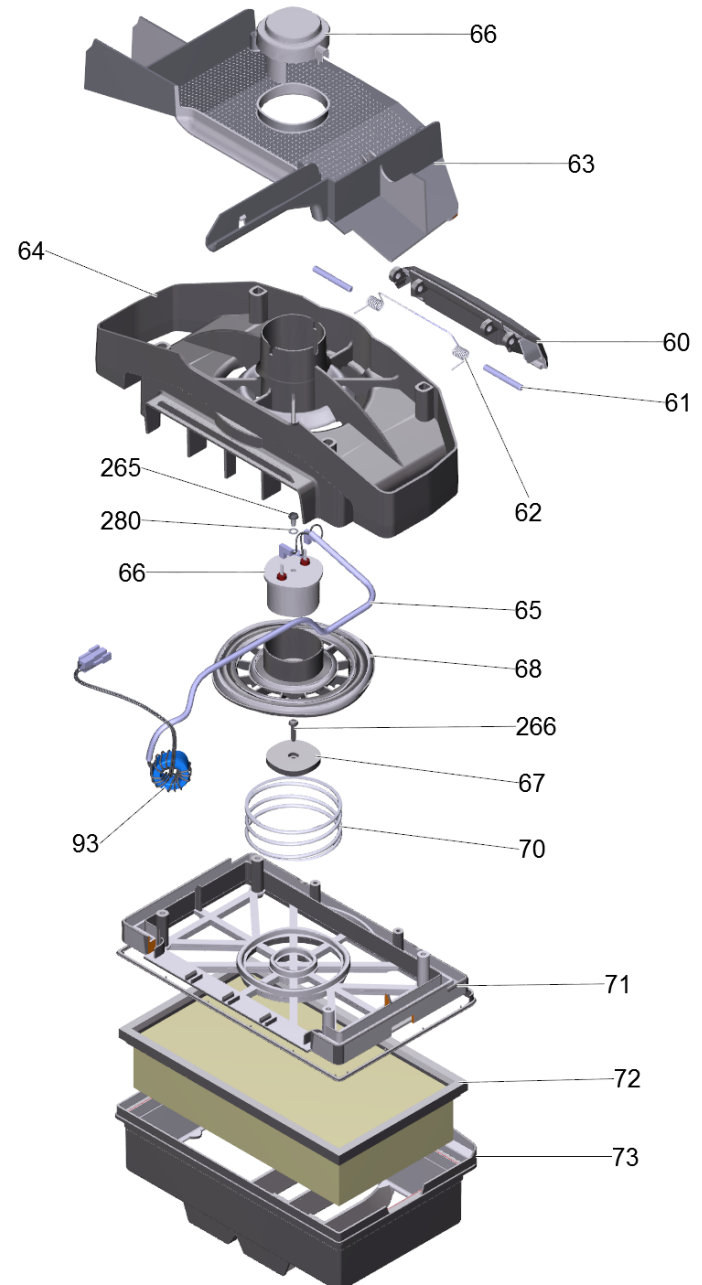
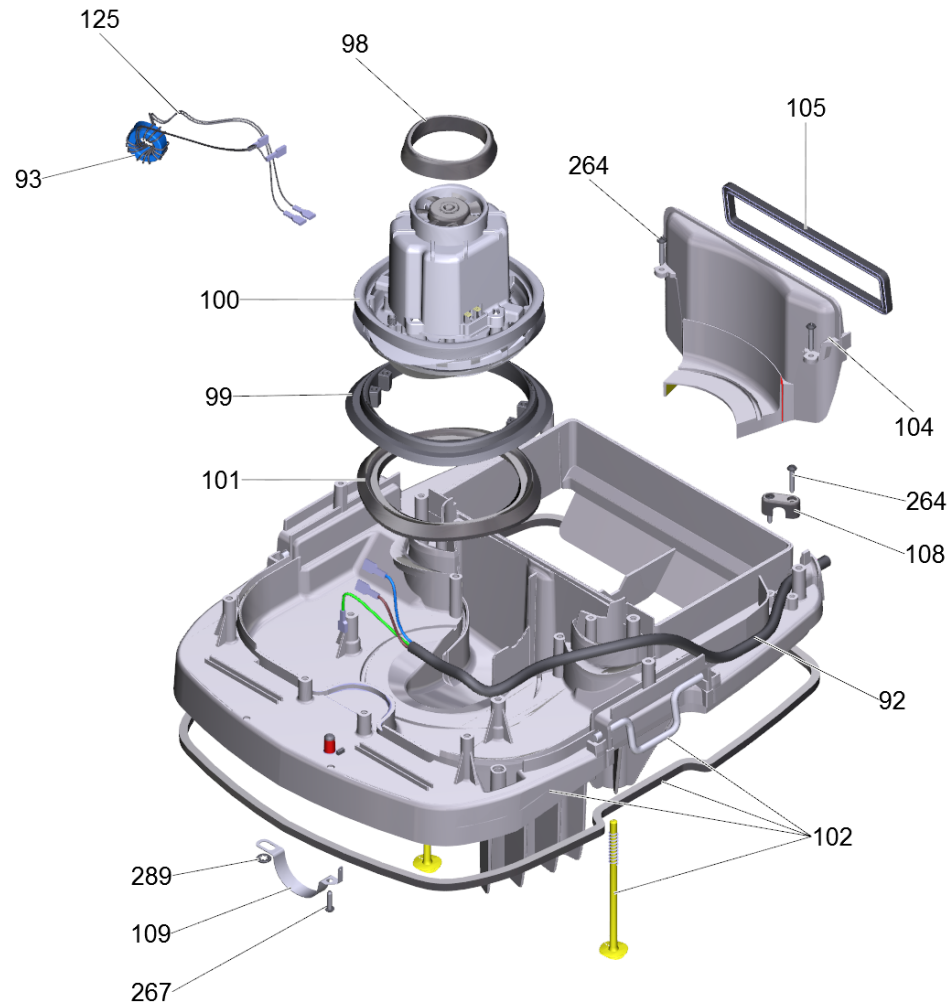
## Table of contents

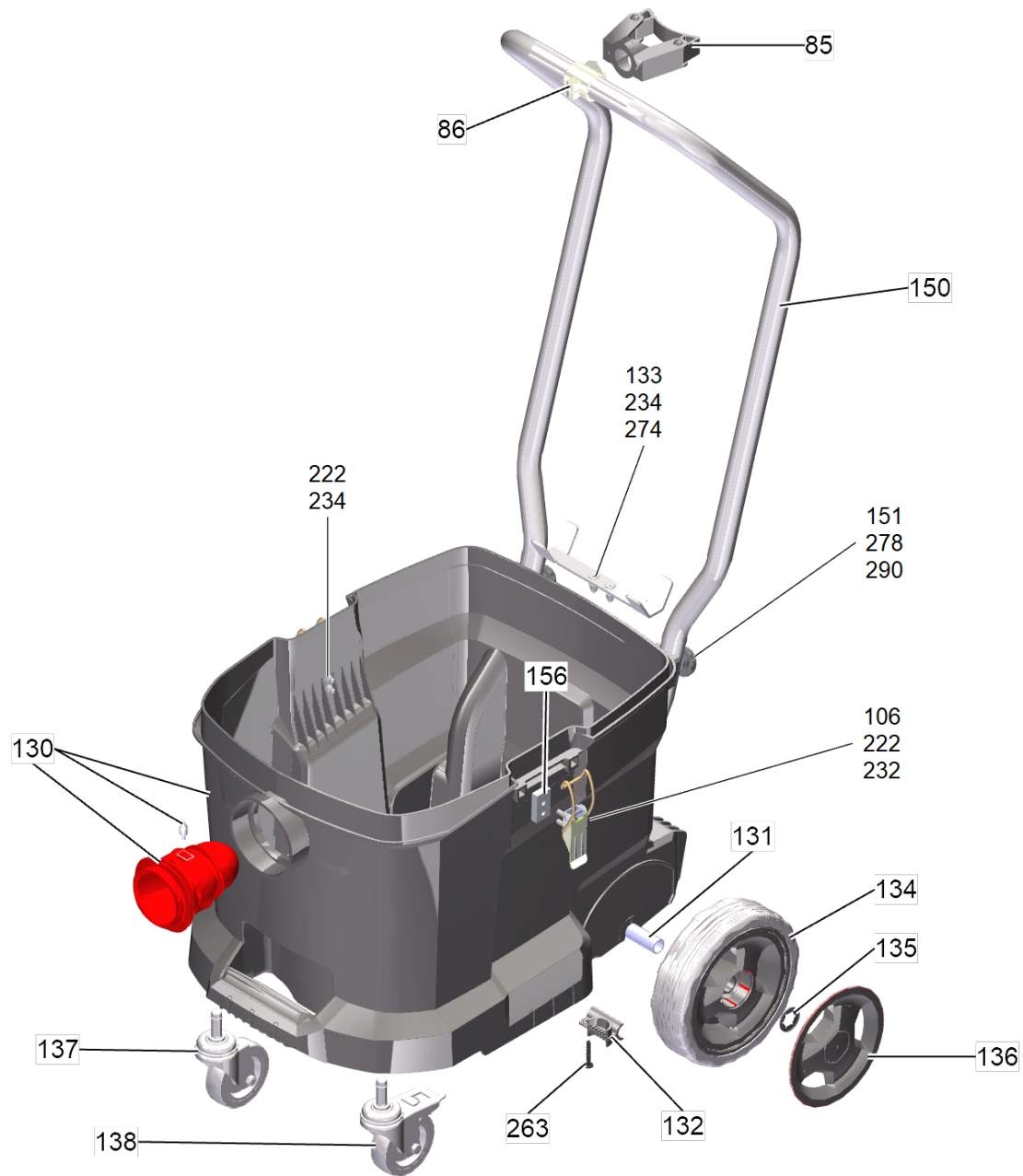
---

NT 40/1 Tact Bs *EU (1.148-340.0)	3
17 Cover set (4.071-584.0)	10
90 Housing air circulation set (4.071-586.0)	12
102 Housing base plate set (4.071-587.0)	14
130 Tank set NT 40/1 (4.071-588.0)	16
150 Add-on kit shearing shackle NT 40/1 (2.643-868.0)	18
9510 Oven set (2.640-341.0)	20
10 Oven set	21
9511 Bakery set C-DN40 (2.640-436.0)	23
10 Bakery set	24
6 Floor tool packaged basalt grey DN40 (6.907-408.0)	26









NT 40/1 Tact Bs \*EU (1.148-340.0)

POS	Article no.	Description	Quantity	Unit
17	4.071-584.0	Cover set	1	PC
18	5.107-004.0	Guide screw	2	PC
21	5.605-019.0	Housing air circulation above	1	PC
22	6.650-038.0	Tab double	1	PC
23	4.071-112.0	Control system Tact 230V	1	PC
24	4.071-585.0	Control panel set	1	PC
25	5.744-001.0	Handle	1	PC
26	6.630-806.3	Rotary switch	1	PC
28	4.070-345.0	Fixing case	1	PC
50	4.071-022.0	Filter cover set NT Tact	1	PC
51	4.070-471.0	Filter cover top part	1	PC
52	4.071-086.0	Hose hook set	2	PC
55	4.070-360.0	Antislip rubber set	4	PC
60	5.322-157.0	Filter cover closure	1	PC
61	5.317-231.0	Bolt hook	2	PC
62	5.333-221.0	Spring	1	PC
63	5.031-100.3	Moulded part cover filter	1	PC
64	5.044-233.0	Holder magnet	1	PC
65	6.650-540.0	Cable magnet	1	PC
66	4.071-351.0	Magnet small completely	1	PC
67	5.005-277.0	Plate magnet	1	PC
68	5.582-140.0	Valve disc	1	PC
70	5.332-975.0	Spring soft	1	PC
71	5.064-056.3	Holder flat filter	1	PC
72	6.907-662.0	Flat-pleated filter packaged PES	1	PC
73	5.064-055.0	Frame flat-pleated filter	1	PC
85	4.071-589.0	Bracket	1	PC
86	6.373-050.0	Tube mounting	1	PC
90	4.071-586.0	Housing air circulation set	1	PC
92	6.650-591.3	Power cable 7,5m	1	PC
93	6.346-043.0	Ferrite ring	2	PC
96	5.605-058.0	Cover housing air circulation	1	PC
98	5.363-735.0	Seal vacuum motor above	1	PC

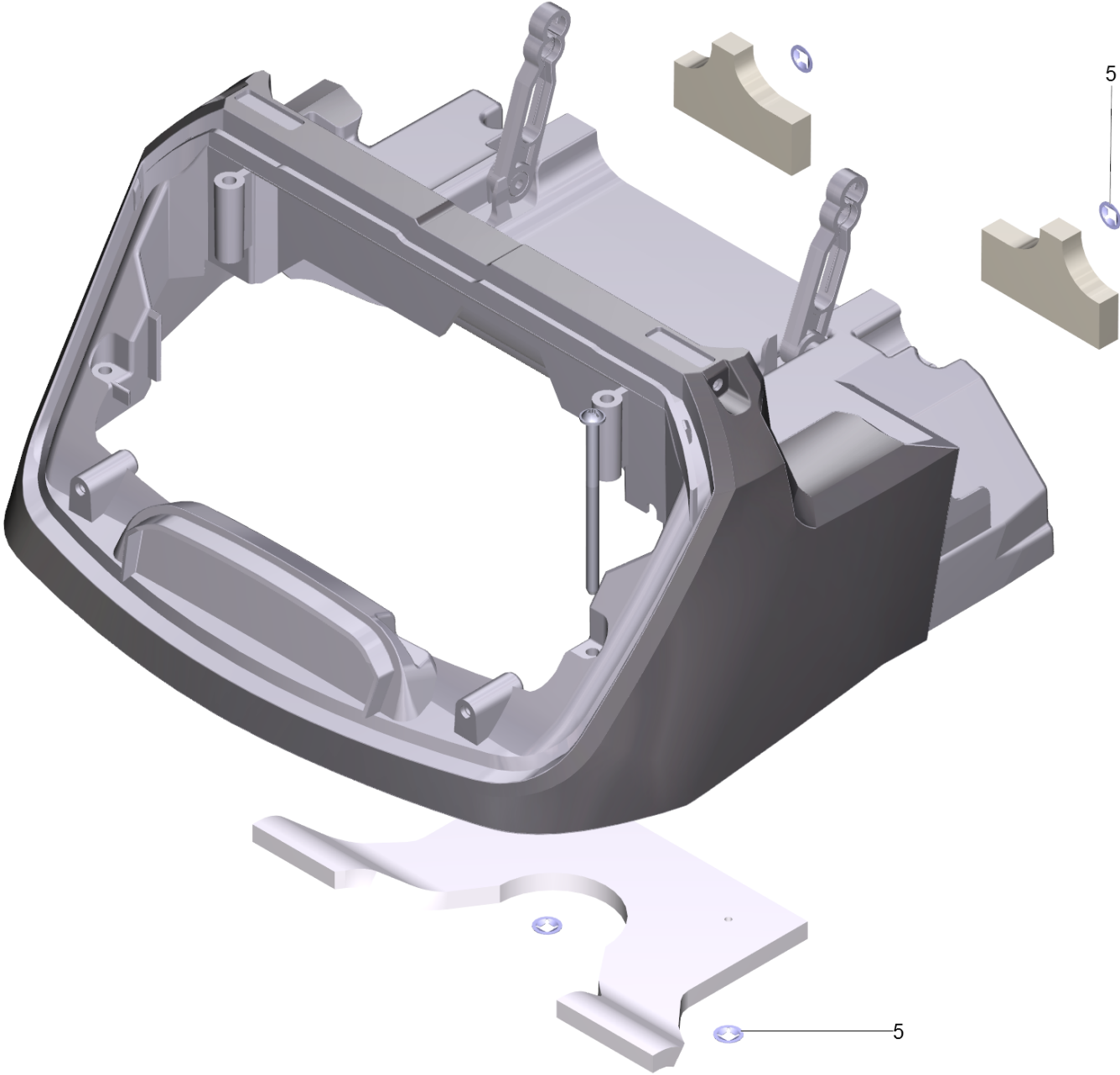
NT 40/1 Tact Bs \*EU (1.148-340.0)

POS	Article no.	Description	Quantity	Unit
99	5.363-795.0	Seal vacuum motor center	1	PC
100	6.490-245.0	Blower motor 230V	1	PC
101	5.363-256.0	Seal bottom	1	PC
102	4.071-587.0	Housing base plate set	1	PC
104	5.064-057.0	Air circulation	1	PC
105	5.363-187.0	Seal supply air	1	PC
106	6.995-019.0	Locking hook	2	PC
108	5.031-474.0	Strain relief Tact	1	PC
109	5.332-054.0	Spring electrically conducting	1	PC
122	6.650-670.0	Cable blue 1mm²x270mm	1	PC
123	6.650-671.0	Cable brown 1mm²x270mm	1	PC
125	6.650-667.0	Cable turbine	2	PC
127	6.650-853.0	Cable green/yellow 1,5mm²x150mm	1	PC
130	4.071-588.0	Tank set NT 40/1	1	PC
131	5.105-025.0	Axle	1	PC
132	5.044-456.0	Holder axle	2	PC
133	4.071-590.0	Sheet metal component pocket floor nozzle	1	PC
134	5.515-377.0	Wheel	2	PC
135	6.343-168.0	Lock washer	2	PC
136	5.515-386.0	Wheel cap large RAL 7012	2	PC
137	6.435-894.0	Castor Ø75	1	PC
138	6.435-895.0	Castor with brake Ø75	1	PC
150	2.643-868.0	Add-on kit shearing shackle NT 40/1	1	PC
151	6.303-546.0	Star grip	2	PC
156	5.007-873.0	Plate	2	PC
172	5.034-096.0	Screen holder accessories	1	PC
222	7.312-052.0	Washer 5 -A2 ISO 7089	6	PC
232	7.306-183.0	Screw M5x20 -A2-70 (In6Rd)	4	PC
234	7.311-623.0	Cap nut M5 -A2 DIN 986	6	PC
259	7.303-285.0	Screw 4x30 -10.9-R2R (K-In6Rd)	6	PC
261	7.303-171.0	Screw 5x80 -10.9-R2R (K-In6Rd)	10	PC
262	7.303-111.0	Screw 5x50 -10.9-R2R (K-In6Rd)	2	PC
263	7.303-086.0	Screw 5x30 -10.9-R2R (K-In6Rd)	5	PC



NT 40/1 Tact Bs \*EU (1.148-340.0)

POS	Article no.	Description	Quantity	Unit
264	7.303-096.0	Screw 4x22-ST-10.9-R2R (IN6RD)	6	PC
265	7.303-030.0	Screw M4x8 -St-P2R (In6Rd)	1	PC
266	6.303-568.0	Oval head screw with hexalobular socket	1	PC
267	7.303-129.0	Screw 4x16-10.9-R2R (K-In6Rd)	4	PC
268	7.303-323.0	Screw 5x130 -10.9-R2R (In6Rd)	4	PC
274	7.305-049.0	Countersunk screw M5x16-A2-70 (IN6RD)	2	PC
278	7.312-017.0	Washer 8-A2 ISO 7089	2	PC
280	7.312-039.0	Serrated lock washer A4,3-1.4310 DIN 67	1	PC
289	6.343-169.0	Quick-fastener	1	PC
290	7.311-570.0	Square nut M8 -05-A2E DIN 557	2	PC
9510	2.640-341.0	Oven set	1	PC
9511	2.640-436.0	Bakery set C-DN40	1	PC
9520	6.904-212.0	Membrane filter KÄ.	1	PC

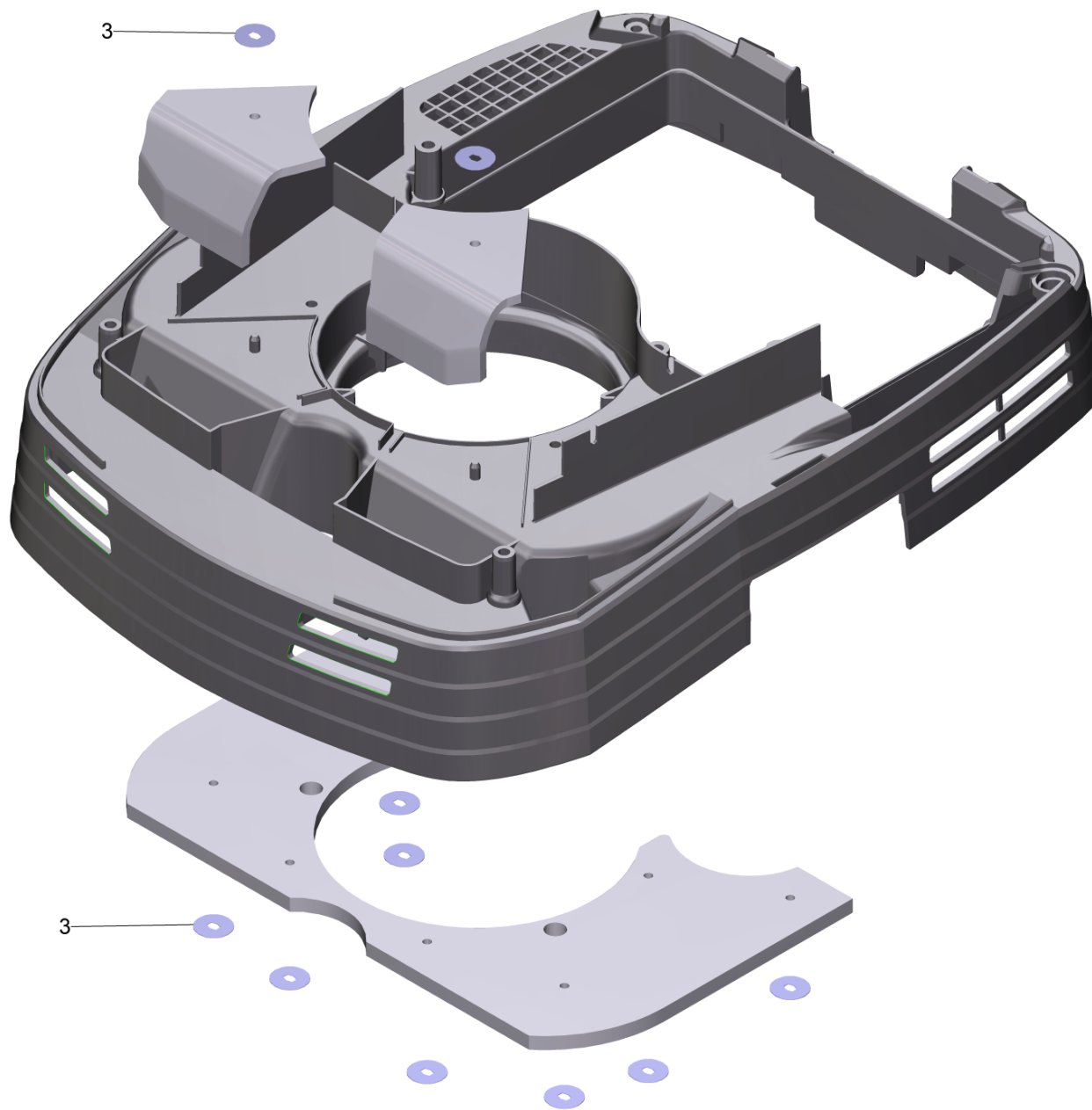


17 Cover set (4.071-584.0)

---

<b>POS</b>	<b>Article no.</b>	<b>Description</b>	<b>Quantity</b>	<b>Unit</b>
5	6.343-145.0	Lock washer 5	4	PC

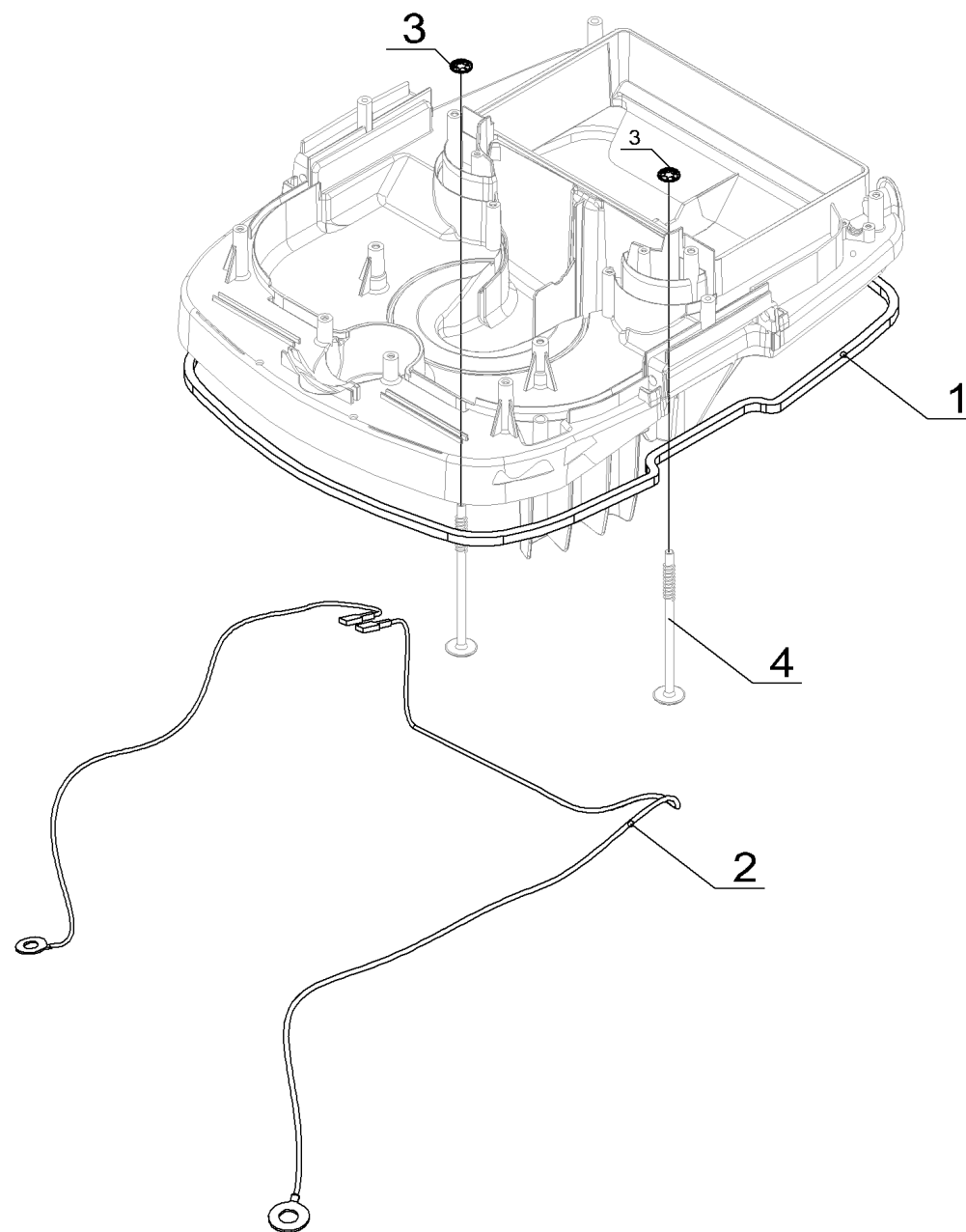
---



90 Housing air circulation set (4.071-586.0)

---

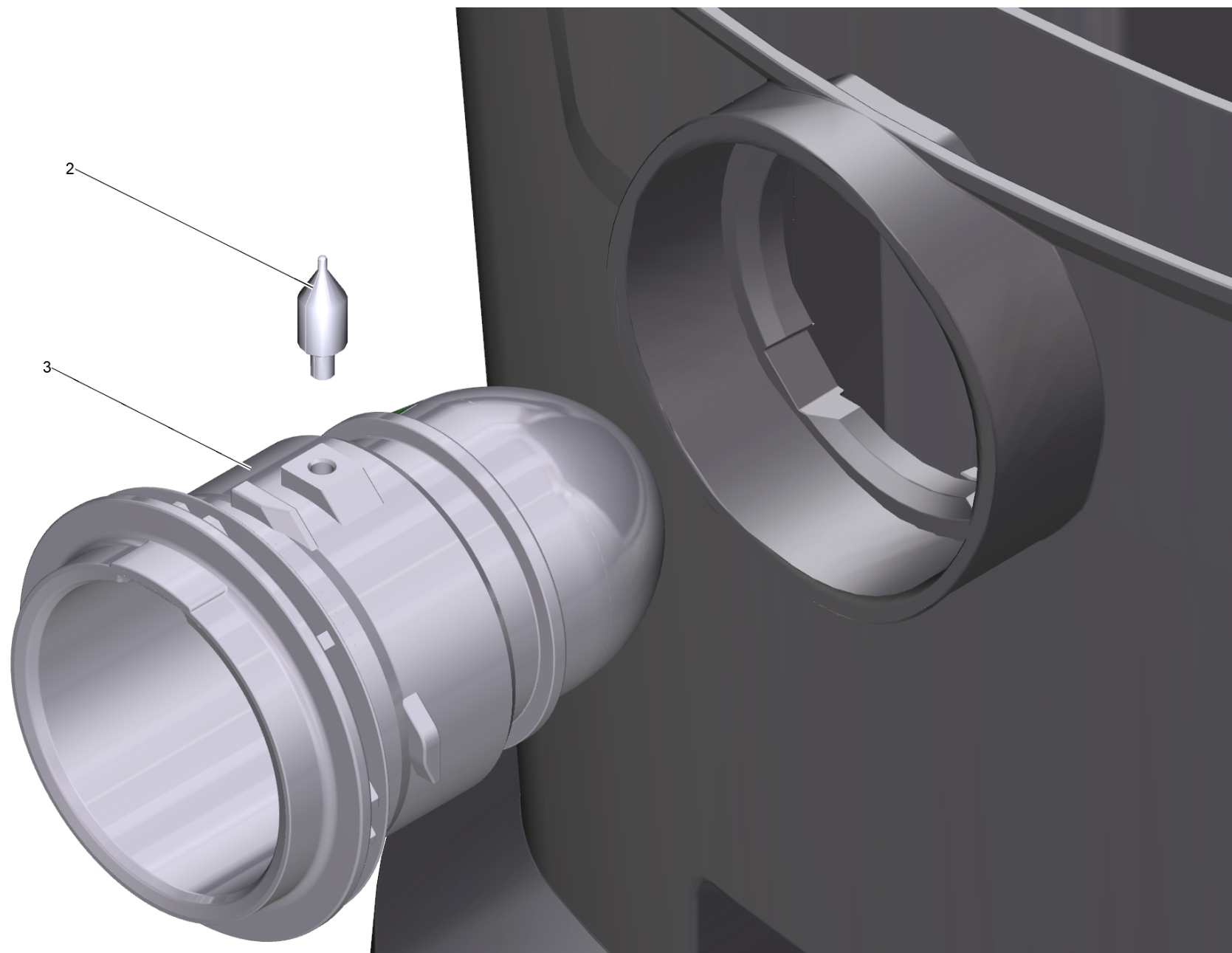
<b>POS</b>	<b>Article no.</b>	<b>Description</b>	<b>Quantity</b>	<b>Unit</b>
5	6.343-145.0	Lock washer 5	10	PC



## 102 Housing base plate set (4.071-587.0)

---

<b>POS</b>	<b>Article no.</b>	<b>Description</b>	<b>Quantity</b>	<b>Unit</b>
1	6.273-018.3	Seal string housing base plate	1	PC
2	6.650-666.0	Cable probe light blue 0,5mm <sup>2</sup> x490mm	2	PC
3	6.343-119.0	Lock washer	2	PC
4	5.107-002.0	Probe	2	PC

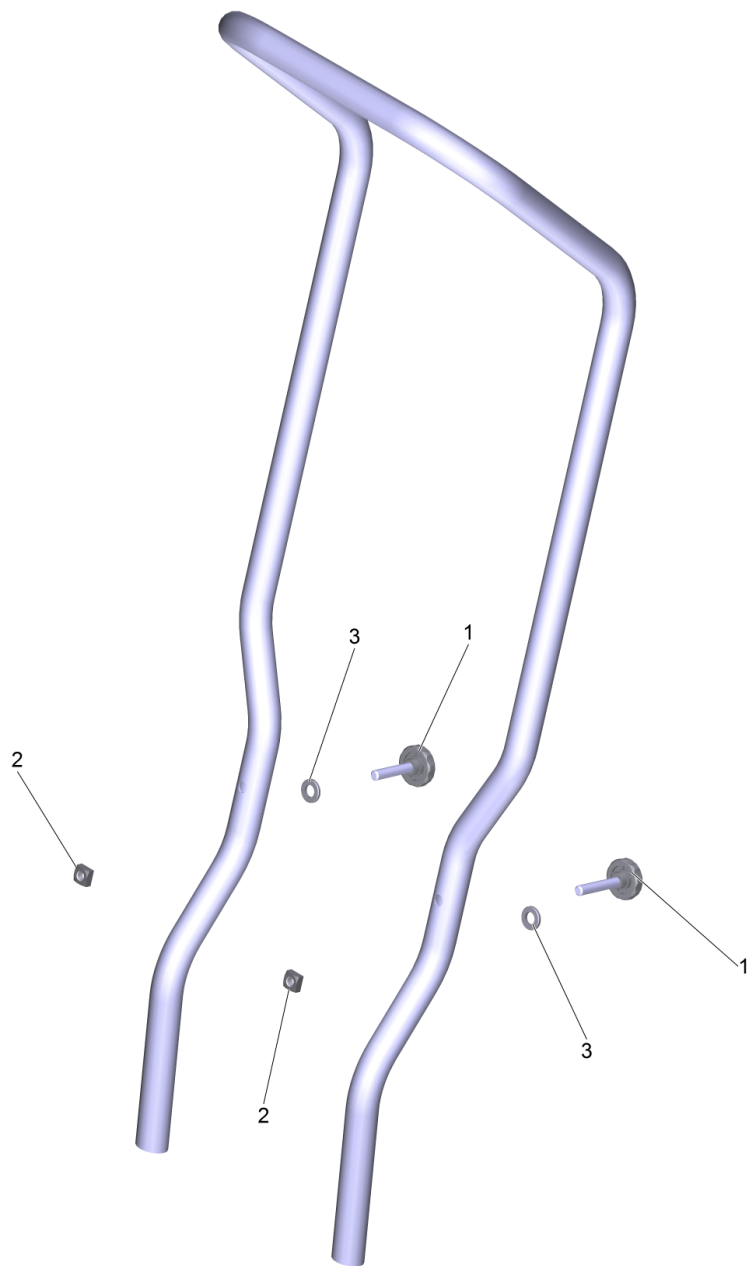




130 Tank set NT 40/1 (4.071-588.0)

---

<b>POS</b>	<b>Article no.</b>	<b>Description</b>	<b>Quantity</b>	<b>Unit</b>
2	5.316-974.0	Bolt electrically conducting	1	PC
3	5.031-857.0	Suction connection EL.	1	PC



150 Add-on kit shearing shackle NT 40/1 (2.643-868.0)

---

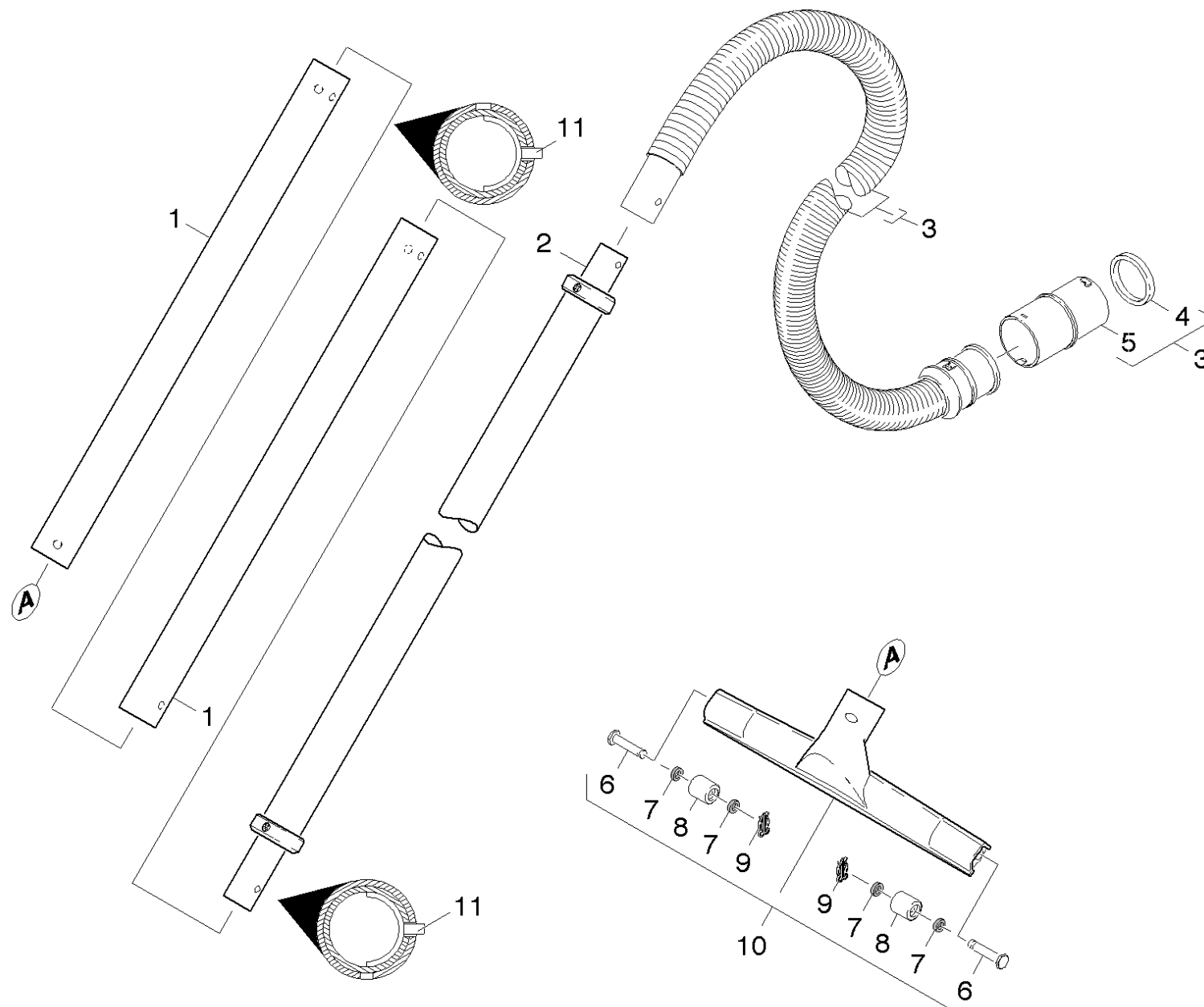
<b>POS</b>	<b>Article no.</b>	<b>Description</b>	<b>Quantity</b>	<b>Unit</b>
1	6.303-546.0	Star grip	2	PC
2	7.311-570.0	Square nut M8 -05-A2E DIN 557	2	PC
3	7.312-017.0	Washer 8-A2 ISO 7089	2	PC

9510 Oven set (2.640-341.0)

---

POS	Description	Quantity	Unit
10	Oven set	1	PC

---



## 10 Oven set

---

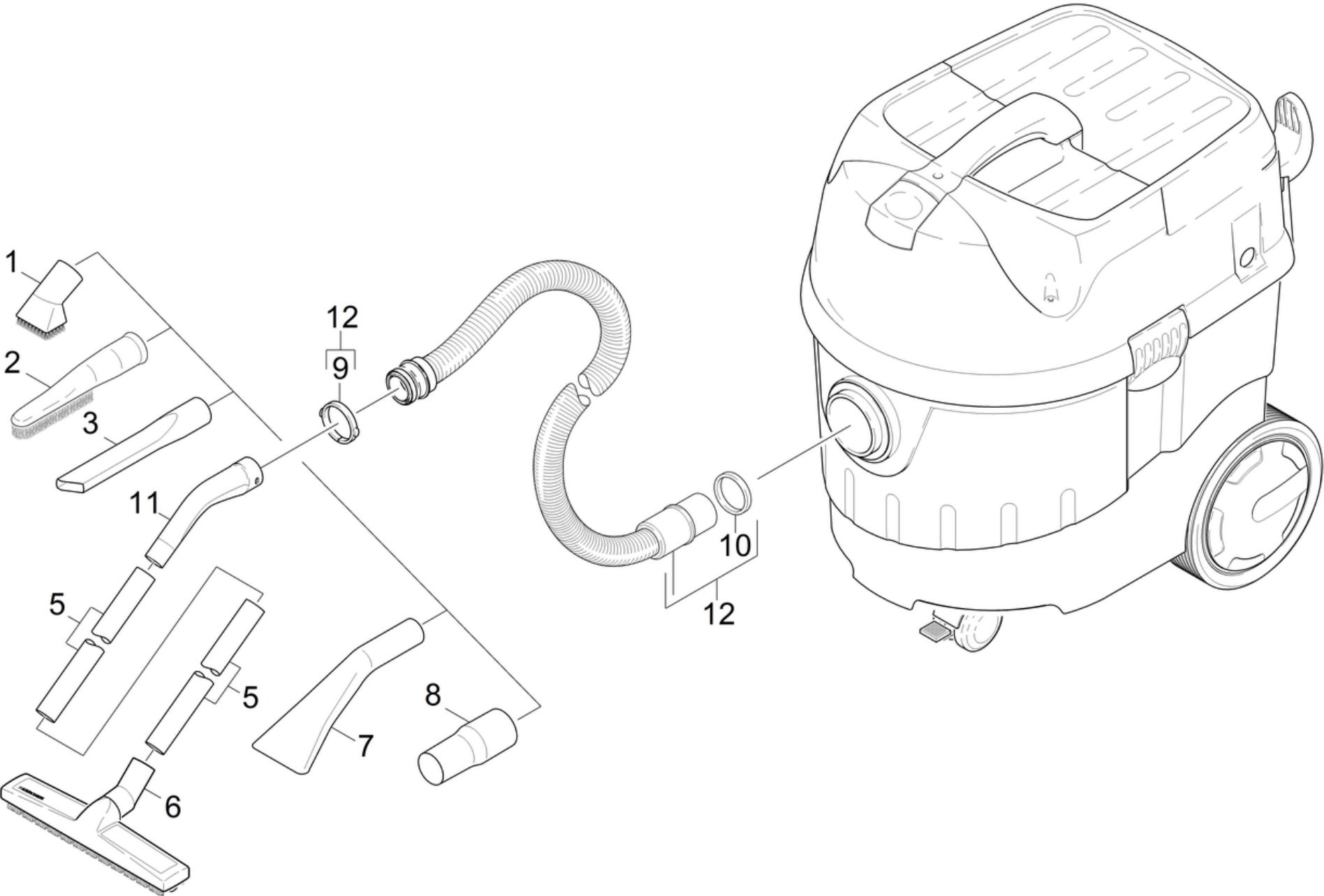
<b>POS</b>	<b>Article no.</b>	<b>Description</b>	<b>Quantity</b>	<b>Unit</b>
1	6.902-124.0	Suction tube DN35	2	PC
2	4.321-161.0	Suction tube complete	1	PC
3	4.440-731.0	Suction hose DN 35	1	PC
4	5.114-105.0	Ring	1	PC
5	5.470-014.0	Coupler	1	PC
6	5.317-105.0	Bolt	2	PC
7	6.276-043.0	Washer felt	4	PC
8	5.515-196.0	Roller	2	PC
9	6.330-222.0	Spring clip	2	PC
10	4.130-173.0	Bakery nozzle DN35	1	PC
11	6.903-239.0	Plate spring	2	PC

9511 Bakery set C-DN40 (2.640-436.0)

---

POS	Description	Quantity	Unit
10	Bakery set	1	PC

---





## 10 Bakery set

POS	Article no.	Description	Quantity	Unit	Remark
1	6.903-862.0	Suction brush DN35	1	PC	
2	2.863-221.0	Suction brush kit WD 2pc.	1	PC	
3	2.889-160.0	Crevice nozzle wet and dry packaged NW40	1	PC	225mm
3	6.903-033.0	Crevice nozzle DN40	1	PC	300mm
5	6.900-275.0	Suction tube DN40-0,55m	2	PC	
6	6.907-408.0	Floor tool packaged basalt grey DN40	1	PC	
7	6.906-108.0	Car nozzle DN35	1	PC	
8	5.407-109.0	Sleeve with cone C40 / DN35	1	PC	
9	5.031-905.0	Tension ring C40	1	PC	
10	6.273-009.0	Joint ring EPDM	1	PC	
11	5.032-427.0	Elbow C40	1	PC	
12	6.907-363.0	Suction hose electrically conducting C40	1	PC	

6 Floor tool packaged basalt grey DN40 (6.907-408.0)

---

<b>POS</b>	<b>Article no.</b>	<b>Description</b>	<b>Quantity</b>	<b>Unit</b>
10	4.515-342.0	Roller complete with axle	1	PC
20	6.905-877.0	Rubber lip set only for replacement	1	PC
30	6.905-878.0	Brush strips set only for replacement	1	PC