

Spare parts list

(1.512-040.0) SC 2 Premium (white) *EU

Table of contents

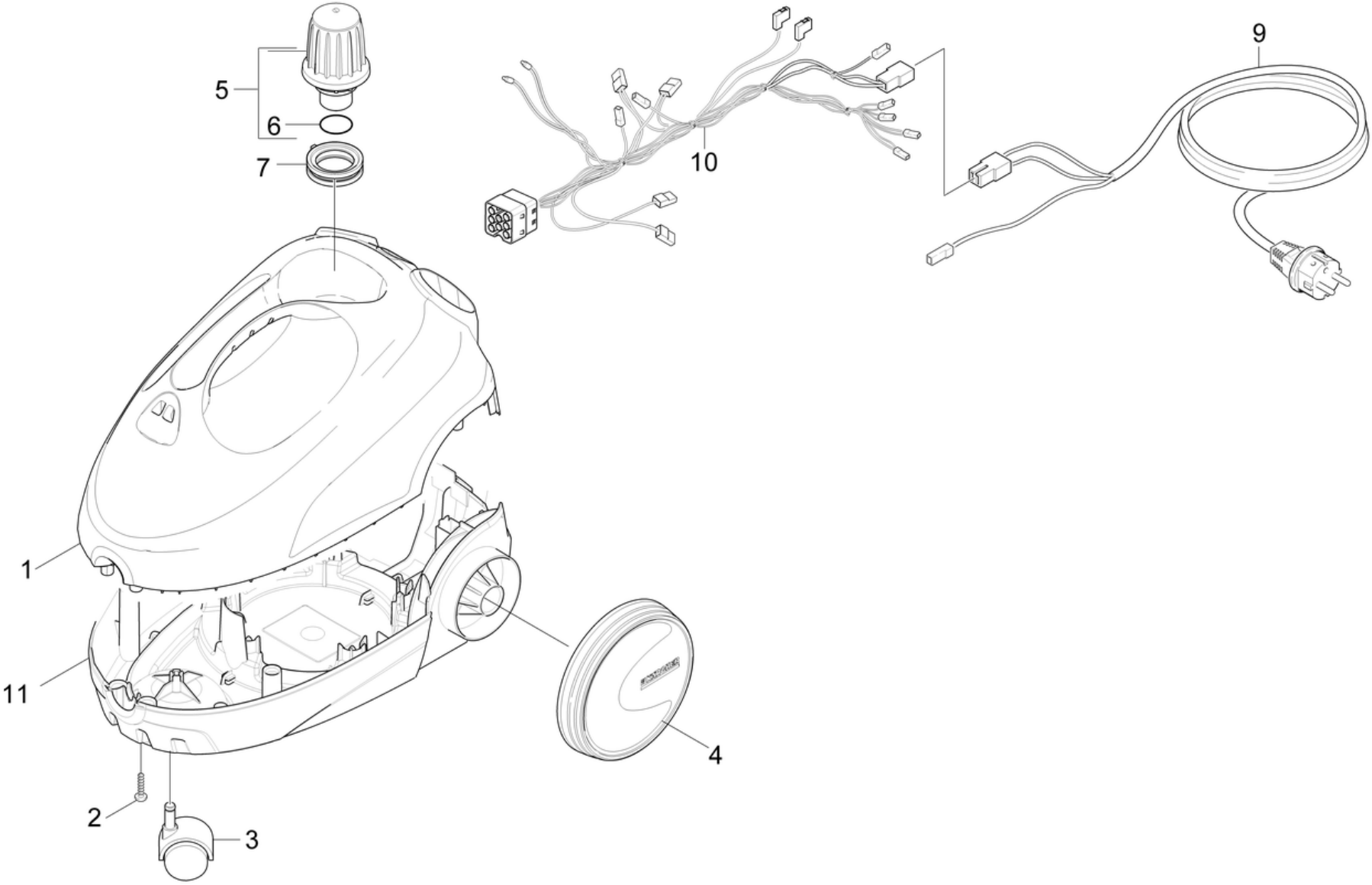
SC 2 Premium (white) *EU (1.512-040.0)	3
Spare parts list SC 2 Premium EU _wh (5.973-215.0)	4
10 Housing	5
5 Safety lock complete replacement (4.590-105.0)	7
20 Boiler	9
1 Boiler complete replacement SC 1.020 (4.070-818.0)	11
1 Thermostat complete replacement (4.746-033.0)	13
9002 Elbow nipple set replacement (4.509-000.0)	15
9000 Elbow nipple set replacement (4.509-000.0)	17
30 Steam hose	19
1 Steam hose without plug bk/gy (4.321-997.0)	21
40 Accessories	23
2 Point jet nozzle complete PA (4.130-021.0)	25
7 Power nozzle (2.884-282.0)	27
8 Extension pipe bk/gy (4.127-027.0)	29

SC 2 Premium (white) *EU (1.512-040.0)

POS	Article no.	Description	Quantity	Unit
0	5.973-215.0	Spare parts list SC 2 Premium EU _wh	1.000	ST
	Item text2: 15122010			

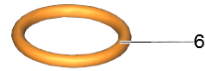
Spare parts list SC 2 Premium EU _wh (5.973-215.0)

POS	Description	Quantity	Unit
40	Accessories	1.000	ST
20	Boiler	1.000	ST
10	Housing	1.000	ST
30	Steam hose	1.000	ST



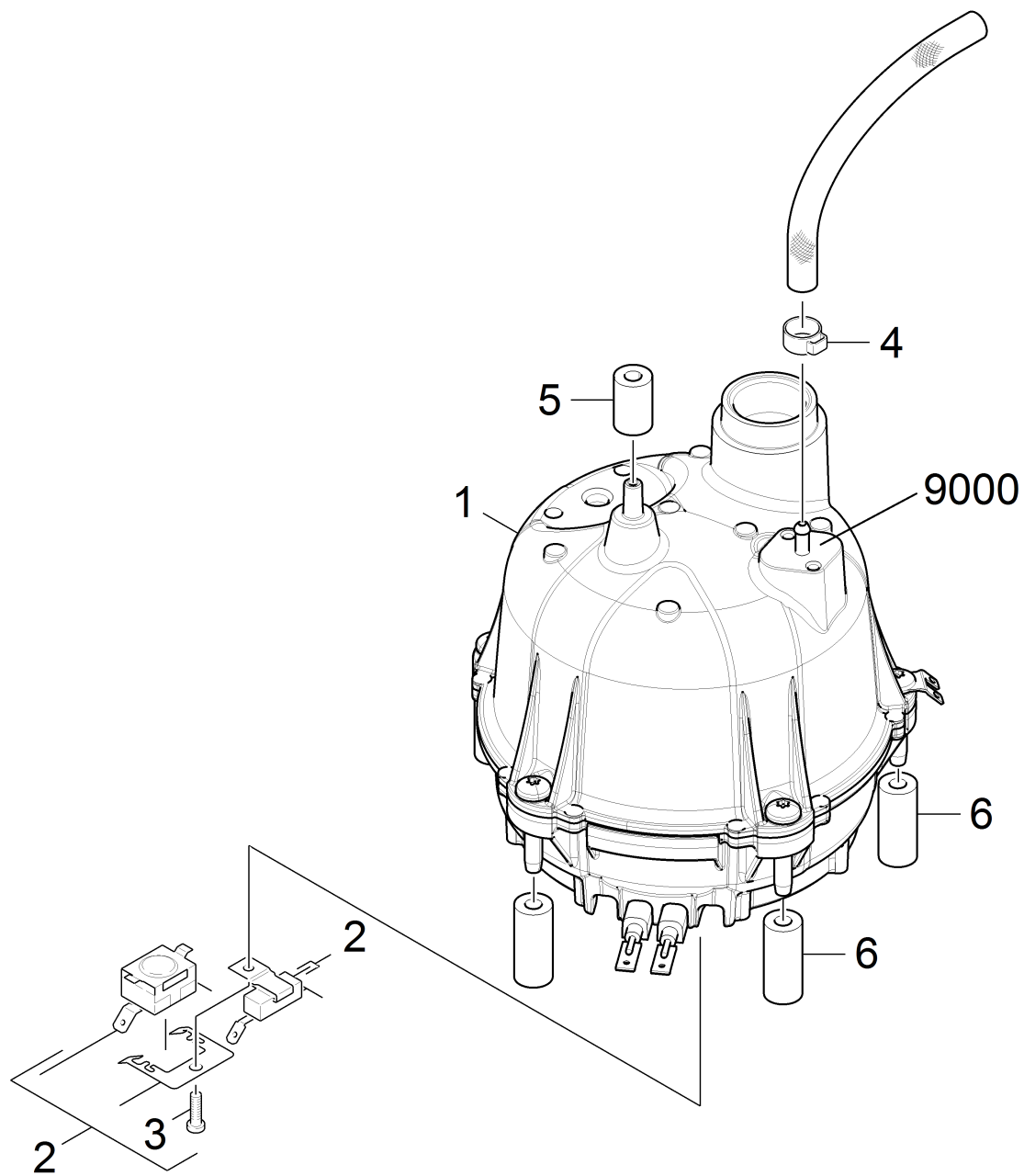
10 Housing

POS	Article no.	Description	Quantity	Unit
10	4.039-183.0	Cable set SC 1.020 *EU	1.000	ST
9	6.649-797.0	Cable with plug EU 4m	1.000	ST
3	6.435-857.0	Castor	1.000	ST
11	5.512-072.0	Housing bottom part gy floortool	1.000	ST
4	4.515-307.0	Impeller kit replacement	1.000	ST
6	6.363-468.0	O-Ring seal EPDM 22x3	1.000	ST
5	4.590-105.0	Safety lock complete replacement	1.000	ST
2	7.303-108.0	Screw 5x20 -10.9-R2R (In6Rd)	1.000	ST
7	5.363-635.0	Seal	1.000	ST
1	4.512-084.0	Upper housing complete replacement SC 2	1.000	ST



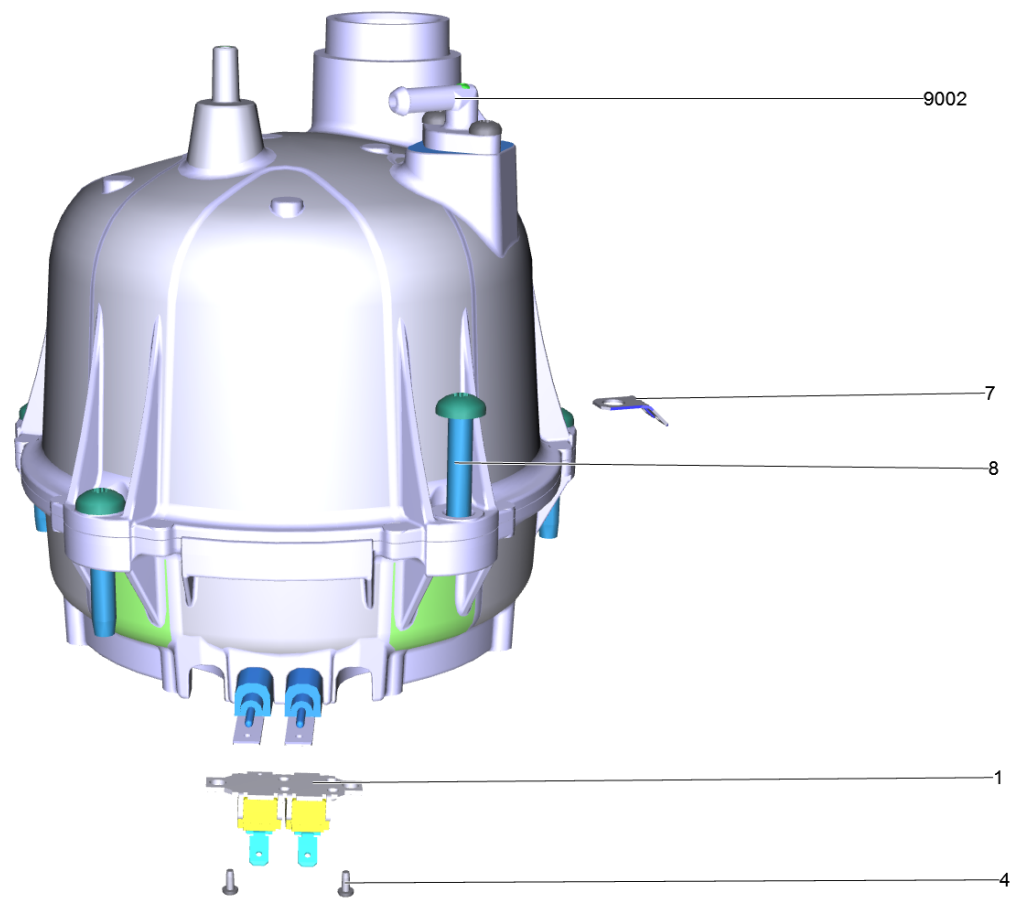
5 Safety lock complete replacement (4.590-105.0)

POS	Article no.	Description	Quantity	Unit
6	6.363-468.0	O-Ring seal EPDM 22x3	1.000	ST



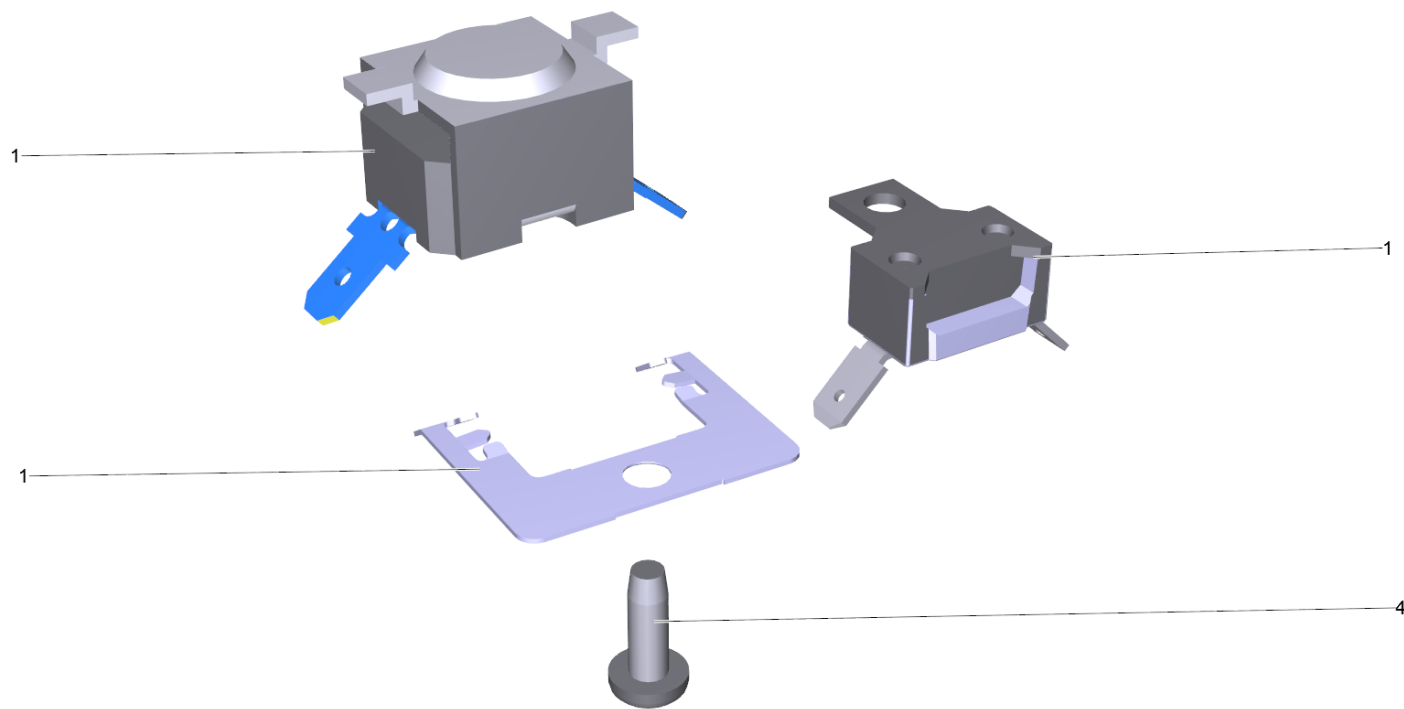
20 Boiler

POS	Article no.	Description	Quantity	Unit
5	6.512-002.0	Bearing rubber above	1.000	ST
6	6.512-001.0	Bearing rubber bottom	1.000	ST
1	4.070-818.0	Boiler complete replacement SC 1.020	1.000	ST
9000	4.509-000.0	Elbow nipple set replacement	1.000	ST
4	6.389-993.0	Hose clip 7,5 - 9,0	1.000	ST
3	7.303-031.0	Screw M4x10 -St-P2R (In6Rd)	1.000	ST
2	6.630-269.0	Thermostat 143/260°C TR-TS Discomelt 2	1.000	ST
	Item text1: 1.512-000.0 / 001.0 / 002.0 / 008.0 /			
	Item text2: 020.0 / 040.0 / 041.0.			



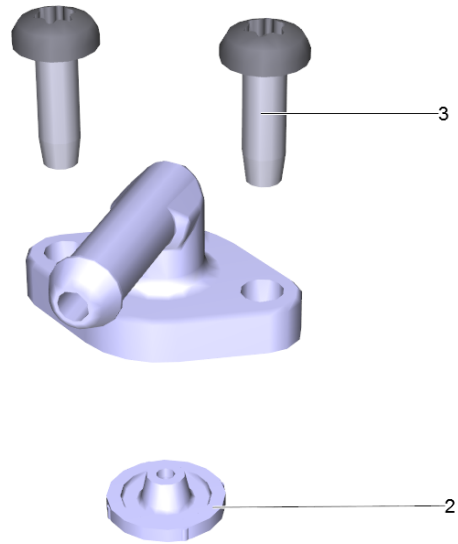
1 Boiler complete replacement SC 1.020 (4.070-818.0)

POS	Article no.	Description	Quantity	Unit
1	6.630-649.0	Combination TR-TS Discomelt 2	1.000	ST
	Item text1: 1.512-045.0 /			
9002	4.509-000.0	Elbow nipple set replacement	1.000	ST
8	6.303-324.0	M6 X 32 TORX DRIVE PAN HD SPECIAL POINT	5.000	ST
4	7.303-031.0	Screw M4x10 -St-P2R (In6Rd)	2.000	ST
7	6.651-519.0	Tab	1.000	ST
1	6.630-269.0	Thermostat 143/260°C TR-TS Discomelt 2	1.000	ST
	Item text1: 1.512-004.0//005.0/006.0/009.0/011.0/042.0/044.0 /046.0/050.0/051.0 /052.0/053.0/055/056.0/058.0/060.0/070.0 /072.0/090.0/091.0/092.0			
1	4.746-033.0	Thermostat complete replacement	1.000	ST



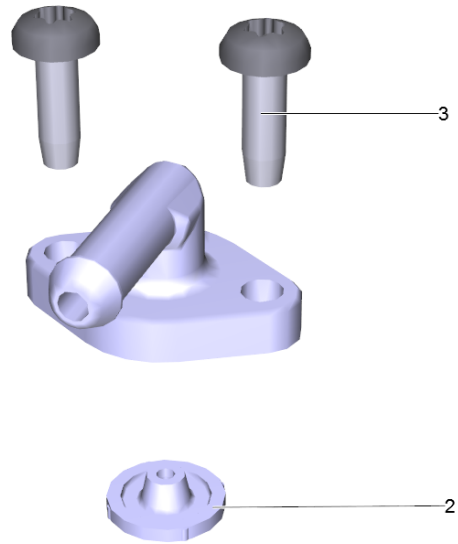
1 Thermostat complete replacement (4.746-033.0)

POS	Article no.	Description	Quantity	Unit
4	7.303-031.0	Screw M4x10 -St-P2R (In6Rd)	2.000	ST
1		Thermostat 143°	1.000	ST



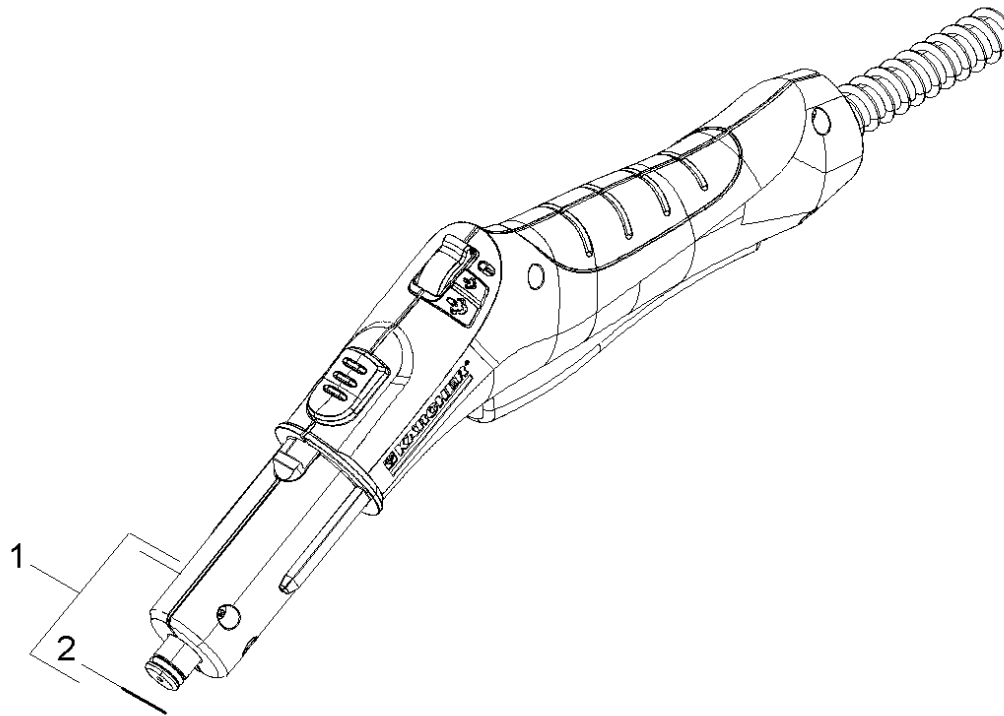
9002 Elbow nipple set replacement (4.509-000.0)

POS	Article no.	Description	Quantity	Unit
3	7.303-032.0	Screw M4x12 -St-R2R (In6Rd)	2.000	ST
2	5.363-770.0	Seal throttle 1800W	1.000	ST



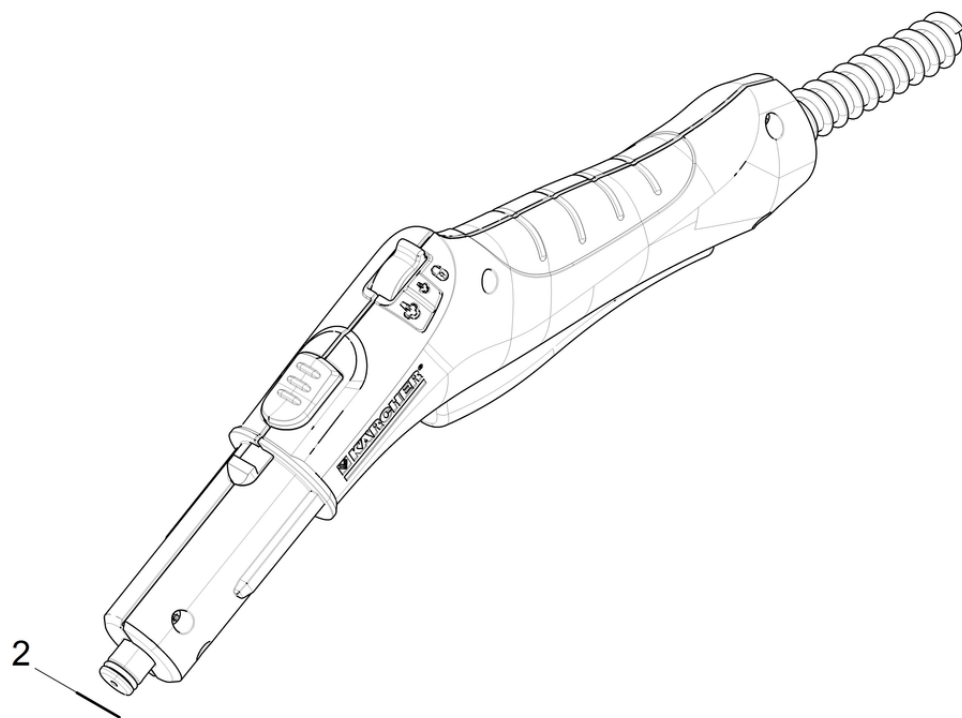
9000 Elbow nipple set replacement (4.509-000.0)

POS	Article no.	Description	Quantity	Unit
3	7.303-032.0	Screw M4x12 -St-R2R (In6Rd)	2.000	ST
2	5.363-770.0	Seal throttle 1800W	1.000	ST



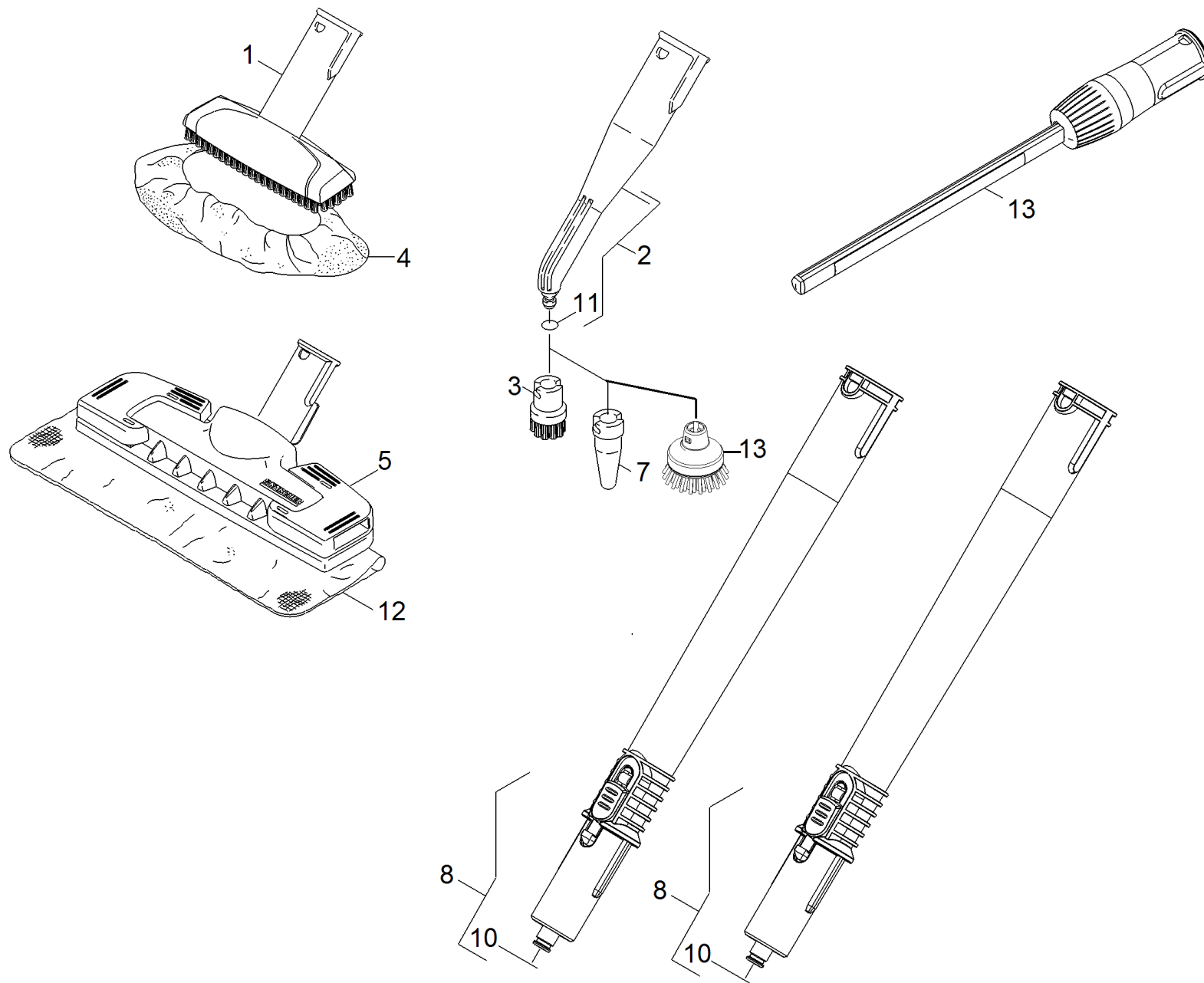
30 Steam hose

POS	Article no.	Description	Quantity	Unit
2	6.362-922.0	O-Ring seal 8,73x1,78	1.000	ST
1	4.321-997.0	Steam hose without plug bk/gy	1.000	ST



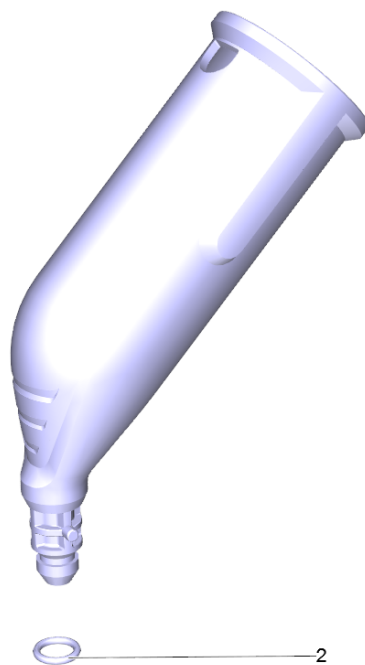
1 Steam hose without plug bk/gy (4.321-997.0)

POS	Article no.	Description	Quantity	Unit
1	6.362-922.0	O-Ring seal 8,73x1,78	1.000	ST



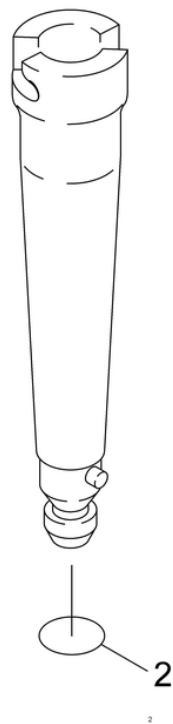
40 Accessories

POS	Article no.	Description	Quantity	Unit
3	2.863-058.0	Bristle rink set	1.000	ST
3	2.863-061.0	Bristle rink set CuZn	1.000	ST
12	6.369-357.0	Cloth set	1.000	ST
4	6.370-990.0	Cloth set	1.000	ST
12	2.863-171.0	Cloth set Steam+Clean Bath	1.000	ST
12	2.863-174.0	Cloth set Steam+Clean Cover	1.000	ST
12	2.863-173.0	Cloth set Steam+Clean Floor	1.000	ST
8	4.127-027.0	Extension pipe bk/gy	2.000	ST
5	4.130-018.3	Floor tool better	1.000	ST
1	2.884-280.0	Hand nozzle	1.000	ST
11	6.362-186.0	O-Ring seal 7,65X 1,78	1.000	ST
10	6.362-922.0	O-Ring seal 8,73x1,78	2.000	ST
2	4.130-021.0	Point jet nozzle complete PA	1.000	ST
7	2.884-282.0	Power nozzle	1.000	ST
13	2.863-022.0	Round brush large special accessories	1.000	ST



2 Point jet nozzle complete PA (4.130-021.0)

POS	Article no.	Description	Quantity	Unit
2	6.362-186.0	O-Ring seal 7,65X 1,78	1.000	ST



7 Power nozzle (2.884-282.0)

POS	Article no.	Description	Quantity	Unit
2	6.362-924.0	O-Ring seal 6,02X 2,62	1.000	ST

8 Extension pipe bk/gy (4.127-027.0)

POS	Article no.	Description	Quantity	Unit
4	6.362-922.0	O-Ring seal 8,73x1,78	1.000	ST
