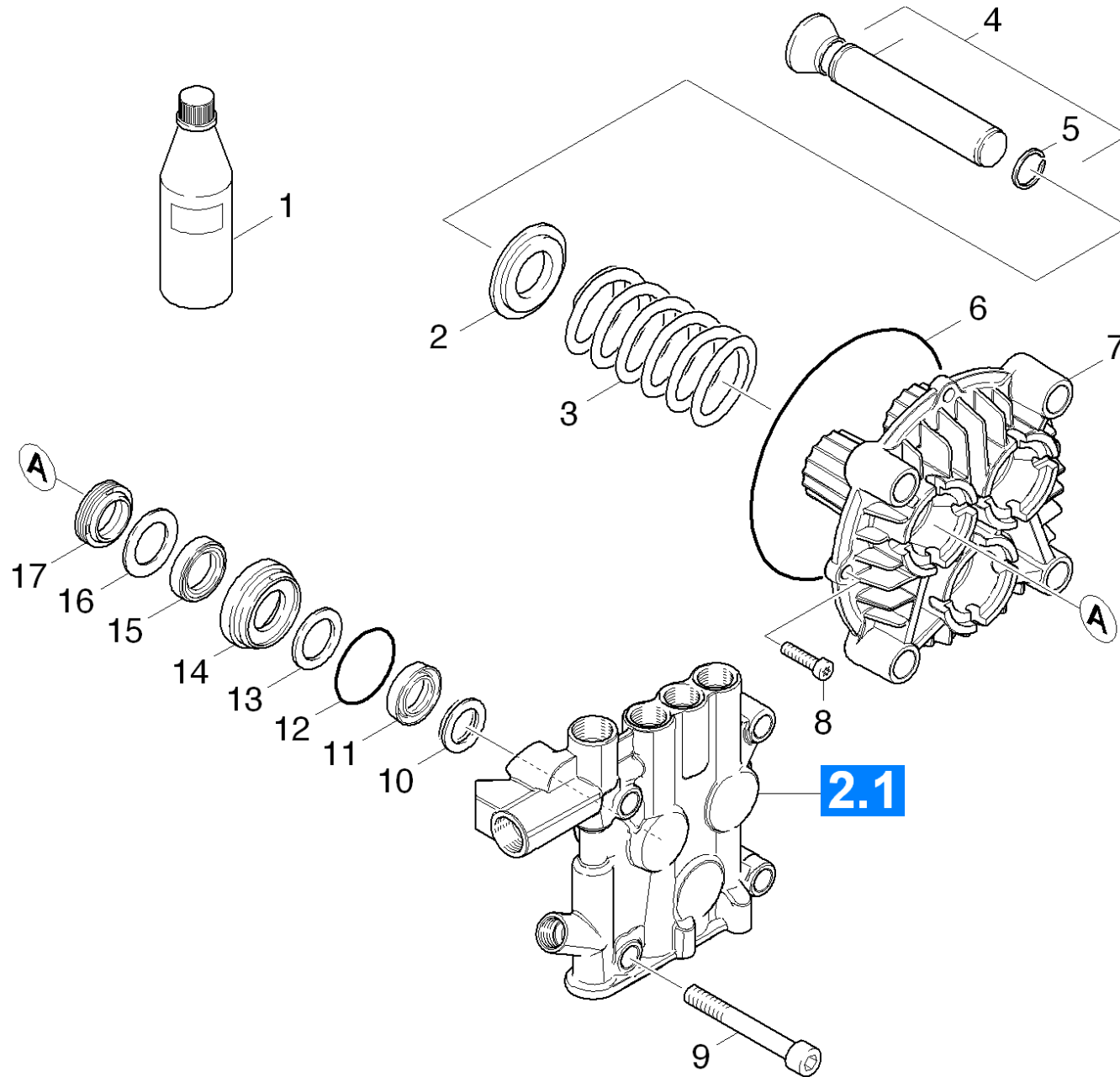


# 22 Piston

Professional \ High pressure cleaner hotwater \ Electric motor \ HDS 10/20 -4M \*EU-II \ Spare parts list HDS 10/20 \ Pump set \ Piston



## 22 Piston

Professional \ High pressure cleaner hotwater \ Electric motor \ HDS 10/20 -4M \*EU-II \ Spare parts list HDS 10/20 \ Pump set \ Piston

**KÄRCHER**

POS	Article no.	Description	Quantity	Unit
1	6.288-016.0	Gear oil 1L	1.000	ST
2	5.115-991.0	Washer	3.000	ST
3	5.332-187.0	Helical spring	3.000	ST
4	4.553-282.0	Piston complete only for replacement	3.000	ST
5	6.472-331.0	Snap ring 20	3.000	ST
6	6.363-228.0	O-Ring seal 114 x 3	1.000	ST
7	5.060-936.3	Thrust guidance D 20	1.000	ST
8	7.306-105.0	Screw M6x30 -8.8-R3R (In6Rd)	2.000	ST
9	7.306-155.0	Cylinder head screw M12x100 -8.8-A3E IS	4.000	ST
10	6.365-378.0	Supportring 20x30x4,2	3.000	ST
11	6.365-377.0	Grooved ring 20x30x6	3.000	ST
12	6.362-092.0	O-Ring seal 36,0 X 2,0-NBR 70	3.000	ST
13	5.115-538.0	Washer	3.000	ST
14	5.112-832.0	Bush	3.000	ST
15	6.365-053.0	Compact seal 20X30X6	3.000	ST
16	5.115-537.0	Washer	3.000	ST
17	6.365-052.0	Grooved ring 20X28X6/8	3.000	ST