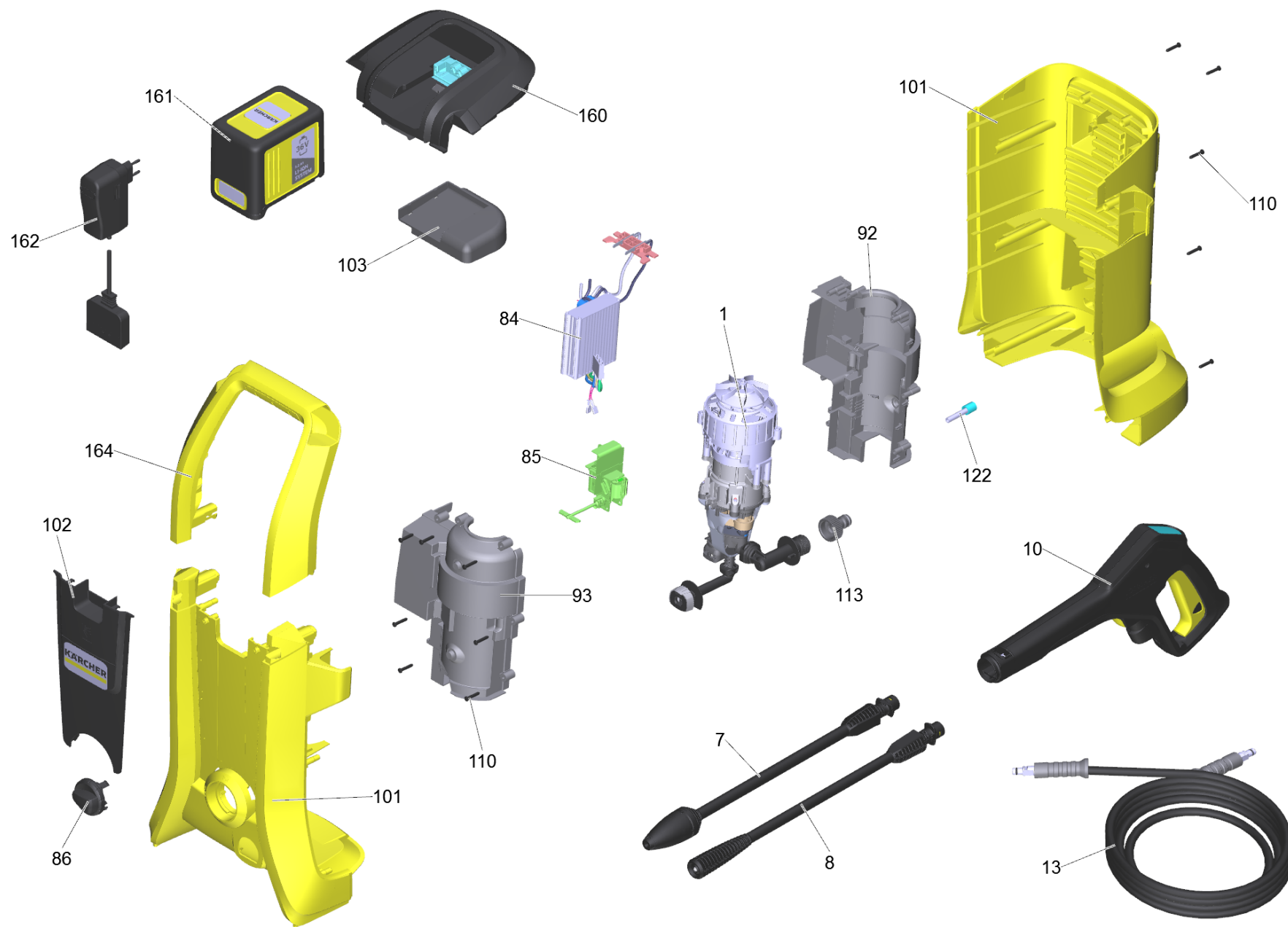


Spare parts list

(1.117-220.0) K 2 Battery Set *EU

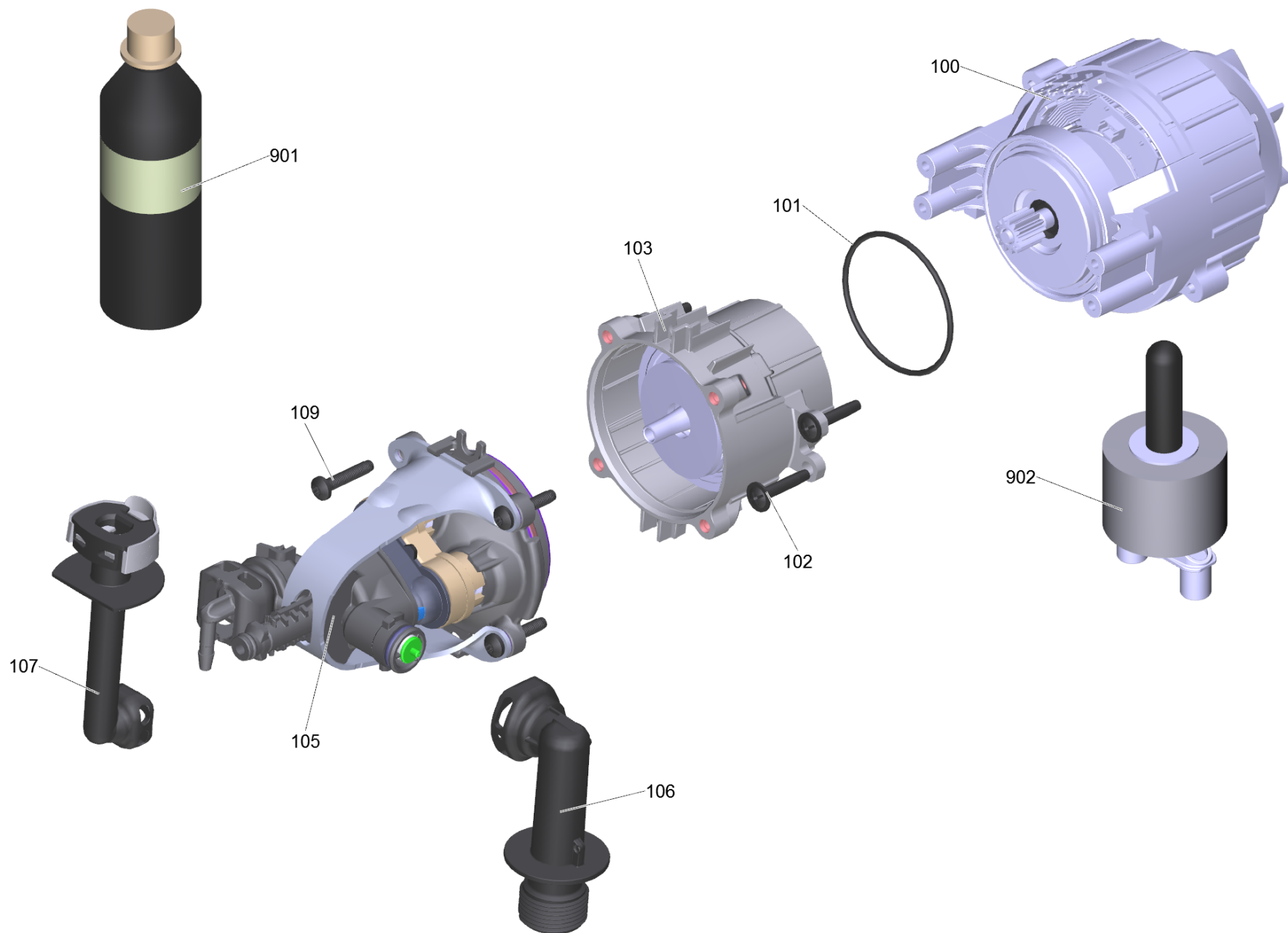
Table of contents

K 2 Battery Set *EU (1.117-220.0)	3
1 Pump set RV upr. K2 Batt. (36V)	5
103 Gear complete lift 4,7 RV upr.	7
901 Spare part set planet wheel (4.100-662.0)	9
105 Cylinder head for replacement (981) RV (4.551-144.0)	11
1 Cylinder head complete RV K2.0X	12
Cylinder head only for replacement (4.551-159.3)	14
40 Cylinder head RV K2.0X	16
45 Spare parts set control piston with nipp (2.885-397.0)	18
2 Spare parts set nipple chemistry RV (2.885-396.0)	20
43 Thrust guidance complete quadruple	21
106 Suction cover for replacement with SV5 ((4.063-913.0)	23
107 High-pressure outlet with clamp for repl (4.064-047.0)	25
7 Dirt blaster 25 K Boost (4.764-324.0)	27
8 Jet pipe single 040 K (4.760-191.0)	29
10 G 120 Q Boost (4.775-147.0)	31
13 High pressure hose 12MPa/4 40°C QCS B (6.396-513.0)	33
85 Switch complete RV *EU f. K2 Batt.	35
122 Filter with hose RM 0,50 *	37
160 Housing above complete K2 Battery	39



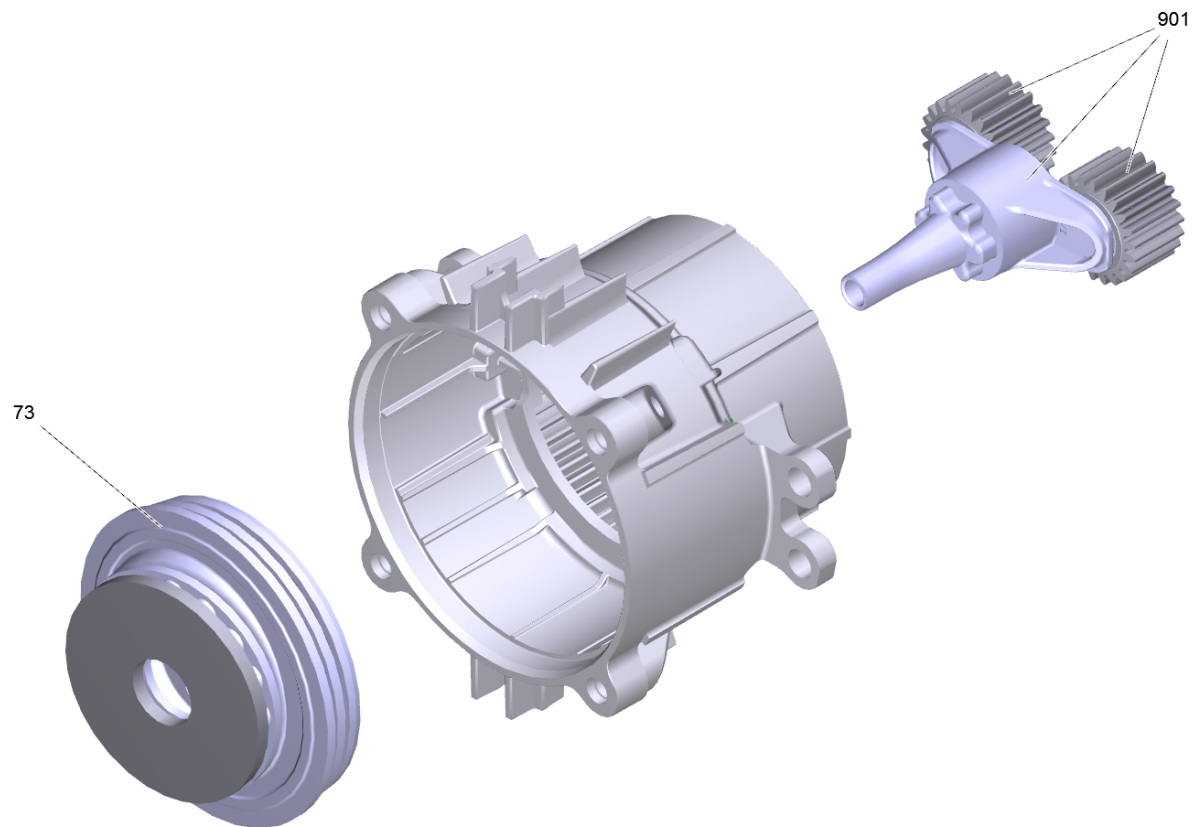
K 2 Battery Set *EU (1.117-220.0)

POS	Article no.	Description	Quantity	Unit
1		Pump set RV upr. K2 Batt. (36V)	1.000	ST
7	4.764-324.0	Dirt blaster 25 K Boost	1.000	ST
8	4.760-191.0	Jet pipe single 040 K	1.000	ST
10	4.775-147.0	G 120 Q Boost	1.000	ST
13	6.396-513.0	High pressure hose 12MPa/4 40°C QCS B	1.000	ST
84	4.100-664.0	Electronic control for replacement K2 Ba	1.000	ST
85		Switch complete RV *EU f. K2 Batt.	1.000	ST
86	5.322-039.0	Handhold switch Modul Range	1.000	ST
92	5.067-632.3	Motor housing left for replacement	1.000	ST
93	5.067-633.3	Motor housing right for replacement	1.000	ST
101	5.067-631.3	Housing pair for replacement K2 Battery	1.000	ST
102	5.131-102.3	Screen for replacement K2 Battery	1.000	ST
103	5.396-990.3	Splash guard only for replacement	1.000	ST
104	5.387-620.0	Warning sticker-Prevent from freezing	1.000	ST
106	5.384-671.0	Label 88 dB	1.000	ST
110	6.303-150.0	Screw 4,2x 22	15.000	ST
113	6.465-031.0	Connection 3/4	1.000	ST
122		Filter with hose RM 0,50 *	1.000	ST
160		Housing above complete K2 Battery	1.000	ST
161	2.445-015.0	Accumulator appliance subpackage 36-52 *	1.000	ST
162	6.445-005.3	Plug-in charger for replacement 36V *EU	1.000	ST
164	5.322-296.3	Handhold only for replacement K2 Battery	1.000	ST



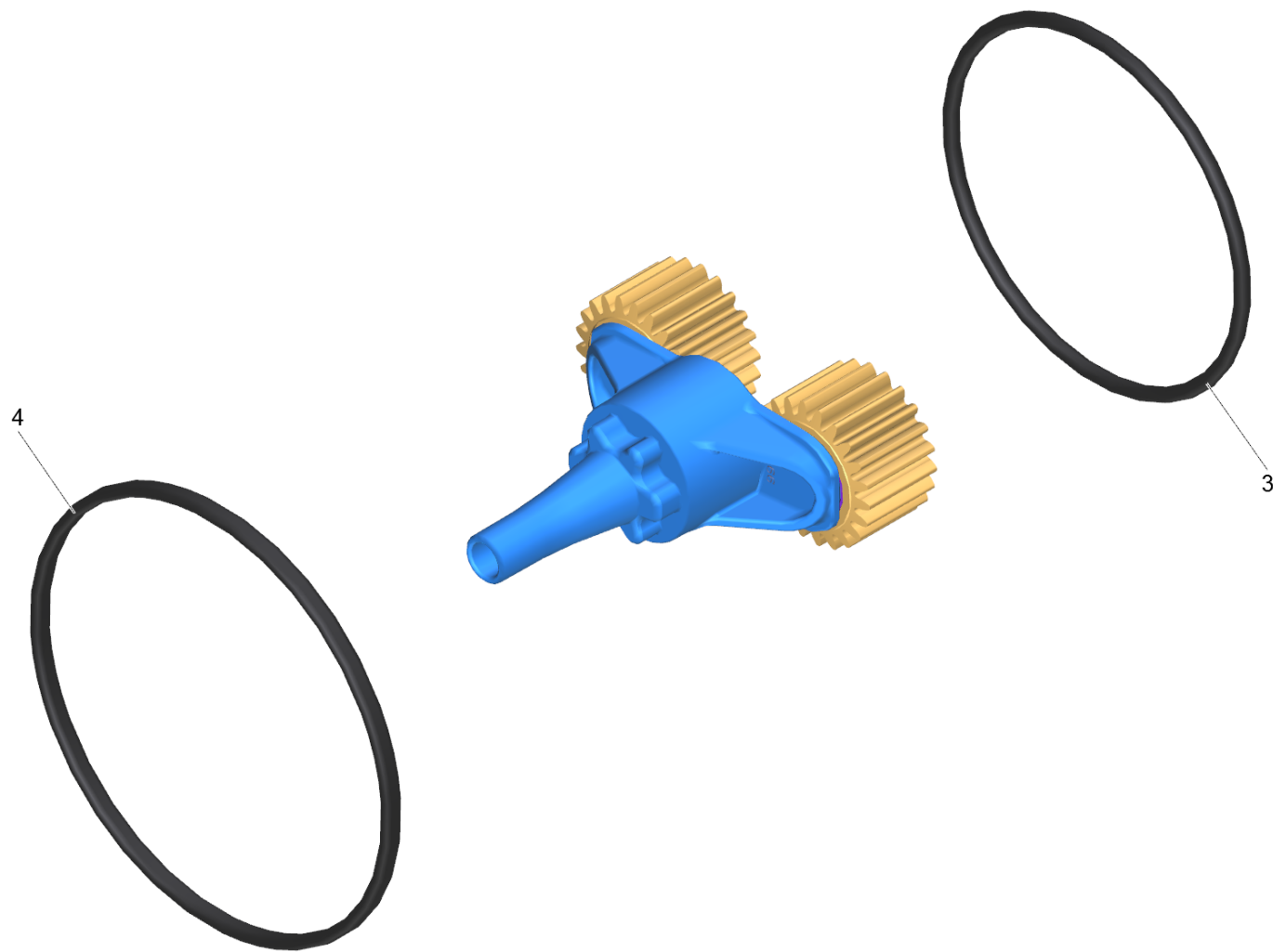
1 Pump set RV upr. K2 Batt. (36V)

POS	Article no.	Description	Quantity	Unit
100	4.100-663.0	Motor only for replacement K2 Battery	1.000	ST
101	6.363-657.0	O-Ring seal 50x2.35 NBR 70	1.000	ST
102	6.303-320.0	Screw M 5x 20-St-R2R	4.000	ST
103		Gear complete lift 4,7 RV upr.	1.000	ST
105	4.551-144.0	Cylinder head for replacement (981) RV	1.000	ST
106	4.063-913.0	Suction cover for replacement with SV5 (1.000	ST
107	4.064-047.0	High-pressure outlet with clamp for repl	1.000	ST
109	6.303-519.0	Screw M5x25-10.9-A2E (IN6RD/T25)	4.000	ST
901	6.288-112.0	Engine oil 10W-60, 1L	1.000	ST
902	2.100-023.0	Special tool motor K2	1.000	ST
		Item text1: Pay attention to Assembly instruction!		
		Item text2: Montageanleitung beachten!		



103 Gear complete lift 4,7 RV upr.

POS	Article no.	Description	Quantity	Unit
73	4.120-193.0	Wobble plate complete lift 4,7	1.000	ST
901	4.100-662.0	Spare part set planet wheel	1.000	ST

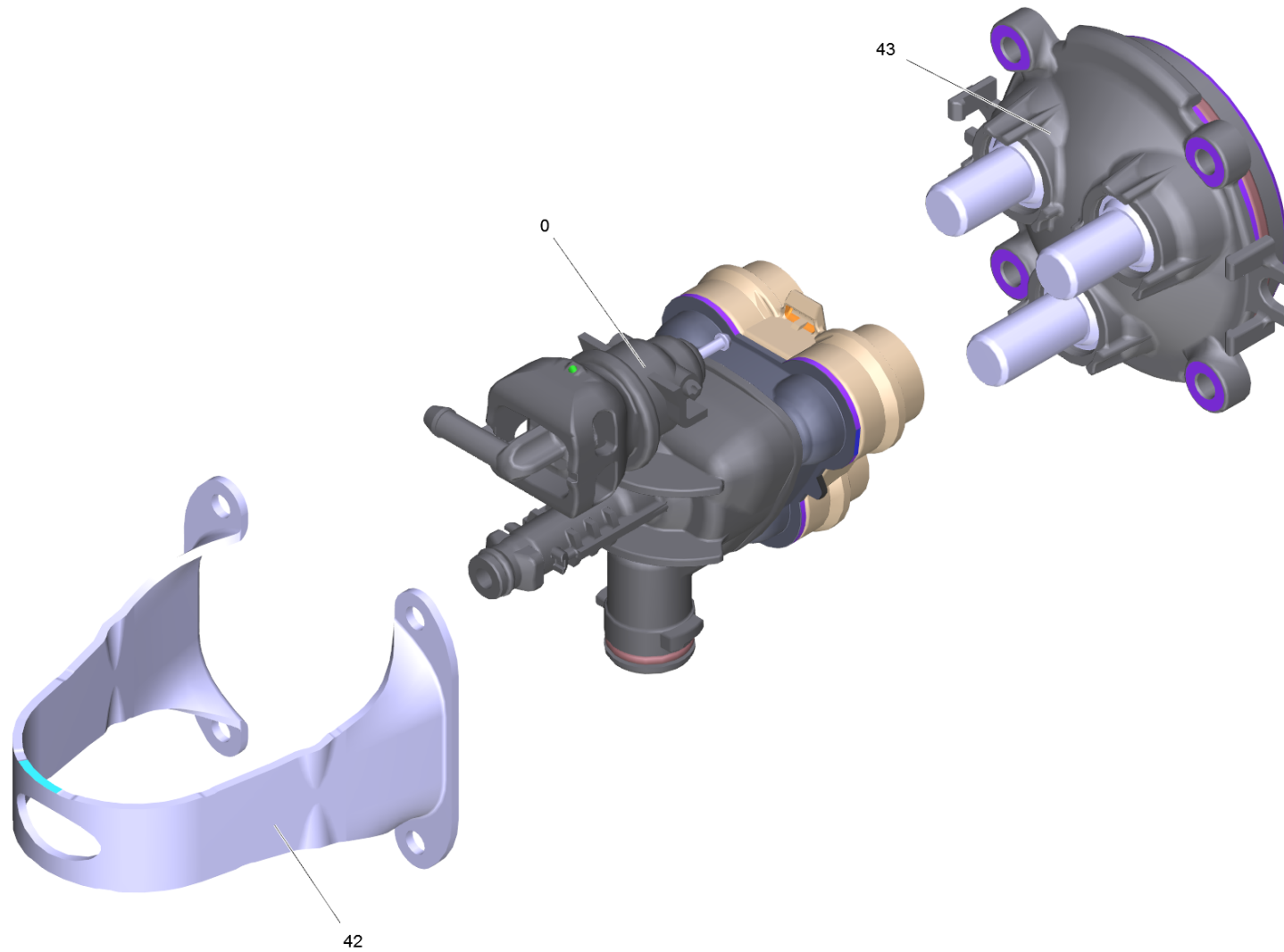


901 Spare part set planet wheel (4.100-662.0)

POS	Article no.	Description	Quantity	Unit
3	6.363-657.0	O-Ring seal 50x2.35 NBR 70	1.000	ST
4	6.362-826.0	O-Ring seal 61,6x2,62	1.000	ST

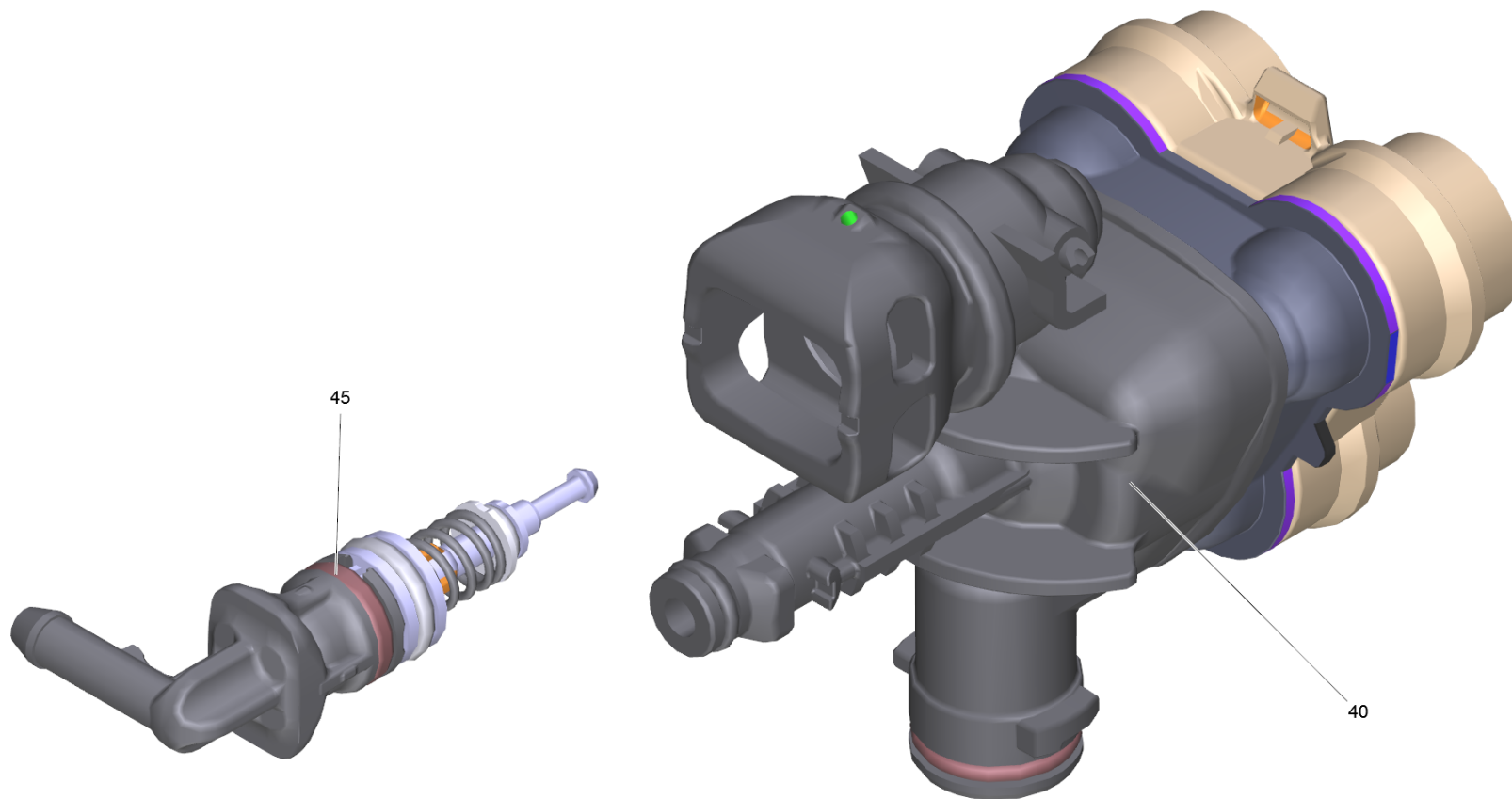
105 Cylinder head for replacement (981) RV (4.551-144.0)

POS	Description	Quantity	Unit
1	Cylinder head complete RV K2.0X	1.000	ST



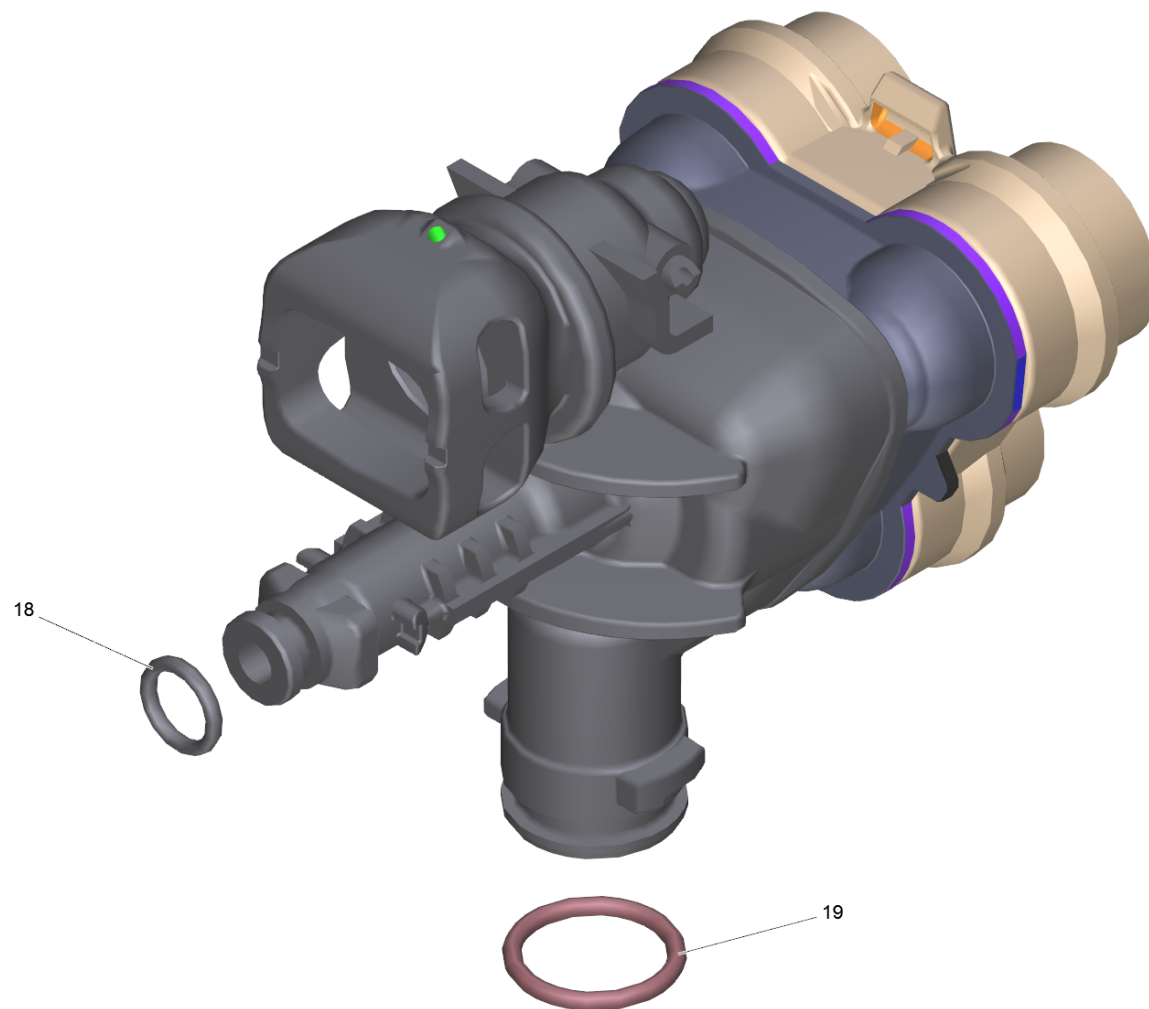
1 Cylinder head complete RV K2.0X

POS	Article no.	Description	Quantity	Unit
0	4.551-159.3	Cylinder head only for replacement	1.000	ST
42	5.051-384.0	Sheet metal component 4-fach	1.000	ST
43		Thrust guidance complete quadruple	1.000	ST



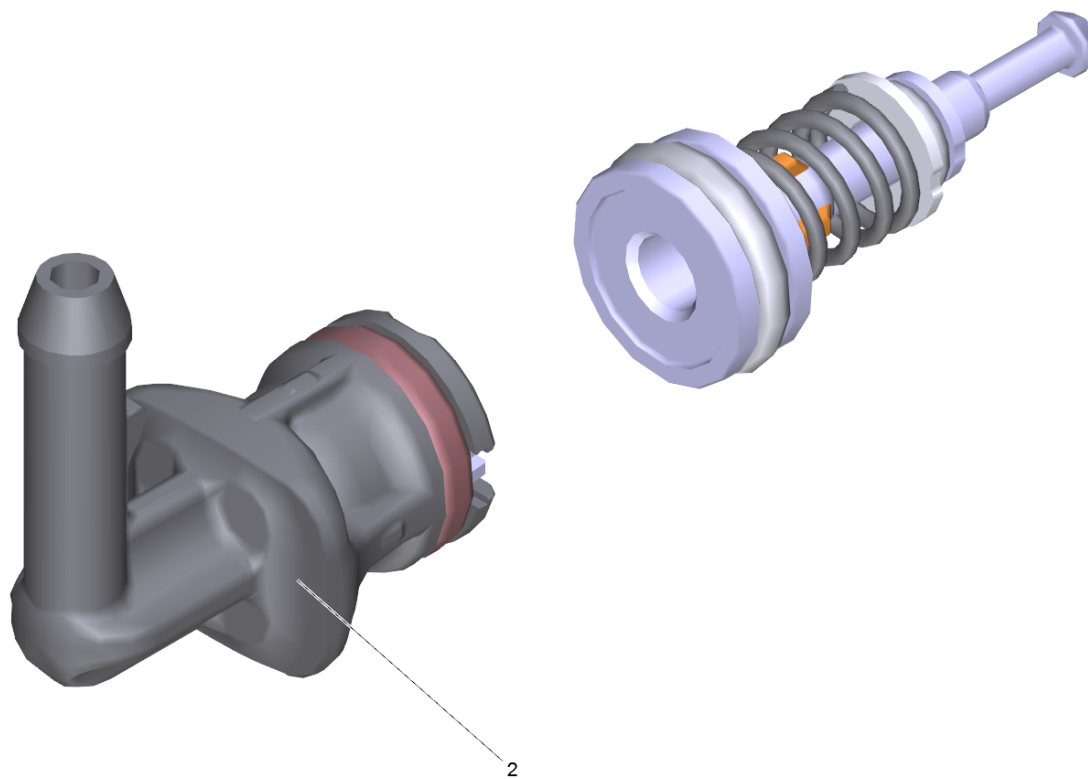
Cylinder head only for replacement (4.551-159.3)

POS	Article no.	Description	Quantity	Unit
40		Cylinder head RV K2.0X	1.000	ST
45	2.885-397.0	Spare parts set control piston with nipp	1.000	ST



40 Cylinder head RV K2.0X

POS	Article no.	Description	Quantity	Unit
18	6.362-113.0	O-Ring seal 6,0 x 2,0 NBR 70	1.000	ST
19	6.362-427.0	O-Ring seal 15,0x2,0	1.000	ST

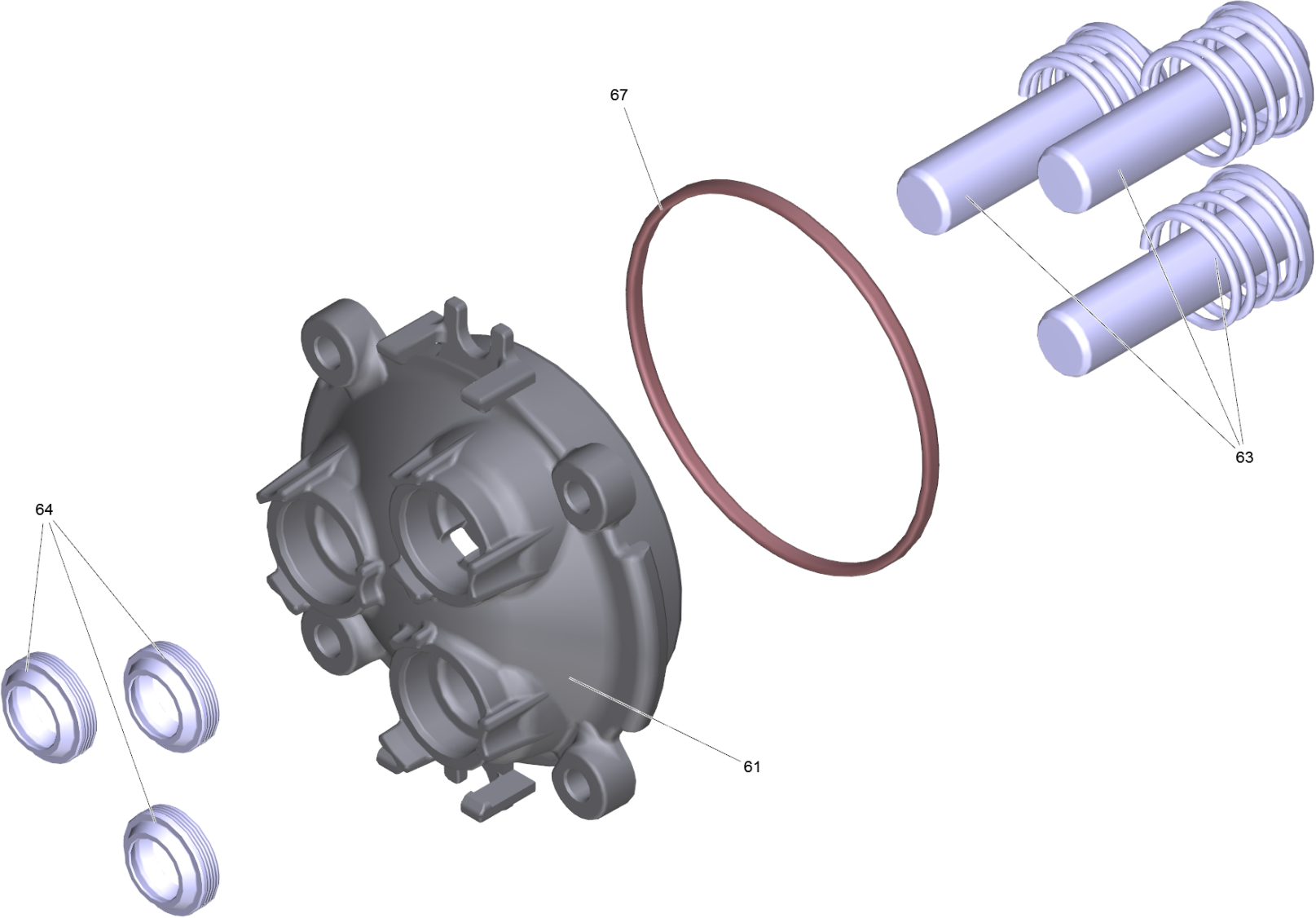


45 Spare parts set control piston with nipp (2.885-397.0)

POS	Article no.	Description	Quantity	Unit
2	2.885-396.0	Spare parts set nipple chemistry RV	1.000	ST

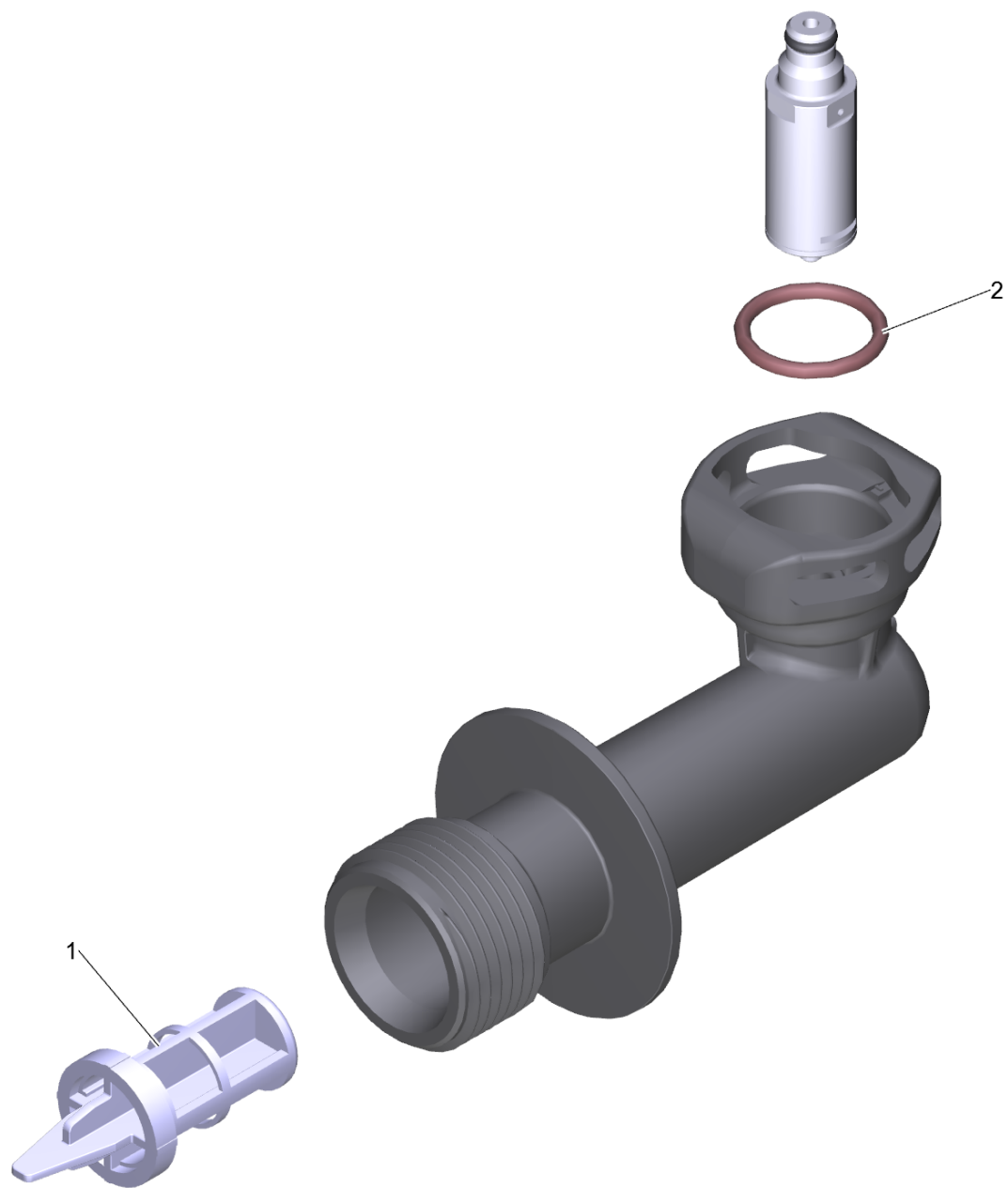
2 Spare parts set nipple chemistry RV (2.885-396.0)

POS	Article no.	Description	Quantity	Unit
2	6.288-088.0	Grease Molikote 55 M	1.000	ST



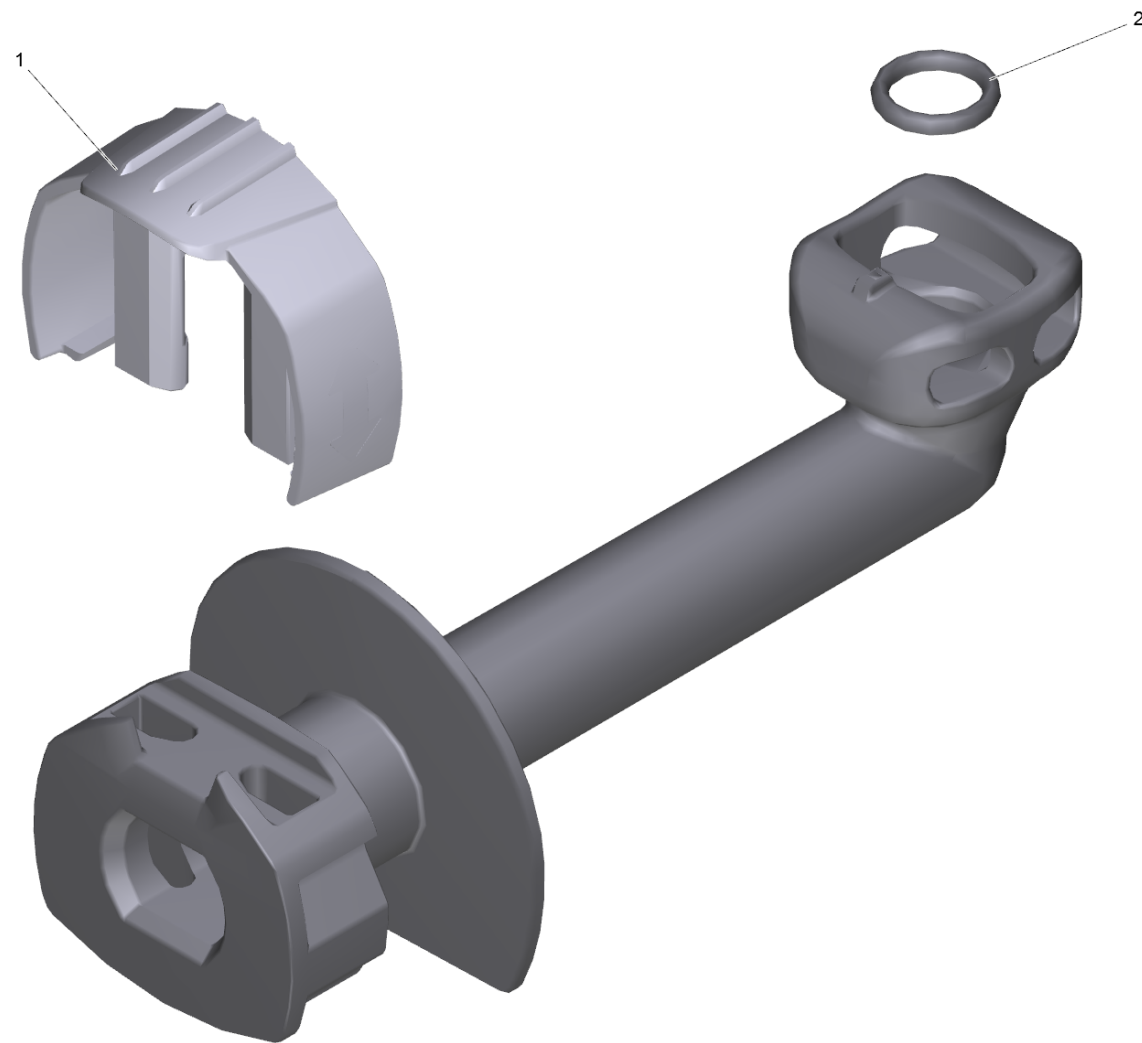
43 Thrust guidance complete quadruple

POS	Article no.	Description	Quantity	Unit
61	5.062-412.0	Thrust guidance V2 R V	1.000	ST
63	2.885-398.0	Spare parts set piston with spring RV	1.000	ST
64	6.365-581.0	Grooved ring 12x18x4/6 NBR 75 Shore A	3.000	ST
67	6.362-826.0	O-Ring seal 61,6x2,62	1.000	ST



106 Suction cover for replacement with SV5 (4.063-913.0)

POS	Article no.	Description	Quantity	Unit
1	5.731-004.0	Fine filter short (2015/17)	1.000	ST
2	6.362-427.0	O-Ring seal 15,0x2,0	1.000	ST



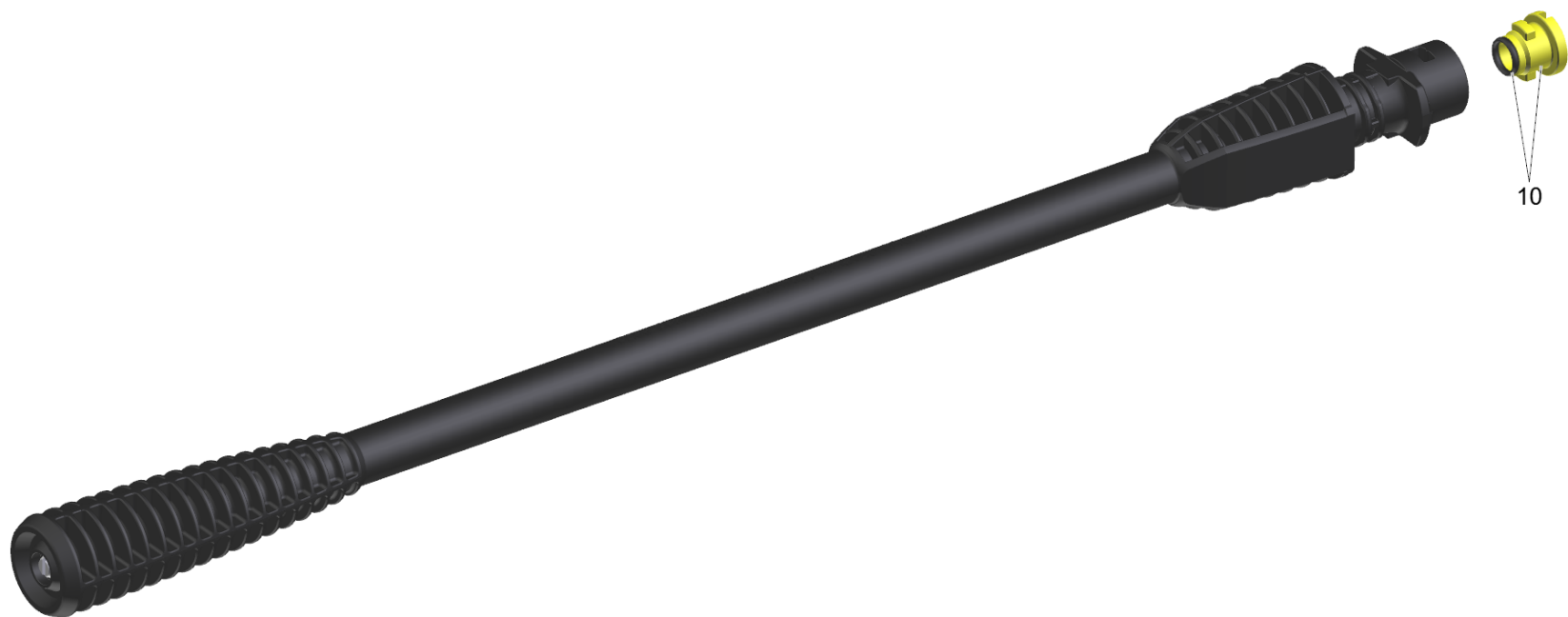
107 High-pressure outlet with clamp for repl (4.064-047.0)

POS	Article no.	Description	Quantity	Unit
1	5.037-463.0	Clamp for high-pressure outlet	1.000	ST
2	6.362-113.0	O-Ring seal 6,0 x 2,0 NBR 70	1.000	ST



7 Dirt blaster 25 K Boost (4.764-324.0)

POS	Article no.	Description	Quantity	Unit
10	2.640-729.0	O-Ring seal set	1.000	ST



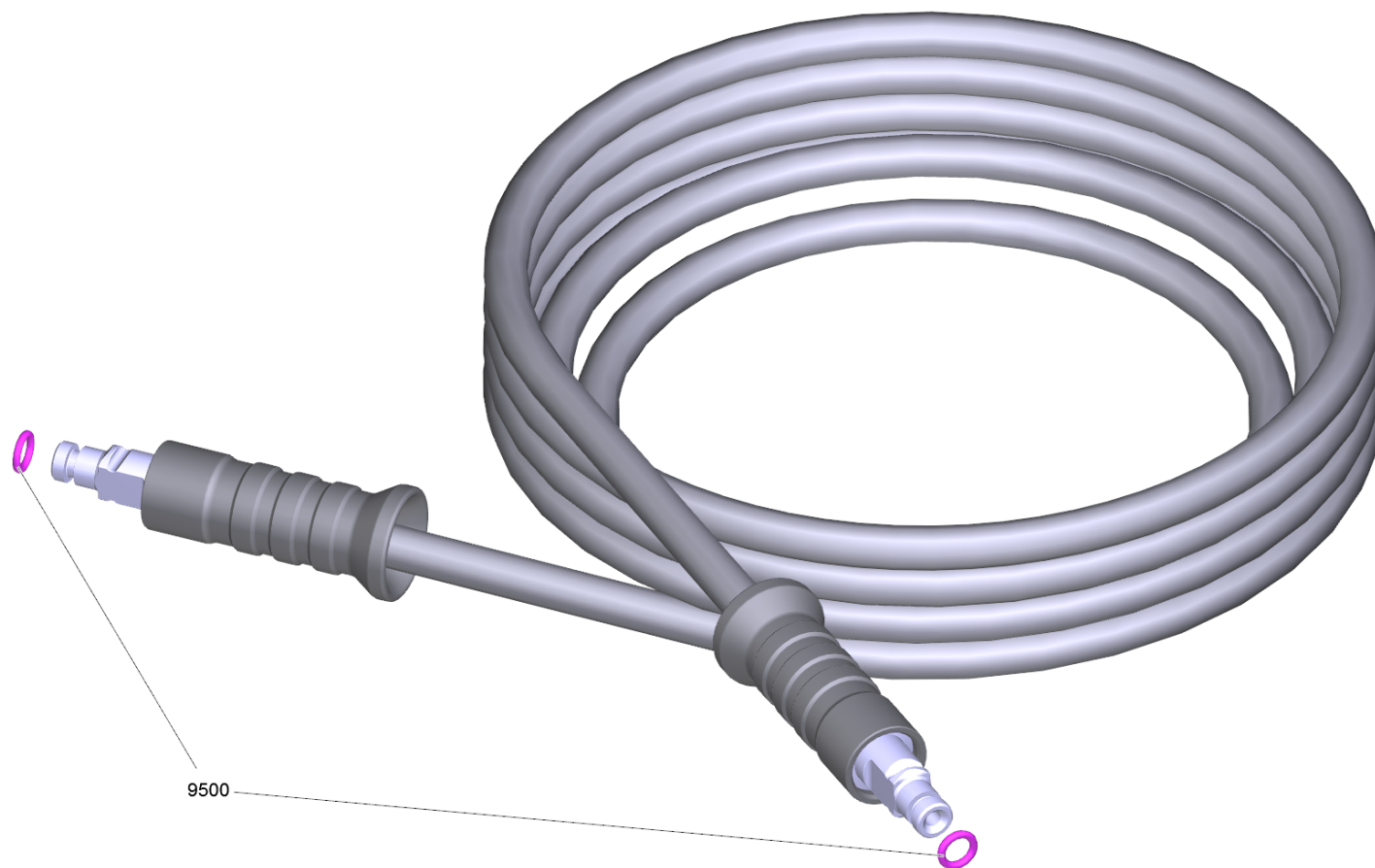
8 Jet pipe single 040 K (4.760-191.0)

POS	Article no.	Description	Quantity	Unit
10	2.640-729.0	O-Ring seal set	1.000	ST



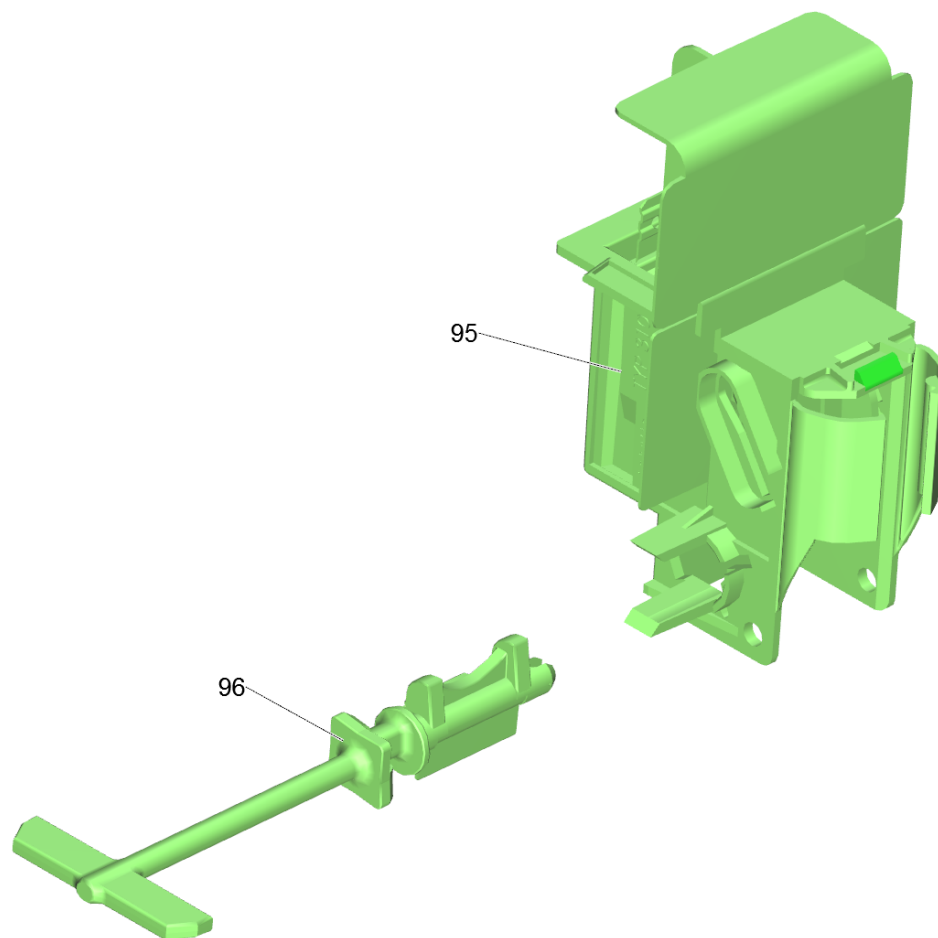
10 G 120 Q Boost (4.775-147.0)

POS	Article no.	Description	Quantity	Unit
1	5.332-464.0	Pressure spring	1.000	ST



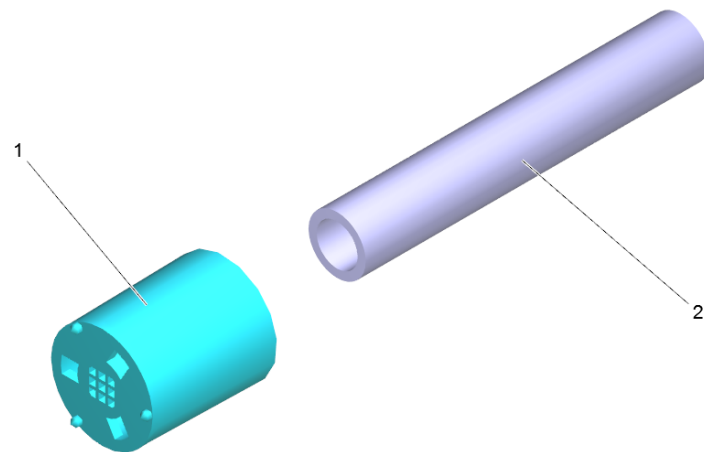
13 High pressure hose 12MPa/4 40°C QCS B (6.396-513.0)

POS	Article no.	Description	Quantity	Unit
9500	2.640-729.0	O-Ring seal set	1.000	ST



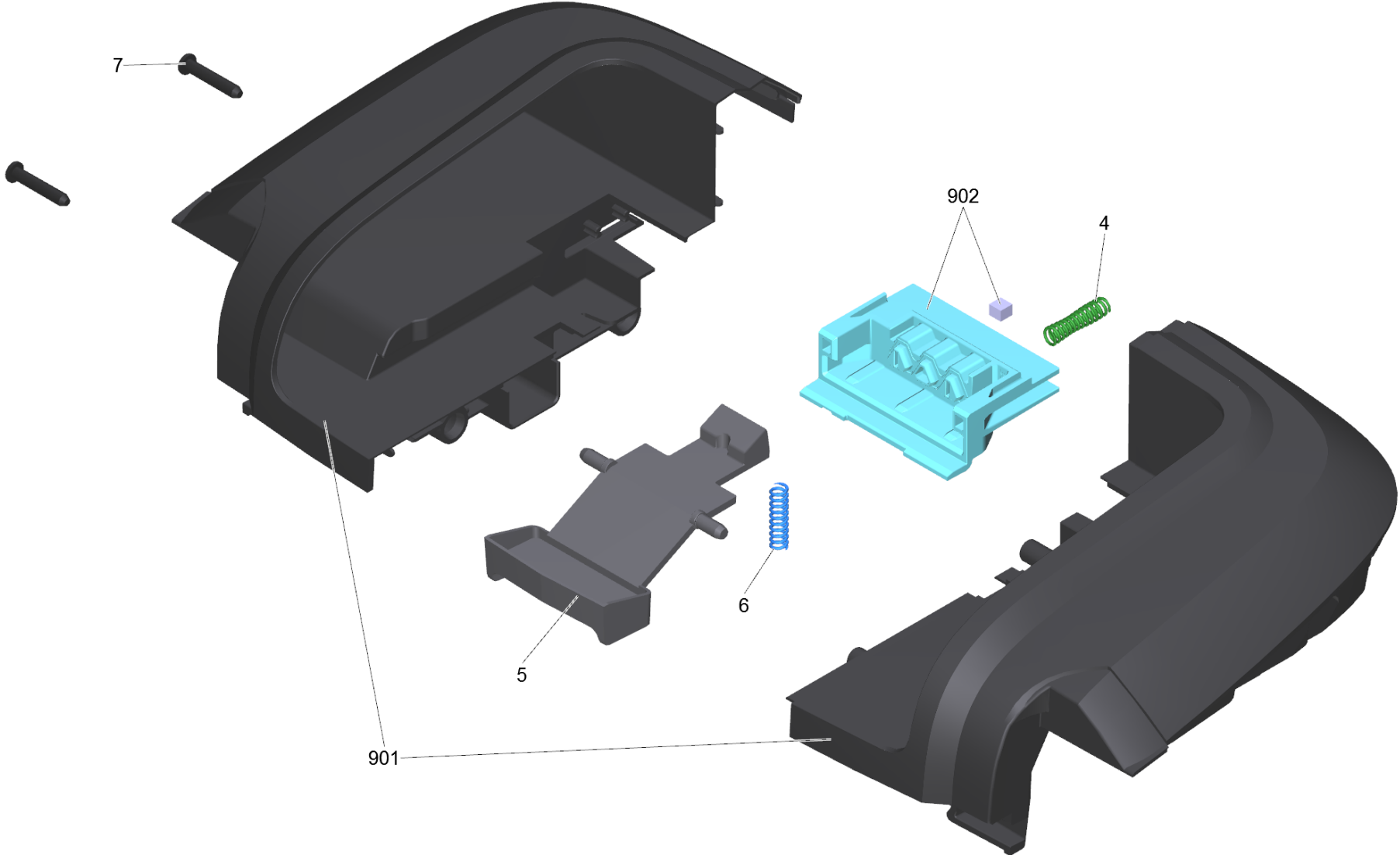
85 Switch complete RV *EU f. K2 Batt.

POS	Article no.	Description	Quantity	Unit
95	6.630-768.0	Switch replacement + UL/CSA RV	1.000	ST
96	5.105-659.0	Axle UZS 75.5mm	1.000	ST



122 Filter with hose RM 0,50 *

POS	Article no.	Description	Quantity	Unit
1	5.731-652.0	Filter with weight	1.000	ST
2	6.388-216.0	Hose DN 5	0.500	M



160 Housing above complete K2 Battery

POS	Article no.	Description	Quantity	Unit
4	6.330-225.0	Pressure spring	1.000	ST
5	5.731-057.3	Lever releasing device for replacement	1.000	ST
6	5.332-506.0	Helical spring	1.000	ST
7	6.303-150.0	Screw 4,2x 22	2.000	ST
901	4.100-665.0	Housing shell for replacement	1.000	ST
902	4.100-666.0	Battery ejector for replacement	1.000	ST