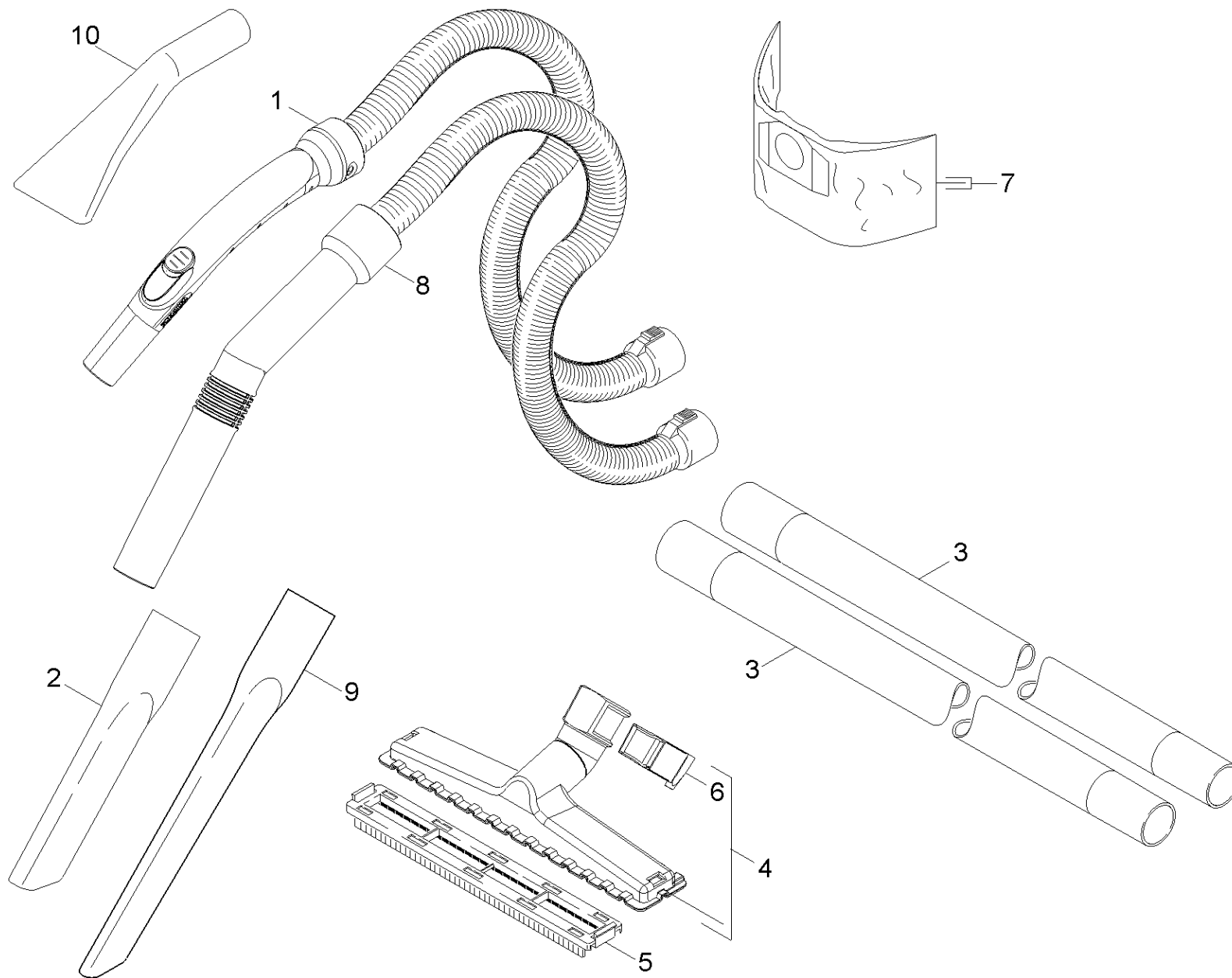


### 30 Accessories

Overview technical documents/Home & Garden/Vacuum cleaner/Wet-/Dry vacuum cleaner/wet/WD 3.200 AF \*EU-II (1.629-606.0)/Spare parts list WD 3.200/30 Accessories



### 30 Accessories

Overview technical documents/Home & Garden/Vacuum cleaner/Wet-/Dry vacuum cleaner/wet/WD 3.200 AF \*EU-II (1.629-606.0)/Spare parts list WD 3.200/30 Accessories

Rez.daļas/nodil.pakļ.dajas	Poz.	Materiāla Nr.	Nosaukums	Daudzums	Pārdoš. vienība
X-X	1	9.012-109.0	Nokomplektēta sūkņēšanas šļūtene DN35x2	1.000	ST
X-X	2	6.900-385.0	Šaurais uzgalis stūriem DN35	1.000	ST
X-X	3	2.863-148.0	Suction tube DN35	2.000	ST
X-X	4	4.629-007.0	floor tool 35	1.000	ST
	5	9.036-892.0	Jauktais ieliktnis	1.000	ST
	6	5.629-014.0	Spaile	1.000	ST
	7	6.959-130.0	Papīra filtru maisiņi A2204	1.000	ZSA
X-X	8	4.440-930.0	Suction hose complete	1.000	ST
X-X	9	2.863-144.0	Crevice nozzle 350 mm	1.000	ST
X-X	10	2.863-145.0	Car nozzle packaged	1.000	ST