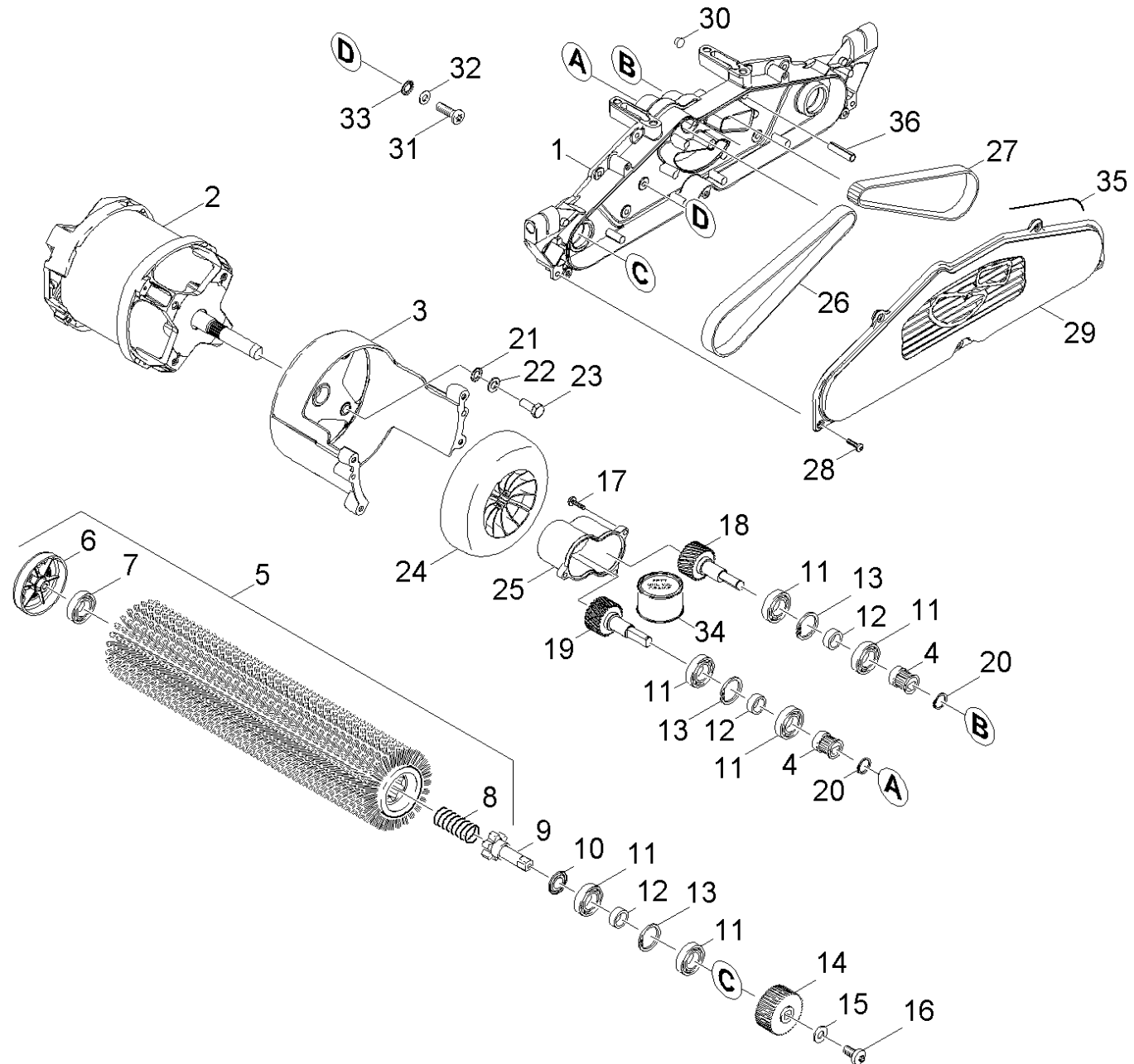


32 Transmission

Professional \ Floor cleaner \ Compact \ BR 40/10C ADV*JP 60Hz \ Spare parts list BR 40/10 C JP \ Bottom part individual parts \ Transmission



32 Transmission

Professional \ Floor cleaner \ Compact \ BR 40/10C ADV*JP 60Hz \ Spare parts list BR 40/10 C JP \ Bottom part individual parts \ Transmission



POS	Preces Nr.	Apraksts	Skaits	Vienība	Piezīme	Zemsvītras piezīme
1	5.050-445.0	Gear case worked	1.000	ST		
2	6.680-048.0	Motor 1,1kW 100V 50Hz	1.000	ST		
		Vienuma teksts 1: /1.783-309.0 / -314.0				
2	6.680-042.0	Motor 1,1kW 100V 60Hz	1.000	ST		
		Vienuma teksts 1: /1.783-306.0 / -313.0				
3	5.050-432.0	Flange motor worked	1.000	ST		
4	5.625-318.0	Belt pulley 21Z	2.000	ST		
5	4.762-252.0	Roller brush green (old colour grey)	2.000	ST		
5	4.762-481.0	Roller brush black complete	2.000	ST		
5	4.762-274.0	Roller brush horsehair nature BR VS 400	2.000	ST		
5	4.762-251.0	Roller brush orange (old colour red)	2.000	ST		
5	4.762-003.0	Roller brush	2.000	ST		
5	4.762-250.0	Roller brush white (old colour black)	2.000	ST		
6	4.038-677.0	Sheet metal component thread deflector	2.000	ST		
7	6.401-363.0	Lodīšu gultnis	2.000	ST		
8	5.332-114.0	Helical spring	2.000	ST		
9	5.100-571.0	Driveshaft 59mm	2.000	ST		
10	6.363-292.0	Joint ring NILOS 6002	2.000	ST		
11	7.401-115.0	Lod.gultnis 6002-2RS -WÄELZLAGST DIN 62	8.000	ST		
12	5.110-686.0	Spacer sleeve	4.000	ST		
13	7.343-231.0	Sprostpaplāksne 32x1,2 -St-ph DIN 472	4.000	ST		
14	5.625-357.0	Screw 56Z HTD 3M	2.000	ST		
15	7.312-292.0	Washer	2.000	ST		
16	6.304-180.0	Screw M6X12-A2/70-ISO7045 (IN6RD)	2.000	ST		
17	7.303-039.0	Screw M5x16 -St-A2R (In6Rd)	3.000	ST		
18	5.105-684.0	Shaft transmission left	1.000	ST		
19	4.100-234.0	Shaft gear right	1.000	ST		
20	7.343-003.0	Bloķētājgredzens 12x1-Rf-St DIN 471	2.000	ST		
21	7.312-233.0	Serrated lock washer A8,4-FSt-A3E DIN67	4.000	ST		
22	7.312-017.0	wascher	4.000	ST		
23	7.304-397.0	Hexagonal head screw M8x20-8.8-A2E ISO	4.000	ST		

32 Transmission

Professional \ Floor cleaner \ Compact \ BR 40/10C ADV*JP 60Hz \ Spare parts list BR 40/10 C JP \ Bottom part individual parts \ Transmission

KÄRCHER

POS	Preces Nr.	Apraksts	Skaits	Vienība	Piezīme	Zemsvītras piezīme
24	5.050-358.0	Blower wheel	1.000	ST		
25	5.050-357.0	Cover gear	1.000	ST		
26	6.348-444.0	Zobsiksna HTD-420-3M-15 CXPIII	1.000	ST		
27	6.348-431.0	Zobsiksna HTD-474-3M-15 CXPIII	1.000	ST		
28	7.303-039.0	Screw M5x16 -St-A2R (In6Rd)	6.000	ST		
29	5.050-310.0	Cover gear case	1.000	ST		
30	6.368-347.0	Cap D5	1.000	ST		
31	7.306-105.0	Skrūve M6x30 -8.8-R3R (In6Rd)	4.000	ST		
32	7.312-003.0	Washer 6 -200HV-A3E ISO 7090	1.000	ST		
33	7.312-232.0	Serrated lock washer A6,4-FSt-A3E DIN 6	4.000	ST		
34	6.288-095.0	Viskoza eļļa	1.000	ST	50g	
35	6.273-037.0	Plombas aukla no porainas gumijas 3	1.000	M		TO ORDER AS CUT GOODS
36	7.314-944.0	Spring pin 5x24-St ISO 8752	2.000	ST		