

## **Spare parts list**

(1.027-343.0) HDS 995 M ECO \*EU-I

## Table of contents

---

HDS 995 M ECO *EU-I (1.027-343.0)	4
Spare parts list HDS 995 M ECO (5.970-304.0)	5
10 Housing	6
11 Cover	7
12 Base frame	9
13 Handhold	11
20 Pump set	13
21 Piston	14
100 Spare part set pump (2.883-913.0)	16
20 Valve (3 Stueck) (2.884-512.0)	17
22 Cylinder head	19
10 Piston complete only for replacement (4.553-197.0)	22
25 Piston complete only for replacement (4.553-198.0)	24
32 Valve (3 Stueck) (2.884-512.0)	26
100 Spare part set pump (2.883-913.0)	28
20 Valve (3 Stueck) (2.884-512.0)	29
23 Switch	31
30 Motor	33
40 Blower	35
50 Fuel system	37
51 Fuel pump	38
52 Fuel pump	40
60 Electric control box	42
61 Top part	43
62 Bottom part	45
21 Spare parts set ignition transformer (2.883-791.0)	48
70 Flow heater	49
71 Burner cover	50
8 Cover pressure boiler (4.654-218.0)	52
11 Conversion kit ignition electrode (2.638-974.0)	54
72 Heating coil	56
73 Burner bottom	58
2 Bottom pressure boiler (4.655-044.0)	60
80 Float chest	62
81 Float chest	63
82 DGT	65
90 Safety system	67
91 Safety system	69

## Table of contents

---

92 Safety system	71
100 Accessories	73
101 Hand trigger gun	74
1 HAND TRIGGER GUN EASY PRESS (4.775-463.0)	76
9002 Lever complete (4.481-209.0)	78
6 Lever complete (4.481-209.0)	80
14 Rotary controller 416L (4.775-470.0)	82
102 Jet pipe	84
1 Jet pipe packaged only for replacement (4.760-660.0)	86
103 Hose reel	88
104 Steam nozzle	91
110 Control panel	93
120 Flame guard	95

HDS 995 M ECO \*EU-I (1.027-343.0)

---

POS	Article no.	Description	Quantity	Unit
0	5.970-304.0	Spare parts list HDS 995 M ECO	1.000	ST
		Item text2: 10273300		

---

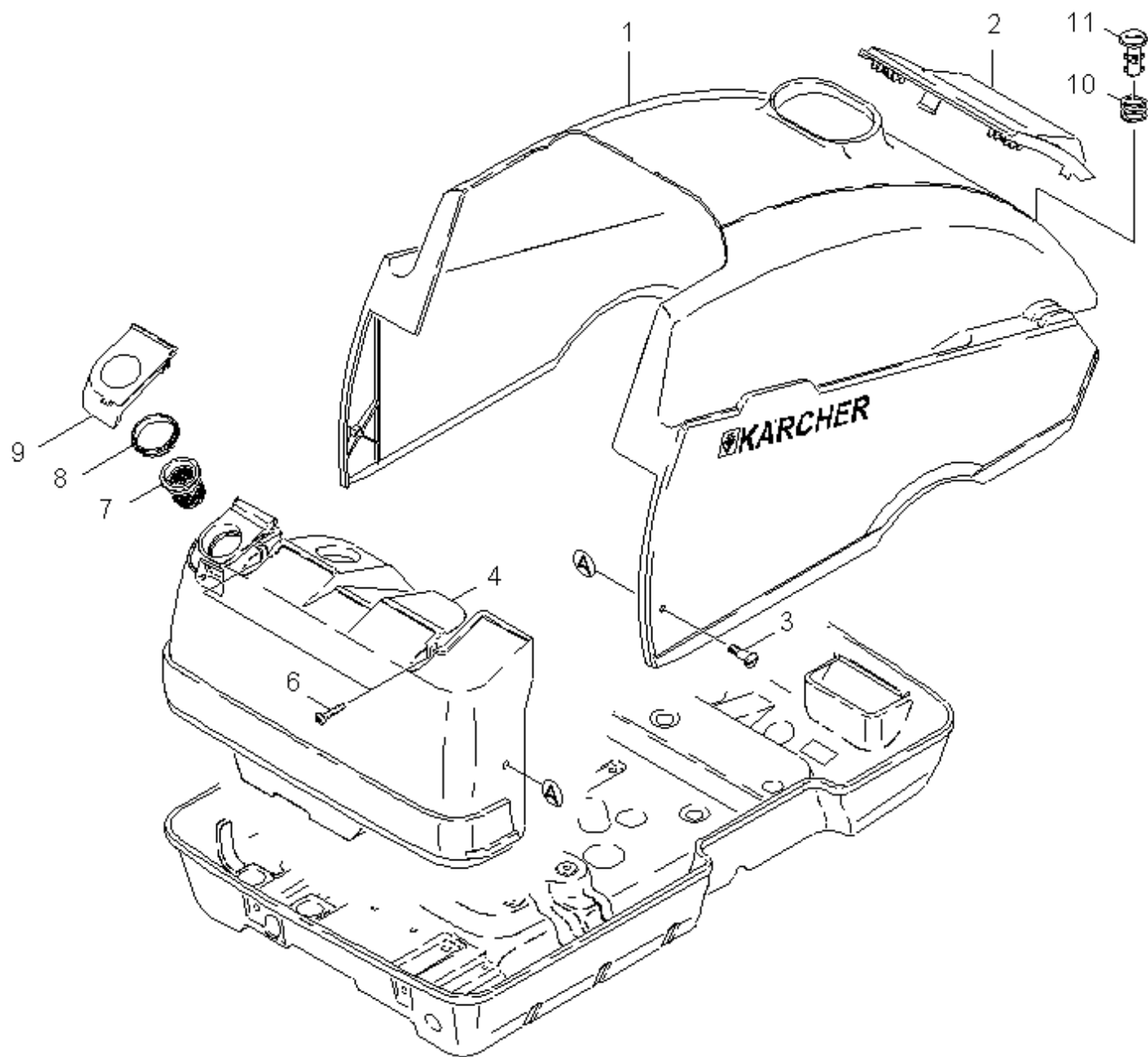
Spare parts list HDS 995 M ECO (5.970-304.0)

POS	Description	Quantity	Unit
100	Accessories	1.000	ST
40	Blower	1.000	ST
110	Control panel	1.000	ST
60	Electric control box	1.000	ST
120	Flame guard	1.000	ST
80	Float chest	1.000	ST
70	Flow heater	1.000	ST
50	Fuel system	1.000	ST
10	Housing	1.000	ST
30	Motor	1.000	ST
20	Pump set	1.000	ST
90	Safety system	1.000	ST

## 10 Housing

---

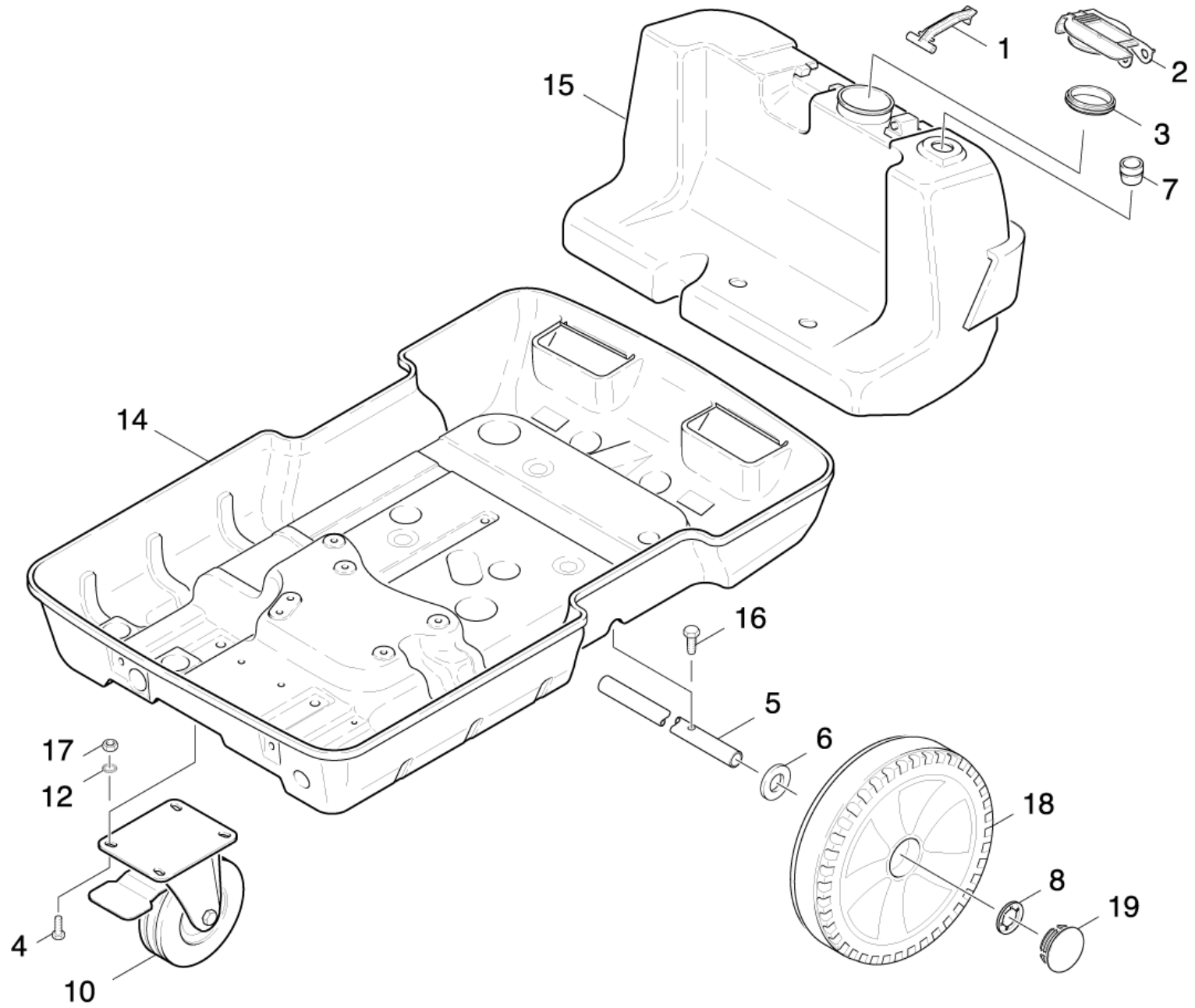
<b>POS</b>	<b>Description</b>	<b>Quantity</b>	<b>Unit</b>
12	Base frame	1.000	ST
11	Cover	1.000	ST
13	Handhold	1.000	ST



## 11 Cover

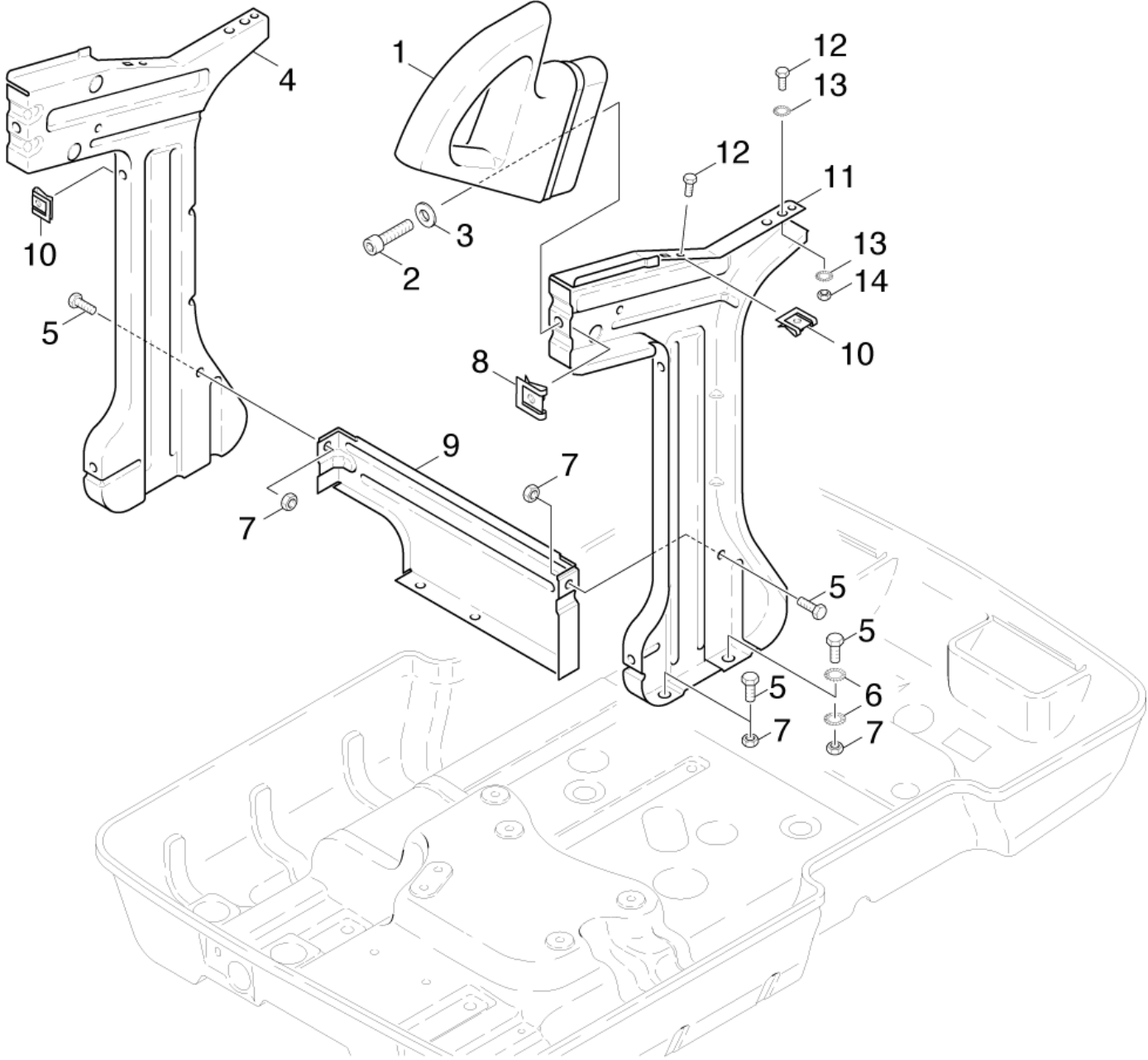
POS	Article no.	Description	Quantity	Unit
11	5.316-318.0	Bolt	1.000	ST
9	5.063-957.0	Cover	1.000	ST
1	4.066-385.0	Cover Ersatz alte HDS-M klasse mit VA-B	1.000	ST
	<b>Item text1:</b> 1.027-343.0 /-344.0 /-345.0 /-346.0 /			
	<b>Item text2:</b> /-347.0 /-358.0 /			
7	5.731-039.0	Filter	1.000	ST
2	5.030-834.0	Flap	1.000	ST
10	5.332-236.0	Helical spring	1.000	ST
8	5.363-290.0	Joint ring	1.000	ST
6	6.303-172.0	Oval head screw M 6X 34	2.000	ST
3	5.305-204.0	Shaped screw	2.000	ST
4	5.071-048.0	Tank fuel	1.000	ST





## 12 Base frame

POS	Article no.	Description	Quantity	Unit	Foot note text
5	5.105-163.0	Axle	1.000	ST	
10	6.435-071.0	Castor 125	1.000	ST	
2	5.063-448.0	Cover	1.000	ST	
14	5.050-046.0	Frame	1.000	ST	
4	7.304-395.0	Hexagonal head screw M8x16-8.8-A2E ISO	4.000	ST	
17	7.311-004.0	Hexagon nut M8 -8-A3E ISO 4032	4.000	ST	
1	5.042-463.0	Holder	1.000	ST	
3	5.363-300.0	Joint ring	1.000	ST	
8	6.343-162.0	Lock washer -25	2.000	ST	
7	5.365-147.0	Profile gasket	1.000	ST	
16	6.303-031.0	Screw M8x16-ST-R2R DIN 7500-1	2.000	ST	
15	5.071-047.0	Tank chemistry	1.000	ST	
12	7.312-166.0	Toothed lock washer A8,4-FSt-A3E DIN 67	2.000	ST	
6	7.312-060.0	Washer 24-100HV-A3E ISO 7091	2.000	ST	
19	5.392-038.0	Wheel cap	2.000	ST	BLACK
	<b>Item text1:</b> 1.025-352.0				
19	5.392-035.0	Wheel cap	1.000	ST	YELLOW
	<b>Item text1:</b> 1.025-311.0 /-312.0 /-315.0 /-316.0 /-317.0 /-318.0 /-319.0 /-320.0 /-324.0 /-325.0 /-351.0				
18	4.515-092.0	Wheel complete	2.000	ST	
	<b>Item text1:</b> 1.025-311.0 /-312.0 /-315.0 /-316.0 /-317.0 /-318.0 /-319.0 /-320.0 /-324.0 /-325.0 /-351.0				
18	4.515-098.0	Wheel complete neutrally	2.000	ST	
	<b>Item text1:</b> 1.025-352.0				



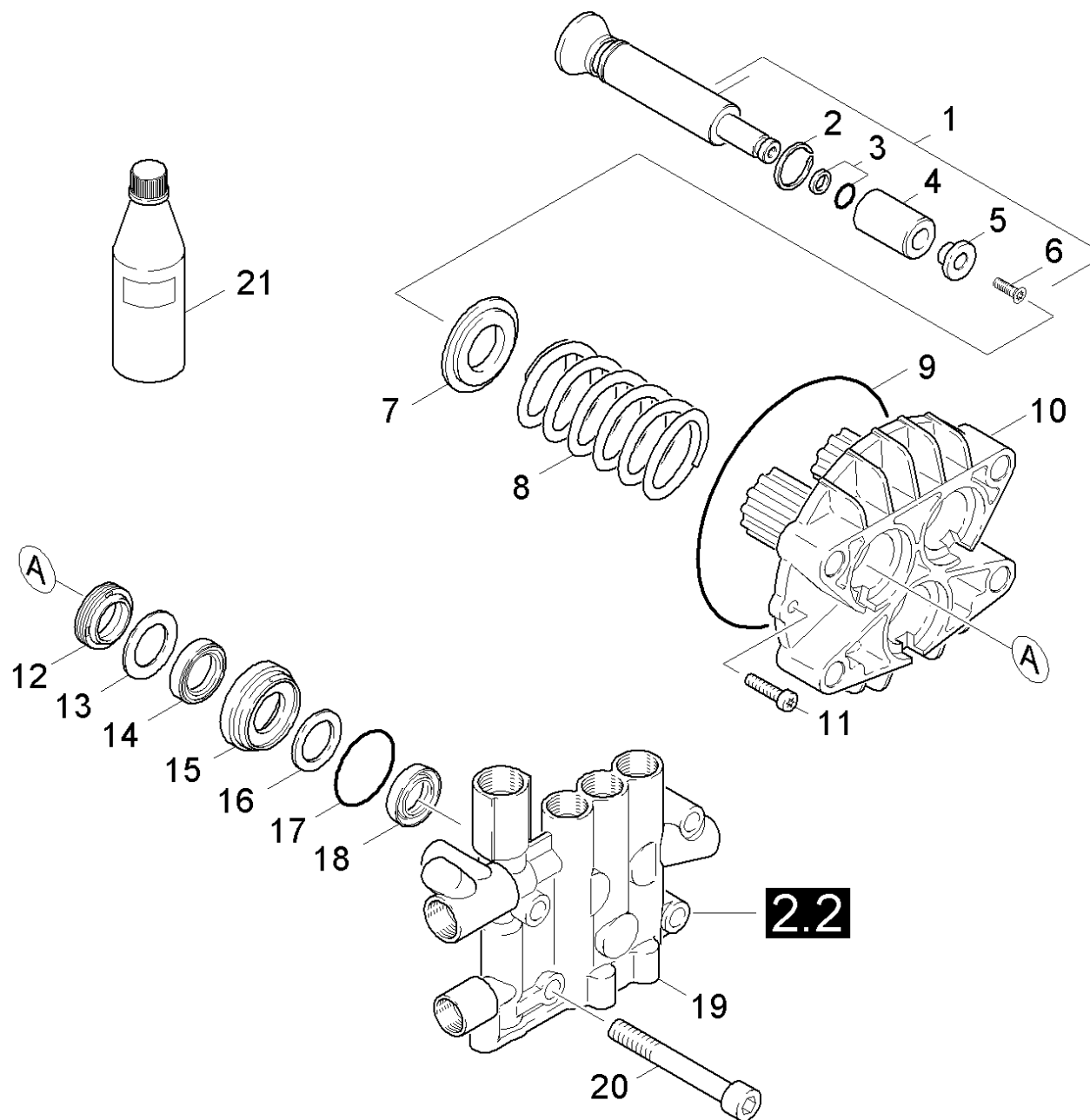
## 13 Handhold

POS	Article no.	Description	Quantity	Unit
2	7.306-049.0	Cylinder head screw M 8x45-8.8-A2E ISO	2.000	ST
12	7.304-382.0	Hexagonal head screw M 6x12-8.8-A2E ISO	4.000	ST
5	7.304-395.0	Hexagonal head screw M8x16-8.8-A2E ISO	6.000	ST
14	7.311-003.0	Hexagon nut M6 -8-A2E ISO 4032	2.000	ST
7	7.311-004.0	Hexagon nut M8 -8-A3E ISO 4032	6.000	ST
10	6.310-082.0	Putting nut M6	4.000	ST
8	6.310-083.0	Putting nut M8	2.000	ST
1	5.321-647.0	Sliding handle	2.000	ST
4	5.052-033.0	Stand left	1.000	ST
11	5.052-035.0	Stand right	1.000	ST
9	5.055-120.0	Stay	1.000	ST
13	7.312-167.0	Toothed lock washer A6,4-FSt-A3E DIN 67	4.000	ST
6	7.312-166.0	Toothed lock washer A8,4-FSt-A3E DIN 67	4.000	ST
3	7.312-004.0	Washer 8 -200HV-A3E ISO 7090	2.000	ST

## 20 Pump set

---

<b>POS</b>	<b>Description</b>	<b>Quantity</b>	<b>Unit</b>
22	Cylinder head	1.000	ST
21	Piston	1.000	ST
23	Switch	1.000	ST



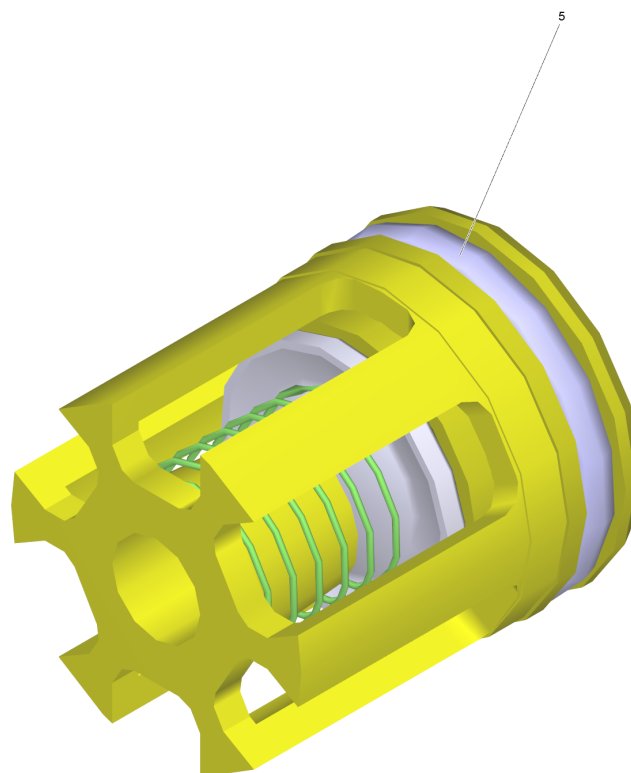
## 21 Piston

POS	Article no.	Description	Quantity	Unit
15	5.112-420.0	Bush	3.000	ST
14	6.365-053.0	Compact seal 20X30X6	3.000	ST
6	6.305-004.0	Countersunk screw M 5X 20-A2-70-sw	3.000	ST
19	4.550-607.0	Cylinder head complete only for replacem	1.000	ST
20	7.306-155.0	Cylinder head screw M12x100 -8.8-A3E IS	4.000	ST
21	6.288-016.0	Gear oil 1L	1.000	ST
18	6.365-330.0	Grooved ring	3.000	ST
12	6.365-052.0	Grooved ring 20X28X6/8	3.000	ST
8	5.332-289.0	Helical spring	3.000	ST
10	5.060-432.0	Housing	1.000	ST
17	6.362-092.0	O-Ring seal 36,0 X 2,0-NBR 70	3.000	ST
9	6.362-796.0	O-Ring seal 107,62X 2,62	1.000	ST
3	6.362-365.0	O-Ring seal complete 1ST.-R.- 7,65X 1,7	3.000	ST
1	4.553-281.0	Piston complete only for replacement	3.000	ST
11	7.306-105.0	Screw M6x30 -8.8-R3R (In6Rd)	2.000	ST
4	5.110-220.3	Sleeve ceramic	3.000	ST
2	6.472-331.0	Snap ring 20	3.000	ST
100	2.883-913.0	Spare part set pump	1.000	ST
5	5.115-358.0	Washer	3.000	ST
13	5.115-537.0	Washer	3.000	ST
7	5.115-539.0	Washer	3.000	ST
16	5.115-538.0	Washer	3.000	ST

100 Spare part set pump (2.883-913.0)

POS	Article no.	Description	Quantity	Unit
210	6.365-053.0	Compact seal 20X30X6	3.000	ST
220	6.365-330.0	Grooved ring	3.000	ST
200	6.365-052.0	Grooved ring 20X28X6/8	3.000	ST
110	6.362-151.0	O-Ring d. 10 x 2 NBR 70	1.000	ST
120	6.362-169.0	O-Ring seal 12,0 X 2,0	1.000	ST
190	6.363-003.0	O-Ring seal 13,0 X 2,0-NBR 90	6.000	ST
150	6.362-481.0	O-Ring seal 14,0 x 2,0 NBR 80	6.000	ST
170	6.362-547.0	O-Ring seal 20,0x1,5-NBR 70	2.000	ST
160	6.363-607.0	O-Ring seal 34,65 x 1,78 -NBR70	3.000	ST
180	6.362-796.0	O-Ring seal 107,62X 2,62	1.000	ST
130	6.362-368.0	O-Ring seal complete /1ST.-R.	2.000	ST
140	6.362-468.0	O-Ring seal complete 1ST.-R.	1.000	ST
60	5.034-494.0	Retaining bracket	2.000	ST
20	2.884-512.0	Valve (3 Stueck)	2.000	ST
10	4.580-262.0	Valve complete	1.000	ST
30	4.580-349.0	Valve complete chemistry	1.000	ST
50	4.582-019.0	Valve disc complete	1.000	ST
100	5.584-122.0	Valve pin	1.000	ST
90	5.115-796.0	Washer	2.000	ST
70	5.115-537.0	Washer	3.000	ST
80	5.115-538.0	Washer	3.000	ST

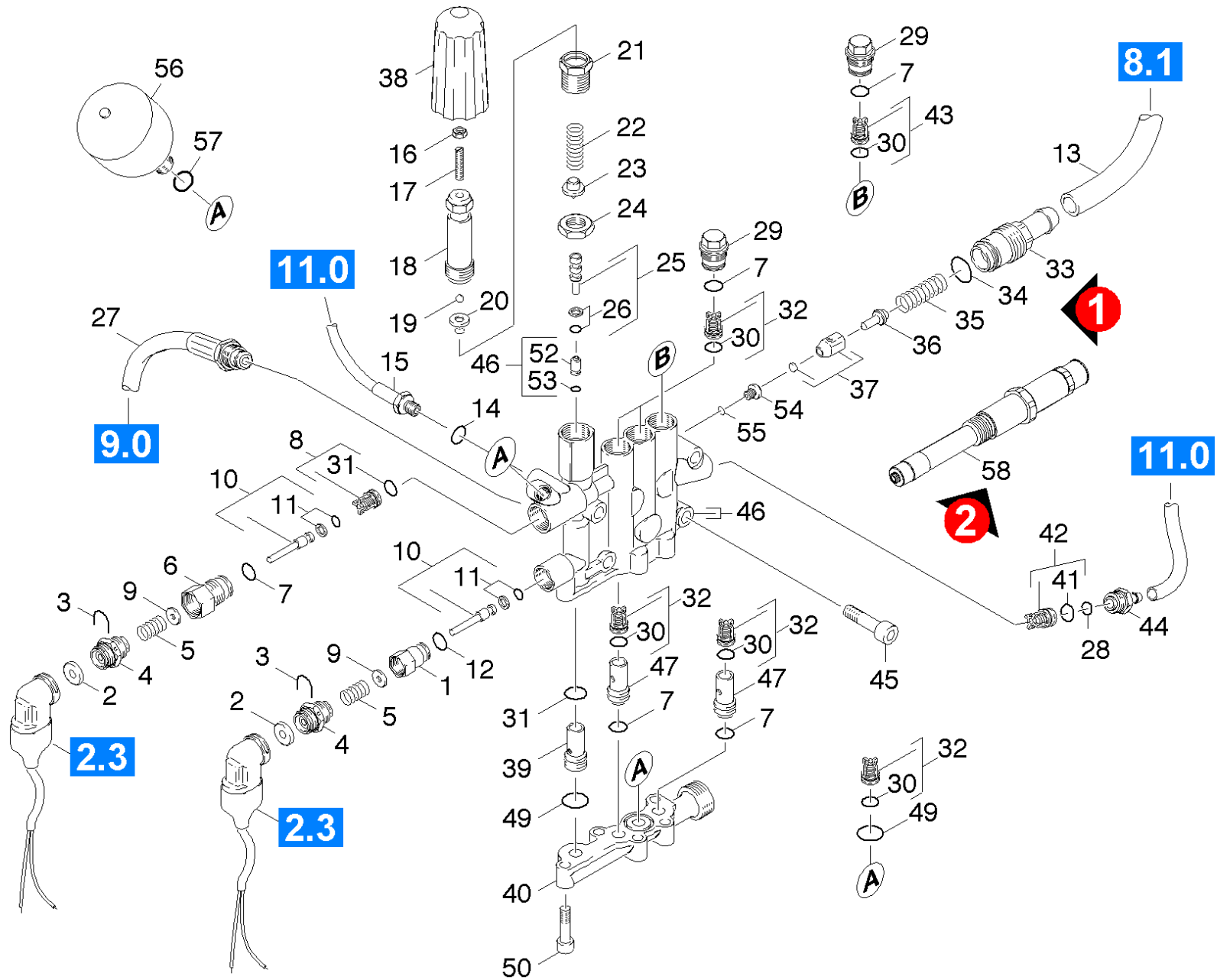




20 Valve (3 Stueck) (2.884-512.0)

---

<b>POS</b>	<b>Article no.</b>	<b>Description</b>	<b>Quantity</b>	<b>Unit</b>
5	6.363-003.0	O-Ring seal 13,0 X 2,0-NBR 90	1.000	ST

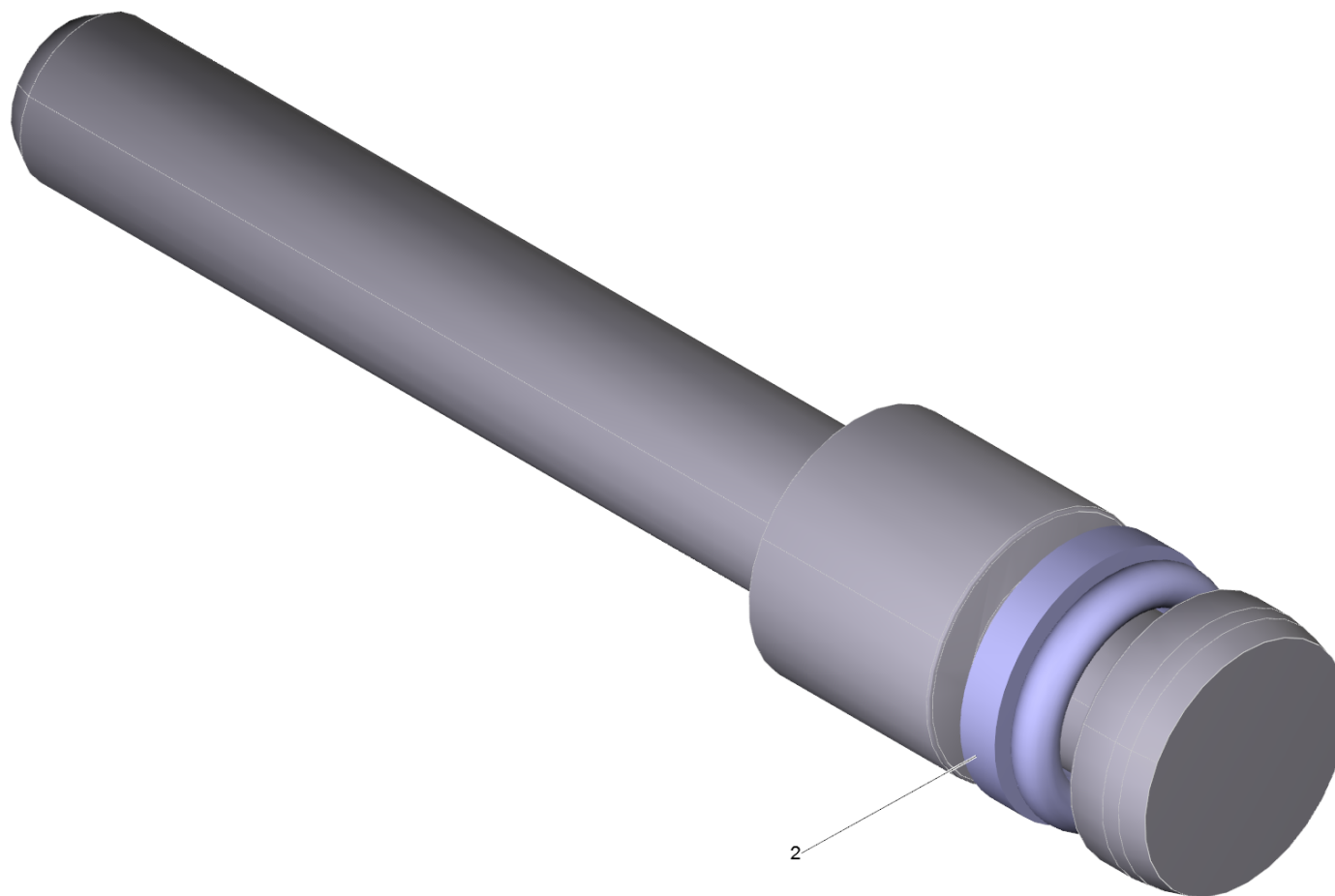


## 22 Cylinder head

POS	Article no.	Description	Quantity	Unit	Remark	Foot note text
46	4.550-607.0	Cylinder head complete only for replacem	1.000	ST		
50	7.306-043.0	Cylinder head screw M8x30 -8.8-A2E ISO	5.000	ST		
45	7.306-155.0	Cylinder head screw M12x100 -8.8-A3E IS	4.000	ST		
2	5.367-030.0	Diaphragm	2.000	ST		
38	5.321-579.0	Handle	1.000	ST		
5	5.332-268.0	Helical spring	2.000	ST		
35	5.332-473.0	Helical spring	1.000	ST	VERSION 1	
22	5.332-444.0	Helical spring	1.000	ST		
18	5.304-070.0	Hexagonal head screw	1.000	ST		
16	7.311-002.0	Hexagon nut M5 -8-A2E ISO 4032	1.000	ST		
24	5.311-204.0	Hexagon nut M22x1,5	1.000	ST		
27	6.391-596.0	High pressure hose DN 13	1.000	ST		
15	6.389-635.0	High pressure hose pressure gauge	1.000	ST		
21	5.404-082.0	Hollow screw	1.000	ST		
13	6.388-167.0	Hose DN15	1.000	M		TO ORDER AS CUT GOODS
44	5.443-474.0	Hose stem	1.000	ST		
1	5.402-705.3	Joining piece	1.000	ST		
14	7.362-003.0	Joint ring A10x13,5 -Cu DIN 7603	1.000	ST		
28	6.362-151.0	O-Ring d. 10 x 2 NBR 70	1.000	ST		
12	6.362-853.0	O-Ring seal 4,47x1,78	1.000	ST		
53	6.362-386.0	O-Ring seal 5,0 x 1,5-NBR 80	1.000	ST		
55	6.362-703.0	O-Ring seal 6,0x1,5-NBR 70	1.000	ST	VERSION 1	
57	6.362-176.0	O-Ring seal 6,07x1,78	1.000	ST		
41	6.362-077.0	O-Ring seal 10 x 2,2 NBR 70	1.000	ST		
34	6.362-169.0	O-Ring seal 12,0 X 2,0	1.000	ST	VERSION 1	
30	6.363-003.0	O-Ring seal 13,0 X 2,0-NBR 90	6.000	ST		
31	6.362-381.0	O-Ring seal 13x2 - NBR 70	2.000	ST		
7	6.362-481.0	O-Ring seal 14,0 x 2,0 NBR 80	6.000	ST		
49	6.362-547.0	O-Ring seal 20,0x1,5-NBR 70	2.000	ST		
11	6.363-037.0	O-Ring seal complete 1ST.-R.	2.000	ST		
26	6.362-468.0	O-Ring seal complete 1ST.-R.	1.000	ST		

## 22 Cylinder head

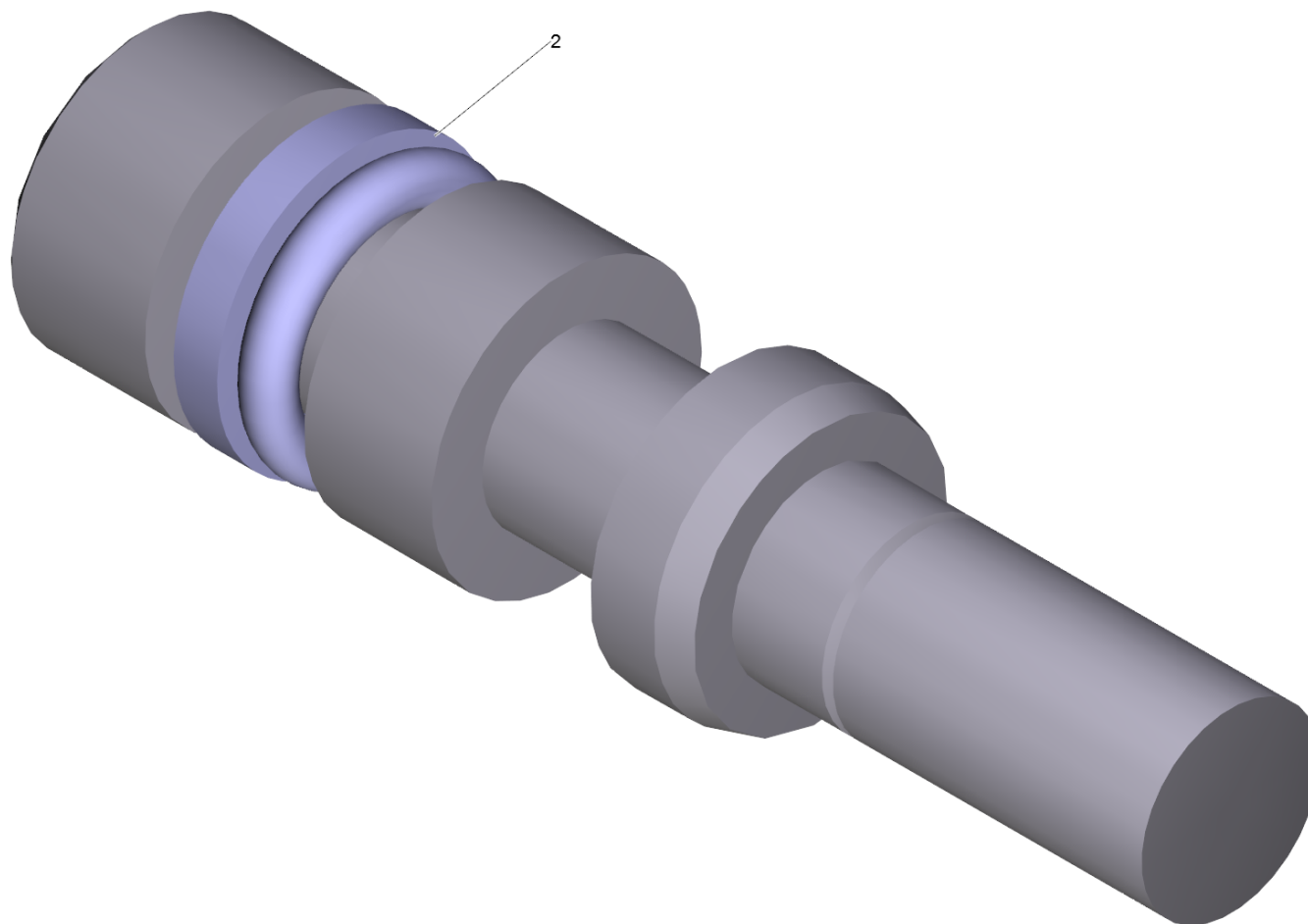
POS	Article no.	Description	Quantity	Unit	Remark	Foot note text
25	4.553-198.0	Piston complete only for replacement	1.000	ST		
10	4.553-197.0	Piston complete only for replacement	2.000	ST		
56	6.505-054.0	Pressure accumulator	1.000	ST		
3	5.034-494.0	Retaining bracket	2.000	ST		
58	4.580-727.0	Safety valve kpl. Ersatz	1.000	ST	pos.57 mitbestellen / order pos.57 also	VERSION 2
4	5.411-148.0	Screw plug	2.000	ST		
39	5.110-865.0	Sleeve	1.000	ST		
47	5.110-853.0	Sleeve	2.000	ST		
100	2.883-913.0	Spare part set pump	1.000	ST		
19	7.401-931.0	Sphere 5 K13 -1.4401 DIN 5401	1.000	ST		
17	7.307-017.0	Threaded pin M5x40 -St-45H-A2E ISO 4026	1.000	ST		
32	2.884-512.0	Valve (3 Stueck)	1.000	ST		
8	4.580-262.0	Valve complete	1.000	ST		
42	4.580-349.0	Valve complete chemistry	1.000	ST		
20	5.582-121.0	Valve disc	1.000	ST		
37	4.582-019.0	Valve disc complete	1.000	ST	VERSION 1	
40	5.587-202.0	Valve housing	1.000	ST		
23	5.584-114.0	Valve pin	1.000	ST		
36	5.584-122.0	Valve pin	1.000	ST	VERSION 1	
29	5.583-146.3	Valve screw	3.000	ST		
6	5.583-161.0	Valve screw	1.000	ST		
33	5.583-168.0	Valve screw safety valve	1.000	ST	VERSION 1	
52	5.581-239.0	Valve seat	1.000	ST		
54	5.581-231.0	Valve seat	1.000	ST	VERSION 1	
43	4.580-589.0	Valve with slot	1.000	ST		
9	5.115-796.0	Washer	2.000	ST		



10 Piston complete only for replacement (4.553-197.0)

---

<b>POS</b>	<b>Article no.</b>	<b>Description</b>	<b>Quantity</b>	<b>Unit</b>
2	6.363-037.0	O-Ring seal complete 1ST.-R.	1.000	ST

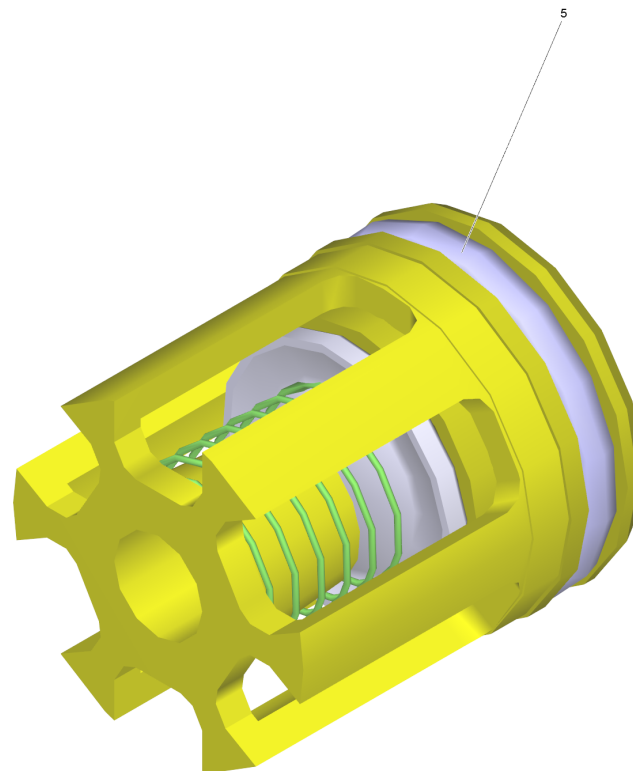




25 Piston complete only for replacement (4.553-198.0)

---

<b>POS</b>	<b>Article no.</b>	<b>Description</b>	<b>Quantity</b>	<b>Unit</b>
2	6.362-468.0	O-Ring seal complete 1ST.-R.	1.000	ST



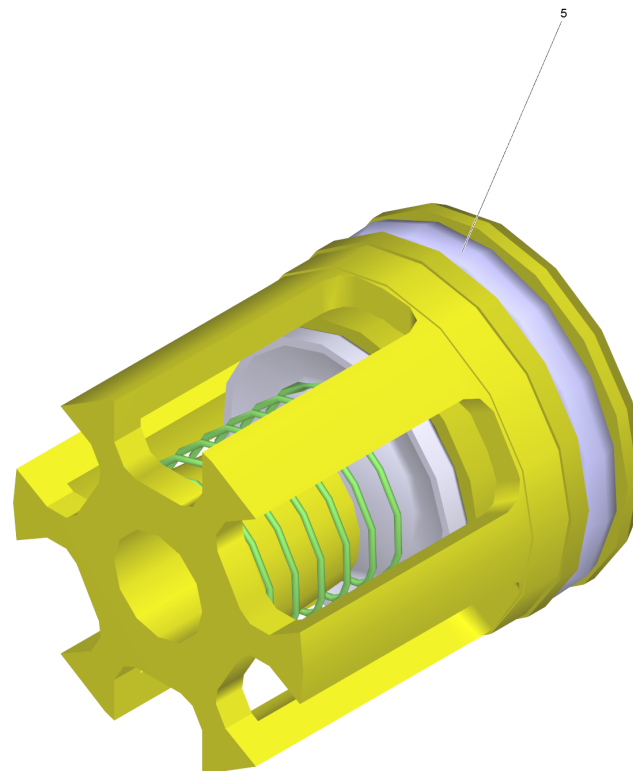
32 Valve (3 Stueck) (2.884-512.0)

---

POS	Article no.	Description	Quantity	Unit
5	6.363-003.0	O-Ring seal 13,0 X 2,0-NBR 90	1.000	ST

100 Spare part set pump (2.883-913.0)

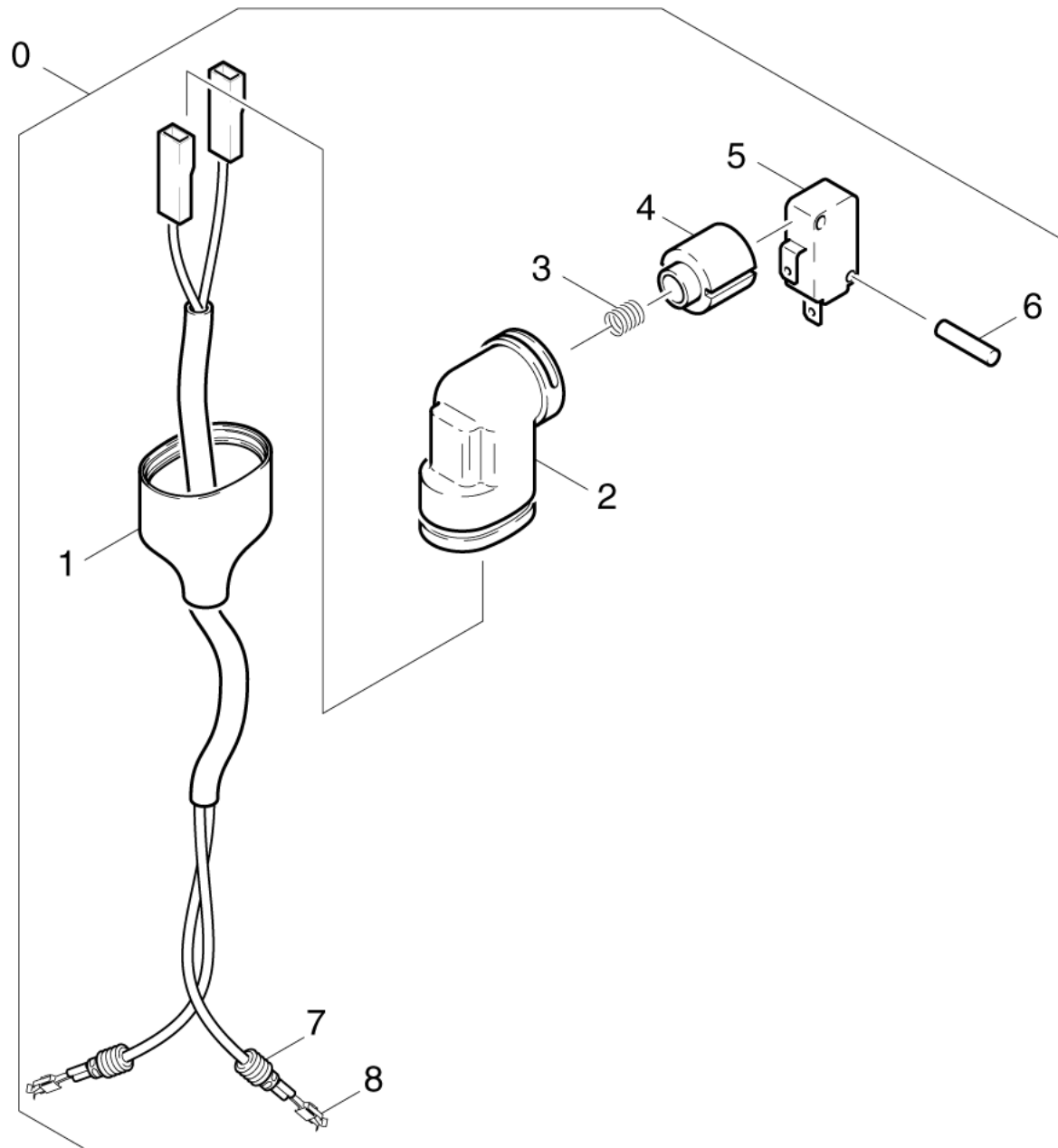
POS	Article no.	Description	Quantity	Unit
210	6.365-053.0	Compact seal 20X30X6	3.000	ST
220	6.365-330.0	Grooved ring	3.000	ST
200	6.365-052.0	Grooved ring 20X28X6/8	3.000	ST
110	6.362-151.0	O-Ring d. 10 x 2 NBR 70	1.000	ST
120	6.362-169.0	O-Ring seal 12,0 X 2,0	1.000	ST
190	6.363-003.0	O-Ring seal 13,0 X 2,0-NBR 90	6.000	ST
150	6.362-481.0	O-Ring seal 14,0 x 2,0 NBR 80	6.000	ST
170	6.362-547.0	O-Ring seal 20,0x1,5-NBR 70	2.000	ST
160	6.363-607.0	O-Ring seal 34,65 x 1,78 -NBR70	3.000	ST
180	6.362-796.0	O-Ring seal 107,62X 2,62	1.000	ST
130	6.362-368.0	O-Ring seal complete /1ST.-R.	2.000	ST
140	6.362-468.0	O-Ring seal complete 1ST.-R.	1.000	ST
60	5.034-494.0	Retaining bracket	2.000	ST
20	2.884-512.0	Valve (3 Stueck)	2.000	ST
10	4.580-262.0	Valve complete	1.000	ST
30	4.580-349.0	Valve complete chemistry	1.000	ST
50	4.582-019.0	Valve disc complete	1.000	ST
100	5.584-122.0	Valve pin	1.000	ST
90	5.115-796.0	Washer	2.000	ST
70	5.115-537.0	Washer	3.000	ST
80	5.115-538.0	Washer	3.000	ST



20 Valve (3 Stueck) (2.884-512.0)

---

<b>POS</b>	<b>Article no.</b>	<b>Description</b>	<b>Quantity</b>	<b>Unit</b>
5	6.363-003.0	O-Ring seal 13,0 X 2,0-NBR 90	1.000	ST

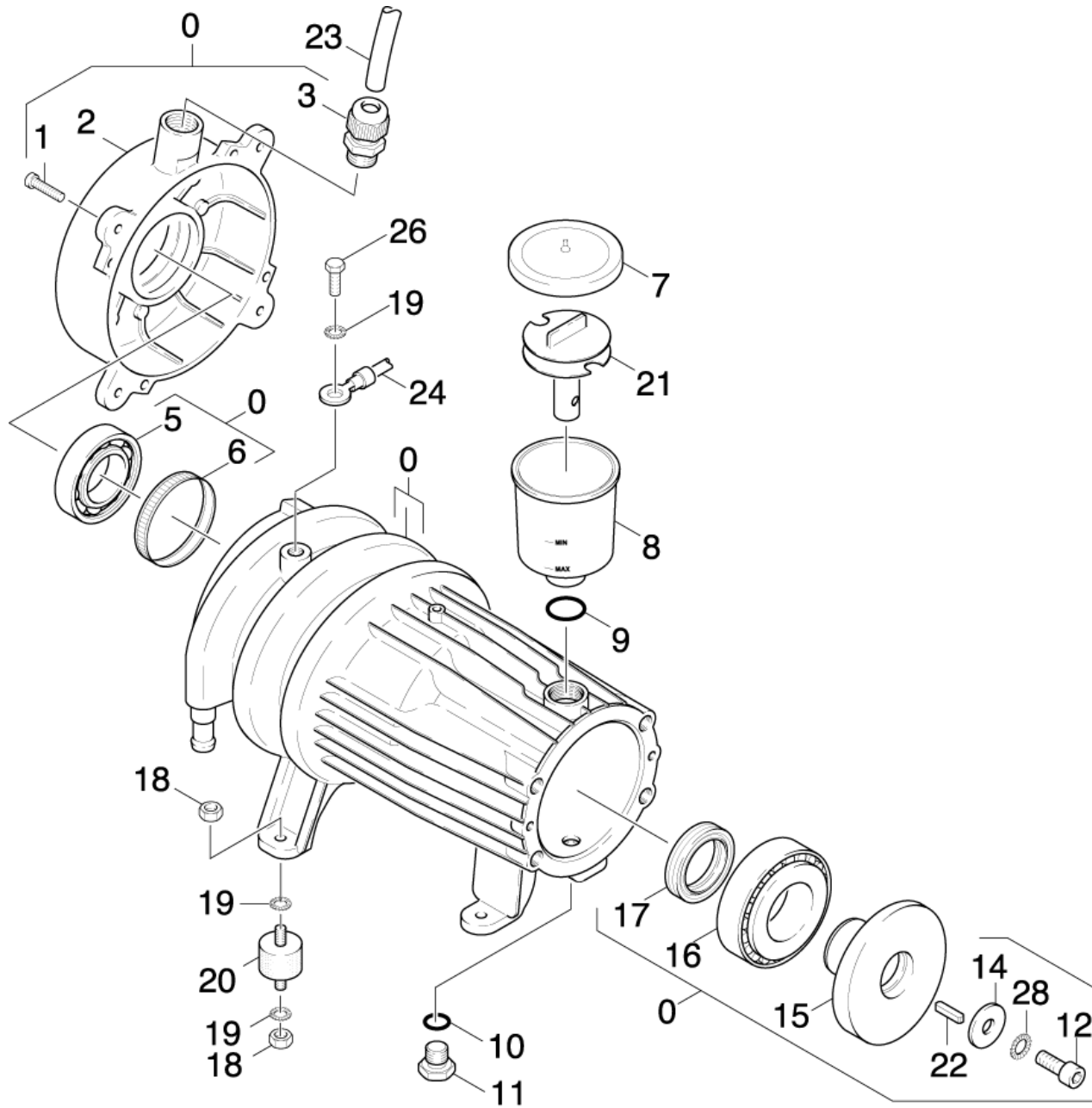


## 23 Switch

---

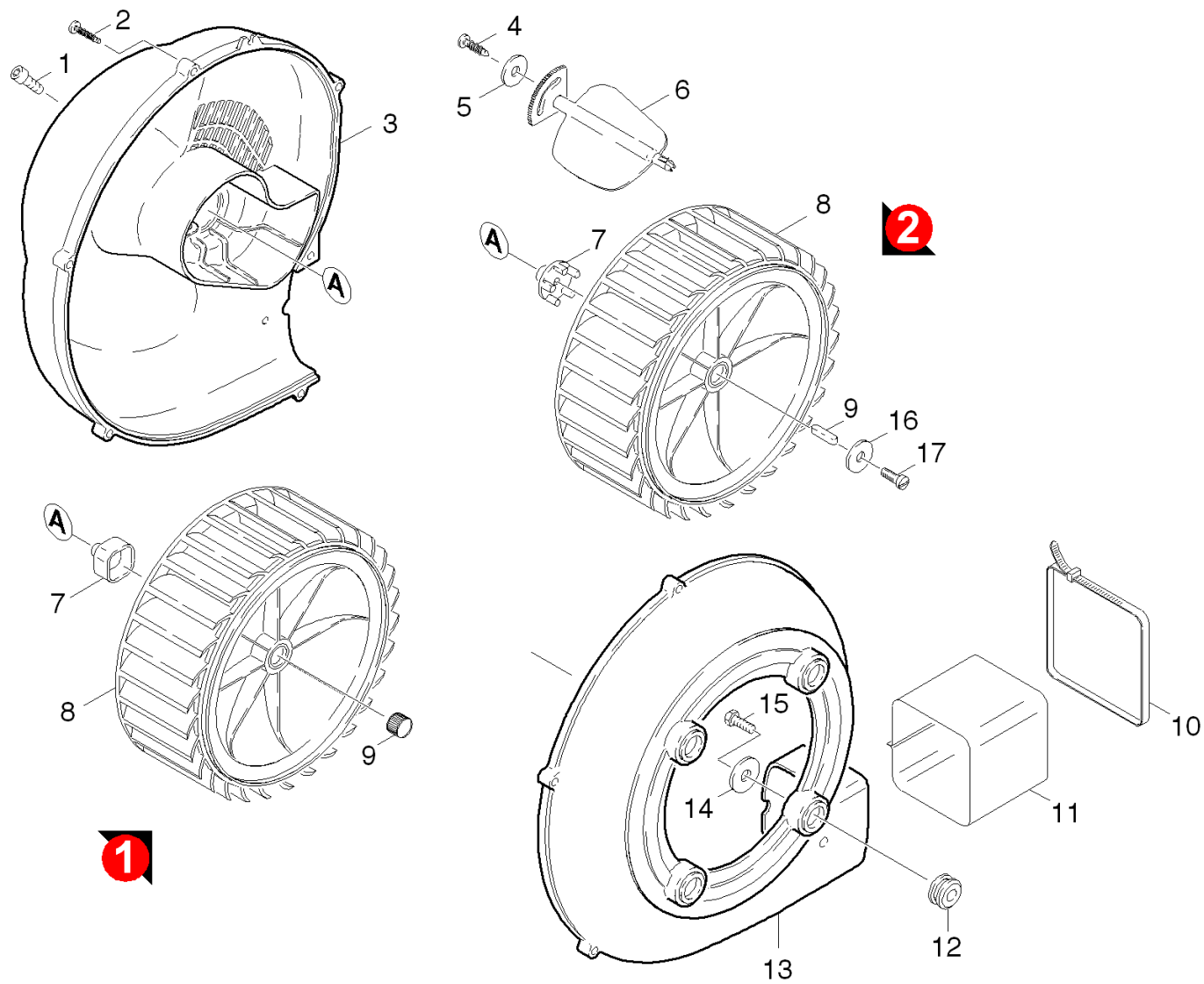
<b>POS</b>	<b>Article no.</b>	<b>Description</b>	<b>Quantity</b>	<b>Unit</b>
4	5.053-051.0	Bracket	1.000	ST
8	6.647-234.0	Contact	2.000	ST
1	6.648-385.0	Control cable	1.000	ST
2	5.042-860.0	Holder	1.000	ST
5	6.631-807.0	Micro switch	1.000	ST
7	6.647-235.0	Sealing cable	2.000	ST
3	5.332-322.0	Spring	1.000	ST
6	7.314-664.0	Straight grooved pin 3,0x20-KU ISO 8740	1.000	ST
0	4.744-153.0	Switch complete	2.000	ST





## 30 Motor

POS	Article no.	Description	Quantity	Unit	Foot note text
5	6.401-253.0	Ball bearing 6305-2Z	1.000	ST	
8	5.070-048.0	Box	1.000	ST	
3	6.641-356.0	Cable gland PG16	1.000	ST	
24	4.820-430.0	Cable green/yellow 1,5mm <sup>2</sup> x450mm	1.000	ST	
7	5.063-189.0	Cover	1.000	ST	
2	5.063-452.0	Cover	1.000	ST	
12	7.306-041.0	Cylinder head screw M8x20 -8.8-A2E ISO	1.000	ST	
18	7.311-004.0	Hexagon nut M8 -8-A3E ISO 4032	8.000	ST	
23	6.642-011.0	Insulating hose 10	2.000	M	TO ORDER AS CUT GOODS
0	4.623-756.0	Motor complete	1.000	ST	SEE RATING PLATE
	<b>Item text1:</b> / 1.027-343.0 / -345.0 / -346.0				
0	4.623-477.0	Motor complete	1.000	ST	SEE RATING PLATE
0	4.623-760.0	Motor complete	1.000	ST	SEE RATING PLATE
	<b>Item text1:</b> / 1.027-344.0/ -347.0 /-358.0 /				
21	5.030-389.0	Moulded part	1.000	ST	
10	6.363-273.0	O-Ring seal 11,0 x 2,0	1.000	ST	
9	6.362-168.0	O-Ring seal 22,3 X 2,4-NBR 70	1.000	ST	
22	7.318-035.0	Parallel key 8x7x25 -C45R DIN 6885-1	1.000	ST	
17	7.367-009.0	Radial shaft seal ring A35x52x7-NBR DIN	1.000	ST	
20	6.339-060.0	Rubber buffer M8	4.000	ST	
1	7.303-048.0	Screw M6x20 -St-R3R (In6Rd)	4.000	ST	
26	6.303-031.0	Screw M8x16-ST-R2R DIN 7500-1	1.000	ST	
11	5.411-100.0	Screw plug	1.000	ST	
16	6.401-225.3	Taper roller bearing 41	1.000	ST	
6	6.343-010.0	Tolerance ring 62x10	1.000	ST	
19	7.312-166.0	Toothed lock washer A8,4-FSt-A3E DIN 67	9.000	ST	
28	7.312-159.0	Toothed lock washer A8,4-FST-PH DIN 679	1.000	ST	
14	5.115-565.0	Washer	1.000	ST	
15	5.120-235.3	Wobble plate	1.000	ST	



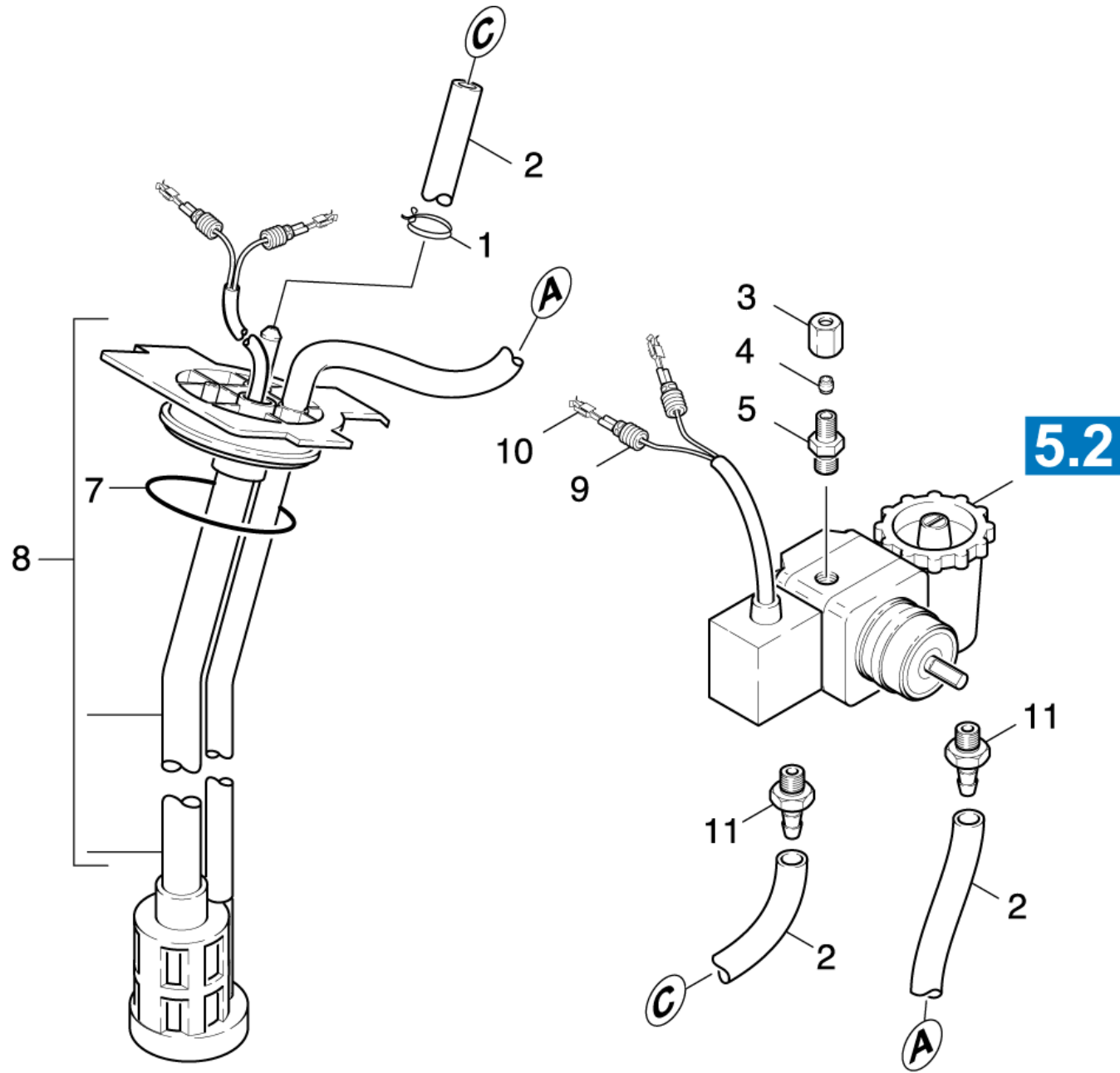
## 40 Blower

POS	Article no.	Description	Quantity	Unit	Foot note text
6	5.606-005.0	Air flap	1.000	ST	
8	5.600-045.0	Blower wheel	1.000	ST	VERSION 1
8	5.600-080.0	Blower wheel with groove	1.000	ST	VERSION 2
11	5.178-026.0	Cloth collar	1.000	ST	
7	5.471-097.0	Coupler fuel pump	1.000	ST	VERSION 2
7	5.471-060.0	Coupling element	1.000	ST	VERSION 1
3	5.063-457.0	Cover blower	1.000	ST	
13	5.605-168.0	Housing blower	1.000	ST	
9	7.318-058.0	Parallel key 4x4x20-1.4301 DIN 6885	1.000	ST	VERSION 2
12	5.379-019.0	Rubber ring	4.000	ST	
2	7.303-084.0	Screw 4x25 -10.9-R2R (K-In6Rd)	6.000	ST	
17	7.306-071.0	Screw M5x10 -8.8-R2R (In6Rd)	1.000	ST	VERSION 2
1	7.306-090.0	Screw M6x16 -8.8-R3R (In6Rd)	1.000	ST	
15	7.303-048.0	Screw M6x20 -St-R3R (In6Rd)	4.000	ST	
4	7.303-077.0	Sheet metal screw ST4,8X16-ST-R2R (IN6R	1.000	ST	
10	6.388-608.0	Tightening strap	2.000	ST	
9	6.343-027.0	Tolerance ring D17X16	1.000	ST	VERSION 1
16	7.312-264.0	Washer 5-100HV-A3E ISO 7094	1.000	ST	VERSION 2
5	7.312-278.0	Washer 5-200HV-A2E ISO7093-1	1.000	ST	
14	7.312-260.0	Washer 6 -100HV-A3E ISO 7094	4.000	ST	

## 50 Fuel system

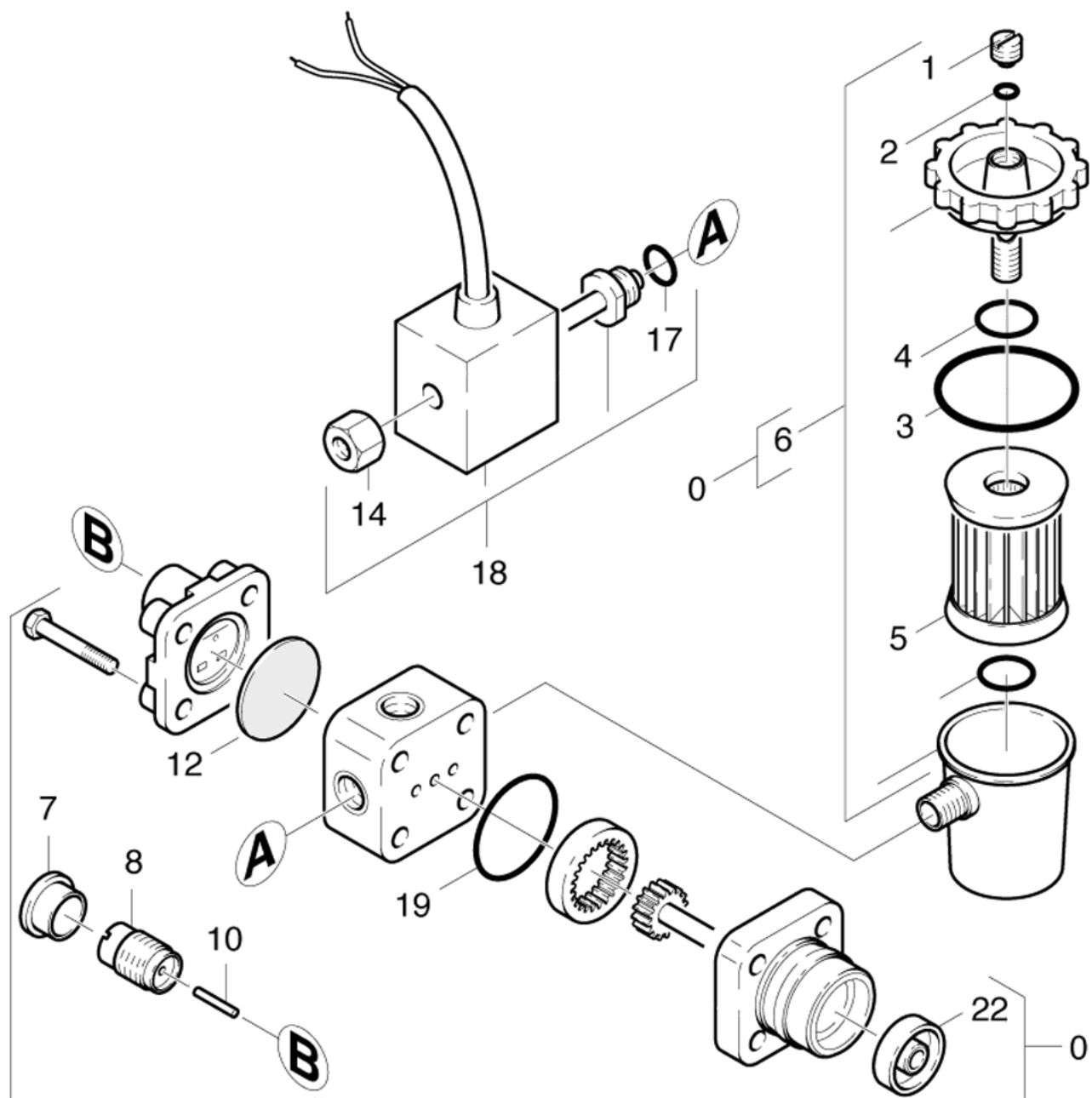
---

<b>POS</b>	<b>Description</b>	<b>Quantity</b>	<b>Unit</b>
52	Fuel pump	1.000	ST
51	Fuel pump	1.000	ST



## 51 Fuel pump

POS	Article no.	Description	Quantity	Unit	Foot note text
10	6.647-234.0	Contact	4.000	ST	
4	6.389-263.0	Cutting ring d.4	1.000	ST	
2	6.389-534.0	Hose	1.000	M	TO ORDER AS CUT GOODS
1	6.389-768.0	Hose clip	1.000	ST	
11	6.472-927.0	Hose stem only for replacement	2.000	ST	
7	6.362-855.0	O-Ring seal 56,0 X 4,0	1.000	ST	
8	4.421-630.0	Pipelines	1.000	ST	
5	6.389-261.0	Screw union	1.000	ST	
9	6.647-235.0	Sealing cable	4.000	ST	
3	6.389-262.0	Union nut A 4-LL	1.000	ST	





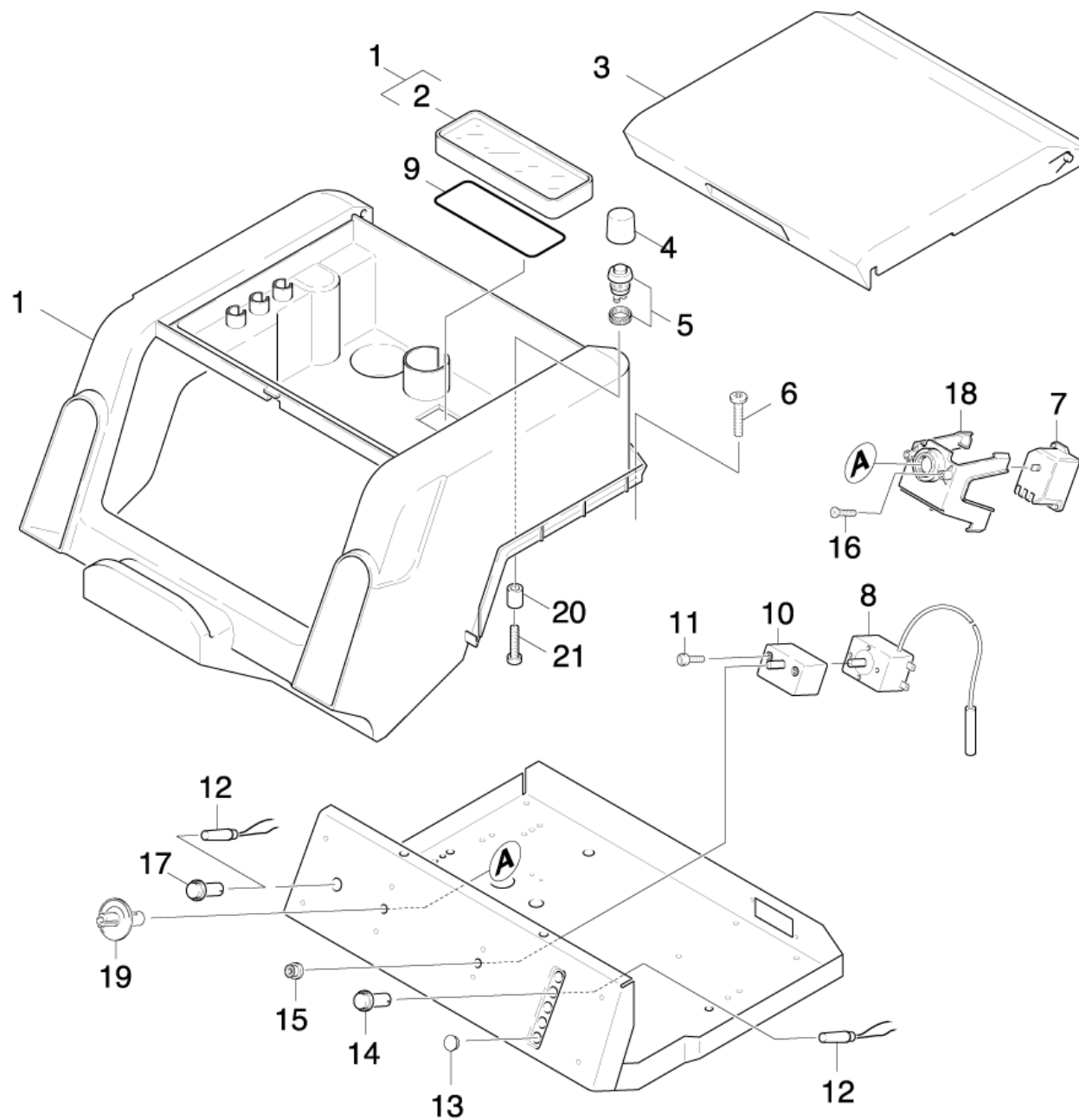
## 52 Fuel pump

POS	Article no.	Description	Quantity	Unit
12	6.472-128.0	Diaphragm	1.000	ST
5	6.472-113.0	Filter cartridge	1.000	ST
6	6.472-123.0	Filter housing complete	1.000	ST
8	6.472-109.0	Housing spring	1.000	ST
14	6.472-340.0	Knurled nut	1.000	ST
2	6.472-106.0	O-Ring seal 5,0 X 1,8	1.000	ST
4	6.472-112.0	O-Ring seal 10,0 x 2,4 NBR 70	1.000	ST
17	6.472-125.0	O-Ring seal 12,0 X 1,5	1.000	ST
19	6.472-120.0	O-Ring seal 28,5 X 1,6	1.000	ST
3	6.472-111.0	O-Ring seal 32,0 X 1,6	1.000	ST
10	6.472-108.0	Pin	1.000	ST
7	6.472-122.0	Protecting cap	1.000	ST
0	6.472-925.0	Pump oil burner only for replacement	1.000	ST
1	6.472-107.0	Screw ventilation	1.000	ST
22	6.472-105.0	Seal axle	1.000	ST
18	6.472-408.0	Solenoid valve complete	1.000	ST

## 60 Electric control box

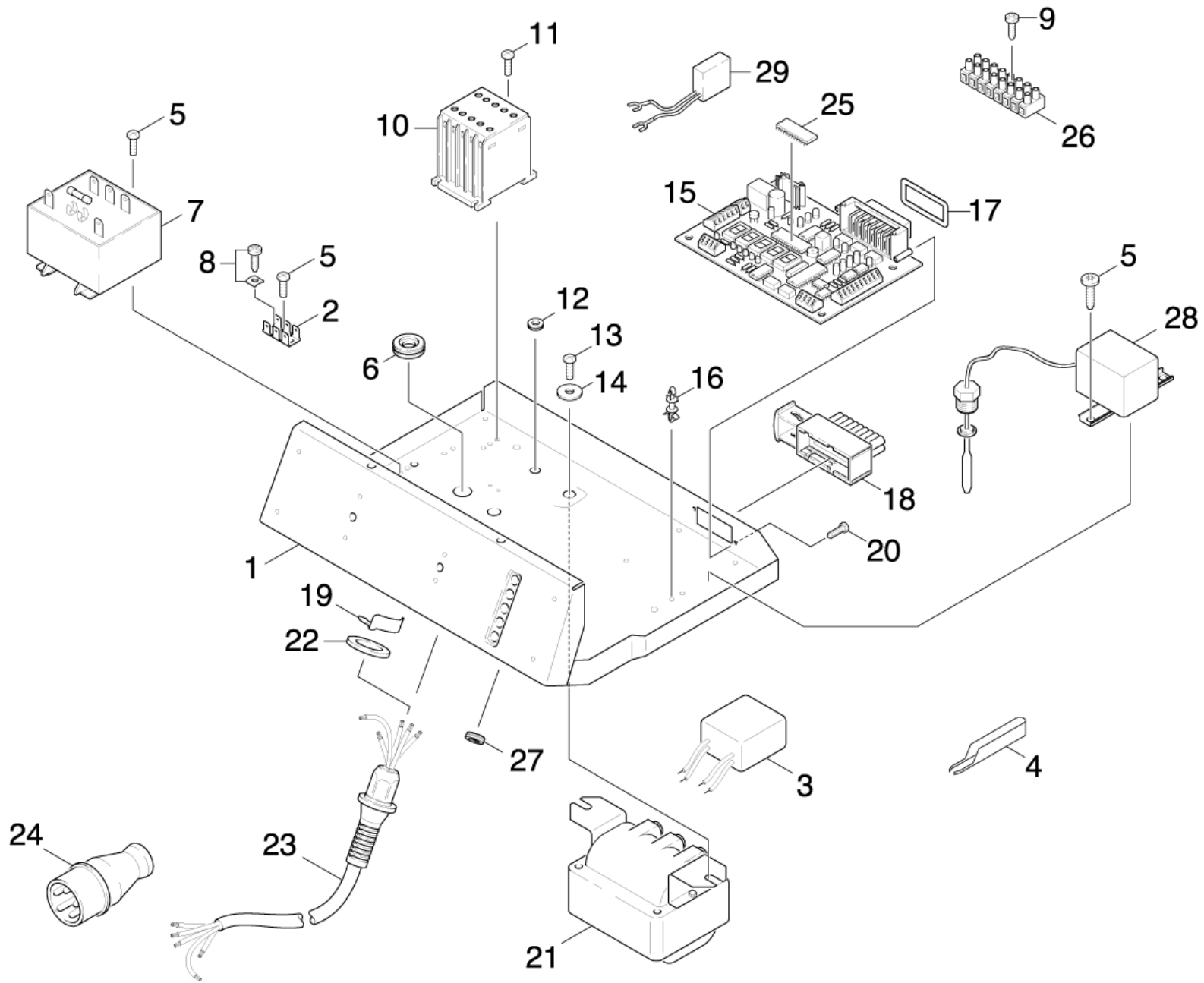
---

<b>POS</b>	<b>Description</b>	<b>Quantity</b>	<b>Unit</b>
62	Bottom part	1.000	ST
61	Top part	1.000	ST



## 61 Top part

POS	Article no.	Description	Quantity	Unit	Foot note text
4	6.368-057.0	Cap rubber	1.000	ST	
16	7.303-125.0	Countersunk screw 4x16 -10.9-R2R (In6Rd	2.000	ST	
2	5.063-498.0	Cover	1.000	ST	
1	4.066-295.0	Cover complete	1.000	ST	
3	5.031-913.0	Flap	1.000	ST	
18	5.044-412.0	Holder (CONDOR-SCHAER)	1.000	ST	
17	6.651-421.0	Lens housing green	1.000	ST	
14	6.651-316.0	Lens housing red	3.000	ST	
7	6.631-190.0	Motor protecting switch	1.000	ST	
	<b>Item text1:</b> / 1.027-343.0 / -345.0 / -346.0				
7	6.631-428.0	Motor protecting switch -22-27A	1.000	ST	
	<b>Item text1:</b> / 1.027-344.0 / -347.0 / -358.0 /				
13	6.368-076.0	Ornamental hub cap D10/D12	2.000	ST	
12	4.651-026.0	Pilot lamp only for replacement	4.000	ST	
15	5.365-152.0	Profile gasket	1.000	ST	
5	6.634-106.0	Push button	1.000	ST	
11	7.306-236.0	Screw M4x6 -8.8-R2R (In6Rd)	2.000	ST	
21	7.303-034.0	Screw M4x20-ST-R2R (IN6RD)	1.000	ST	
6	7.303-045.0	Screw M5x55 -St-ZNBHL (In6Rd)	2.000	ST	
9	6.273-070.0	Seal string cellular rubber 4	1.000	M	TO ORDER AS CUT GOODS
19	5.100-335.0	Shaft switch CONDOR	1.000	ST	
20	6.347-076.0	Spacer sleeve	1.000	ST	
10	6.630-368.0	Switch	1.000	ST	
8	6.686-173.0	Thermostat	1.000	ST	



## 62 Bottom part

POS	Article no.	Description	Quantity	Unit
29	6.641-802.0	Anti-interference element 24V	1.000	ST
23	6.648-514.0	Cable complete .4X2,5	1.000	ST
	<b>Item text1:</b> / 1.027-344.0 / -347.0 /-358.0 /			
23	6.647-250.0	Cable with rubber bushing	1.000	ST
	<b>Item text1:</b> / 1.027-343.0 / -345.0 / -346.0			
10	4.632-002.0	Contacteur -nur fuer Ersatz-	1.000	ST
	<b>Item text1:</b> / 1.027-343.0 / -345.0 / -346.0			
10	6.632-356.0	Contacteur LC1-D18 B7	1.000	ST
	<b>Item text1:</b> / 1.027-344.0 / -347.0 /-358.0 /			
7	4.622-018.0	Control transformer -nur für Ersatz-	1.000	ST
	<b>Item text1:</b> / 1.027-344.0 / -347.0 /-358.0 /			
7	6.622-241.0	Control transformer 400V	1.000	ST
	<b>Item text1:</b> / 1.027-343.0 / -345.0 / -346.0			
28	2.885-260.0	Conversion kit temperature limiter	1.000	ST
24	6.646-266.0	Coupler plug	1.000	ST
	<b>Item text1:</b> / 1.027-343.0 / -346.0			
16	6.646-269.0	Distance pin	3.000	ST
4	5.901-134.0	Extraction tool AMP	1.000	ST
17	5.364-158.0	Flat gasket	1.000	ST
21	4.622-033.0	Ignition transformer only for replacemen	1.000	ST
	<b>Item text1:</b> / 1.027-344.0 / -347.0 /-358.0 /			
3	6.661-229.0	Interference suppressor	1.000	ST
19	6.343-186.0	Locking ring	1.000	ST
	<b>Item text1:</b> / 1.027-344.0 / -347.0 /-358.0 /			
2	6.641-270.0	Plug	1.000	ST
24	6.649-577.0	Plug 4pol. 200-250 V	1.000	ST
	<b>Item text1:</b> 1.027-358.0			
24	6.646-356.0	Plug CEE-32A	1.000	ST
	<b>Item text1:</b> / 1.027-344.0 / -347.0 /			
18	6.646-254.0	Plug housing	1.000	ST
27	5.365-109.0	Profile gasket	1.000	ST
6	5.365-158.0	Profile gasket	1.000	ST
19	6.343-170.0	Retaining clip	1.000	ST

## 62 Bottom part

POS	Article no.	Description	Quantity	Unit
	<b>Item text1:</b> / 1.027-343.0 / -345.0 / -346.0			
5	7.303-030.0	Screw M4x8 -St-P2R (In6Rd)	4.000	ST
8	6.303-317.0	Screw M4x10-St-A2G	2.000	ST
11	7.303-032.0	Screw M4x12 -St-R2R (In6Rd)	2.000	ST
13	7.303-036.0	Screw M5x8 -St-A2R (In6Rd)	1.000	ST
20	7.303-061.0	Screw ST2,9x9,5 -St-R2R (In6Rd)	2.000	ST
9	7.303-501.0	Self-tapping screw M3x20-ST-A2E DIN 7500	3.000	ST
1	5.049-551.0	Sheet metal component	1.000	ST
	<b>Item text1:</b> / 1.027-343.0 / -345.0 / -346.0			
1	5.049-657.0	Sheet metal component electric control b	1.000	ST
	<b>Item text1:</b> / 1.027-344.0 / -347.0 /-358.0 /			
21	2.883-791.0	Spare parts set ignition transformer	1.000	ST
	<b>Item text1:</b> / 1.027-343.0 / -345.0 / -346.0			
15	2.885-247.0	Spare parts set service electronics Flam	1.000	ST
26	6.643-249.0	Strip terminal	1.000	ZST
22	5.115-921.0	Washer	1.000	ST
	<b>Item text1:</b> / 1.027-344.0 / -347.0 /-358.0 /			
22	5.115-255.0	Washer	1.000	ST
	<b>Item text1:</b> / 1.027-343.0 / -345.0 / -346.0			
14	7.312-260.0	Washer 6 -100HV-A3E ISO 7094	1.000	ST
12	6.641-422.0	Wire protecting sleeve	1.000	ST

## 21 Spare parts set ignition transformer (2.883-791.0)

---

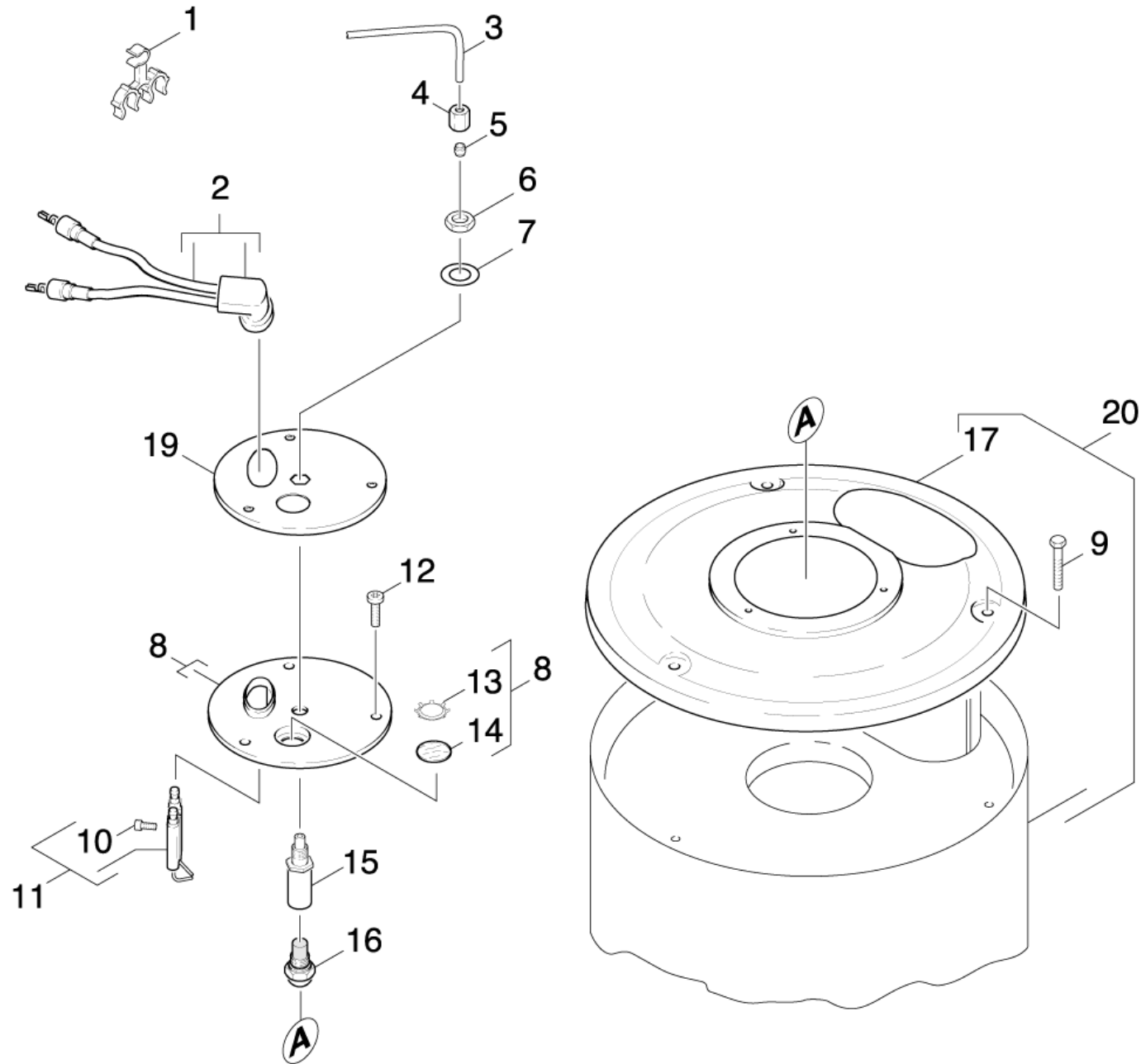
<b>POS</b>	<b>Article no.</b>	<b>Description</b>	<b>Quantity</b>	<b>Unit</b>
30	6.647-518.0	Ignition cable	1.000	ST
10	4.821-071.0	IGNITION LEAD (HDS 557CI)	1.000	ST
20	6.622-157.0	Ignition transformer 400V 50Hz	1.000	ST



## 70 Flow heater

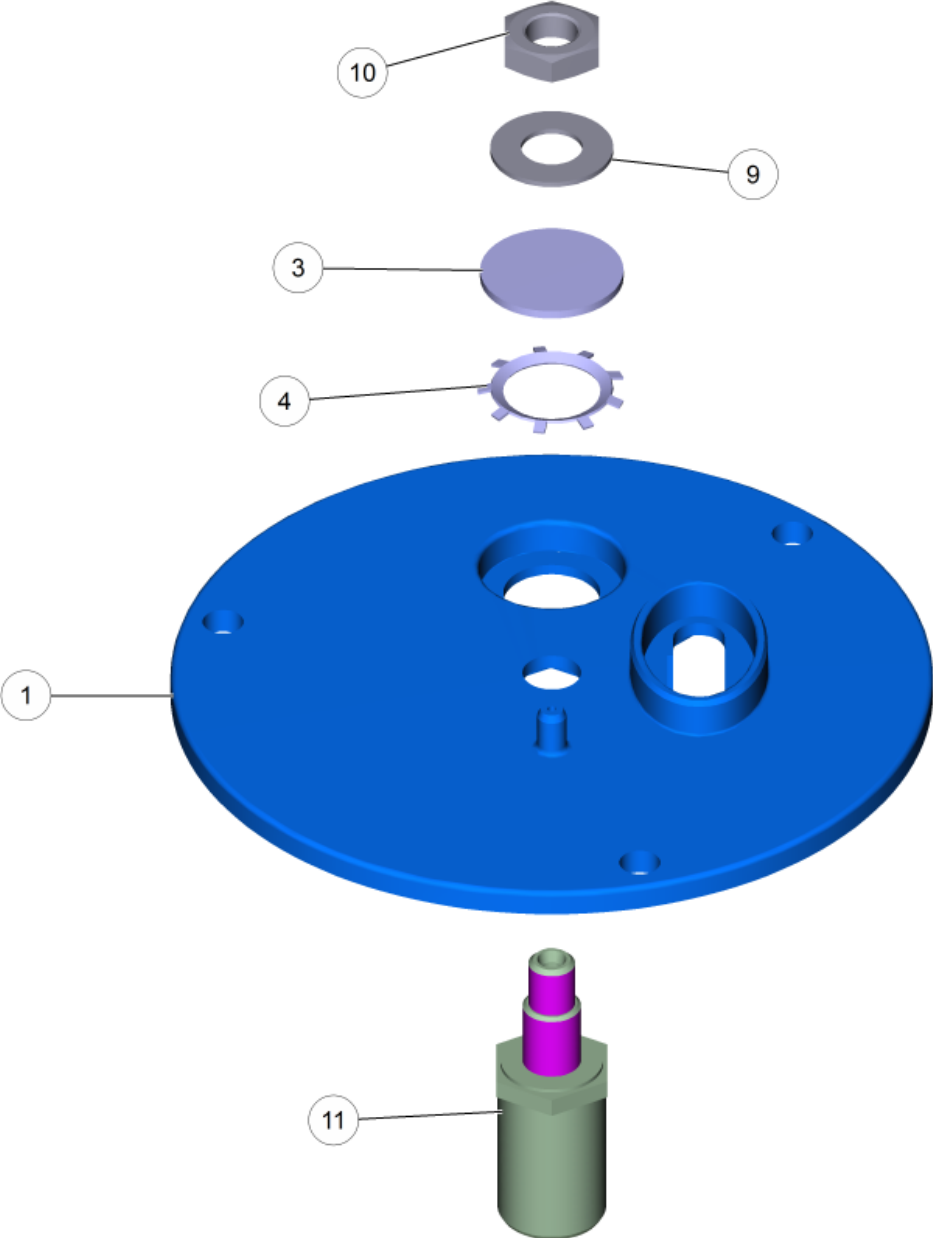
---

<b>POS</b>	<b>Description</b>	<b>Quantity</b>	<b>Unit</b>
73	Burner bottom	1.000	ST
71	Burner cover	1.000	ST
72	Heating coil	1.000	ST



## 71 Burner cover

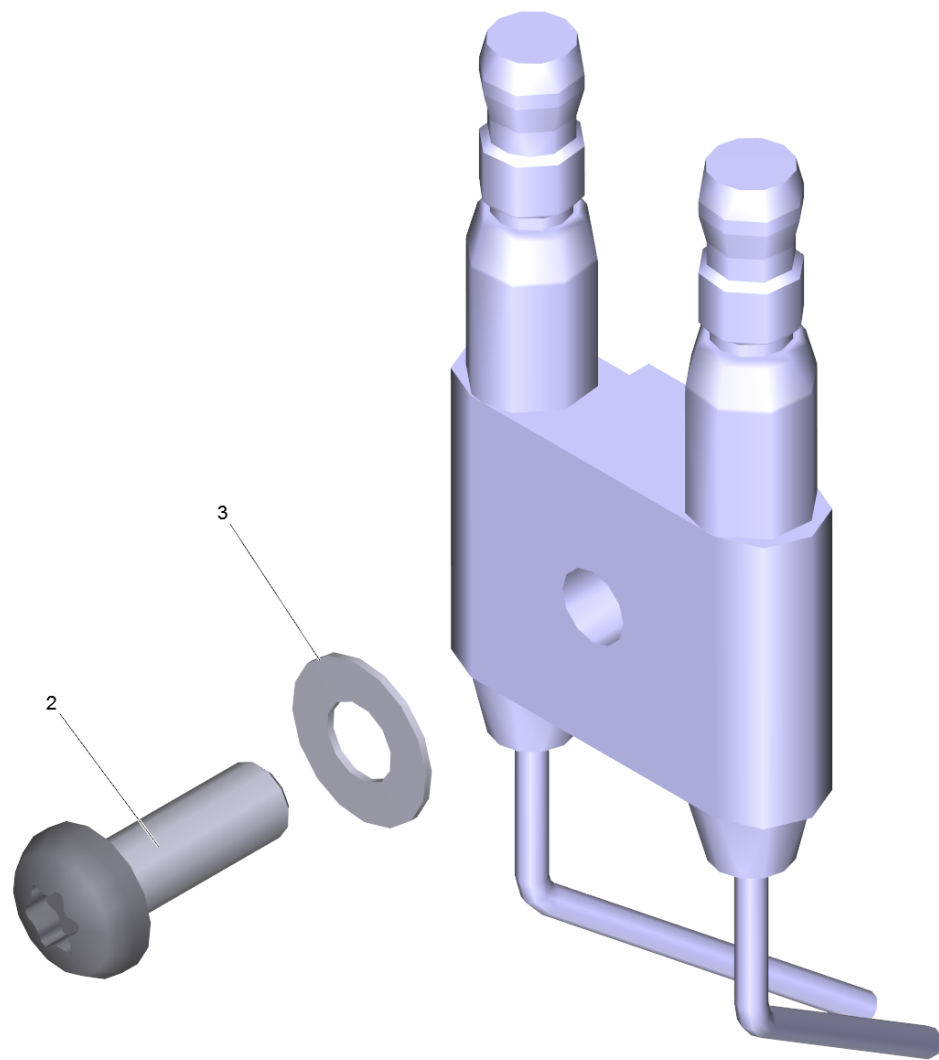
POS	Article no.	Description	Quantity	Unit
3	5.423-187.0	Conduit fuel	1.000	ST
11	2.638-974.0	Conversion kit ignition electrode	1.000	ST
17	5.654-066.0	Cover pressure boiler	1.000	ST
8	4.654-218.0	Cover pressure boiler	1.000	ST
19	5.654-059.0	Cover pressure boiler	1.000	ST
5	6.389-263.0	Cutting ring d.4	1.000	ST
14	6.278-018.0	Glass pane	1.000	ST
6	7.311-101.0	Hexagon nut M10x1 -04-A2E ISO 8675	1.000	ST
1	6.647-527.0	Holder	1.000	ST
2	4.821-071.0	IGNITION LEAD (HDS 557CI)	1.000	ST
16	6.415-641.0	Nozzle	1.000	ST
15	5.667-055.0	Nozzle holder	1.000	ST
20	4.652-131.0	Outer covering	1.000	ST
12	7.303-038.0	Screw M5x12 -St-P2R (In6Rd)	3.000	ST
10	7.306-217.0	Screw M5x14 -8.8-R2R (In6Rd)	1.000	ST
9	6.303-258.0	Self-tapping screw	3.000	ST
13	6.343-165.0	Serrated ring	1.000	ST
7	7.312-302.0	Spring washer B10-FST-A2E DIN 137	1.000	ST
4	6.389-262.0	Union nut A 4-LL	1.000	ST



## 8 Cover pressure boiler (4.654-218.0)

---

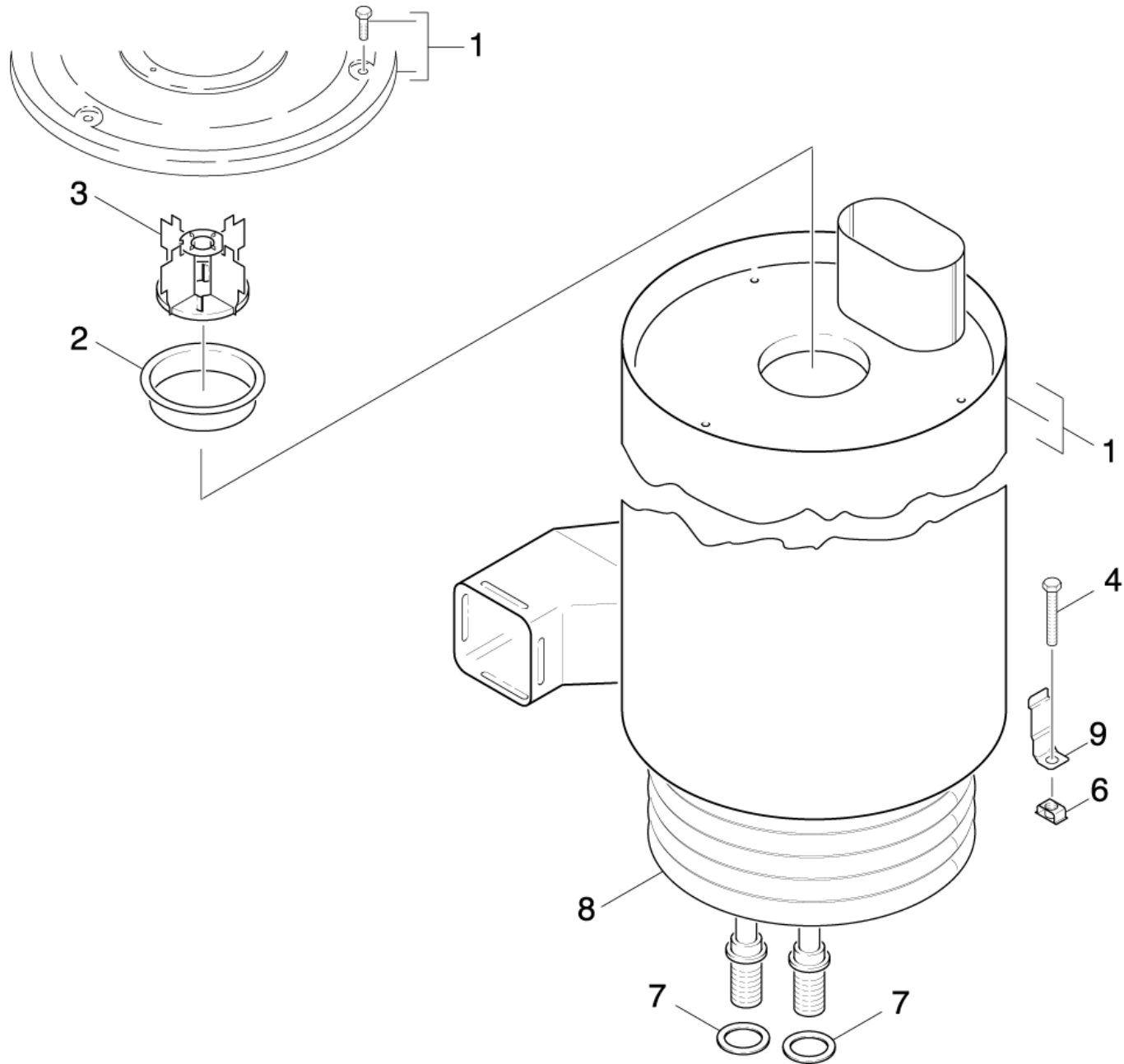
<b>POS</b>	<b>Article no.</b>	<b>Description</b>	<b>Quantity</b>	<b>Unit</b>
1	5.662-022.0	Burner cover	1.000	ST
3	6.278-018.0	Glass pane	1.000	ST
10	7.311-101.0	Hexagon nut M10x1 -04-A2E ISO 8675	1.000	ST
11	5.667-055.0	Nozzle holder	1.000	ST
4	6.343-165.0	Serrated ring	1.000	ST
9	7.312-302.0	Spring washer B10-FST-A2E DIN 137	1.000	ST



## 11 Conversion kit ignition electrode (2.638-974.0)

---

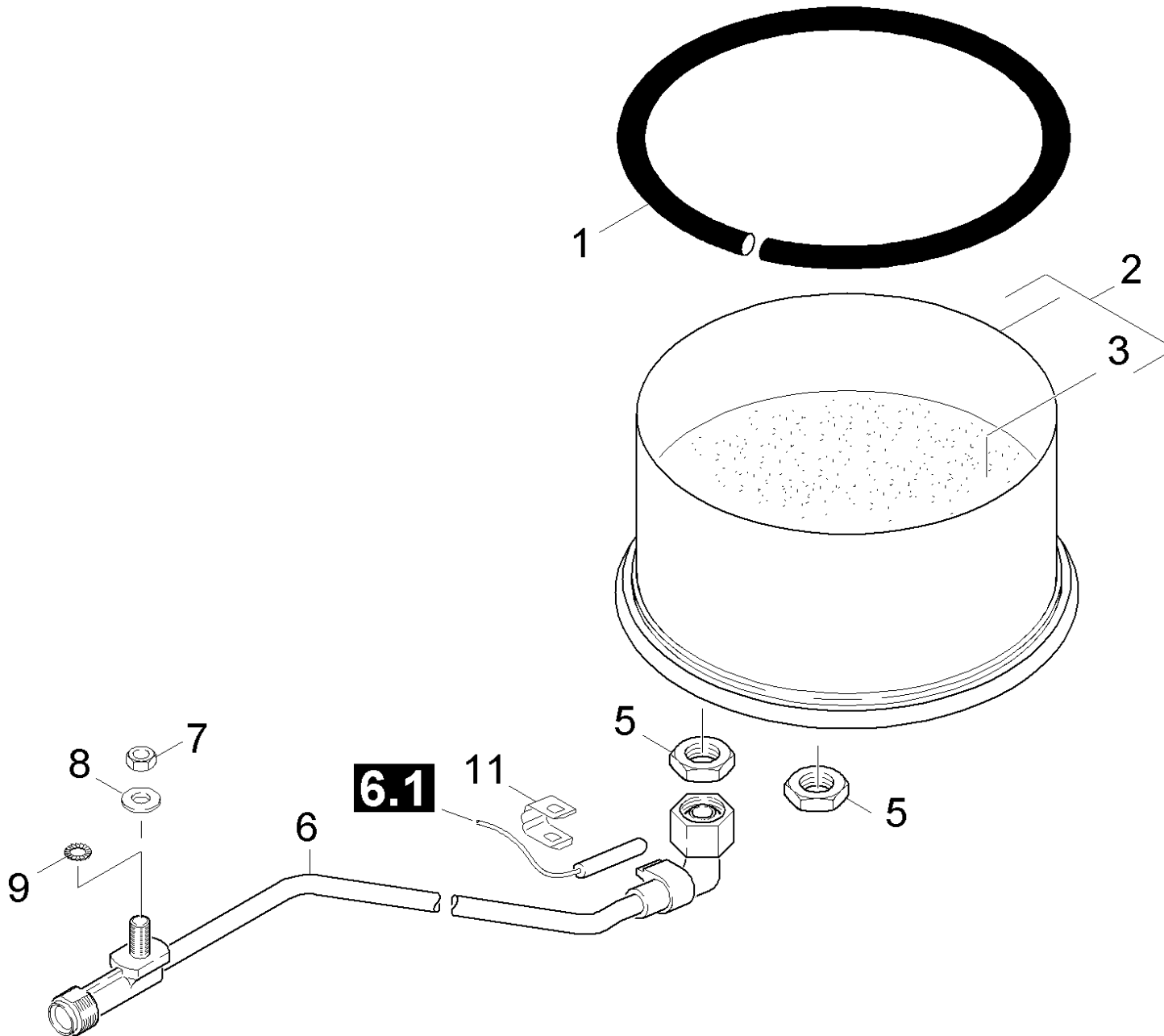
<b>POS</b>	<b>Article no.</b>	<b>Description</b>	<b>Quantity</b>	<b>Unit</b>
2	7.306-217.0	Screw M5x14 -8.8-R2R (In6Rd)	1.000	ST
3	7.312-304.0	Spring washer B 5-FST-A2E DIN 137	1.000	ST





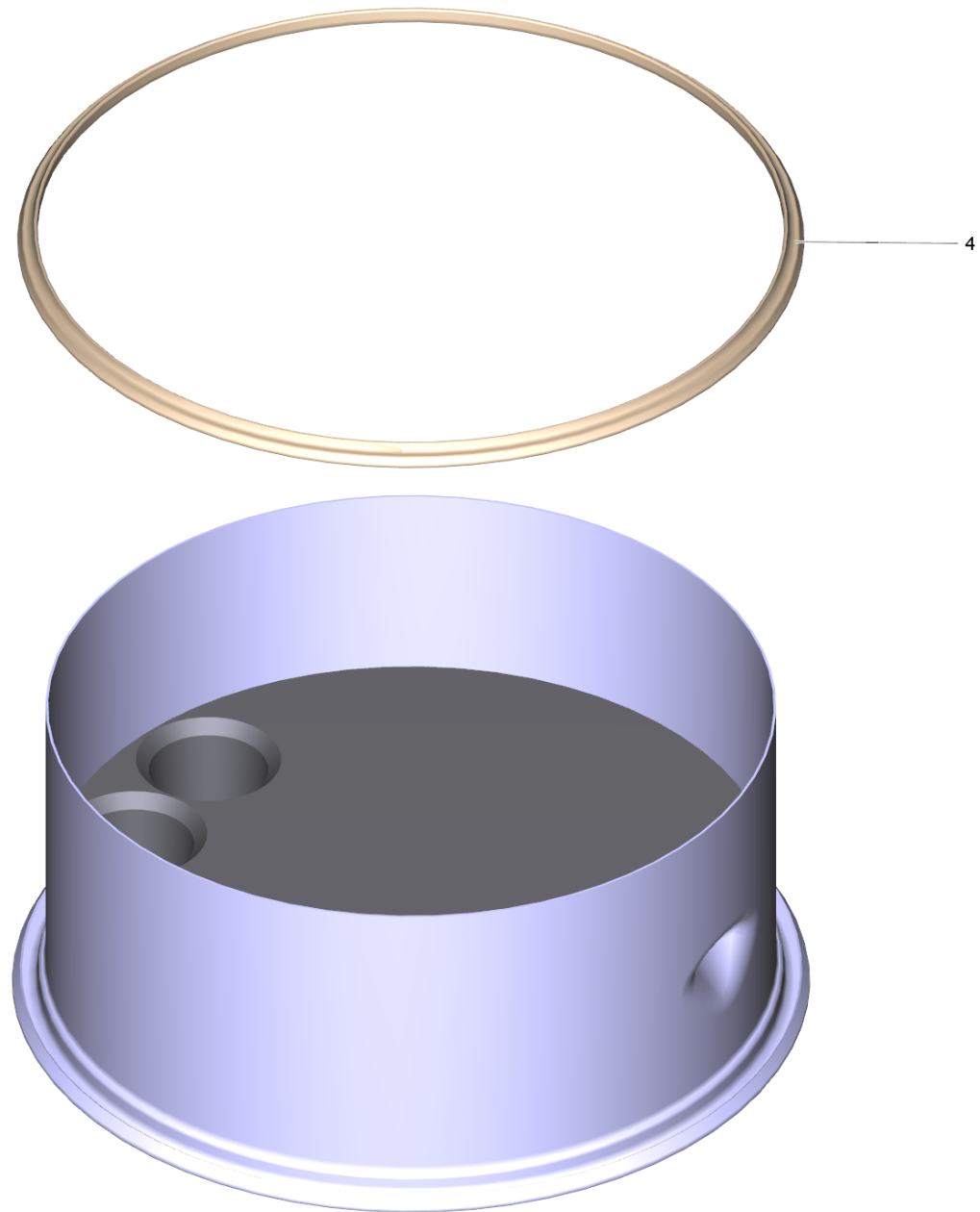
## 72 Heating coil

POS	Article no.	Description	Quantity	Unit	Foot note text
3	4.663-088.0	Baffle plate complete	1.000	ST	
2	5.664-195.0	Burner part	1.000	ST	
6	6.310-081.0	Cage nut M 8	3.000	ST	
8	4.680-135.0	Heating coil	1.000	ST	
8	4.680-137.0	Heating coil VA	1.000	ST	STAINLESS STEEL CONSTRUCTION
4	7.304-051.0	Hexagonal head screw M 8x16-8.8-P2R EN	3.000	ST	
9	5.044-420.0	Holder	3.000	ST	
1	4.652-131.0	Outer covering	1.000	ST	
7	5.365-068.0	Profile gasket	2.000	ST	



## 73 Burner bottom

POS	Article no.	Description	Quantity	Unit
2	4.655-044.0	Bottom pressure boiler	1.000	ST
7	7.311-511.0	Hexagon nut M10-8-A2E ISO 7040	1.000	ST
5	7.311-112.0	Hexagon nut M22X1,5 -22H-A2E DIN 936	2.000	ST
5	7.311-155.0	Hexagon nut M22x1,5 -Cu2 DIN 936	2.000	ST
	<b>Item text1:</b> 1.027-345.0			
6	4.421-627.0	Pipelines outlet	1.000	ST
3	2.889-061.0	Refractory material 8kg	1.000	ST
1	6.366-009.0	Seal string	1.000	ST
12	5.263-064.0	Tensioning part	1.000	ST
9	7.312-160.0	Toothed lock washer A10,5 -FSt-A3E DIN	1.000	ST
8	7.312-285.0	Washer 10 -200HV-A2E ISO7093-1	1.000	ST



2 Bottom pressure boiler (4.655-044.0)

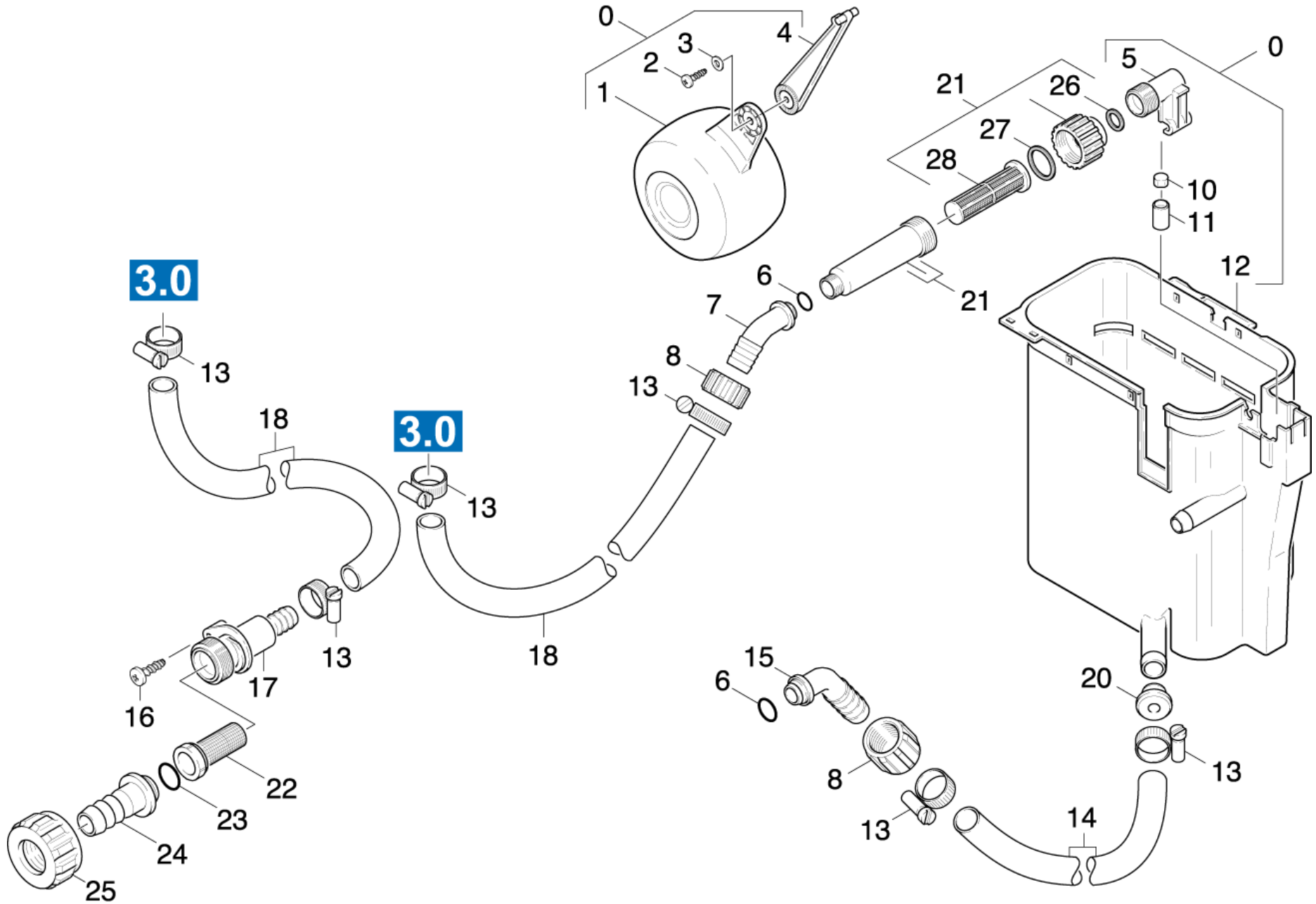
---

<b>POS</b>	<b>Article no.</b>	<b>Description</b>	<b>Quantity</b>	<b>Unit</b>
6	6.869-024.0	Quick-bonding agent	0.004	ZST
4	6.366-009.0	Seal string	1.000	ST

80 Float chest

---

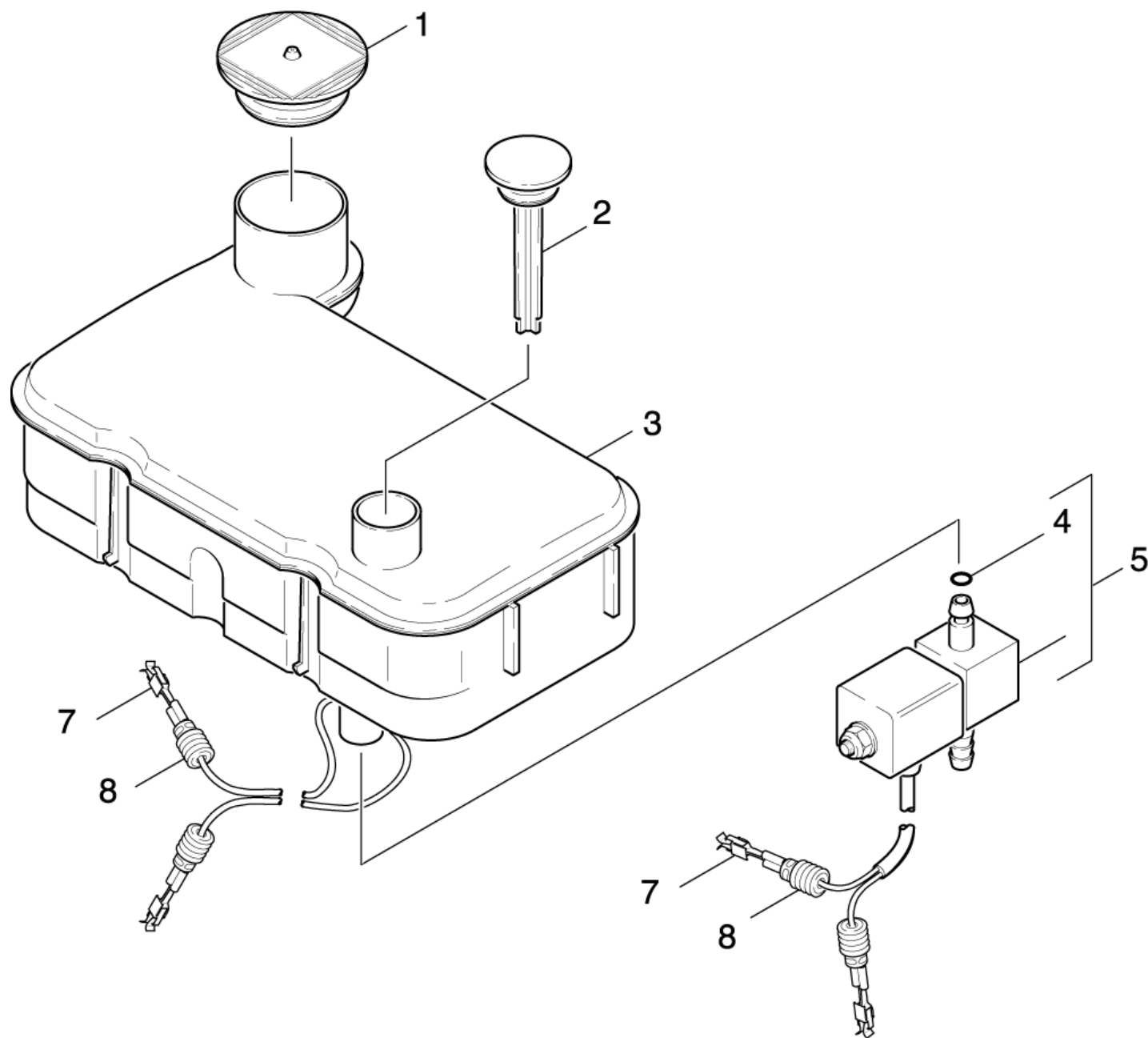
<b>POS</b>	<b>Description</b>	<b>Quantity</b>	<b>Unit</b>
82	DGT	1.000	ST
81	Float chest	1.000	ST



## 81 Float chest

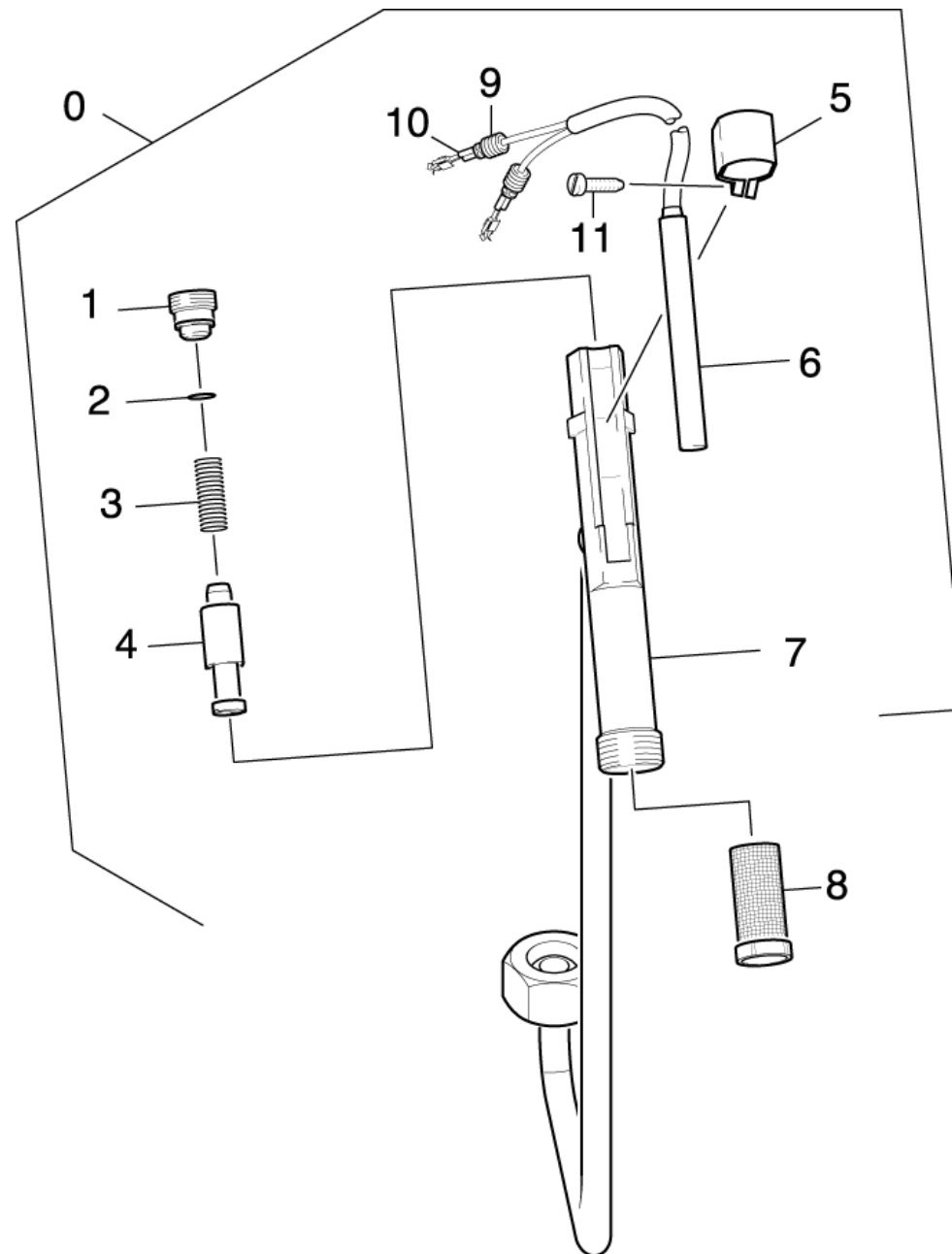
POS	Article no.	Description	Quantity	Unit	Foot note text
20	5.112-286.0	Bush	1.000	ST	
10	5.364-095.0	Flat gasket	1.000	ST	
1	5.585-004.0	Float	1.000	ST	
0	3.593-082.0	Float valve	1.000	ST	
13	7.373-022.0	Hose clip A-16-27x9 -W2-2 DIN3017	6.000	ST	
18	6.388-719.0	Hose DN17	1.000	M	TO ORDER AS CUT GOODS
15	5.443-211.0	Hose stem	1.000	ST	
7	5.443-285.0	Hose stem	1.000	ST	
24	5.443-291.0	Hose stem	1.000	ST	
4	5.481-118.0	Lever	1.000	ST	
17	5.427-154.0	Manifold	1.000	ST	
25	5.310-076.0	Nut	1.000	ST	
8	5.310-062.0	Nut	2.000	ST	
6	6.362-078.0	O-Ring seal 13,3x2,4	2.000	ST	
23	6.362-161.0	O-Ring seal 19,3 X 2,4	1.000	ST	
14	6.392-256.0	Piece of tube 19x4x430	1.000	ST	
2	7.303-104.0	Screw 5x16 -A2-70 (IN6RD)	1.000	ST	
16	7.303-112.0	Screw 6x20 -10.9-R2R (In6Rd)	1.000	ST	
26	5.363-545.0	Seal	1.000	ST	
27	5.363-336.0	Seal	1.000	ST	
22	6.414-141.0	Strainer	1.000	ST	
12	5.070-140.0	Tank	1.000	ST	
5	5.587-147.0	Valve housing	1.000	ST	
11	5.584-085.0	Valve pin	1.000	ST	
3	7.312-282.0	Washer 5 -A2 ISO 7093-1	1.000	ST	
28	5.731-587.0	Water filter	1.000	ST	
21	4.730-127.0	Water filter	1.000	ST	





---

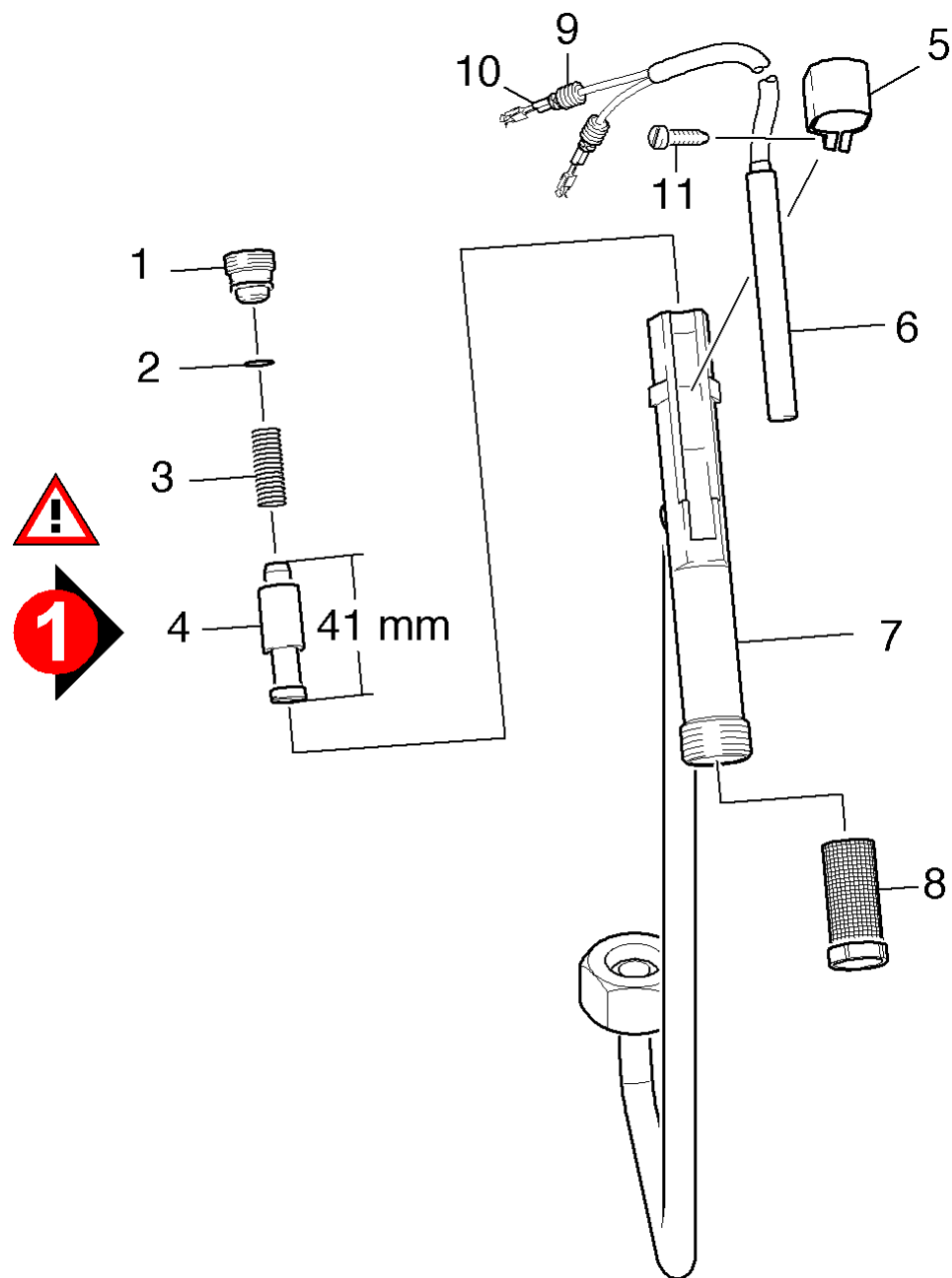
POS	Article no.	Description	Quantity	Unit
7	6.647-234.0	Contact	4.000	ST
2	5.063-507.0	Cover	1.000	ST
1	5.063-487.0	Cover	1.000	ST
4	6.362-113.0	O-Ring seal 6,0 x 2,0 NBR 70	1.000	ST
8	6.647-235.0	Sealing cable	4.000	ST
5	6.685-936.0	Solenoid valve DN 3 -24V	1.000	ST
3	4.070-164.0	Tank	1.000	ST



## 90 Safety system

---

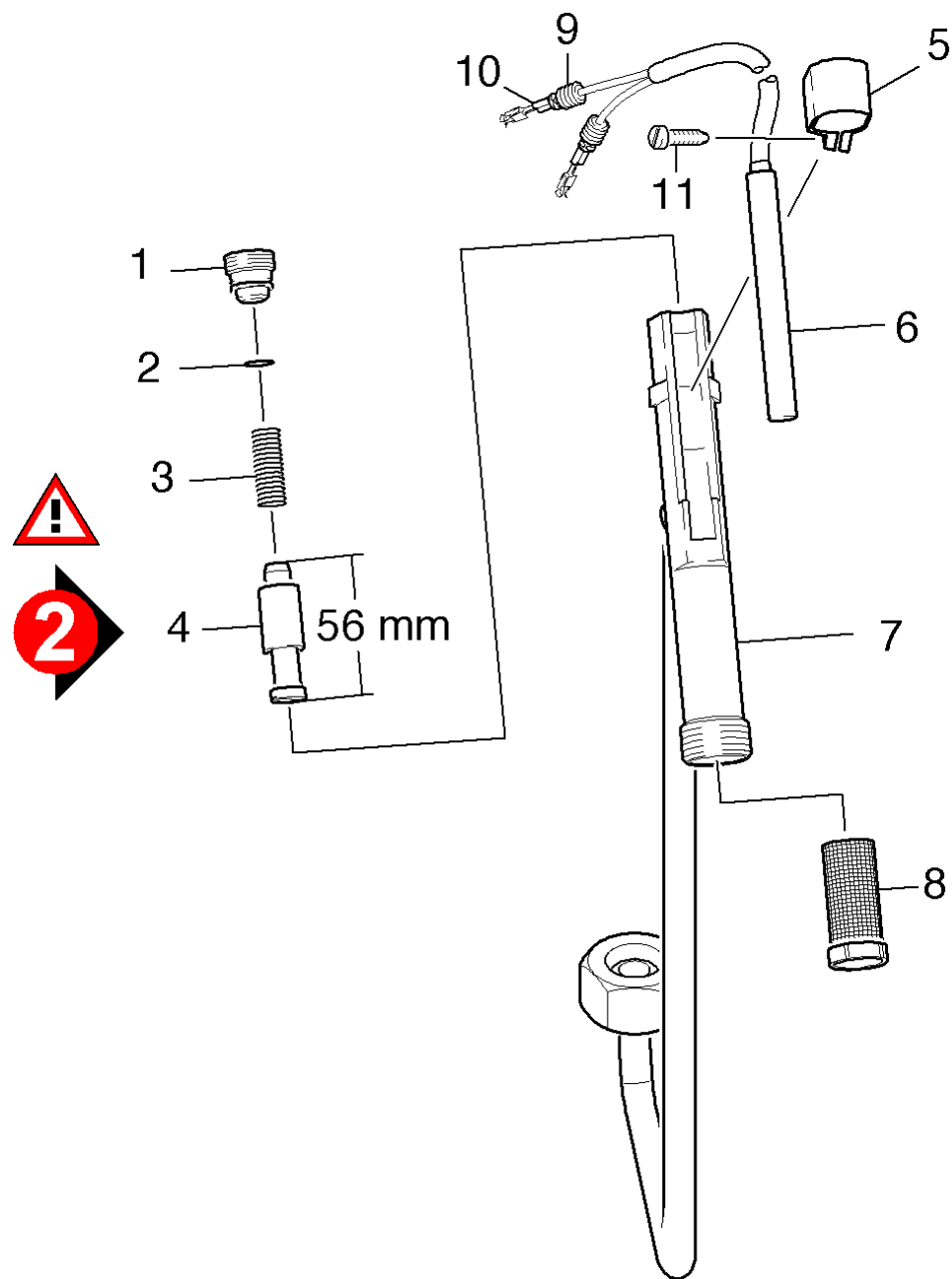
<b>POS</b>	<b>Description</b>	<b>Quantity</b>	<b>Unit</b>	<b>Remark</b>
92	Safety system	1.000	ST	Version 2
91	Safety system	1.000	ST	Version 1



## 91 Safety system

---

<b>POS</b>	<b>Article no.</b>	<b>Description</b>	<b>Quantity</b>	<b>Unit</b>
5	5.041-076.0	Clamp	1.000	ST
10	6.647-234.0	Contact	2.000	ST
3	5.332-057.0	Helical spring	1.000	ST
11	6.303-122.0	M4 .2X13 DIN 7981 TORX T15 PAN HD HI/LO	1.000	ST
7	4.427-202.0	Manifold	1.000	ST
2	6.362-482.0	O-Ring seal 10 x 1,5-NBR 70	1.000	ST
4	4.553-022.0	Piston	1.000	ST
6	2.883-338.0	Reed switch replacement	1.000	ST
9	6.647-235.0	Sealing cable	2.000	ST
1	5.305-162.0	Shaped screw	1.000	ST
8	6.414-566.0	Strainer WMS	1.000	ST



## 92 Safety system

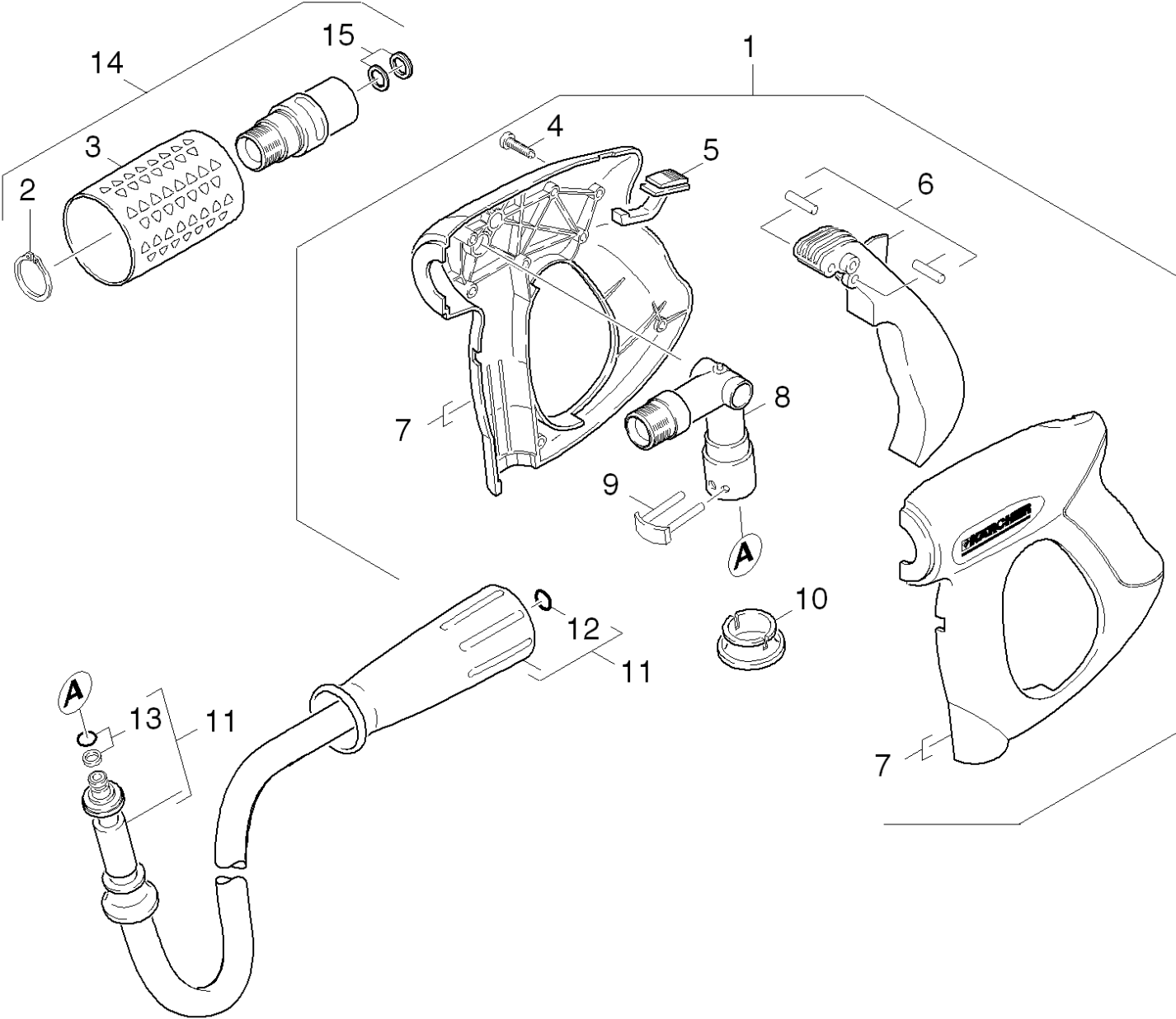
POS	Article no.	Description	Quantity	Unit
4	4.551-058.0	Cartridge protection against water short	1.000	ST
5	5.041-076.0	Clamp	1.000	ST
10	6.647-234.0	Contact	2.000	ST
3	5.332-057.0	Helical spring	1.000	ST
11	6.303-122.0	M4 .2X13 DIN 7981 TORX T15 PAN HD HI/LO	1.000	ST
7	4.427-335.0	Manifold	1.000	ST
2	6.362-482.0	O-Ring seal 10 x 1,5-NBR 70	1.000	ST
6	2.883-338.0	Reed switch replacement	1.000	ST
9	6.647-235.0	Sealing cable	2.000	ST
1	5.305-162.0	Shaped screw	1.000	ST
8	6.414-566.0	Strainer WMS	1.000	ST



## 100 Accessories

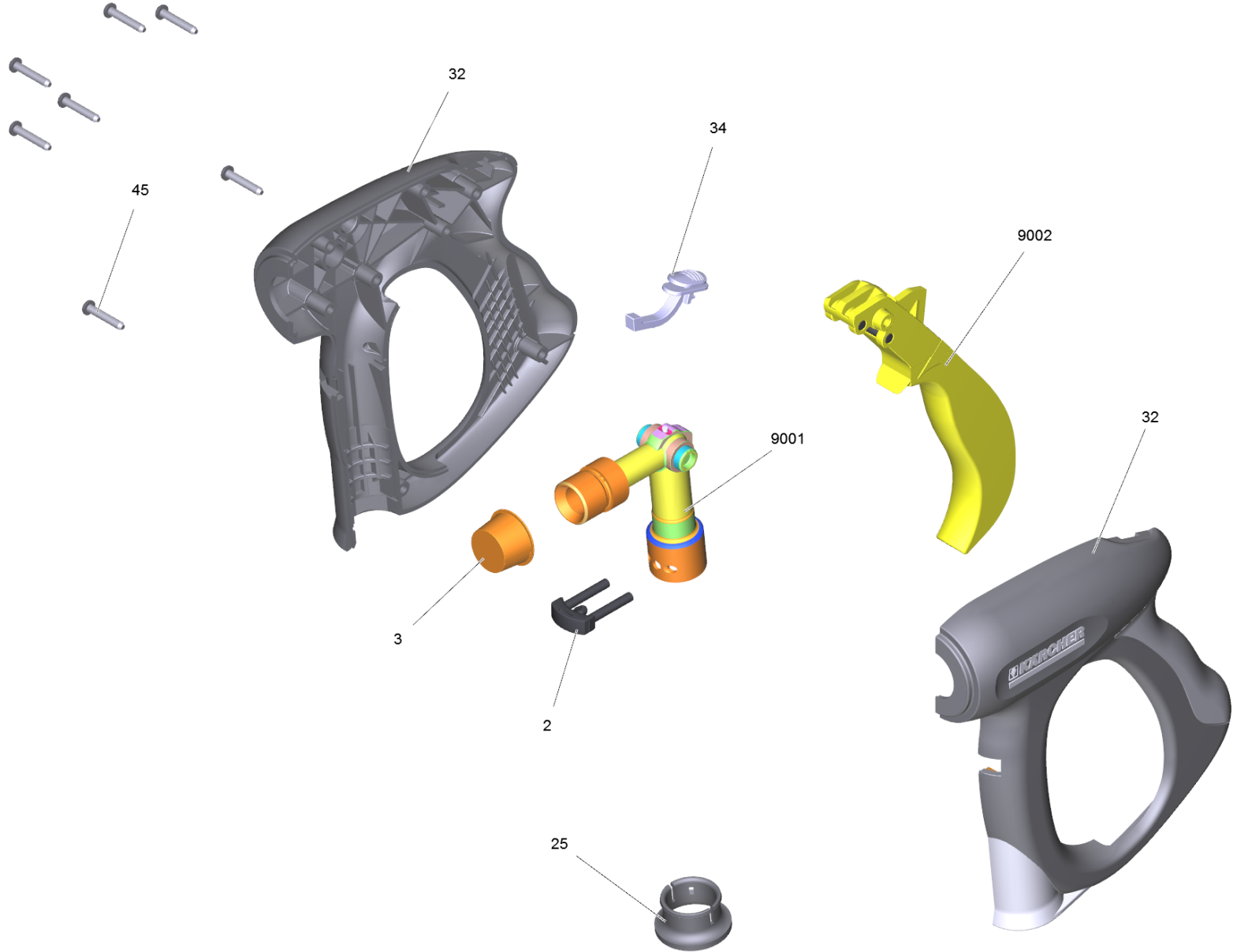
---

<b>POS</b>	<b>Description</b>	<b>Quantity</b>	<b>Unit</b>
101	Hand trigger gun	1.000	ST
103	Hose reel	1.000	ST
102	Jet pipe	1.000	ST
104	Steam nozzle	1.000	ST



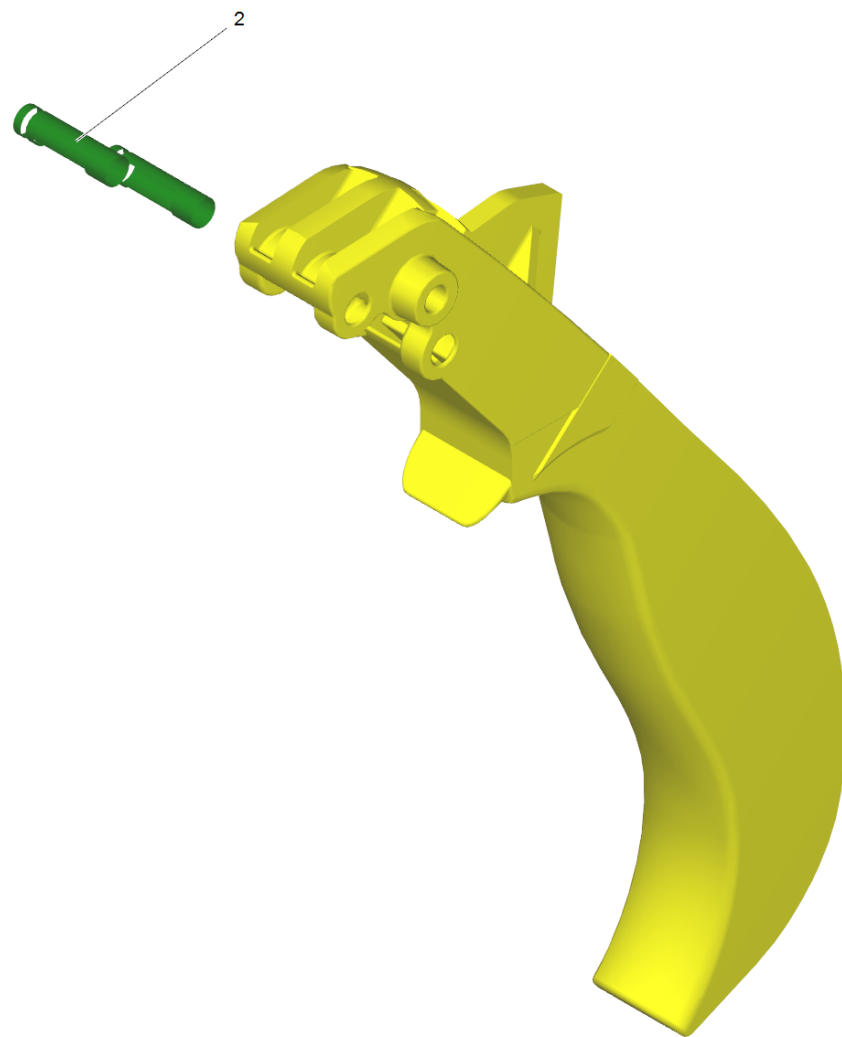
## 101 Hand trigger gun

POS	Article no.	Description	Quantity	Unit
15	4.363-695.0	Grooved ring only for replacement	1.000	ST
7	5.321-669.3	Handhold few	1.000	ST
3	5.321-668.0	Handle	1.000	ST
1	4.775-463.0	HAND TRIGGER GUN EASY PRESS	1.000	ST
9	4.037-013.0	Hook	1.000	ST
11	6.390-208.0	Hose assembly DN8 40MPa 20m	1.000	ST
	<b>Item text1:</b> / 1.027-346.0 / -347.0 /-358.0 /			
11	6.391-351.0	Hose assembly only for replacement DN8 4	1.000	ST
	<b>Item text1:</b> / 1.027-343.0 / -344.0 / -345.0			
6	4.481-209.0	Lever complete	1.000	ST
2	7.343-069.0	Locking ring 25x1,2-1.4122 DIN 471	1.000	ST
8	4.427-215.0	Manifold complete only for replacement	1.000	ST
13	4.363-691.0	O-Ring seal kpl. -nur fuer Ersatz-	1.000	ST
14	4.775-470.0	Rotary controller 416L	1.000	ST
4	7.303-096.0	Screw 4x22 -ST-10.9-R2R (IN6RD)	7.000	ST
10	5.110-596.0	Sleeve	1.000	ST
5	5.481-331.0	Slider	1.000	ST
12	2.880-990.0	Spare part set O-Ring 5x -Kaercher	1.000	ST



1 HAND TRIGGER GUN EASY PRESS (4.775-463.0)

POS	Article no.	Description	Quantity	Unit
32	5.321-669.3	Handhold few	1.000	ST
2	4.037-013.0	Hook	1.000	ST
9002	4.481-209.0	Lever complete	1.000	ST
9001	4.427-215.0	Manifold complete only for replacement	1.000	ST
4	6.869-075.0	Metal bonding agent 1,5 ml	1.000	ST
3	6.368-012.0	Protecting cap 22X1,5	1.000	ST
45	7.303-096.0	Screw 4x22 -ST-10.9-R2R (IN6RD)	7.000	ST
1041	6.288-044.0	Silicon grease 100 G	1.000	ST
25	5.110-596.0	Sleeve	1.000	ST
34	5.481-331.0	Slider	1.000	ST

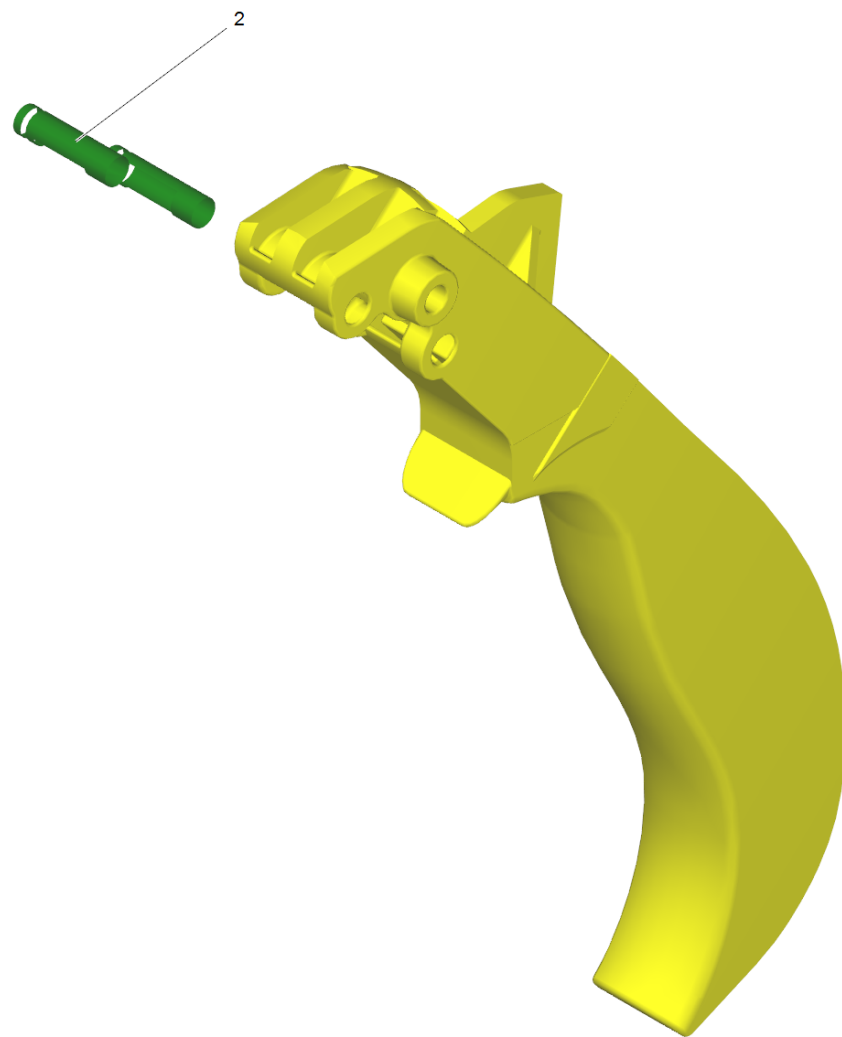


9002 Lever complete (4.481-209.0)

---

<b>POS</b>	<b>Article no.</b>	<b>Description</b>	<b>Quantity</b>	<b>Unit</b>
2	5.314-119.0	Pin	2.000	ST

---



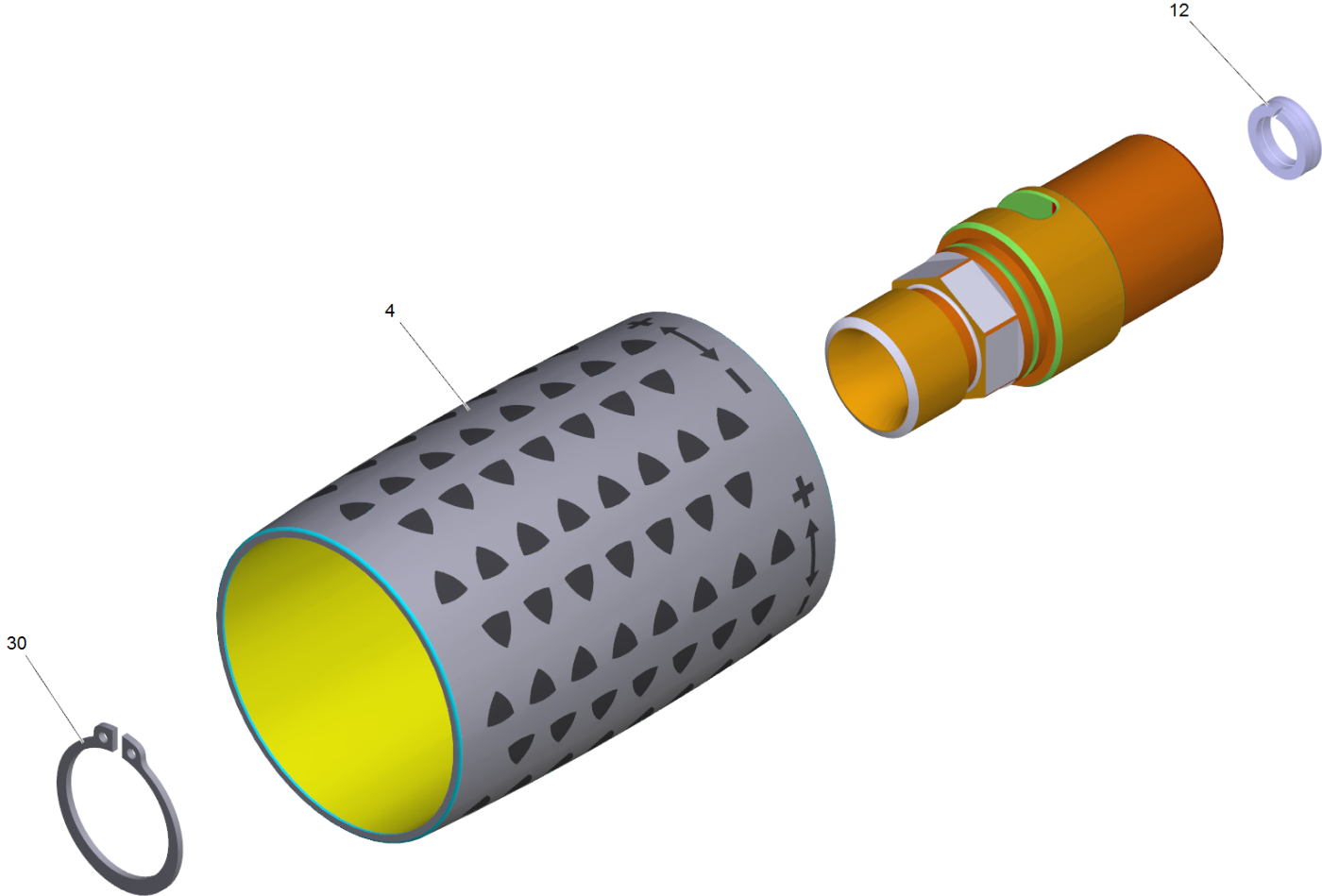


6 Lever complete (4.481-209.0)

---

<b>POS</b>	<b>Article no.</b>	<b>Description</b>	<b>Quantity</b>	<b>Unit</b>
2	5.314-119.0	Pin	2.000	ST

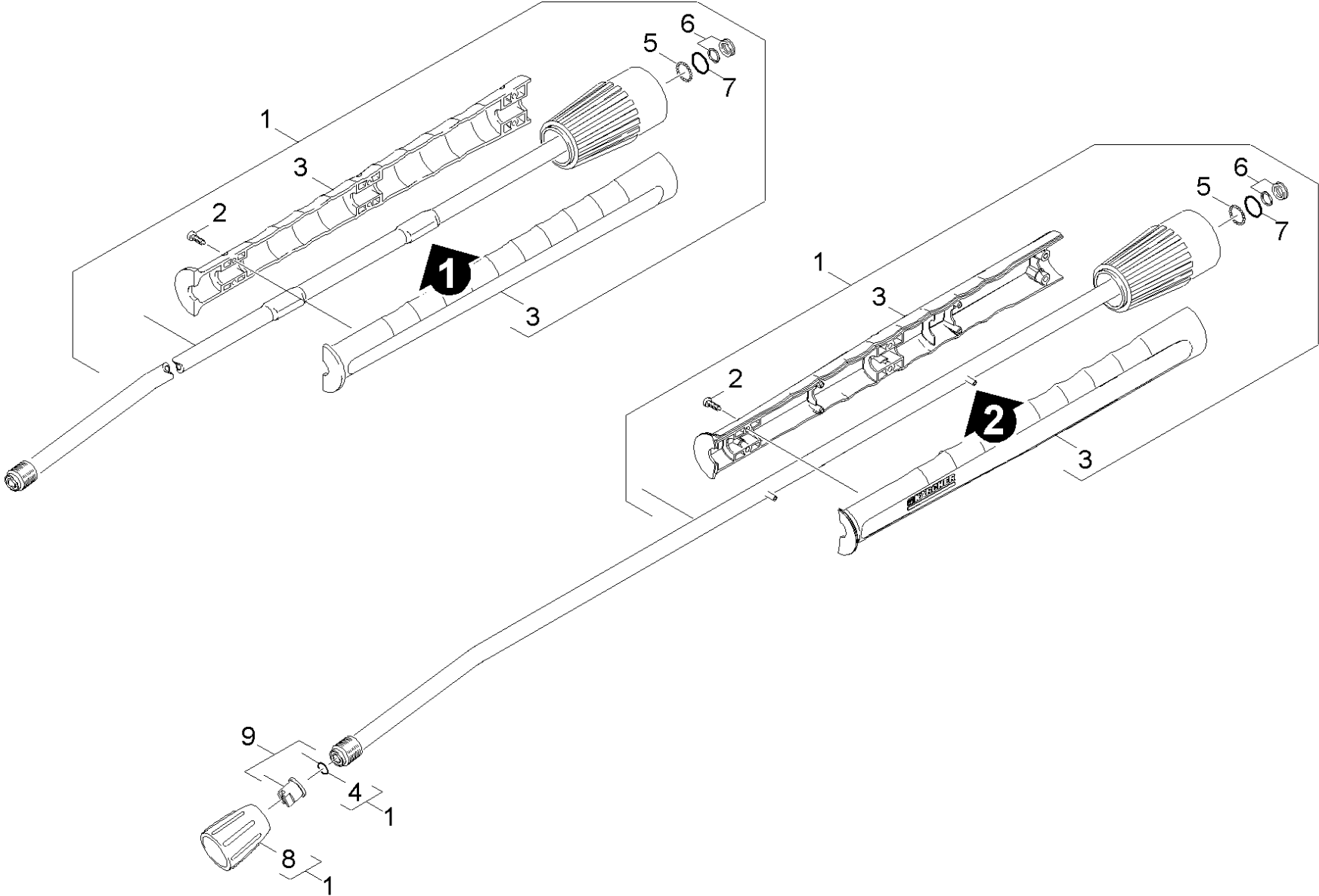
---



#### 14 Rotary controller 416L (4.775-470.0)

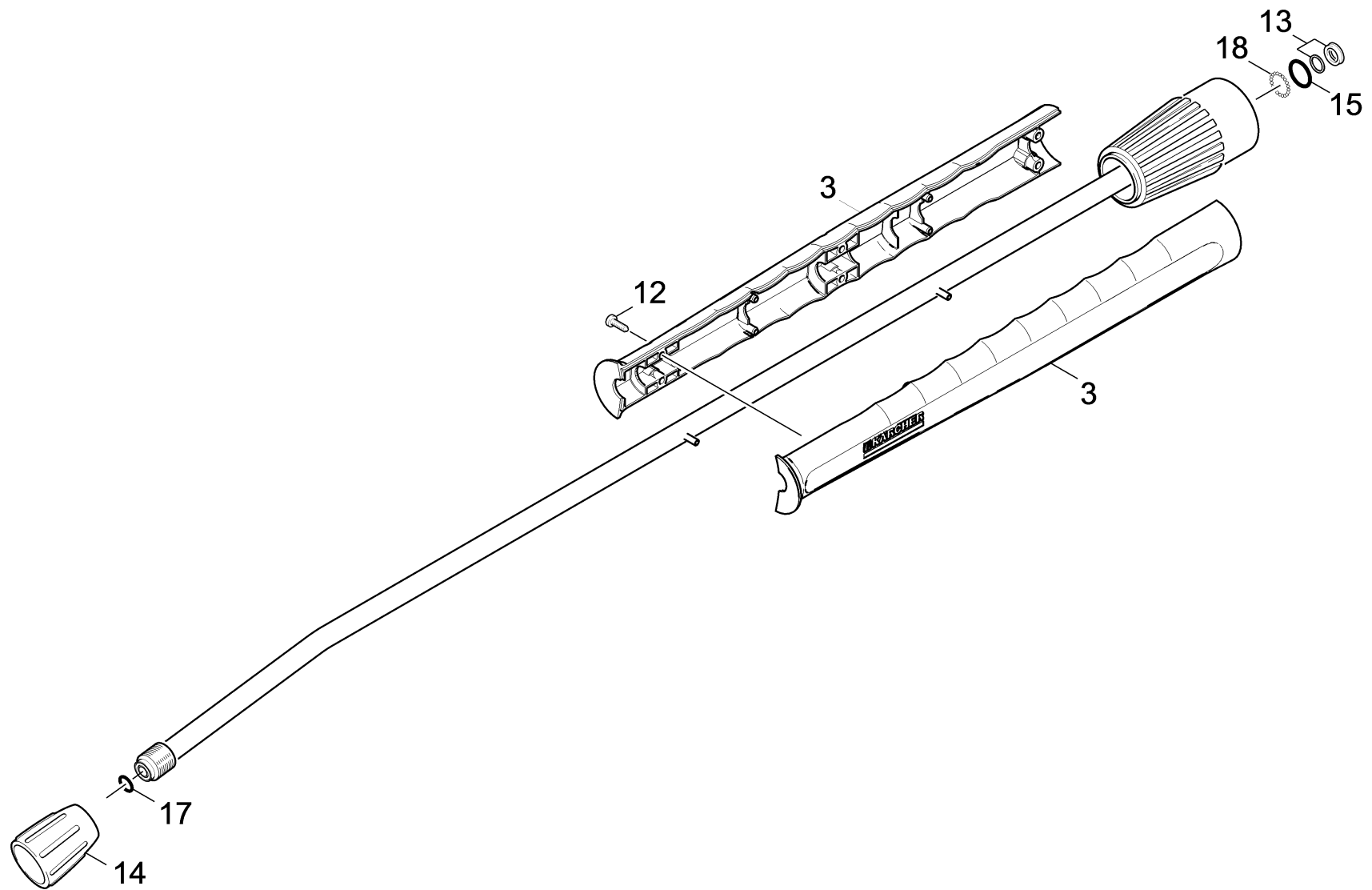
---

<b>POS</b>	<b>Article no.</b>	<b>Description</b>	<b>Quantity</b>	<b>Unit</b>
12	4.363-695.0	Grooved ring only for replacement	1.000	ST
4	5.321-668.0	Handle	1.000	ST
30	7.343-069.0	Locking ring 25x1,2-1.4122 DIN 471	1.000	ST



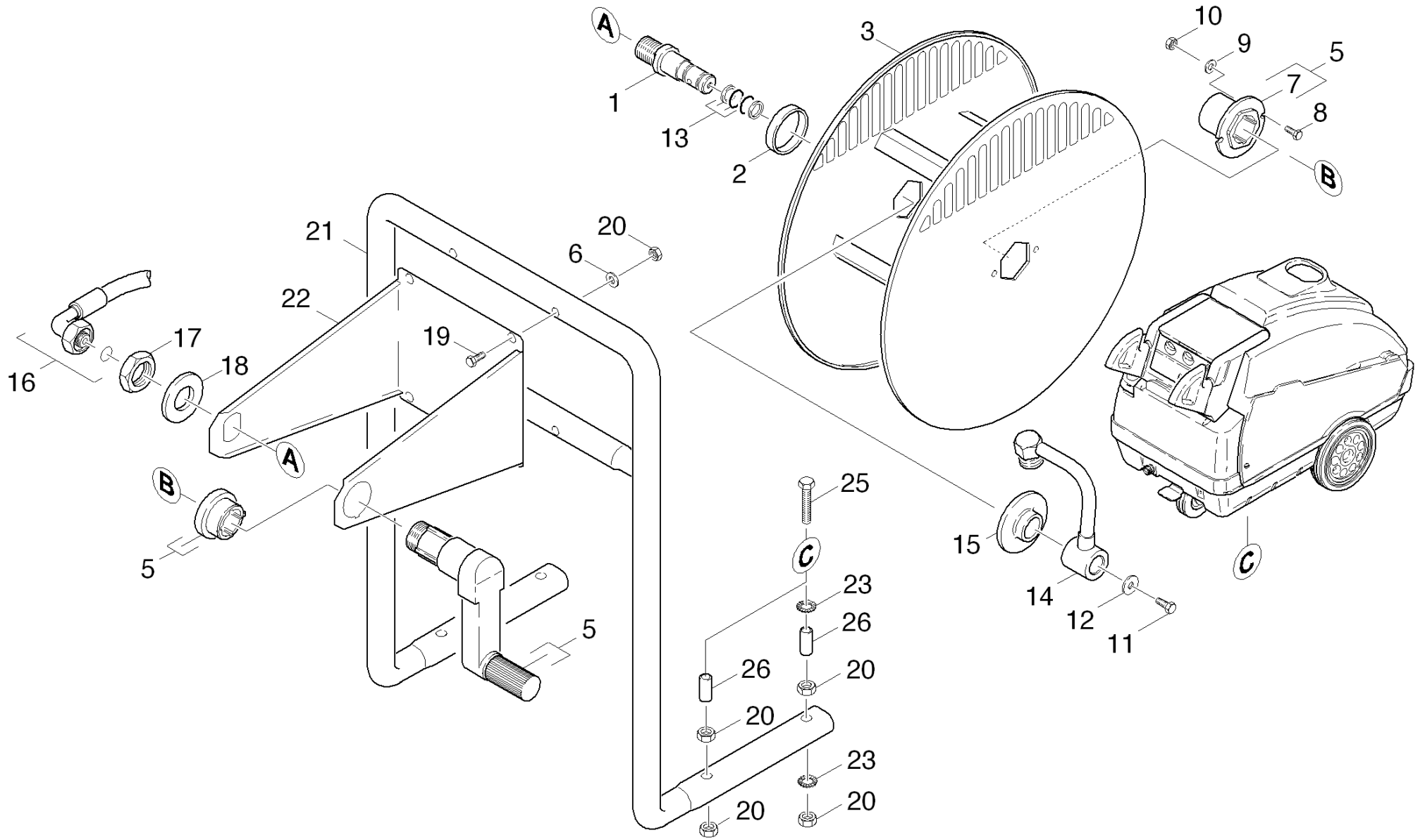
## 102 Jet pipe

POS	Article no.	Description	Quantity	Unit	Remark
6	4.363-692.0	Grooved ring kpl. -nur fuer Ersatz-	1.000	ST	
3	5.321-691.0	Handhold few jet pipe	1.000	ST	VERSION 1
3	5.321-855.0	Handhold few jet pipe with welding bolt	1.000	ST	VERSION 2
1	4.760-660.0	Jet pipe packaged only for replacement	1.000	ST	
7	6.362-524.0	O-Ring seal 17,0 X 1,5	1.000	ST	
9	2.883-927.0	Power nozzle 25054	1.000	ST	
2	7.303-129.0	Screw 4x16 -10.9-R2R (K-In6Rd)	6.000	ST	
8	5.401-129.0	Screw connector part	1.000	ST	
4	2.880-990.0	Spare part set O-Ring 5x -Kaercher	1.000	ST	
5	7.401-915.0	Sphere 2,5 G20 -1.4034 DIN 5401	20.000	ST	



1 Jet pipe packaged only for replacement (4.760-660.0)

POS	Article no.	Description	Quantity	Unit
13	4.363-692.0	Grooved ring kpl. -nur fuer Ersatz-	1.000	ST
3	5.321-855.0	Handhold few jet pipe with welding bolt	1.000	ST
15	6.362-524.0	O-Ring seal 17,0 X 1,5	1.000	ST
12	7.303-129.0	Screw 4x16 -10.9-R2R (K-In6Rd)	6.000	ST
14	5.401-210.0	Screw connector part	1.000	ST
17	2.880-990.0	Spare part set O-Ring 5x -Kaercher	1.000	ST
18	7.401-915.0	Sphere 2,5 G20 -1.4034 DIN 5401	1.000	ST



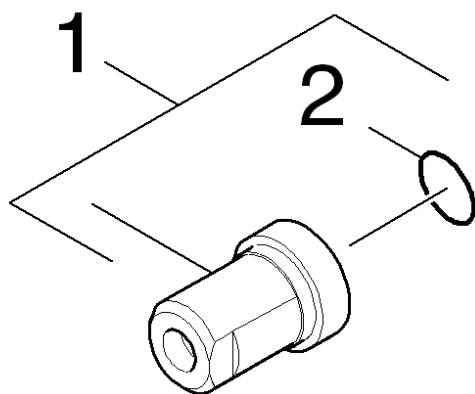


## 103 Hose reel

POS	Article no.	Description	Quantity	Unit
7	5.112-304.0	Bush	1.000	ST
	<b>Item text1:</b> / 1.027-346.0			
15	5.112-305.0	Bush	1.000	ST
	<b>Item text1:</b> / 1.027-346.0			
19	7.306-044.0	Cylinder head screw M8x35 -8.8-A2E ISO4	4.000	ST
	<b>Item text1:</b> / 1.027-346.0			
25	7.304-401.0	Hexagonal head screw M 8x60-8.8-A2E ISO	4.000	ST
	<b>Item text1:</b> / 1.027-346.0			
10	7.311-001.0	Hexagon nut M4 -8-A2E ISO 4032	2.000	ST
	<b>Item text1:</b> / 1.027-346.0			
20	7.311-004.0	Hexagon nut M8 -8-A3E ISO 4032	8.000	ST
	<b>Item text1:</b> / 1.027-346.0			
17	7.311-155.0	Hexagon nut M22x1,5 -Cu2 DIN 936	1.000	ST
	<b>Item text1:</b> / 1.027-346.0			
21	4.044-034.0	Holder complete	1.000	ST
	<b>Item text1:</b> / 1.027-346.0			
16	6.390-123.0	Hose assembly DN8 40MPa 0,6m	1.000	ST
	<b>Item text1:</b> / 1.027-346.0			
3	4.204-504.0	Hose reel	1.000	ST
	<b>Item text1:</b> / 1.027-346.0			
13	4.363-693.0	O-Ring seal kpl. -nur fuer Ersatz-	2.000	ST
	<b>Item text1:</b> / 1.027-346.0			
1	5.108-098.0	Pin	1.000	ST
	<b>Item text1:</b> / 1.027-346.0			
8	7.306-058.0	Screw M 4X 12- 8.8-R2R K-IN6RD	2.000	ST
	<b>Item text1:</b> / 1.027-346.0			
11	7.306-190.0	Screw M6x8 -A2-70 (In6Rd)	1.000	ST
	<b>Item text1:</b> / 1.027-346.0			
22	5.046-485.0	Sheet metal component	1.000	ST
	<b>Item text1:</b> / 1.027-346.0			
26	5.110-778.0	Sleeve	4.000	ST
	<b>Item text1:</b> / 1.027-346.0			
2	5.110-340.0	Sleeve	1.000	ST

## 103 Hose reel

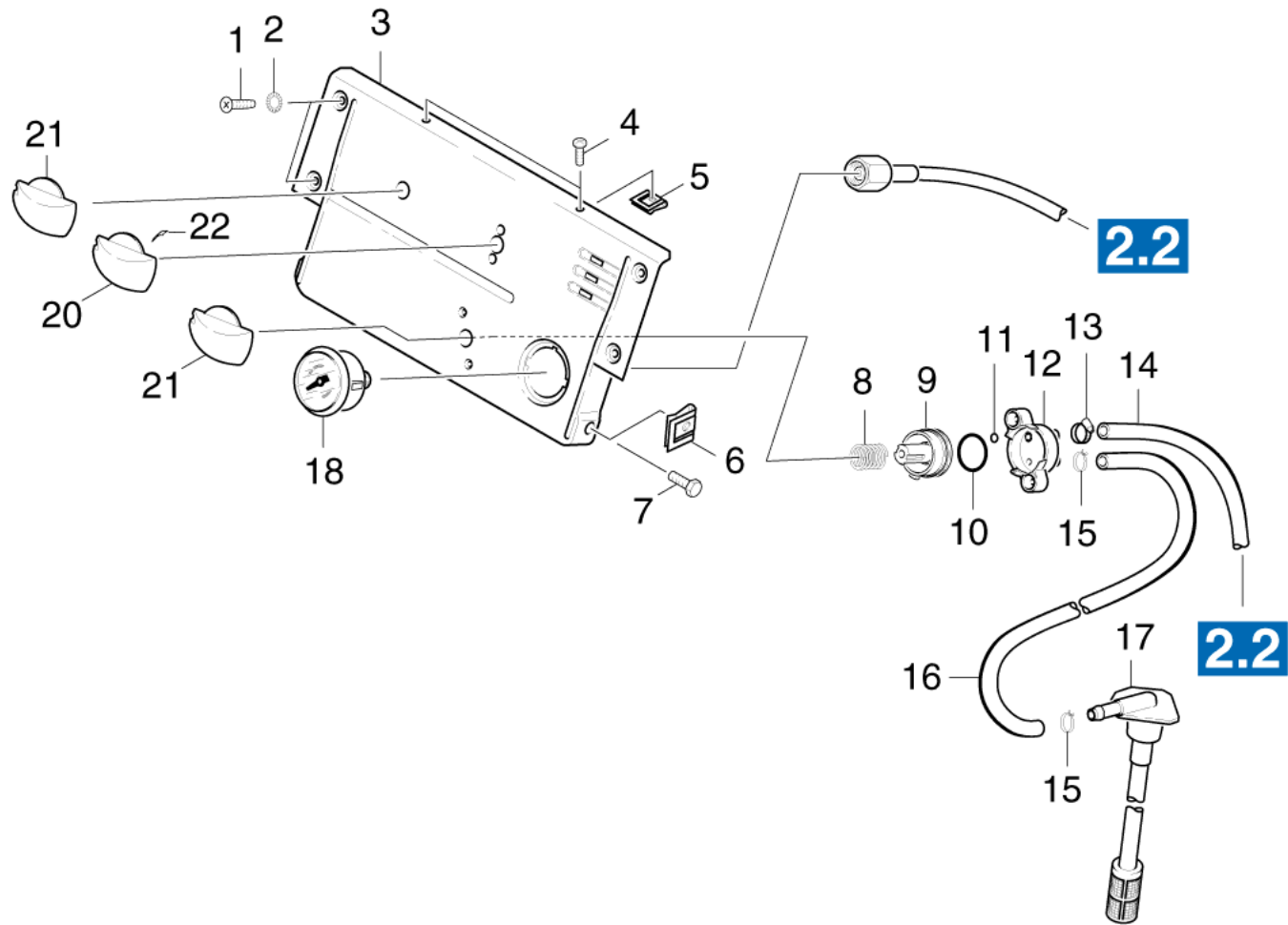
POS	Article no.	Description	Quantity	Unit
	<b>Item text1:</b> / 1.027-346.0			
5	2.884-318.0	Spare part set hose reel	1.000	ST
	<b>Item text1:</b> / 1.027-346.0			
23	7.312-166.0	Toothed lock washer A8,4-FSt-A3E DIN 67	6.000	ST
	<b>Item text1:</b> / 1.027-346.0			
14	4.408-044.0	Tube elbow	1.000	ST
	<b>Item text1:</b> / 1.027-346.0			
9	7.312-001.0	Washer 4 -200HV-A3E ISO 7089	2.000	ST
	<b>Item text1:</b> / 1.027-346.0			
12	7.312-260.0	Washer 6 -100HV-A3E ISO 7094	1.000	ST
	<b>Item text1:</b> / 1.027-346.0			
6	7.312-004.0	Washer 8 -200HV-A3E ISO 7090	4.000	ST
	<b>Item text1:</b> / 1.027-346.0			
18	7.312-024.0	Washer 22-200HV-A3E ISO7090	1.000	ST
	<b>Item text1:</b> / 1.027-346.0			



## 104 Steam nozzle

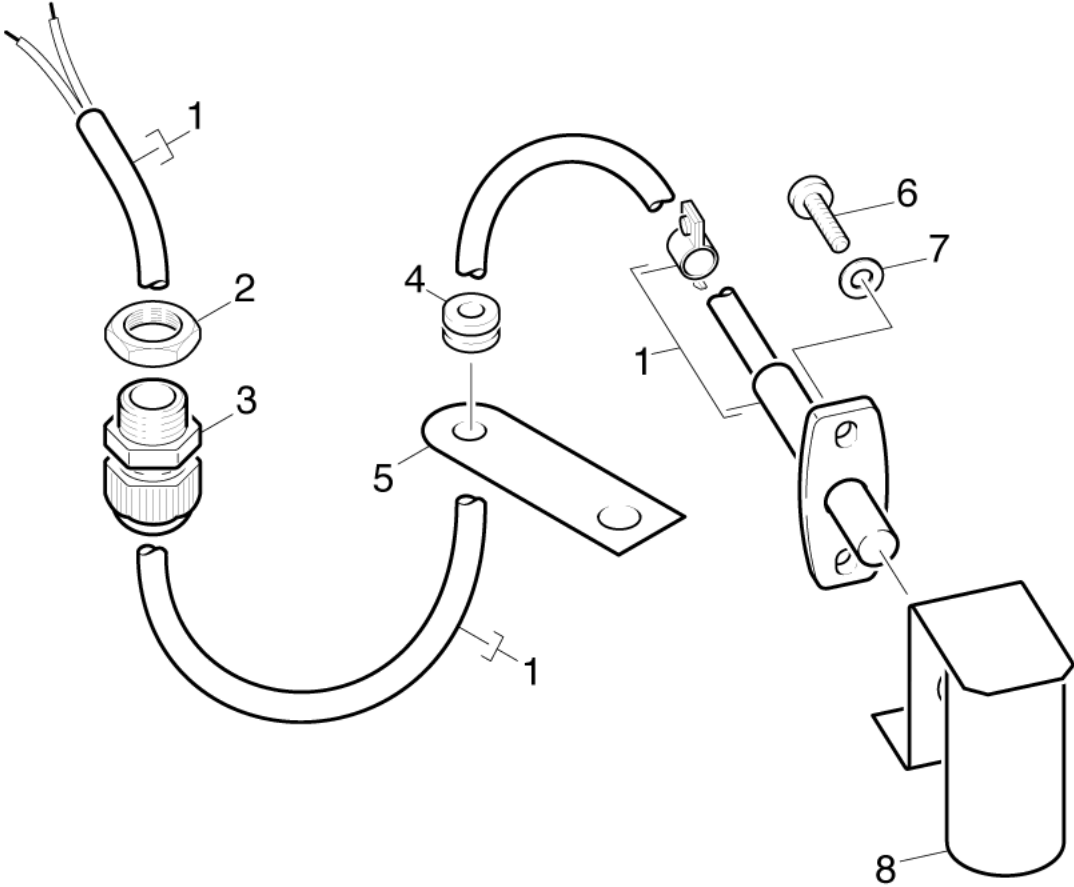
---

<b>POS</b>	<b>Article no.</b>	<b>Description</b>	<b>Quantity</b>	<b>Unit</b>
2	7.362-501.0	O-Ring seal 10x2 EPDM 70 DIN 3770	1.000	ST
1	2.885-050.0	Steam nozzle only for replacement 40075	1.000	ST



## 110 Control panel

POS	Article no.	Description	Quantity	Unit	Foot note text
3	5.841-467.0	Control panel	1.000	ST	
17	6.414-028.0	Filter	1.000	ST	
21	5.321-633.0	Handhold	2.000	ST	
20	5.321-641.0	Handhold thermostat	1.000	ST	
8	5.332-474.0	Helical spring	1.000	ST	
7	7.304-382.0	Hexagonal head screw M 6x12-8.8-A2E ISO	2.000	ST	
15	6.388-559.0	Hose clip	2.000	ST	
13	6.388-515.0	Hose clip	1.000	ST	
14	6.388-194.0	Hose DN 7	1.000	M	TO ORDER AS CUT GOODS
16	6.388-225.0	Hose DN 7	1.000	M	TO ORDER AS CUT GOODS
11	6.362-386.0	O-Ring seal 5,0 x 1,5-NBR 80	1.000	ST	
10	6.362-712.0	O-Ring seal 25,3 X 2,4	1.000	ST	
18	6.421-170.0	Pressure gauge 0-315 BAR	1.000	ST	
6	6.310-082.0	Putting nut M6	2.000	ST	
1	7.303-038.0	Screw M5x12 -St-P2R (In6Rd)	4.000	ST	
4	7.303-078.0	Sheet metal screw ST4,8X19-ST-P2R (KOMBI	2.000	ST	
5	6.310-034.0	Speed nut	2.000	ST	
22	6.313-014.0	Spring element	1.000	ST	
2	7.312-172.0	Toothed lock washer A5,3-FSt-A3E DIN 67	4.000	ST	
12	5.587-054.0	Valve housing	1.000	ST	
9	5.581-251.0	Valve seat	1.000	ST	



120 Flame guard

POS	Article no.	Description	Quantity	Unit
3	6.641-278.0	Cable gland PG7	1.000	ST
	<b>Item text1:</b> 1.027-358.0			
5	5.042-833.0	Holder	1.000	ST
	<b>Item text1:</b> 1.027-358.0			
8	4.043-246.0	Holder	1.000	ST
	<b>Item text1:</b> 1.027-358.0			
2	6.641-756.0	Locknut PG 7	1.000	ST
	<b>Item text1:</b> 1.027-358.0			
1	6.664-030.0	Probe	1.000	ST
	<b>Item text1:</b> 1.027-358.0			
6	7.303-033.0	Screw M4x16-ST-P2R (KOMBI-IN6RD	2.000	ST
	<b>Item text1:</b> 1.027-358.0			
7	7.312-001.0	Washer 4 -200HV-A3E ISO 7089	2.000	ST
	<b>Item text1:</b> 1.027-358.0			
4	6.641-638.0	Wire protecting sleeve	1.000	ST
	<b>Item text1:</b> 1.027-358.0			