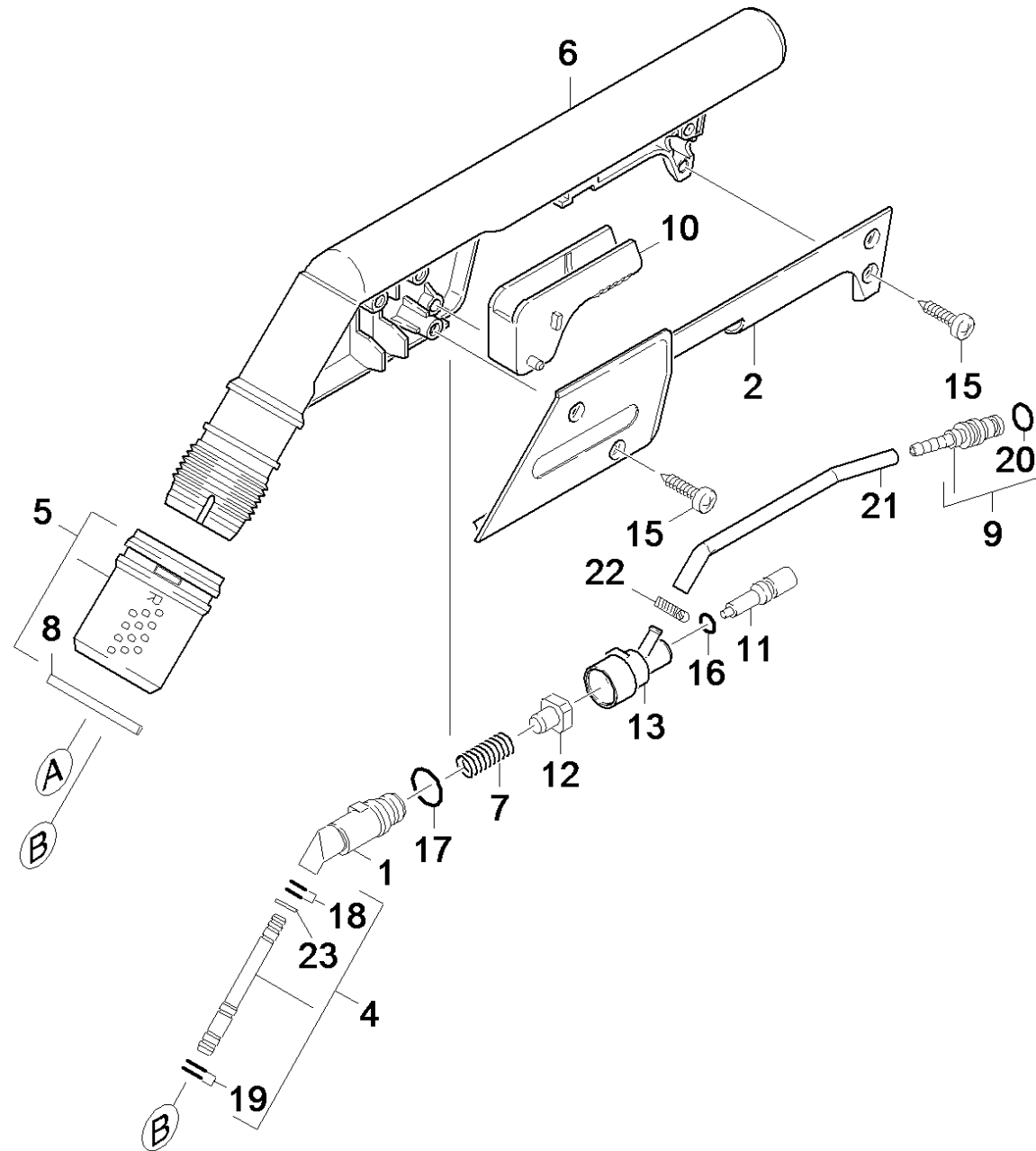


1 Handhold complete (4.321-101.0)

Professional \ Spray extraction \ PUZZI 100 *EU \ Spare parts list PUZZI 100 \ Floor tool complete \ Floor tool \ Handhold complete



1 Handhold complete (4.321-101.0)

Professional \ Spray extraction \ PUZZI 100 *EU \ Spare parts list PUZZI 100 \ Floor tool complete \ Floor tool \ Handhold complete

KÄRCHER

POS	Article no.	Description	Quantity	Unit
1	5.030-670.0	Moulded part	1	PC
2	5.031-038.0	Moulded part	1	PC
4	4.127-009.0	Extension	1	PC
5	4.310-010.0	Nut right hand thread	1	PC
6	5.321-569.0	Handhold	1	PC
7	5.332-082.0	Helical spring	1	PC
8	5.343-014.0	Locking ring	1	PC
9	4.443-019.0	Hose stem	1	PC
10	5.481-157.0	Lever	1	PC
11	5.584-033.0	Valve pin	1	PC
12	5.584-034.0	Valve pin	1	PC
13	5.587-139.0	Valve housing	1	PC
15	7.303-116.0	Screw 4x12-A2-70 (IN6RD)	4	PC
16	6.362-401.0	O-Ring seal 3,1 X 1,6	1	PC
17	6.362-402.0	O-Ring seal 11,0 X 1,3-NBR 70	1	PC
18	6.362-761.0	O-Ring seal 4,0 X 1,2	2	PC
19	6.362-472.0	O-Ring seal 6,0 X 1,0-NBR 70	2	PC
20	2.889-246.0	O-Ring seal set 6,75X 1,78	1	PC
21	6.390-237.0	Hose PU DN 6x1	1	ZST
22	6.390-257.0	Hose clip	2	PC
23	7.343-201.0	Lock washer 6-FST-PHR DIN 6799	1	PC