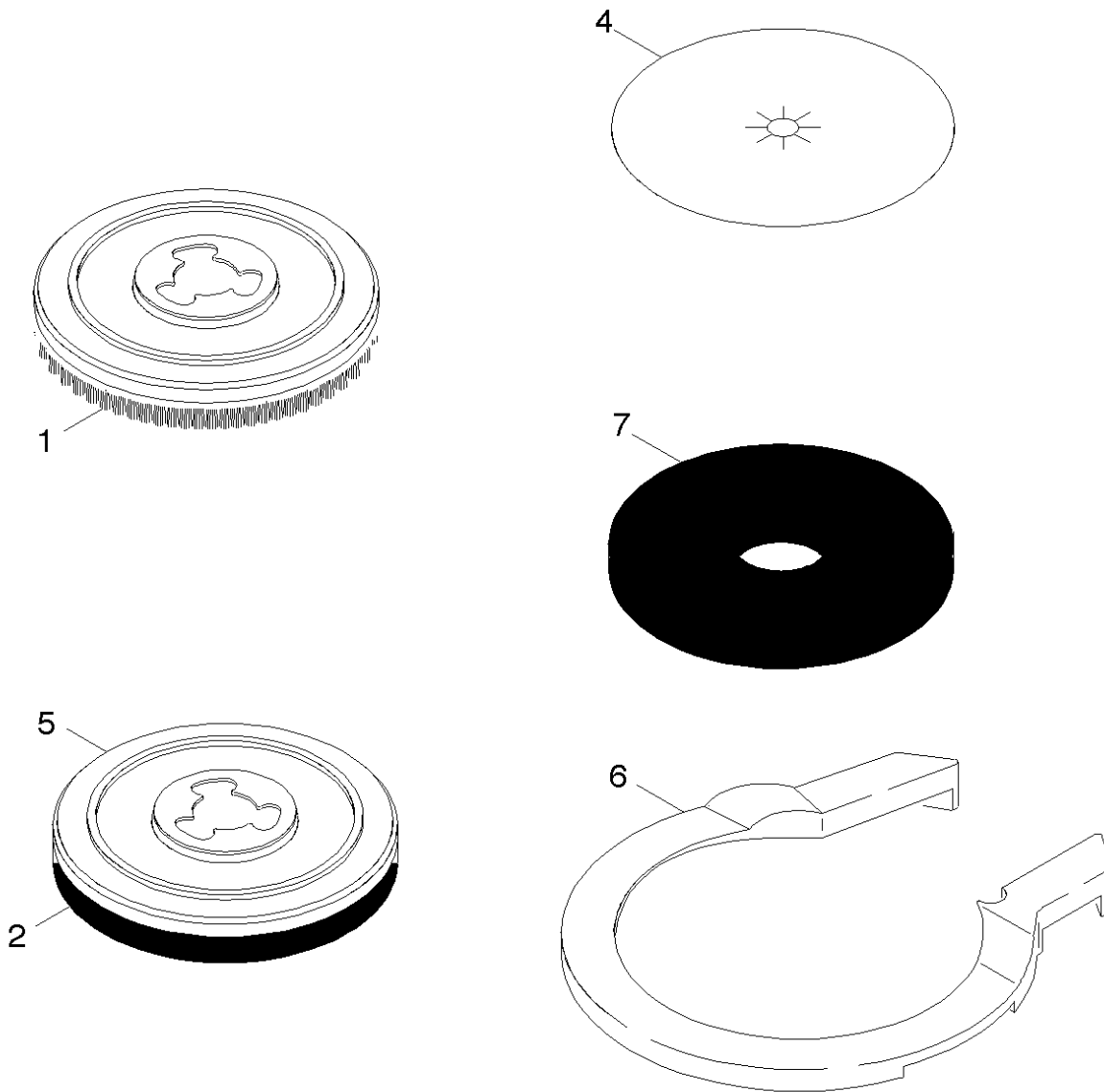


31 Pads

Professional \ Floor cleaner \ Single disc machines \ BDP 43/410 C *EU \ Spare parts list BDS43/150C,410C \ Accessories \ Pads



31 Pads

Professional \ Floor cleaner \ Single disc machines \ BDP 43/410 C *EU \ Spare parts list BDS43/150C,410C \ Accessories \ Pads

KÄRCHER

POS	Article no.	Description	Quantity	Unit	Foot note text
2	6.369-469.0	Polishing pad white	1	ZSA	
	Item text1: 1.291-204.0 / -216.0				
2	6.369-470.0	Pad red 432 mm (5 pcs kit)	1	ZSA	
2	6.369-471.0	Pad blue	1	ZSA	
	Item text1: 1.291-202.0 / -214.0 / -215.0 / -218.0				
2	6.369-472.0	Pad green 432 mm (5 pcs kit)	1	ZSA	
	Item text1: 1.291-202.0 / -214.0 / -215.0 / -218.0				
2	6.369-473.0	Pad black	1	ZSA	
	Item text1: 1.291-202.0 / -214.0 / -215.0 / -218.0				
1	6.369-895.0	Disc brush middle red 430 mm	1	PC	
	Item text1: 1.291-202.0 / -214.0 / -215.0 / -218.0				
1	6.369-896.0	Shampoo brush blue/white 430 mm	1	PC	
	Item text1: 1.291-202.0 / -214.0 / -215.0 / -218.0				
1	6.369-897.0	Disc brush soft nature 430 mm	1	PC	
	Item text1: 1.291-204.0 / -216.0				
1	6.369-898.0	Disc brush hard black 430 mm	1	PC	
	Item text1: 1.291-202.0 / -214.0 / -215.0 / -218.0				
5	6.369-899.0	Disk LOW SPEED 420	1	PC	
	Item text1: 1.291-202.0 / -214.0 / -215.0 / -218.0				
5	6.369-900.0	Disk HIGH SPEED	1	PC	
	Item text1: 1.291-204.0 / -216.0				
5	6.369-901.0	Disk DUO SPEED	1	PC	
5	6.369-902.0	Disk grinding	1	PC	
	Item text1: 1.291-202.0 / -214.0 / -215.0				
6	6.369-910.0	Additional weight 10KG	1	PC	
5	6.369-934.0	Grinding disk screed BDS 43/150 C	1	PC	
	Item text1: 1.291-202.0 / -214.0 / -215.0				
2	6.370-138.0	Polishing pad beige	1	ZSA	
	Item text1: 1.291-204.0 / -216.0				
7	6.371-238.0	Diamond pad green set 5x Ø432	1	PC	GREEN
	Item text1: 1.291-202.0/ -203.0 / -207.0 / -214.0				
	Item text2: / -215.0/ -218.0				
7	6.371-256.0	Diamond pad white set 5x Ø432	1	PC	WHITE

31 Pads

Professional \ Floor cleaner \ Single disc machines \ BDP 43/410 C *EU \ Spare parts list BDS43/150C,410C \ Accessories \ Pads

POS	Article no.	Description	Quantity	Unit	Foot note text
	Item text1: 1.291-202.0 / -203.0 / -207.0				
7	6.371-257.0	Diamond pad yellow set 5x Ø432	1	PC	YELLOW
	Item text1: 1.291-202.0 / -203.0 / -207.0				
2	6.371-257.0	Diamond pad yellow set 5x Ø432	1	PC	
	Item text1: 1.291-202.0 / -214.0 / -215.0 / -218.0				
2	6.905-526.0	Pad micro-fibre	1	ZSA	
	Item text1: 1.291-202.0 / -214.0 / -215.0				
4	6.990-007.0	Grinding wheel	1	ZSA	
	Item text1: 1.291-202.0 / -214.0 / -215.0				
4	6.990-008.0	Grinding wheel	1	ZSA	
	Item text1: 1.291-202.0 / -214.0 / -215.0				
4	6.990-009.0	Grinding wheel	1	ZSA	
	Item text1: 1.291-202.0 / -214.0 / -215.0				