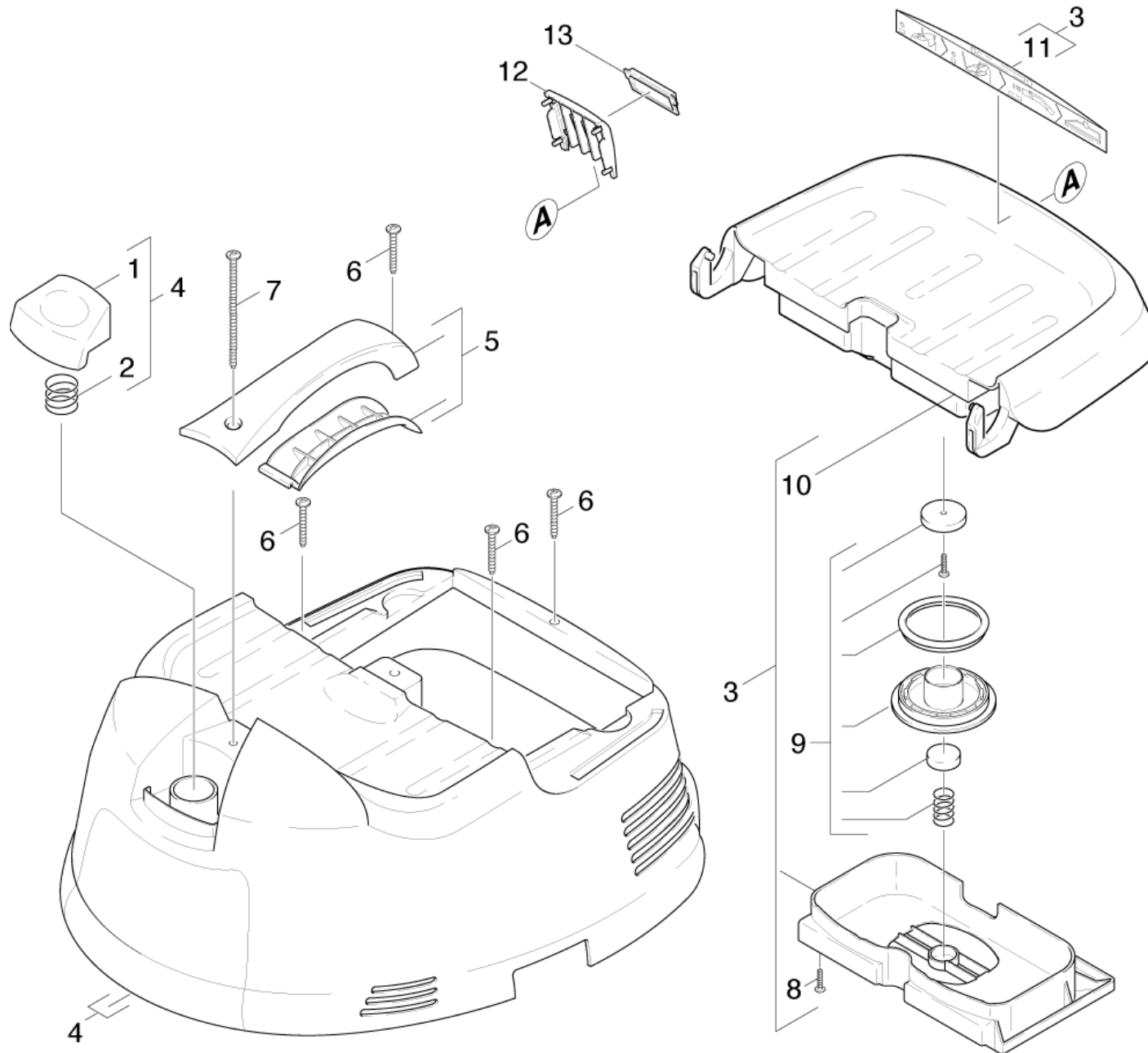


# 10 Cover individual parts

Professional \ Vacuum cleaner \ Wet-/dry vacuum cleaner \ NT 65/2 Eco Tc \*EU \ Spare parts list NT 65/2 Eco Tc \ Cover individual parts



## 10 Cover individual parts

Professional \ Vacuum cleaner \ Wet-/dry vacuum cleaner \ NT 65/2 Eco Tc \*EU \ Spare parts list NT 65/2 Eco Tc \ Cover individual parts

**KÄRCHER**

POS	Article no.	Description	Quantity	Unit
12	5.064-017.0	Cover backwashing	1.000	ST
4	4.066-321.0	Cover complete NT 65/2 Eco	1.000	ST
10	5.063-997.0	Cover filter	1.000	ST
3	4.063-729.0	FILTER COVER kpl.	1.000	ST
5	4.321-150.0	Handhold complete	1.000	ST
11	5.384-885.0	Label	1.000	ST
1	5.324-057.0	Pushbutton	1.000	ST
8	7.303-086.0	Screw 5x30 -10.9-R2R (K-In6Rd)	5.000	ST
6	7.303-154.0	Screw 5x50 -A2-70 (In6Rd)	4.000	ST
7	7.303-155.0	Screw 5x100-A2-70 (IN6RD)	1.000	ST
13	5.032-303.0	Slider	1.000	ST
9	2.889-072.0	Spare part set PFC NT 65/2 Eco	1.000	ST
2	5.332-490.0	Spring pushbutton	1.000	ST