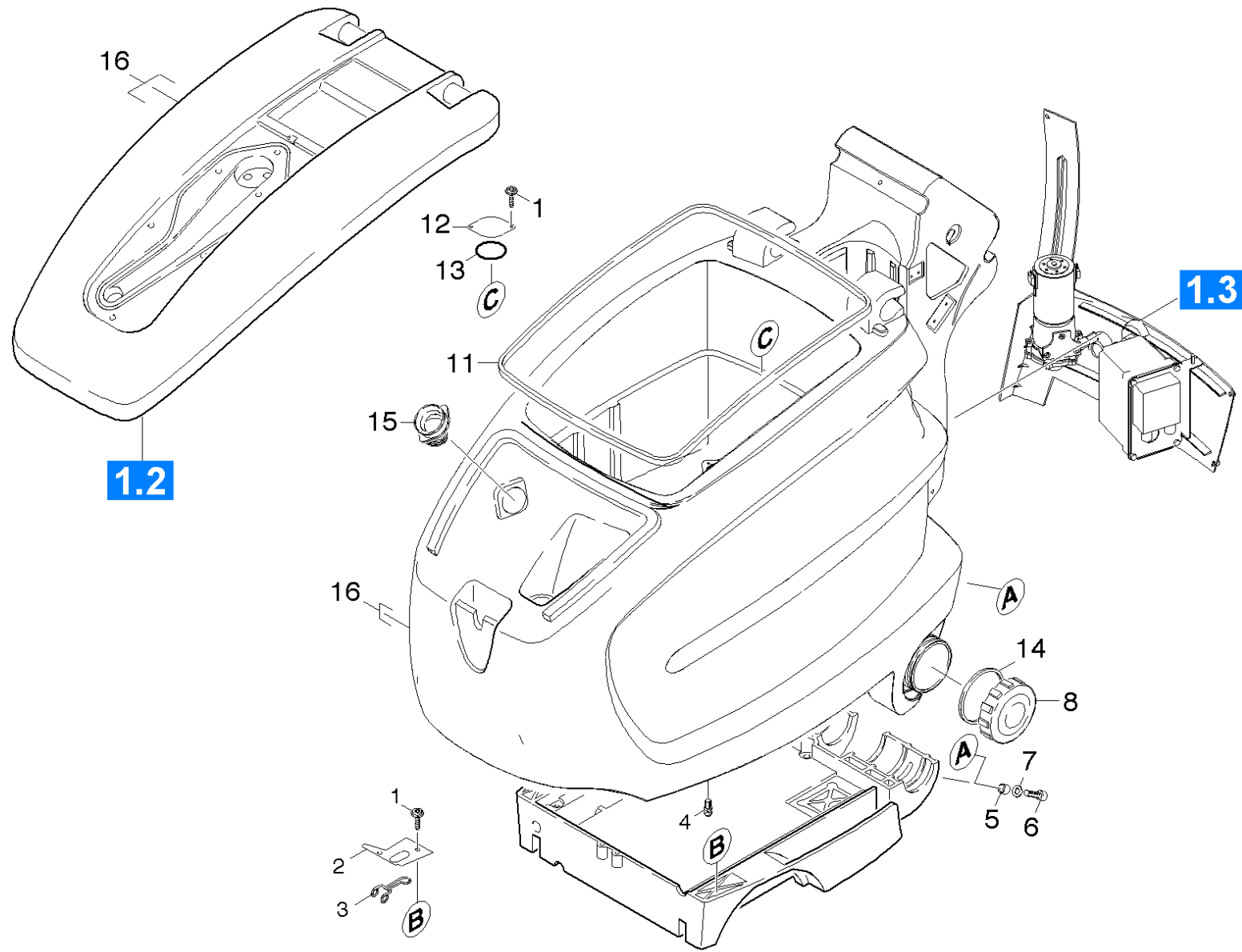


# 11 Individual parts

Professional \ Floor cleaner \ Walk behind \ BR 55/60 W BP DOSE \ Spare parts list BR/BD 55/60 DOSE \ Tank \ Individual parts



## 11 Individual parts

Professional \ Floor cleaner \ Walk behind \ BR 55/60 W BP DOSE \ Spare parts list BR/BD 55/60 DOSE \ Tank \ Individual parts

**KÄRCHER**

POS	Article no.	Description	Quantity	Unit	Foot note text
4	5.317-091.0	Bolt	1.000	ST	
8	6.392-120.0	Cap of a tank	1.000	ST	
9	5.069-010.0	Covering cap	1.000	ST	
6	7.304-801.0	Hexagonal head screw M10x25-A4-70 ISO 4	2.000	ST	
15	5.363-547.0	Joint ring	1.000	ST	
13	6.362-631.0	O-Ring seal 58,0 X 2,5	1.000	ST	
2	5.007-675.0	Plate	1.000	ST	
12	5.001-888.0	Plate 328	1.000	ST	
3	5.034-688.0	Retaining bracket closure tank	1.000	ST	
1	7.303-107.0	Screw 5x16 -10.9-P2R (K-In6Rd)	10.000	ST	
14	6.363-214.0	Seal	1.000	ST	
11	6.366-043.0	Sealing profile	1.000	M	ALS METERWARE BESTELLEN
5	5.110-944.0	Sleeve frame tank	2.000	ST	
16	4.071-168.0	Tank complete with cover	1.000	ST	
7	7.312-290.0	Washer 10-A2 ISO 7093-1	2.000	ST	