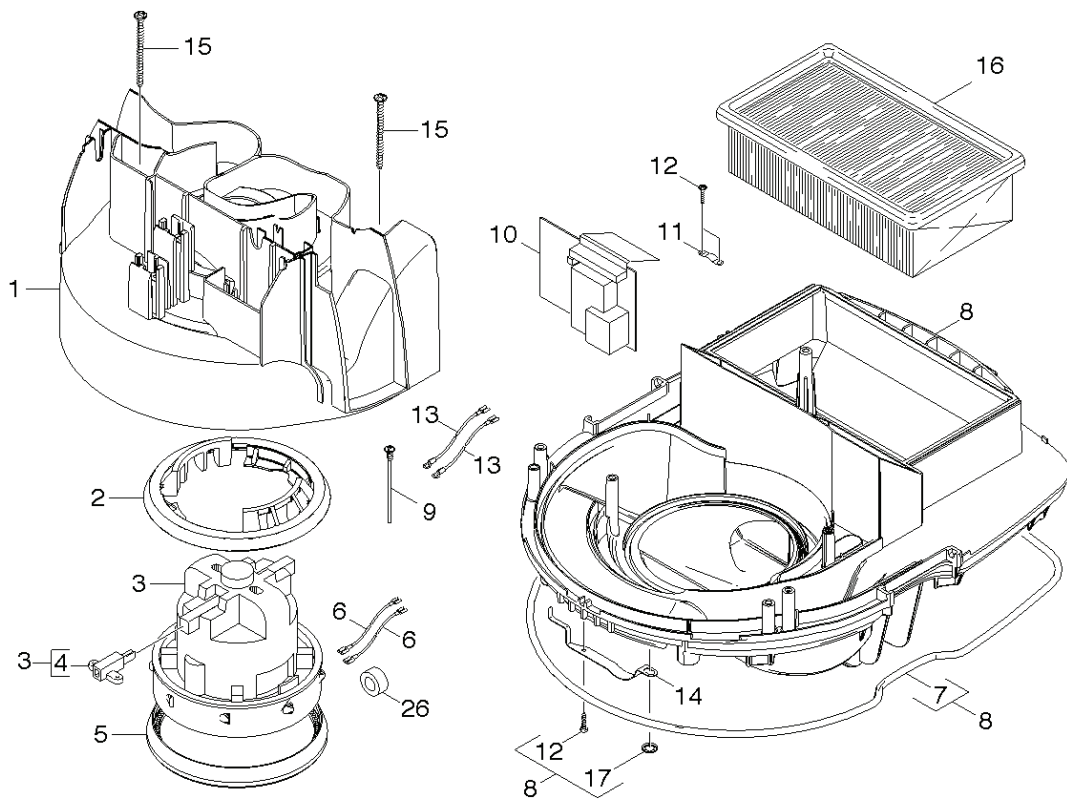


## 20 Turbine

Professional \ Vacuum cleaner \ Wet-/dry vacuum cleaner \ Boelis NT 45/1 Tact Te \*EU \ Spare parts list NT 45/1 Tact Te \*EU \ Turbine

**KÄRCHER**



## 20 Turbine

Professional \ Vacuum cleaner \ Wet-/dry vacuum cleaner \ Boels NT 45/1 Tact Te \*EU \ Spare parts list NT 45/1 Tact Te \*EU \ Turbine

**KÄRCHER**

POS	Article no.	Description	Quantity	Unit
13	6.649-314.0	Cable probe light blue 0,5mm²x610mm	2.000	ST
6	6.649-809.0	Cable turbine	2.000	ST
4	6.610-285.0	Carbon brush set	1.000	ST
10	4.682-005.0	Circuit board packaged only for replacem	1.000	ST
11	6.903-241.0	Clamp clip	1.000	ST
7	6.273-192.0	Cord cellular rubber D6	1.000	ST
26	6.346-043.0	Ferrite ring	1.000	ST
16	6.904-367.0	Flat filter only for replacement Kaerche	1.000	ST
8	4.060-772.0	Housing complete only for replacement Ec	1.000	ST
1	4.605-088.0	Housing vacuum motor only for replacemen	1.000	ST
9	5.107-270.0	Probe	2.000	ST
17	6.343-169.0	Quick-fastener	1.000	ST
12	7.303-129.0	Screw 4x16 -10.9-R2R (K-In6Rd)	3.000	ST
15	7.303-086.0	Screw 5x30 -10.9-R2R (K-In6Rd)	2.000	ST
2	5.363-664.0	Seal vacuum motor above	1.000	ST
5	5.363-665.0	Seal vacuum motor bottom	1.000	ST
14	5.332-967.0	Spring electrically conducting	1.000	ST
3	6.490-215.0	Vacuum motor 230V	1.000	ST