

Table of contents

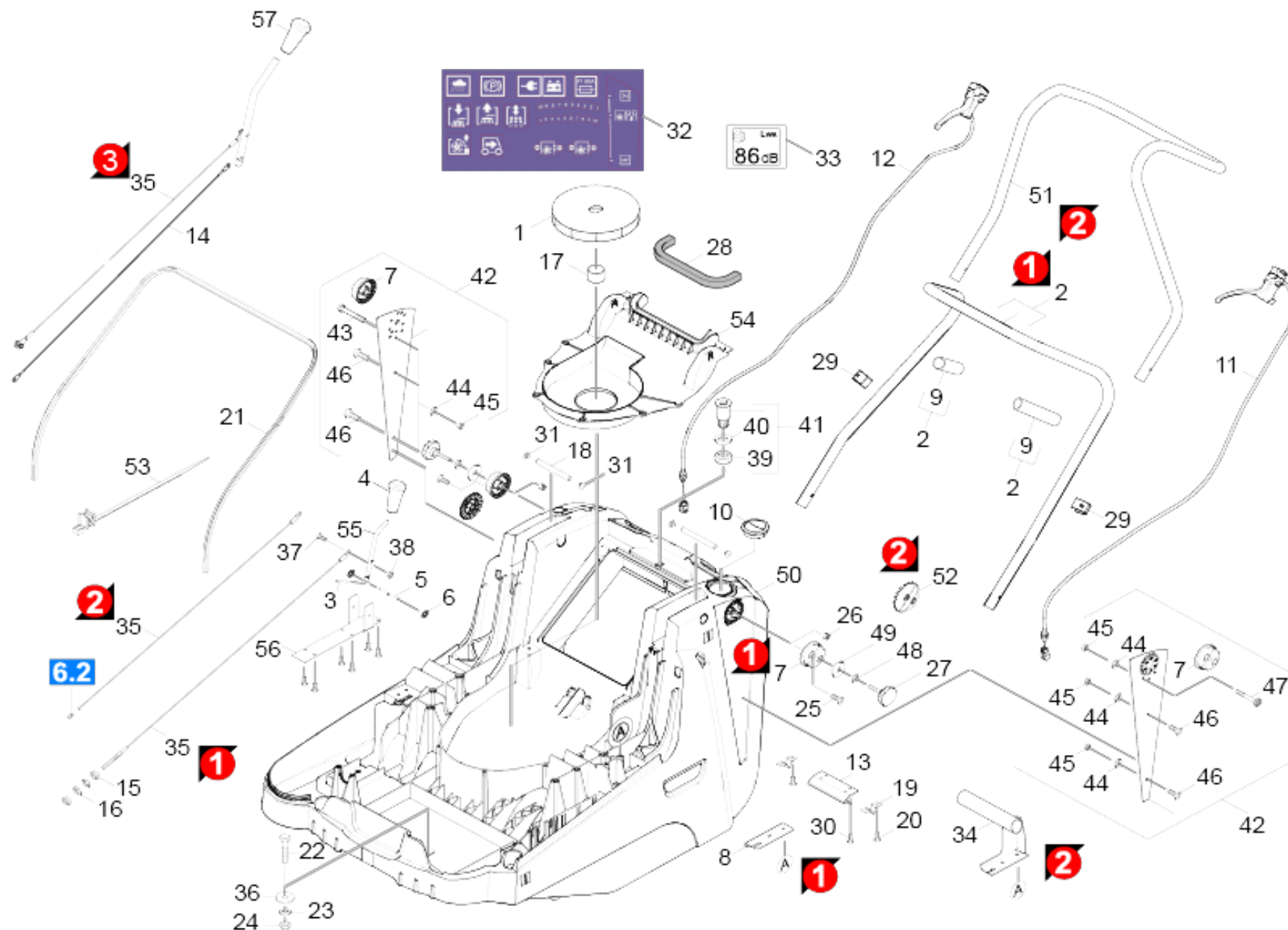
10 KM 75/40 W G (1.049-205.0)	2
160 Spare parts list KM 75/450 Benzin (5.971-215.0)	3
10 Basic machinery	4
35 Set tackle (2.885-722.0)	8
20 Sweep tank	10
30 Sweep roller chest	12
1 Bulk waste flap complete (4.040-633.0)	15
9 Bearing flange shaft complete (4.253-001.0)	17
17 Belt stretcher gear (4.040-699.0)	19
23 Belt stretcher reversing rolling mill (4.040-698.0)	21
40 Transmission completely	23
11 Gear transmission for replacement (2.852-236.0)	26
10 Gear transmission complete 0007-00-00-02	27
11 Gear transmission cpl. (2.852-824.0)	29
50 Motor	31
51 Motor	32
4 Conversion kit Umstellung auf GCV-160	35
60 Side broom	37
61 Side broom	38
62 Side broom	40
10 Assembly group side broom for replacemen (2.852-237.0)	42
10 Assembly group side broom 0008-00-00-01	43
10 Assembly group side broom (2.852-823.0)	45
70 Filter box	47
1 Filter vibrator complete (4.040-643.0)	49
80 Operating unit gasoline	51
90 ABS carpet sweep unit	53
100 ABS filter vibrator double (2.851-040.0)	54

10 KM 75/40 W G (1.049-205.0)

POS	Article no.	Description	Quantity	Unit
160	5.971-215.0	Spare parts list KM 75/450 Benzin	1	PC

160 Spare parts list KM 75/450 Benzin (5.971-215.0)

POS	Article no.	Description	Quantity	Unit	Remark
10		Basic machinery	1	PC	
20		Sweep tank	1	PC	
30		Sweep roller chest	1	PC	
40		Transmission completely	1	PC	
50		Motor	1	PC	1.049-200 BENZIN
60		Side broom	1	PC	
70		Filter box	1	PC	
80		Operating unit gasoline	1	PC	1.049-200 BENZIN
90		ABS carpet sweep unit	1	PC	1.049-201/-202
100	2.851-040.0	ABS filter vibrator double	1	PC	



10 Basic machinery

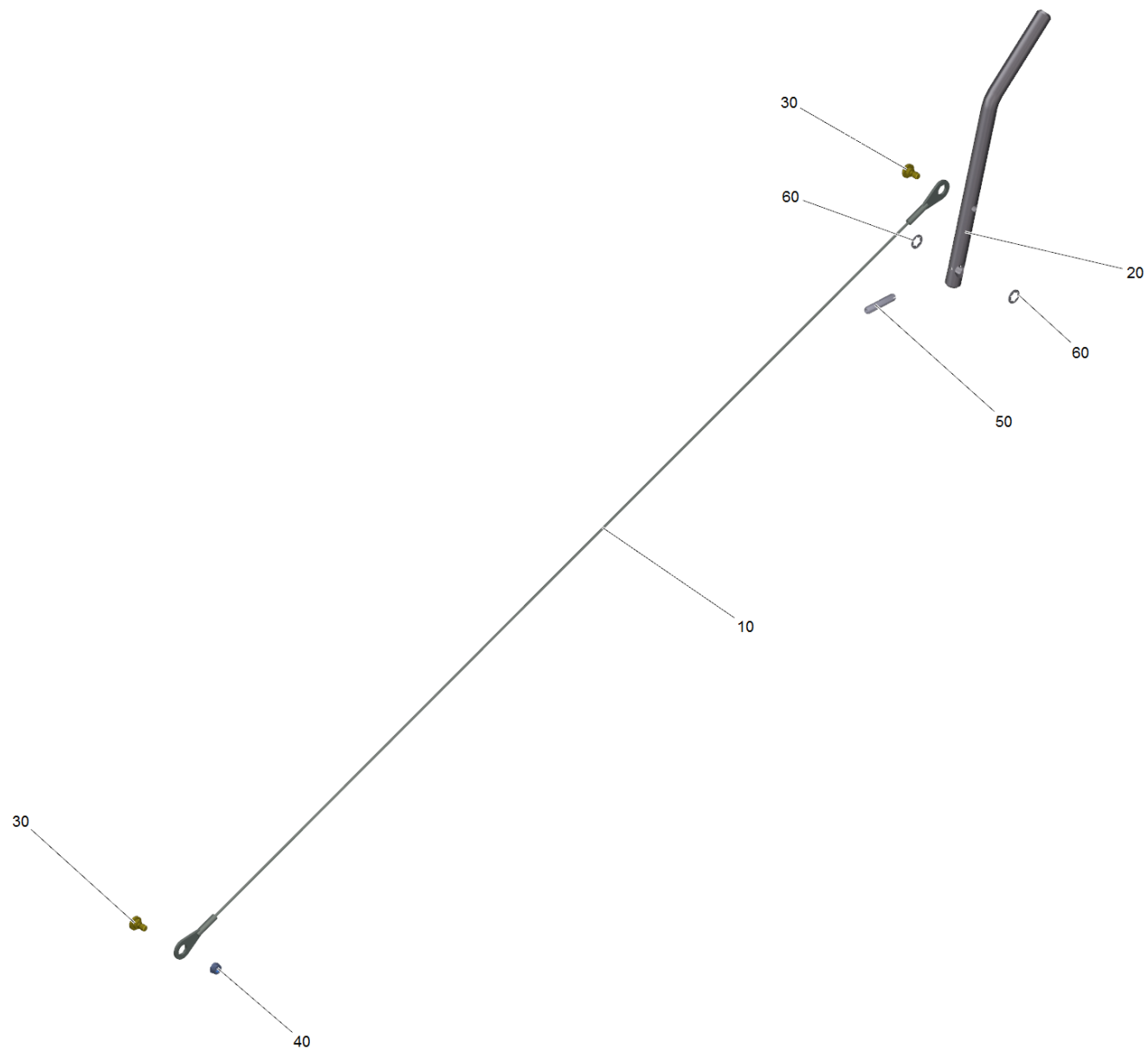
POS	Article no.	Description	Quantity	Unit	valid from	valid until	Remark
1	5.600-086.0	Blower wheel	1	PC			
2	5.034-797.0	Shearing shackle	1	PC			Version 1
3	7.314-953.0	Spring pin 2,5x12-St ISO 8752	1	PC			
4	5.321-606.0	Hand grip	1	PC			
5	5.317-221.0	Bolt adjustment side broom	1	PC			
6	6.343-119.0	Lock washer	2	PC			
7	5.093-324.0	Fixing retaining bracket	2	PC			Version 1
8	5.009-337.0	Plate bowden wire gear	1	PC			Version 1
9	6.390-269.0	Hose	1	m			
10	6.415-896.0	Air flap	1	PC			
11	6.431-258.0	Bowden wire gear	1	PC			
12	6.431-257.0	Bowden wire bulk waste flap	1	PC			
13	5.009-485.0	Plate frame retainer	1	PC			
14	6.431-103.0	Tackle side broom	1	PC	16935		
15	7.311-004.0	Hexagon nut M8 -8-A3E ISO 4032	2	PC			
16	7.311-003.0	Hexagon nut M6 -8-A2E ISO 4032	2	PC			
17	5.116-337.0	Sleeve blower wheel	1	PC			
18	5.116-319.0	Sleeve cover	2	PC			
19	6.330-149.0	Spring	2	PC			
20	7.303-106.0	Screw 4x12 -10.9-R2R (In6RD)	4	PC			
21	6.365-511.0	Sealing profile	2	m			
22	7.304-172.0	Hexagonal head screw M8x55 -8.8-GE3A/VL	4	PC			
23	7.313-004.0	Spring washer B 8-FSt-A3E DIN 127	4	PC			
24	6.310-150.0	Hexagon nut self-locking M8	4	PC			
25	7.303-108.0	Screw 5x20 -10.9-R2R (In6Rd)	4	PC			
26	7.311-570.0	Square nut M8 -05-A2E DIN 557	2	PC			
27	6.321-179.0	Star grip	2	PC			
27	6.321-290.0	Star grip black	1	PC			1.049-215.0 Boels
28	6.273-271.0	Cellular rubber profile	1	m			

10 Basic machinery

POS	Article no.	Description	Quantity	Unit	valid from	valid until	Remark
29	5.839-408.0	Cable clip	2	PC			
30	7.303-112.0	Screw 6x20 -10.9-R2R (In6Rd)	21	PC			
31	6.385-935.0	Plug	4	PC			
32	5.392-928.0	Adhesive label safety instructions KM 75	1	PC			
33	5.384-662.0	Label 86 dB	1	PC			
34	4.040-749.0	Exhaust complete	1	PC			Version 2
35	2.885-722.0	Set tackle	1	PC		16935	Version 3
36	7.312-277.0	Washer 8-200HV-A2E ISO7093-1	4	PC			
37	7.306-078.0	Screw M5x20 -8.8-R2R (In6Rd)	1	PC			Version 1
38	7.311-421.0	Hexagon nut M 5-04-A2E DIN 985	1	PC			Version 1
39	7.311-006.0	Hexagon nut M10 -8-A3E ISO 4032	1	PC			
40	7.312-005.0	Washer 10-200HV-A3E ISO 7089	1	PC			
41	2.641-968.0	Conversion kit insert screw connector	1	PC			
42	2.641-965.0	Conversion kit shearing shackle KM 75/40	1	PC			
43	7.306-084.0	Screw M 5x40-ST- 8.8-A2R (IN6RD)	1	PC			
44	7.312-264.0	Washer 5-100HV-A3E ISO 7094	7	PC			
45	7.311-421.0	Hexagon nut M 5-04-A2E DIN 985	7	PC			
46	7.306-078.0	Screw M5x20 -8.8-R2R (In6Rd)	8	PC			
47	7.306-187.0	Screw M5x50 -A2-70 (In6Rd)	2	PC			
48	7.313-004.0	Spring washer B 8-FSt-A3E DIN 127	2	PC			
49	7.312-277.0	Washer 8-200HV-A2E ISO7093-1	2	PC			
50	5.050-354.0	Frame	1	PC			
51	5.034-936.0	Shearing shackle	1	PC			Version 2
52	5.093-413.0	Fixing retaining bracket II	2	PC			Version 2
53	6.649-490.0	Cable tape	2	PC			

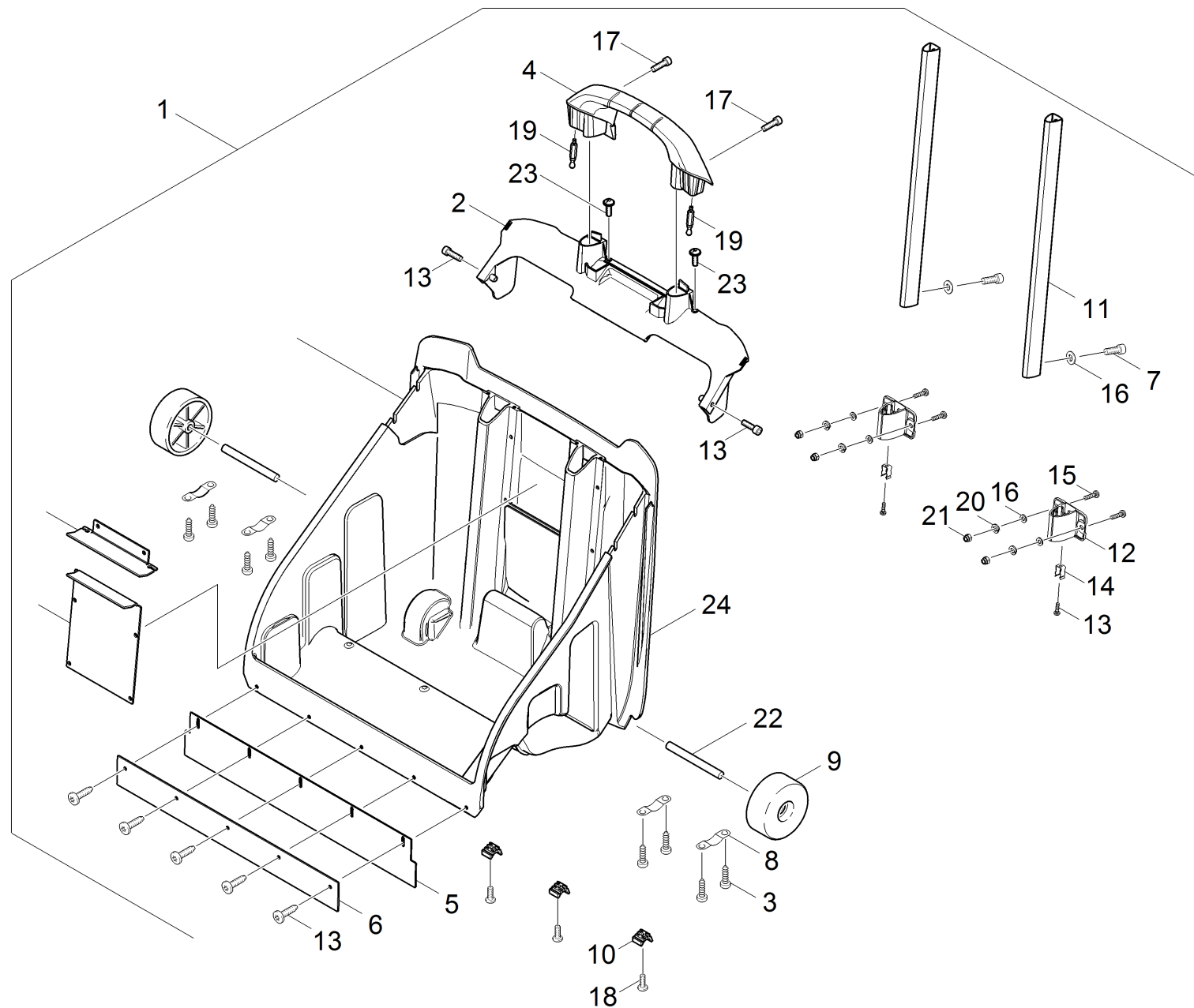
10 Basic machinery

POS	Article no.	Description	Quantity	Unit	valid from	valid until	Remark
54	5.064-248.0	Cover canal aspiration	1	PC			
55	5.481-391.0	Lever adjustment side broom	1	PC			
56	5.094-291.0	Plate bearing lever	1	PC			
57	6.321-139.0	Handhold	1	PC			



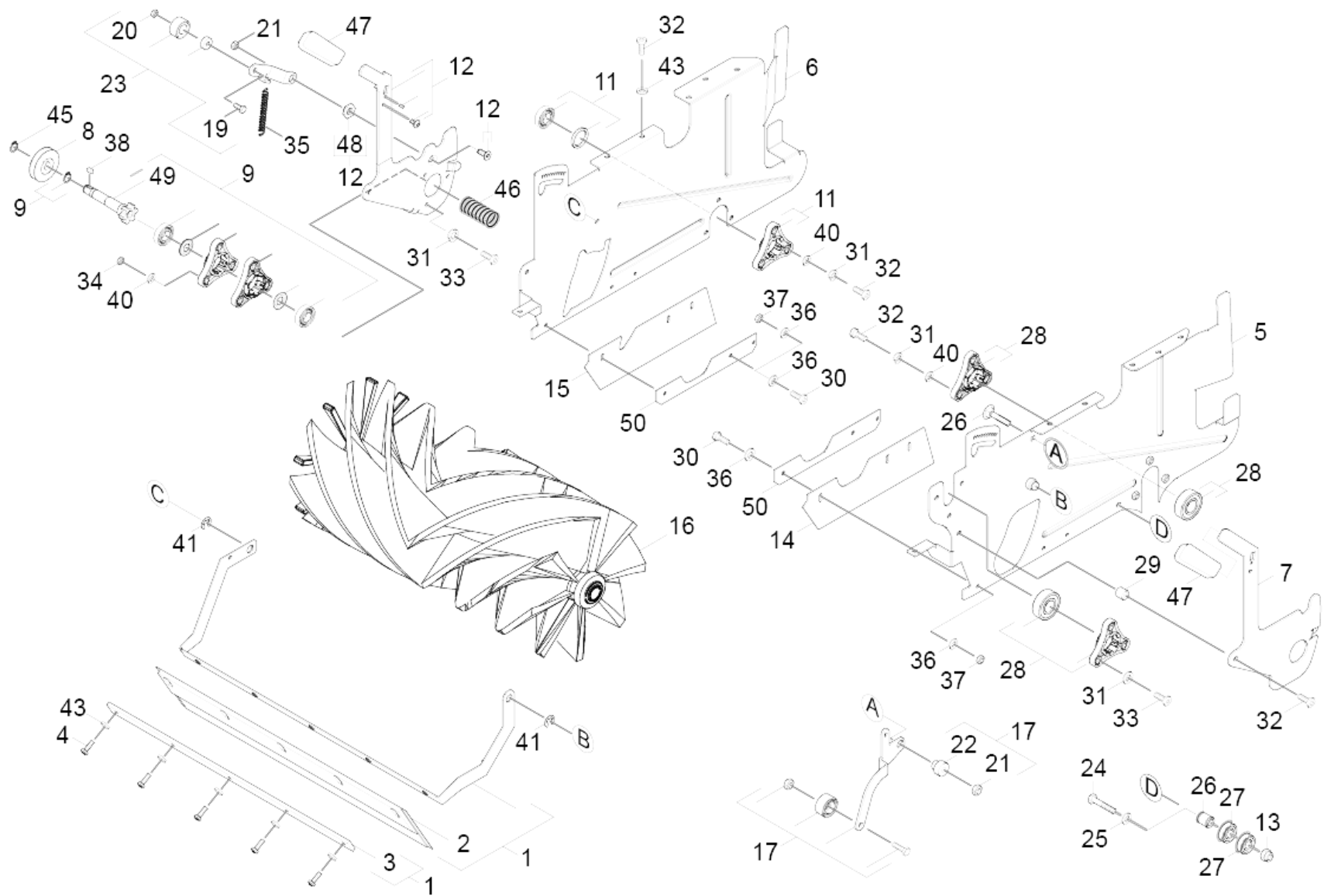
35 Set tackle (2.885-722.0)

POS	Article no.	Description	Quantity	Unit
10	6.431-103.0	Tackle side broom	1	PC
20	5.481-391.0	Lever adjustment side broom	1	PC
30	6.303-160.0	Pan head screw M5x2,5x12	2	PC
40	7.311-421.0	Hexagon nut M 5-04-A2E DIN 985	1	PC
50	7.314-953.0	Spring pin 2,5x12-St ISO 8752	1	PC
60	6.343-119.0	Lock washer	2	PC



20 Sweep tank

POS	Article no.	Description	Quantity	Unit	Remark
1	2.850-818.0	Sweep tank complete	1	PC	
2	5.064-251.0	Reinforcement sweep tank	1	PC	
3	7.303-106.0	Screw 4x12 -10.9-R2R (In6RD)	10	PC	
4	5.322-020.0	Trolley handhold	1	PC	
5	5.394-816.0	Skirting rear	1	PC	
6	5.009-264.0	Plate skirting rear	1	PC	
7	6.303-158.0	Self-tapping screw cylinder head M6x12	2	PC	
8	6.903-241.0	Clamp clip	4	PC	
9	5.515-068.0	Wheel	2	PC	
10	5.031-157.0	Slide part sweep tank KSM 750	3	PC	
11	5.107-285.0	Bar sweep tank	2	PC	
12	5.064-250.0	Guide Trolley	2	PC	
13	7.303-112.0	Screw 6x20 -10.9-R2R (In6Rd)	9	PC	1.049-200 <10159, /-201 <10019, /-202 <10075
14	6.330-407.0	Spring clip	2	PC	
15	7.306-094.0	Screw M6x25 -8.8-R3R (In6Rd)	4	PC	
16	7.312-003.0	Washer 6 -200HV-A3E ISO 7089	8	PC	
17	7.303-046.0	Screw M6x12 -St-R3R (In6Rd)	2	PC	
18	6.303-057.0	Countersunk screw 5,0X 16-ST-A2R	3	PC	
19	5.108-197.0	Locking plug long	2	PC	
20	7.312-305.0	Spring washer B 6-FST-A2E DIN 137	4	PC	
21	7.311-512.0	Hexagon nut M 6-8-A2E ISO 7040	4	PC	
22	5.317-063.0	Bolt	2	PC	
23	7.303-107.0	Screw 5x16 -10.9-P2R (K-In6Rd)	4	PC	
24	5.070-748.0	Sweep tank	1	PC	

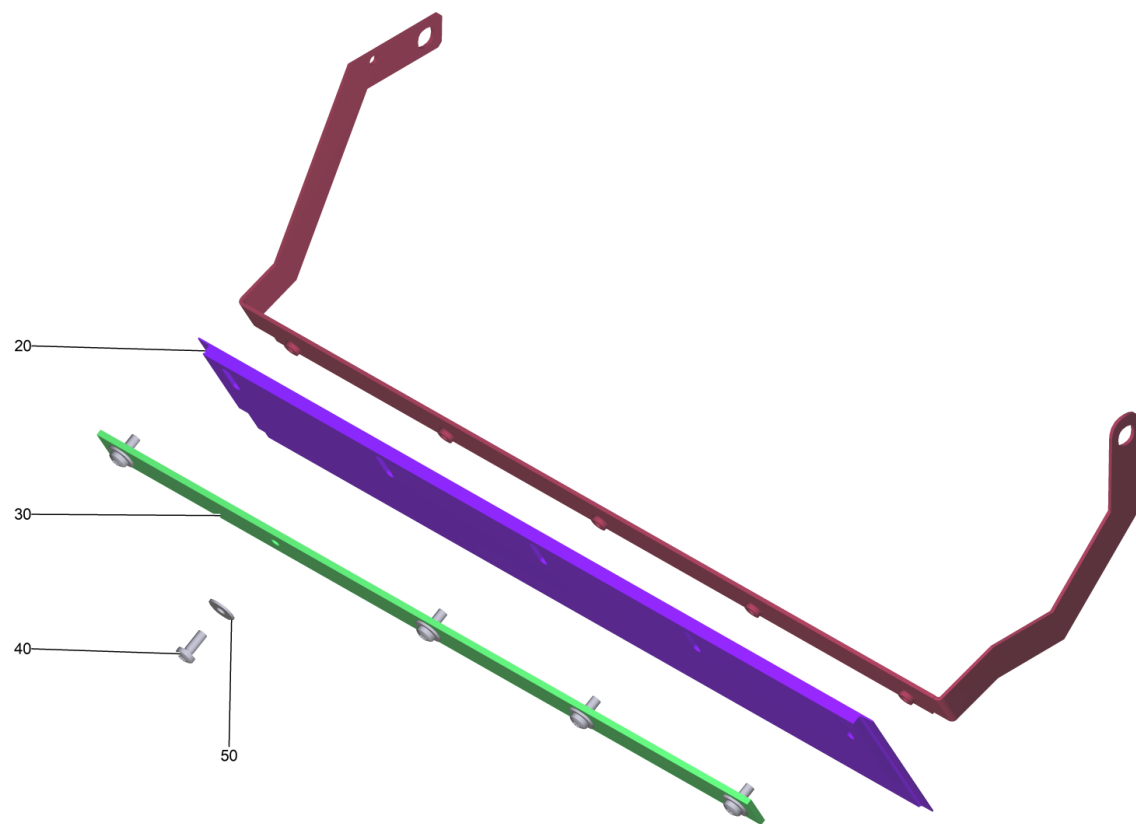


30 Sweep roller chest

POS	Article no.	Description	Quantity	Unit
1	4.040-633.0	Bulk waste flap complete	1	PC
2	5.394-815.0	Skirting front	1	PC
3	5.009-265.0	Plate skirting front	1	PC
4	7.306-090.0	Screw M6x16 -8.8-P2R (In6Rd)	5	PC
5	4.040-689.0	Side plate left complete	1	PC
6	4.040-688.0	Side plate right complete	1	PC
7	4.040-861.0	Lever left completely	1	PC
8	5.625-480.0	Belt pulley D 56,5	1	PC
9	4.253-001.0	Bearing flange shaft complete	5	PC
10	6.401-331.0	Ball bearing	1	PC
11	4.253-002.0	Bearing flange complete D 17	1	PC
12	4.040-971.0	Lever right completely	1	PC
13	7.311-512.0	Hexagon nut M 6-8-A2E ISO 7040	1	PC
14	5.394-817.0	Skirting side left	1	PC
15	5.394-818.0	Skirting side right	1	PC
16	6.906-884.0	Reversing rolling mill standard	1	PC
16	6.906-885.0	Reversing rolling mill hard	1	PC
16	6.906-886.0	Reversing rolling mill soft	1	PC
16	6.906-950.0	Reversing rolling mill antistatic	1	PC
17	4.040-699.0	Belt stretcher gear	1	PC
19	7.304-399.0	Hexagonal head screw M 8x25-8.8-A2E ISO	1	PC
20	7.311-427.0	Hexagon nut M8 -04-A2E DIN 985	1	PC
21	7.311-060.0	Hexagon nut M 8 -A2-70 EN 1661	1	PC
22	5.116-336.0	Sleeve belt stretcher	1	PC
23	4.040-698.0	Belt stretcher reversing rolling mill	1	PC
24	7.304-120.0	Hexagonal head screw M 6x35-A4-70 ISO 4	1	PC
25	7.312-045.0	Washer 6-200HV-P4E ISO 7089	1	PC
26	5.116-408.0	Sleeve	1	PC
27	7.401-047.0	Ball bearing 626-2RS -Wälzl.St. DIN 625	2	PC
28	4.253-003.0	Bearing flange complete D 15	1	PC
29	5.110-177.0	Sleeve	4	PC
30	7.306-079.0	Screw M5x25 -8.8-P2R (In6Rd)	6	PC
31	7.312-305.0	Spring washer B 6-FST-A2E DIN 137	16	PC

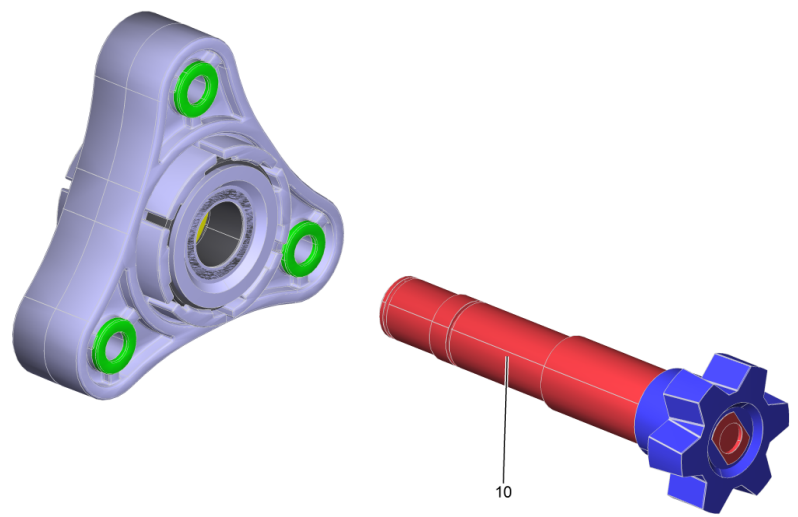
30 Sweep roller chest

POS	Article no.	Description	Quantity	Unit
32	7.306-092.0	Screw M6x20-ST- 8.8-R3R (IN6RD)	20	PC
33	7.306-105.0	Screw M6x30 -8.8-R3R (In6Rd)	6	PC
34	7.311-425.0	Hexagon nut M6 -04-A2E DIN 985	7	PC
35	6.330-103.0	Extension spring	1	PC
36	7.312-282.0	Washer 5 -A2 ISO 7093-1	12	PC
37	7.311-421.0	Hexagon nut M 5-04-A2E DIN 985	6	PC
38	7.318-084.0	Parallel key 5x5x12 -C45K DIN 6885-1	1	PC
40	7.312-045.0	Washer 6-200HV-P4E ISO 7089	18	PC
41	7.343-047.0	Lock washer 10-FST-A2E DIN 6799	2	PC
42	7.303-112.0	Screw 6x20 -10.9-R2R (In6Rd)	1	PC
43	7.312-276.0	Washer 6 -200HV-A2E ISO7093-1	6	PC
45	7.343-031.0	Locking ring 14x1-FST-PHR DIN 471	1	PC
46	5.332-114.0	Helical spring	1	PC
47	5.322-447.0	Hand grip Universal yellow RAL 1018	2	PC
48	5.116-439.0	Sleeve belt stretcher	1	PC
49	4.100-233.0	Driveshaft reversing rolling mill comple	1	PC
50	5.009-268.0	Plate skirting	2	PC



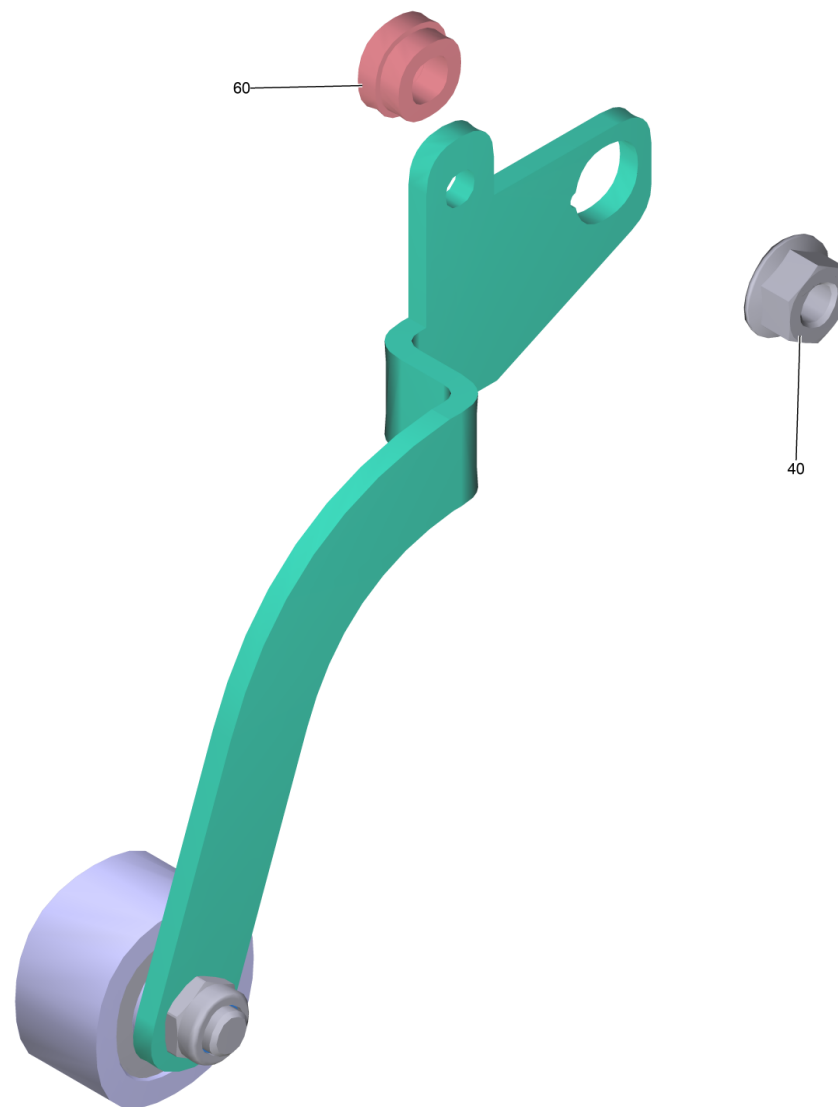
1 Bulk waste flap complete (4.040-633.0)

POS	Article no.	Description	Quantity	Unit
20	5.394-815.0	Skirting front	1	PC
30	5.009-265.0	Plate skirting front	1	PC
40	7.306-090.0	Screw M6x16 -8.8-P2R (In6Rd)	5	PC
50	7.312-276.0	Washer 6 -200HV-A2E ISO7093-1	5	PC



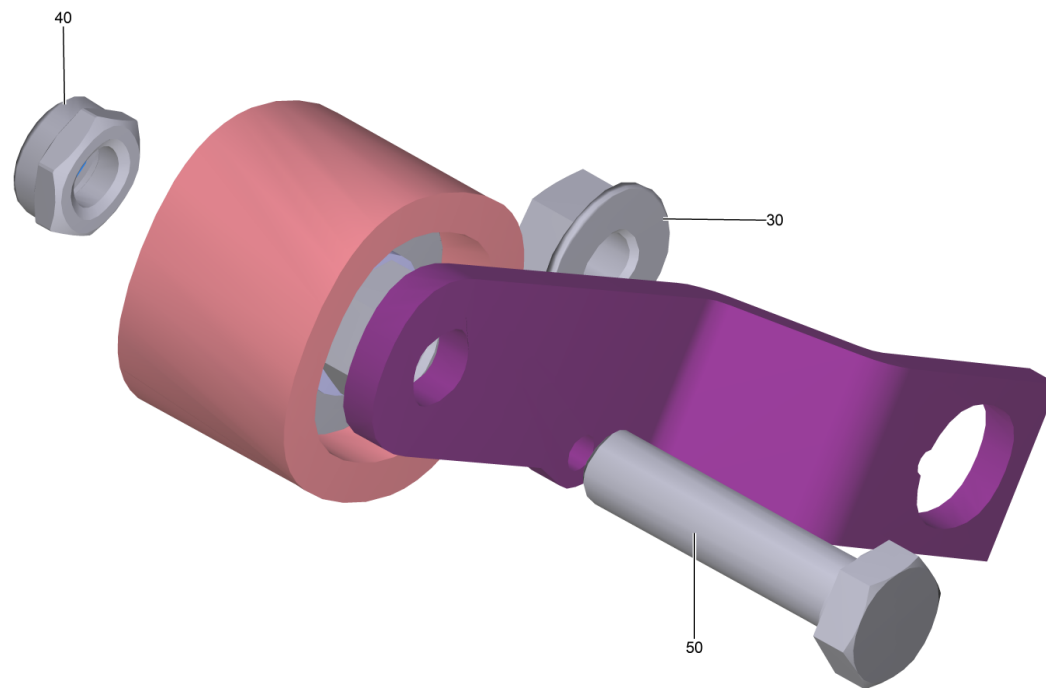
9 Bearing flange shaft complete (4.253-001.0)

POS	Article no.	Description	Quantity	Unit
10	4.100-233.0	Driveshaft reversing rolling mill comple	1	PC



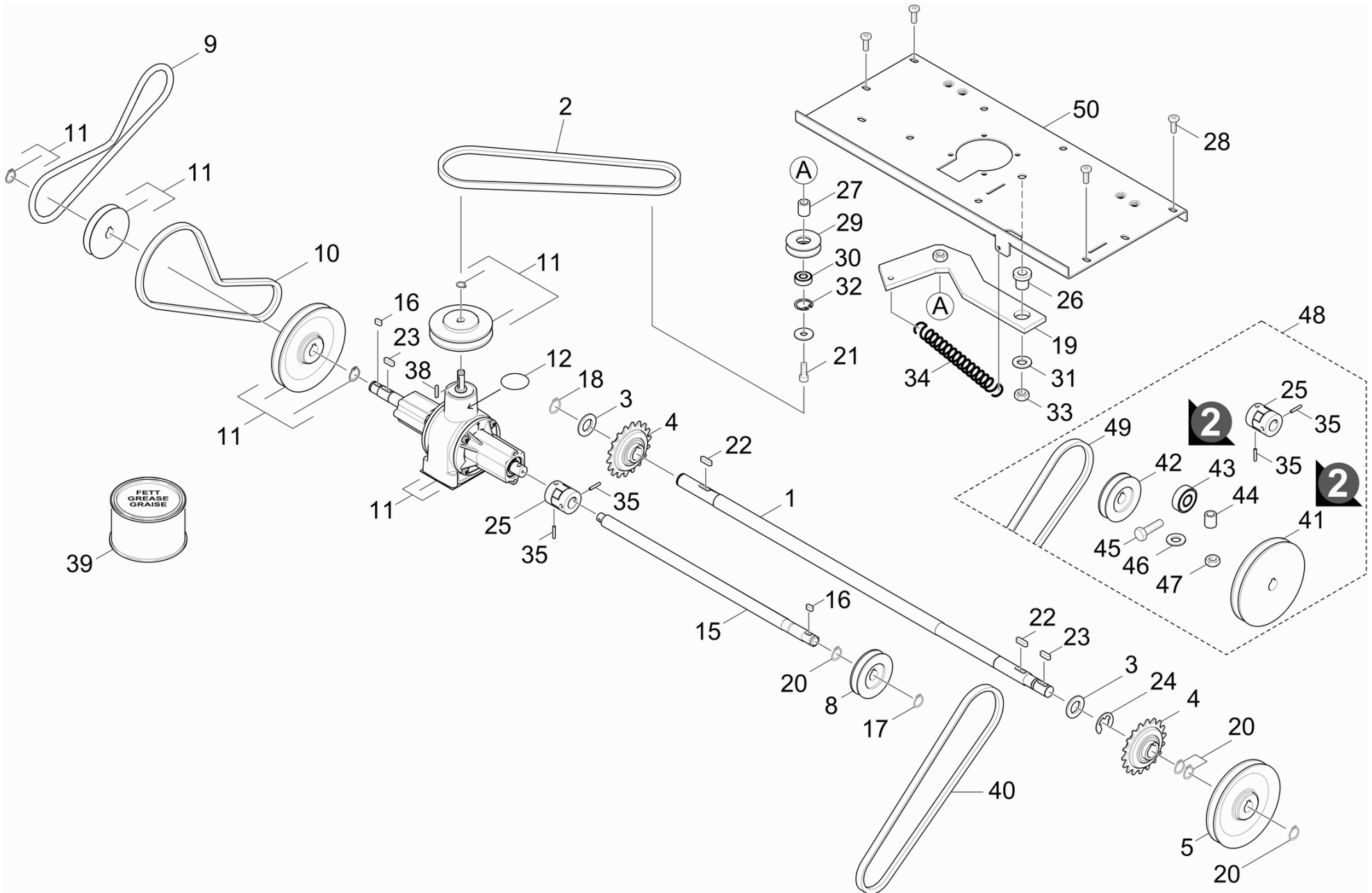
17 Belt stretcher gear (4.040-699.0)

POS	Article no.	Description	Quantity	Unit
40	7.311-060.0	Hexagon nut M 8 -A2-70 EN 1661	1	PC
60	5.116-336.0	Sleeve belt stretcher	1	PC



23 Belt stretcher reversing rolling mill (4.040-698.0)

POS	Article no.	Description	Quantity	Unit
30	7.311-060.0	Hexagon nut M 8 -A2-70 EN 1661	1	PC
40	7.311-427.0	Hexagon nut M8 -04-A2E DIN 985	1	PC
50	7.304-406.0	Hexagonal head screw M 8x35-8.8-A2E IS	1	PC



40 Transmission completely

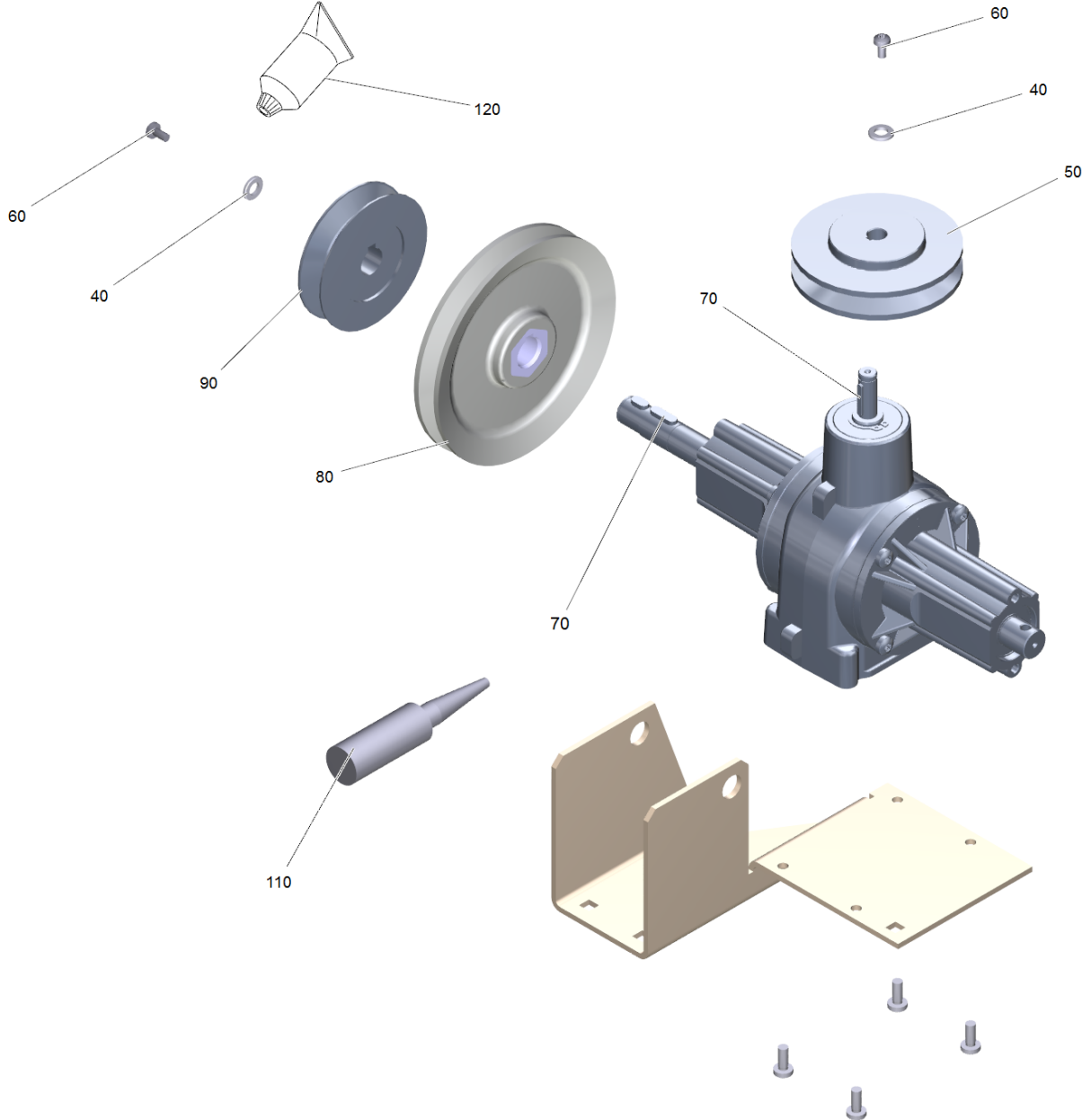
POS	Article no.	Description	Quantity	Unit	Remark
1	5.100-523.0	Shaft wheel axle	1	PC	
2	6.348-438.0	V-Belt motor	1	PC	
3	7.312-019.0	Washer 16-200HV-A3E ISO7089	3	PC	
4	6.401-440.0	Sprag clutch	2	PC	
8	5.625-482.0	Belt pulley gear	1	PC	
9	6.348-436.0	Round belt D10	1	PC	
10	6.348-063.0	V-Belt ZX Ld706	1	PC	
11	2.852-236.0	Gear transmission for replacement	1	PC	
11	2.852-824.0	Gear transmission cpl.	1	PC	supplier:Hangzhou Hengye Motor Manufacturing
12	6.363-394.0	O-Ring seal 57x1,5	1	PC	
15	5.100-531.0	Shaft gear long	1	PC	
16	7.318-090.0	Parallel key A5x5x10-C45K DIN 6885	2	PC	
18	7.343-029.0	Locking ring 17x1-FST-RF DIN 471	1	PC	
19	4.040-642.0	Belt stretcher motor	1	PC	
20	7.343-015.0	Locking ring 15x1-FST-RF DIN 471	4	PC	
21	7.306-521.0	Cylinder head screw M 8x25-8.8-A2E DIN	1	PC	
22	7.318-003.0	Parallel key 5X 5X 18-C45K DIN 6885	2	PC	
23	7.318-002.0	Parallel key 5x5x16 -C45K DIN 6885-1	2	PC	
24	7.343-304.0	Lock washer 15 -A2 DIN 6799	1	PC	
25	6.465-027.0	Coupler	1	PC	
26	5.116-336.0	Sleeve belt stretcher	1	PC	
27	5.317-069.0	Bush	1	PC	
28	7.306-092.0	Screw M6x20-ST- 8.8-R3R (IN6RD)	4	PC	
29	5.625-375.0	Belt pulley belt stretcher 750 HO	1	PC	
30	7.401-149.0	Ball bearing 608-2RS -Wälzl.St DIN 625	1	PC	
31	7.312-277.0	Washer 8-200HV-A2E ISO7093-1	1	PC	
32	7.343-105.0	Locking ring 22x1-FST-PHR DIN 472	1	PC	
33	7.311-060.0	Hexagon nut M 8 -A2-70 EN 1661	1	PC	
34	6.330-183.0	Extension spring	1	PC	
35	6.491-557.0	Spring pin	2	PC	Version 1 (l = 25,4mmm)
35	7.314-945.0	Spring pin 5,0x28-St ISO 8752	2	PC	Version 2 (l = 28mm)
38	7.318-105.0	Parallel key A3x3x18 -C45K DIN 6885	1	PC	
39	6.288-095.0	Viscous oil	1	PC	

40 Transmission completely

POS	Article no.	Description	Quantity	Unit	Remark
40	6.348-454.0	V-Belt 1292 mm	1	PC	
41	5.625-007.0	Belt pulley D = 115 mm	1	PC	
42	5.625-500.0	Belt pulley gear	1	PC	
43	7.401-047.0	Ball bearing 626-2RS -Wälzl.St. DIN 625	2	PC	
44	5.116-408.0	Sleeve	1	PC	
45	7.304-120.0	Hexagonal head screw M 6x35-A4-70 ISO 4	1	PC	
46	7.312-045.0	Washer 6-200HV-P4E ISO 7089	1	PC	
47	7.311-512.0	Hexagon nut M 6-8-A2E ISO 7040	1	PC	
48	2.641-958.0	Conversion kit belt pulley KM 75/40	1	PC	
49	6.348-355.0	V-Belt Z/10	1	PC	
50	4.040-632.0	Carrier motor complete	1	PC	

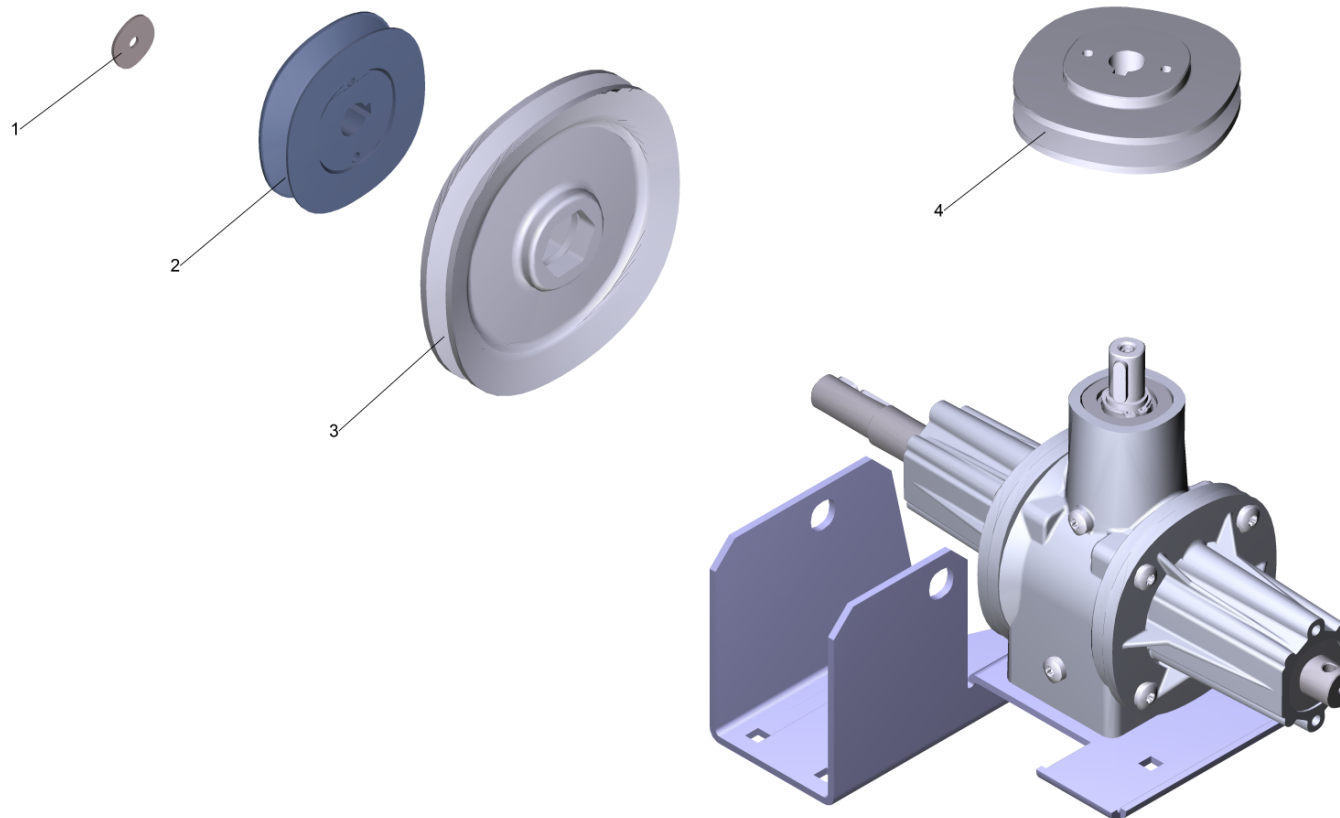
11 Gear transmission for replacement (2.852-236.0)

POS	Description	Quantity	Unit
10	Gear transmission complete 0007-00-00-02	1	PC



10 Gear transmission complete 0007-00-00-02

POS	Article no.	Description	Quantity	Unit
40	6.680-967.0	Washer 0007-07-00-00	2	PC
50	6.348-005.0	Belt pulley 0007-03-00-00	1	PC
60	7.306-056.0	Screw M4x8 -8.8-R2R (In6Rd)	2	PC
70	7.318-003.0	Parallel key 5X 5X 18-C45K DIN 6885	2	PC
80	6.348-004.0	Belt pulley 0007-04-00-00	1	PC
90	6.348-009.0	Belt pulley 0007-05-00-00	1	PC
100	7.318-090.0	Parallel key A5x5x10-C45K DIN 6885	1	PC
110		Grease Mobilith SHC 007	0,1	kg
120	7.777-999.0	Stockpiling discontinued	1	PC

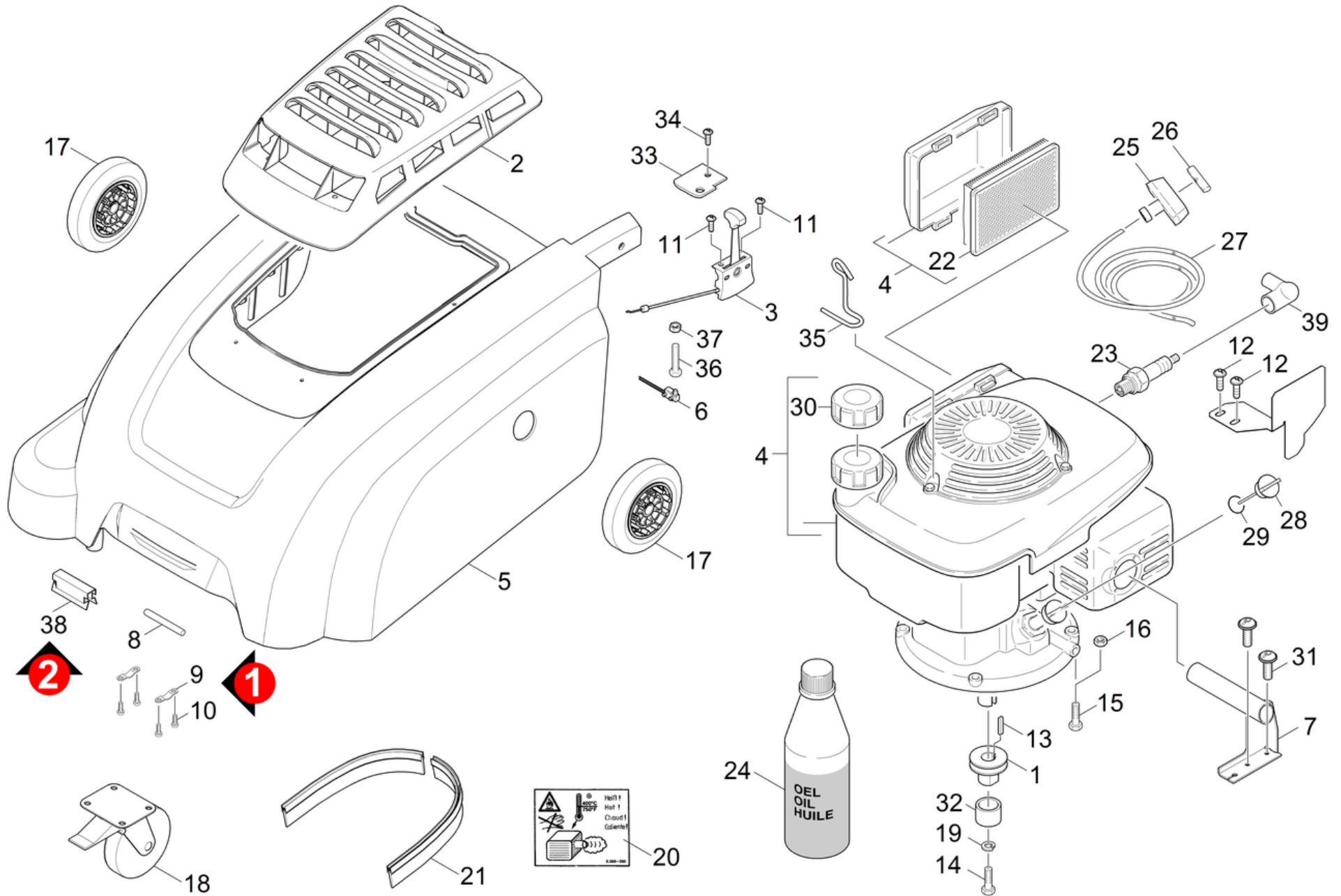


11 Gear transmission cpl. (2.852-824.0)

POS	Article no.	Description	Quantity	Unit
1	6.681-232.0	Washer	1	PC
2	6.348-038.0	Belt pulley	1	PC
3	6.348-037.0	Belt pulley	1	PC
4	6.348-036.0	Belt pulley	1	PC

50 Motor

POS	Description	Quantity	Unit
51	Motor	1	PC

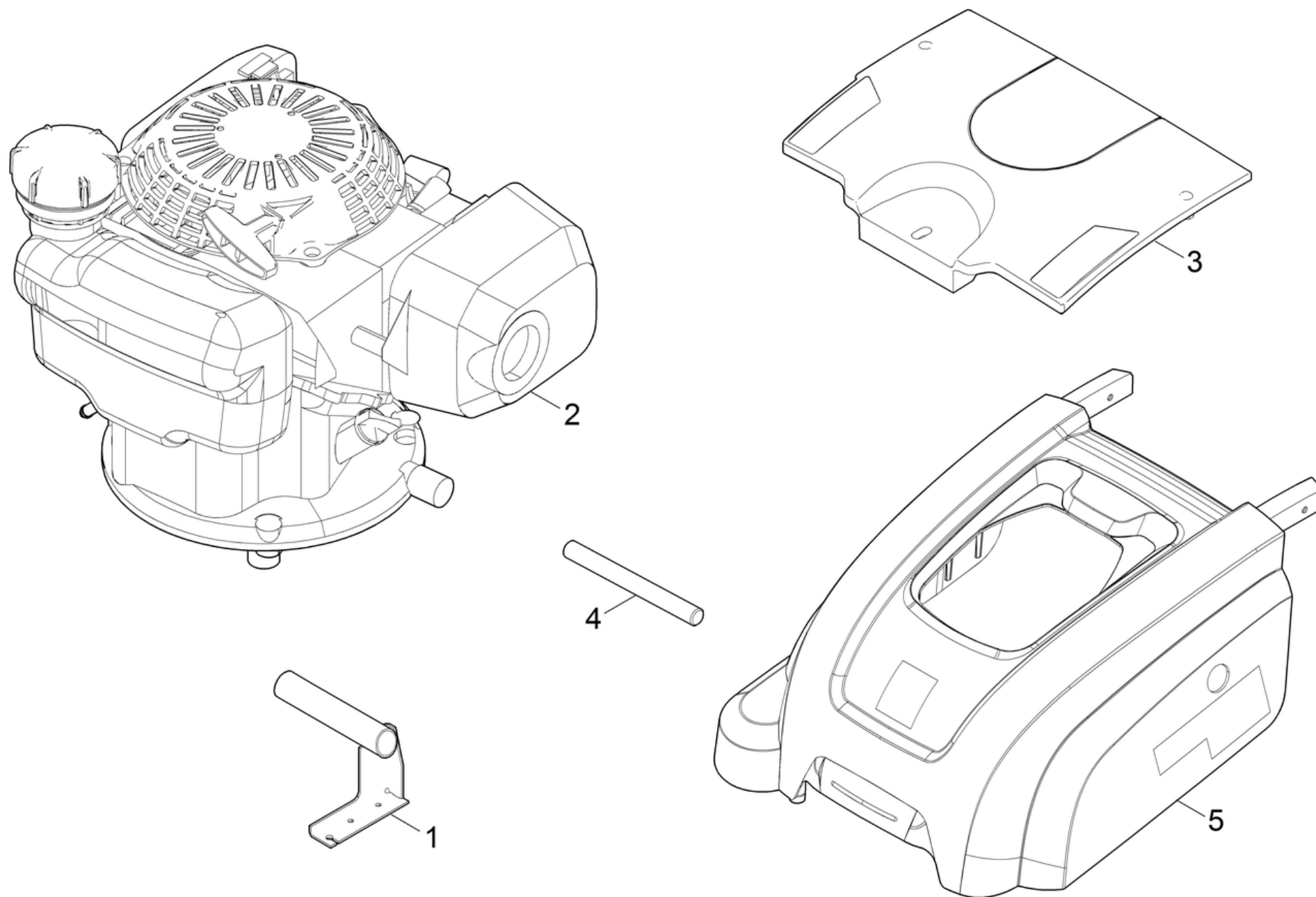


51 Motor

POS	Article no.	Description	Quantity	Unit	Remark
1	5.100-524.0	Shaft motor Honda	1	PC	
2	5.064-254.0	Flap service gasoline	1	PC	
3	6.431-260.0	Throttle cable	1	PC	
4		Conversion kit Umstellung auf GCV-160	1	PC	
4	6.491-744.0	Gasoline engine 4.5 HP GCV 135E-N2-KA-SD	1	PC	
5	5.050-979.0	Cover gasoline grey KM 75/40	1	PC	
6	6.632-429.0	Switch cover	1	PC	
7	4.040-749.0	Exhaust complete	1	PC	
8	7.314-148.0	Straight pin 6h8x50 -A1 ISO 2338	1	PC	Version 1
9	6.903-241.0	Clamp clip	2	PC	Version 1
10	7.303-107.0	Screw 5x16 -10.9-P2R (K-In6Rd)	4	PC	Version 1
11	7.303-112.0	Screw 6x20 -10.9-R2R (In6Rd)	2	PC	
12	7.303-046.0	Screw M6x12 -St-R3R (In6Rd)	2	PC	
13	6.491-207.0	Parallel key	1	PC	
14	6.303-313.0	Screw 3/8"-24UNF	1	PC	
15	7.304-406.0	Hexagonal head screw M 8x35-8.8-A2E IS	4	PC	
16	7.311-427.0	Hexagon nut M8 -04-A2E DIN 985	4	PC	
17	6.435-758.0	Tire with rim	2	PC	
18	6.435-827.0	Castor	1	PC	
19	7.312-277.0	Washer 8-200HV-A2E ISO7093-1	1	PC	
20	5.388-250.0	Warning sign hot exhaust	1	PC	
21	6.365-413.0	Sealing profile	1	m	
22	6.491-726.0	Air filter insert	1	PC	
23	6.618-090.0	Ignition plug	1	PC	
24	6.288-050.0	Engine oil 1L	1	PC	
25	6.491-706.0	Handhold for pull cord	1	PC	
26	6.491-468.0	Handhold reinforcement	1	PC	
27	6.491-739.0	STARTER ROPE lang	1	PC	
28	6.491-705.0	Oil level gauge	1	PC	
29	7.777-999.0	Stockpiling discontinued	1	PC	
30	6.491-723.0	Cap of a tank	1	PC	
31	7.303-112.0	Screw 6x20 -10.9-R2R (In6Rd)	2	PC	
32	5.116-337.0	Sleeve blower wheel	1	PC	

51 Motor

POS	Article no.	Description	Quantity	Unit	Remark
33	5.009-797.0	Plate switch cover	1	PC	
34	7.303-111.0	Screw 5x50 -10.9-R2R (K-In6Rd)	1	PC	
35	5.037-190.0	Hook	1	PC	
36	5.304-094.0	Screw switch cover	1	PC	
37	7.311-004.0	Hexagon nut M8 -8-A3E ISO 4032	1	PC	
38	6.373-952.0	Clamp plate	1	PC	Version 2
39	6.025-525.0	Spark plug connector LB10E	1	PC	

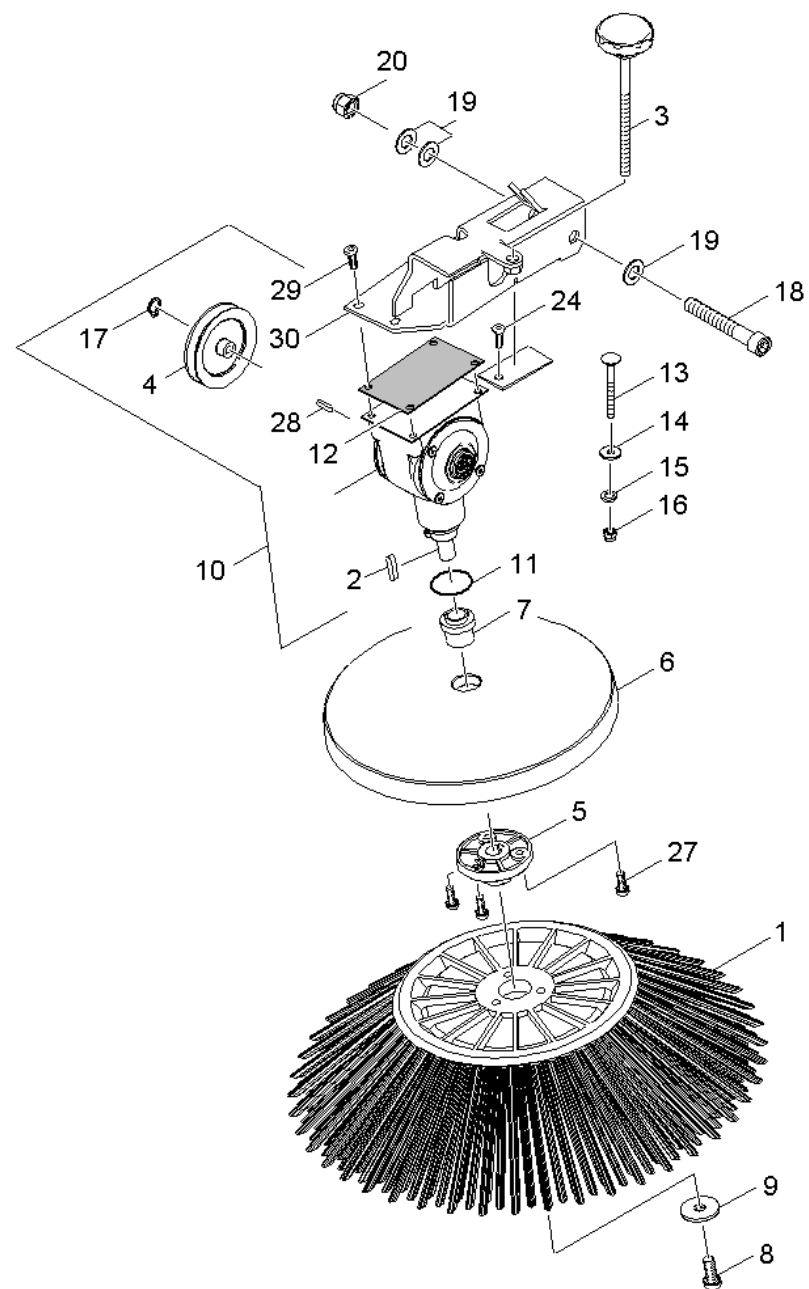


4 Conversion kit Umstellung auf GCV-160

POS	Article no.	Description	Quantity	Unit
1	4.040-039.0	Exhaust complete	1	PC
2	6.491-009.0	Gasoline engine Honda GCV-160	1	PC
3	5.093-014.0	Operating unit gasoline GCV-160	1	PC
4	5.105-011.0	Axle	1	PC
5	5.068-005.0	Cover KM 75/40 Benzin	1	PC

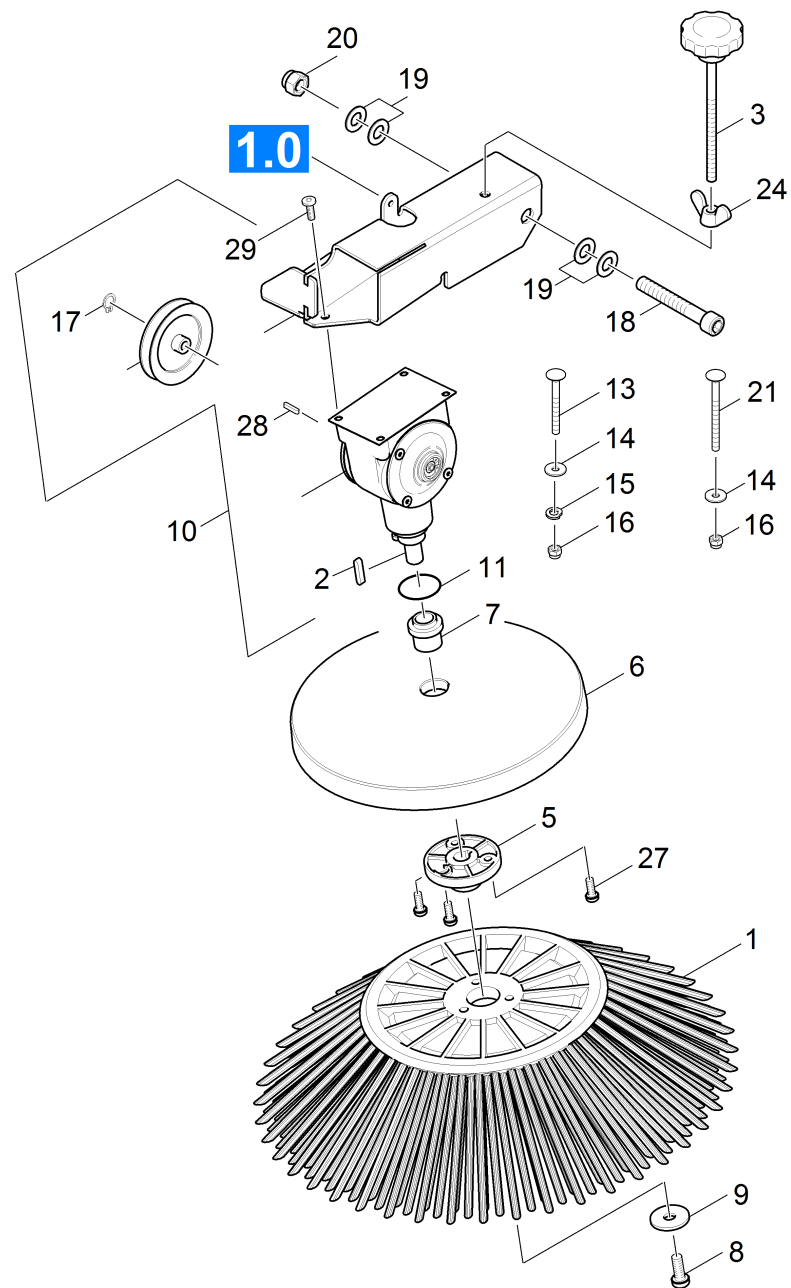
60 Side broom

POS	Description	Quantity	Unit	Remark
61	Side broom	1	PC	Version 1
62	Side broom	1	PC	Version 2



61 Side broom

POS	Article no.	Description	Quantity	Unit
1	6.905-625.0	Side broom hard	1	PC
1	6.905-626.0	Side broom soft	1	PC
2	7.318-079.0	Parallel key A 5x5x25-C45K DIN 6885	1	PC
3	6.321-232.0	Star grip	1	PC
4	5.625-490.0	Belt pulley round belt D10	1	PC
5	5.120-305.0	Hub	1	PC
6	5.064-252.0	Rejecting plate	1	PC
7	5.116-321.0	Sleeve rejecting plate	1	PC
8	7.306-092.0	Screw M6x20-ST- 8.8-R3R (IN6RD)	1	PC
9	7.312-260.0	Washer 6 -100HV-A3E ISO 7094	1	PC
10	2.851-355.0	Assembly group side broom replacement	1	PC
11	6.363-292.0	Joint ring NILOS 6002	2	PC
12	6.273-298.0	Seal	1	PC
13	7.303-233.0	Saucer-head screw M6x60 -St-A0P DIN 603	5	PC
14	7.312-276.0	Washer 6 -200HV-A2E ISO7093-1	4	PC
15	7.312-305.0	Spring washer B 6-FST-A2E DIN 137	5	PC
16	7.311-512.0	Hexagon nut M 6-8-A2E ISO 7040	5	PC
17	7.343-014.0	Locking ring 8x0,8-FST-PHR DIN 471	1	PC
18	7.306-122.0	Cylinder head screw M12x80- 8.8-A3E IS	1	PC
19	5.115-681.0	Washer	3	PC
20	7.311-515.0	Hexagon nut M12-8-A2E ISO 7040	1	PC
24	7.303-112.0	Screw 6x20 -10.9-R2R (In6Rd)	1	PC
27	7.306-500.0	Cylinder head screw M6x12-8.8-A2E DIN 6	3	PC
28	7.318-006.0	Parallel key 3x3x10-C45K DIN 6885	1	PC
29	7.306-394.0	Screw M5x12-8.8-ZNBHL ISO14583	4	PC
30	5.094-266.0	Sheet metal component arm side broom	1	PC

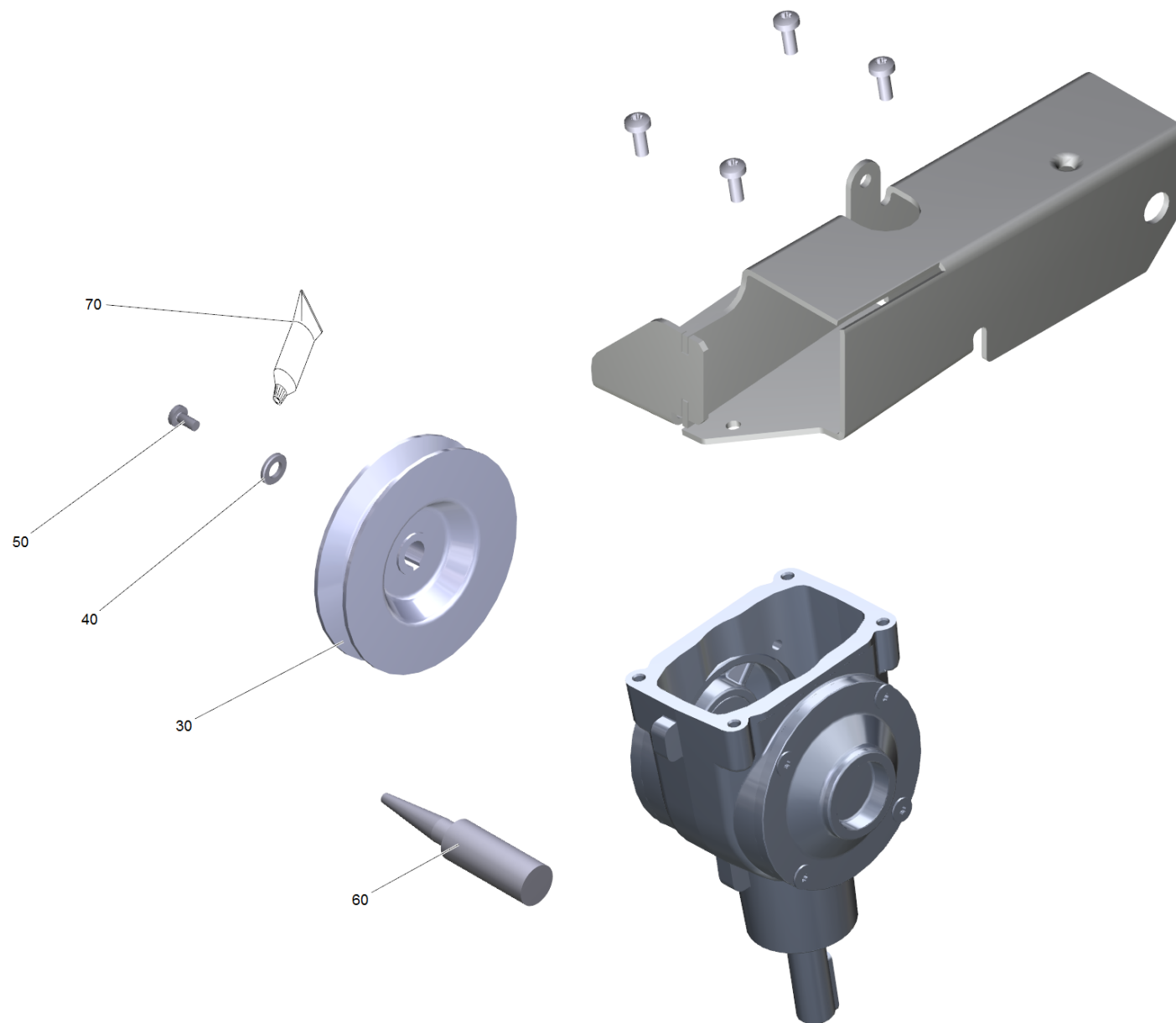


62 Side broom

POS	Article no.	Description	Quantity	Unit	Remark
1	6.905-625.0	Side broom hard	1	PC	
1	6.905-626.0	Side broom soft	1	PC	
2	7.318-079.0	Parallel key A 5x5x25-C45K DIN 6885	1	PC	
3	6.321-232.0	Star grip	1	PC	
5	5.120-305.0	Hub	1	PC	
6	5.064-252.0	Rejecting plate	1	PC	
7	5.116-321.0	Sleeve rejecting plate	1	PC	
8	7.306-092.0	Screw M6x20-ST- 8.8-R3R (IN6RD)	1	PC	
9	7.312-260.0	Washer 6 -100HV-A3E ISO 7094	1	PC	
10	2.852-237.0	Assembly group side broom for replacemen	1	PC	
	Item text1: Version 1				
10	2.852-823.0	Assembly group side broom	1	PC	supplier:Hangzhou Hengye Motor Manufacturing
	Item text1: Version 2				
11	6.363-292.0	Joint ring NILOS 6002	2	PC	
13	7.303-233.0	Saucer-head screw M6x60 -St-A0P DIN 603	4	PC	
14	7.312-276.0	Washer 6 -200HV-A2E ISO7093-1	4	PC	
15	7.312-305.0	Spring washer B 6-FST-A2E DIN 137	5	PC	
16	7.311-512.0	Hexagon nut M 6-8-A2E ISO 7040	5	PC	
17	7.343-014.0	Locking ring 8x0,8-FST-PHR DIN 471	1	PC	
18	7.306-122.0	Cylinder head screw M12x80- 8.8-A3E IS	1	PC	
19	5.115-681.0	Washer	4	PC	
20	7.311-515.0	Hexagon nut M12-8-A2E ISO 7040	1	PC	
21	7.303-265.0	Saucer-head screw M6x80 -St-A0P DIN 603	1	PC	
24	7.310-008.0	Wing nut M 8-A DIN 315	1	PC	
27	7.306-500.0	Cylinder head screw M6x12-8.8-A2E DIN 6	3	PC	
28	7.318-006.0	Parallel key 3x3x10-C45K DIN 6885	1	PC	
29	7.306-394.0	Screw M5x12-8.8-ZNBHL ISO14583	4	PC	

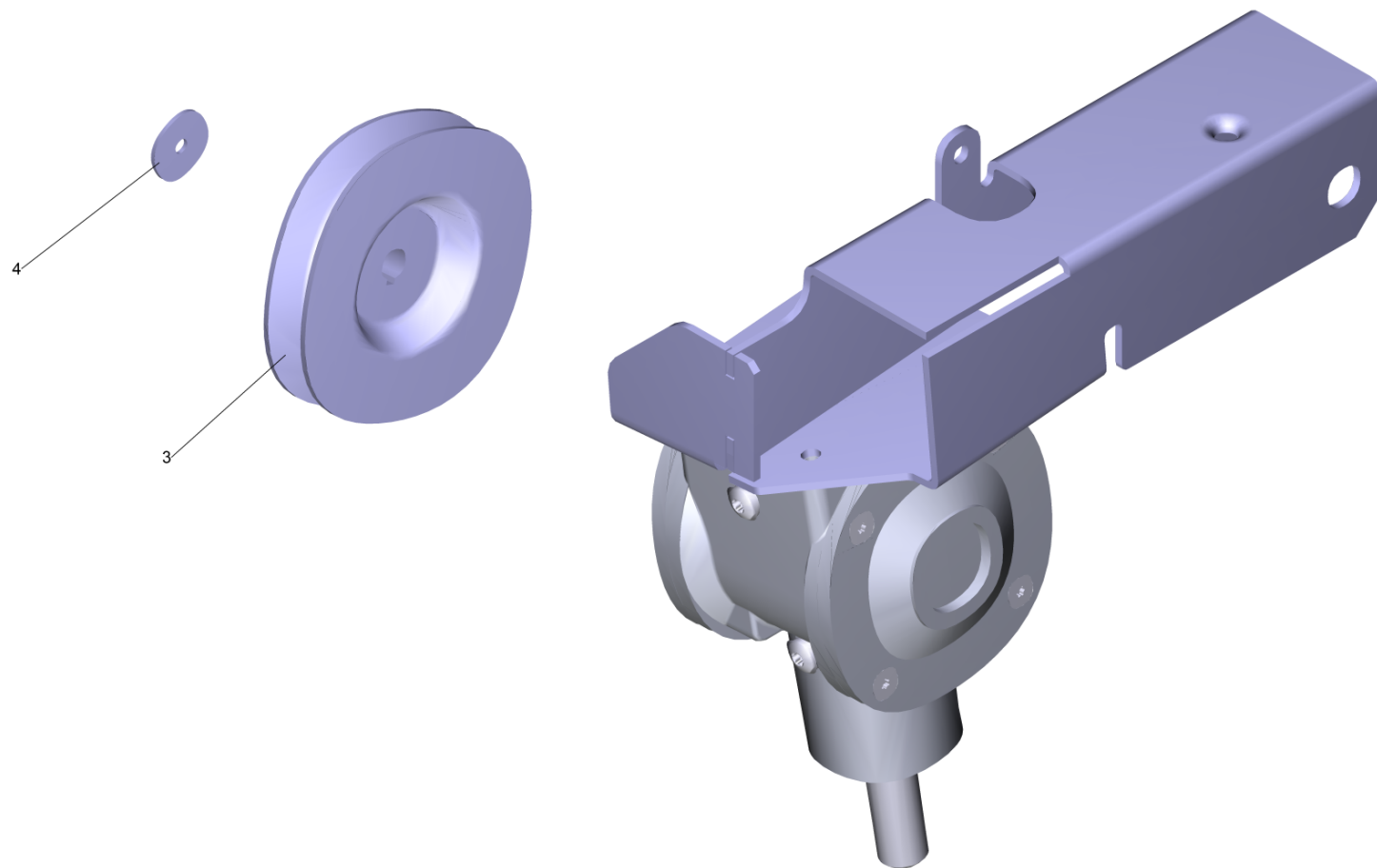
10 Assembly group side broom for replacemen (2.852-237.0)

POS	Description	Quantity	Unit
10	Assembly group side broom 0008-00-00-01	1	PC



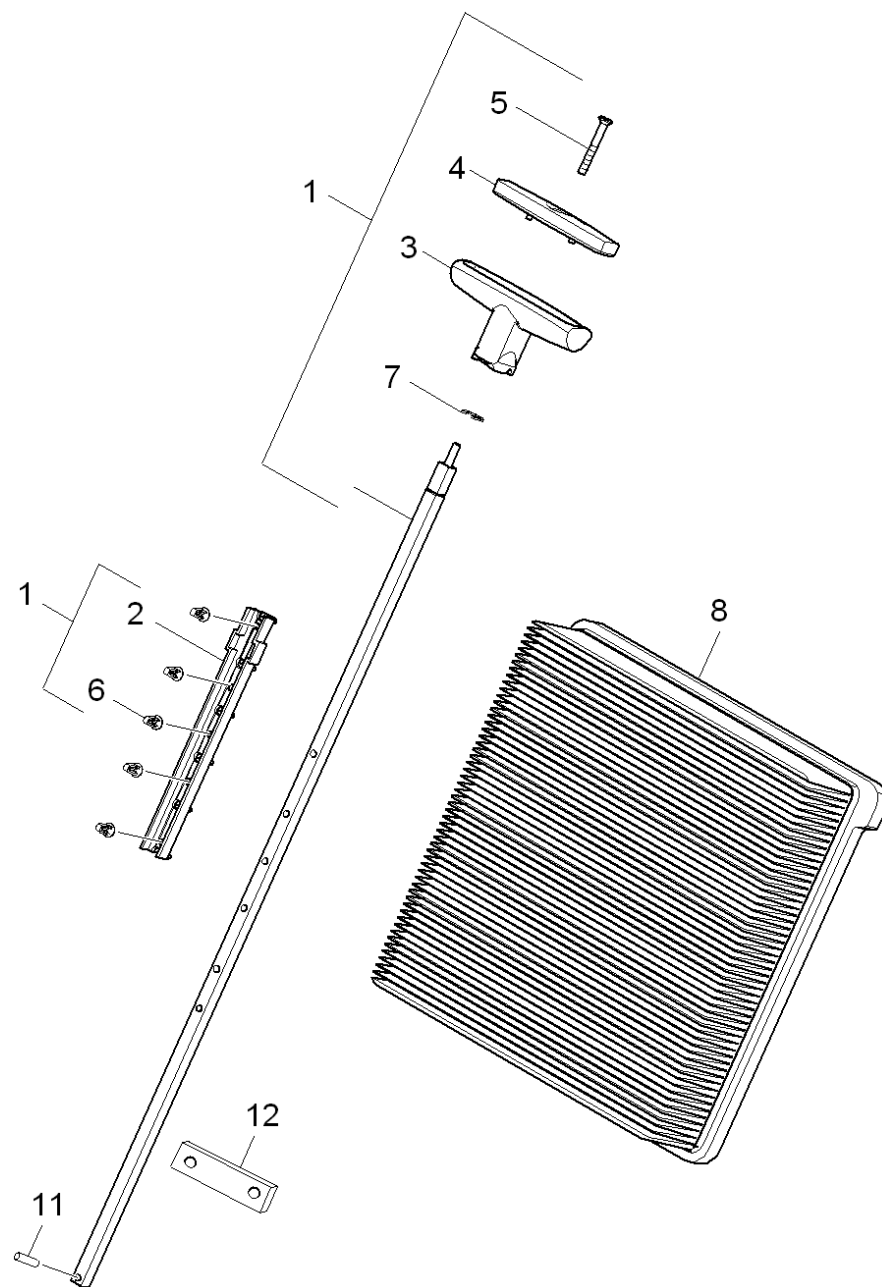
10 Assembly group side broom 0008-00-00-01

POS	Article no.	Description	Quantity	Unit
30	6.348-006.0	Belt pulley 0008-03-00-01	1	PC
40	6.680-967.0	Washer 0007-07-00-00	1	PC
50	7.306-056.0	Screw M4x8 -8.8-R2R (In6Rd)	1	PC
60		Grease Mobilith SHC 007	0,07	kg
70	7.777-999.0	Stockpiling discontinued	1	PC



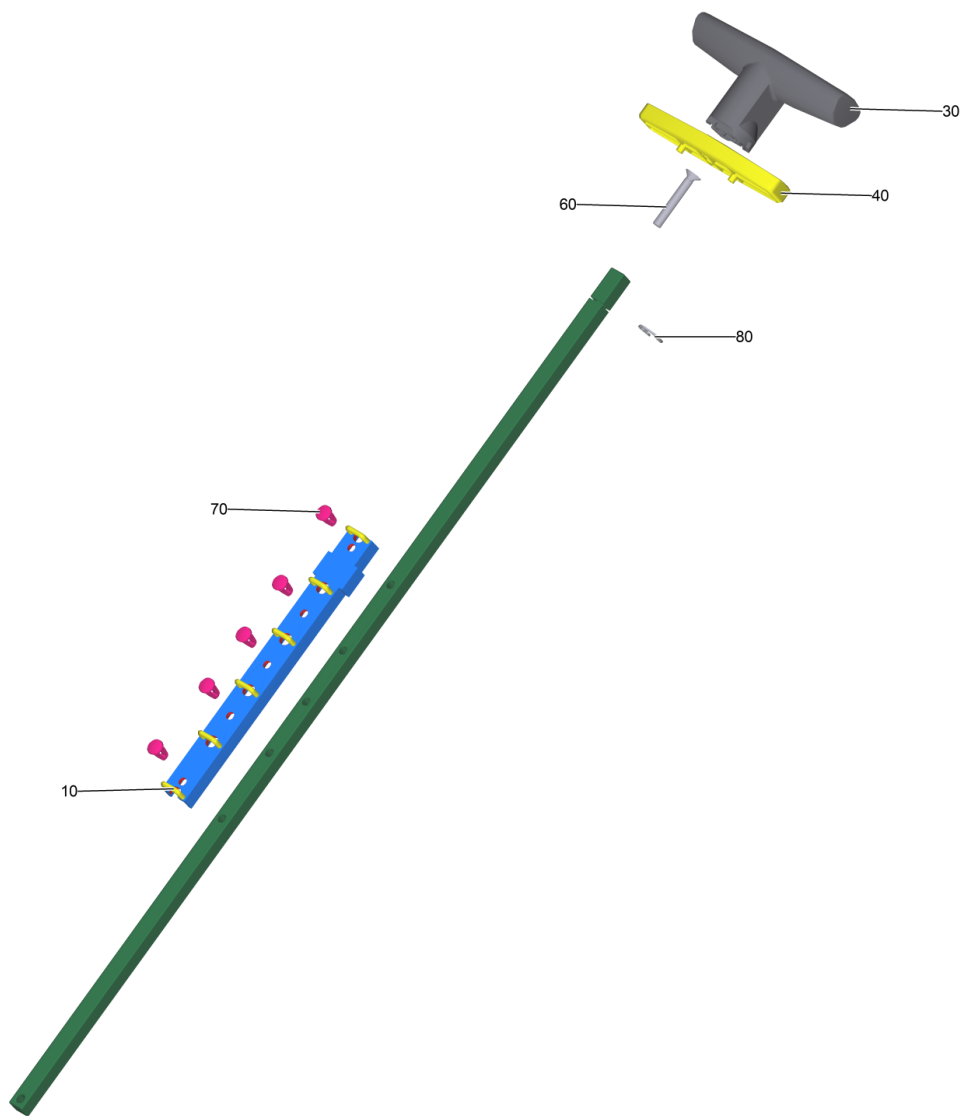
10 Assembly group side broom (2.852-823.0)

POS	Article no.	Description	Quantity	Unit
3	6.348-035.0	Belt pulley	1	PC
4	6.681-232.0	Washer	1	PC



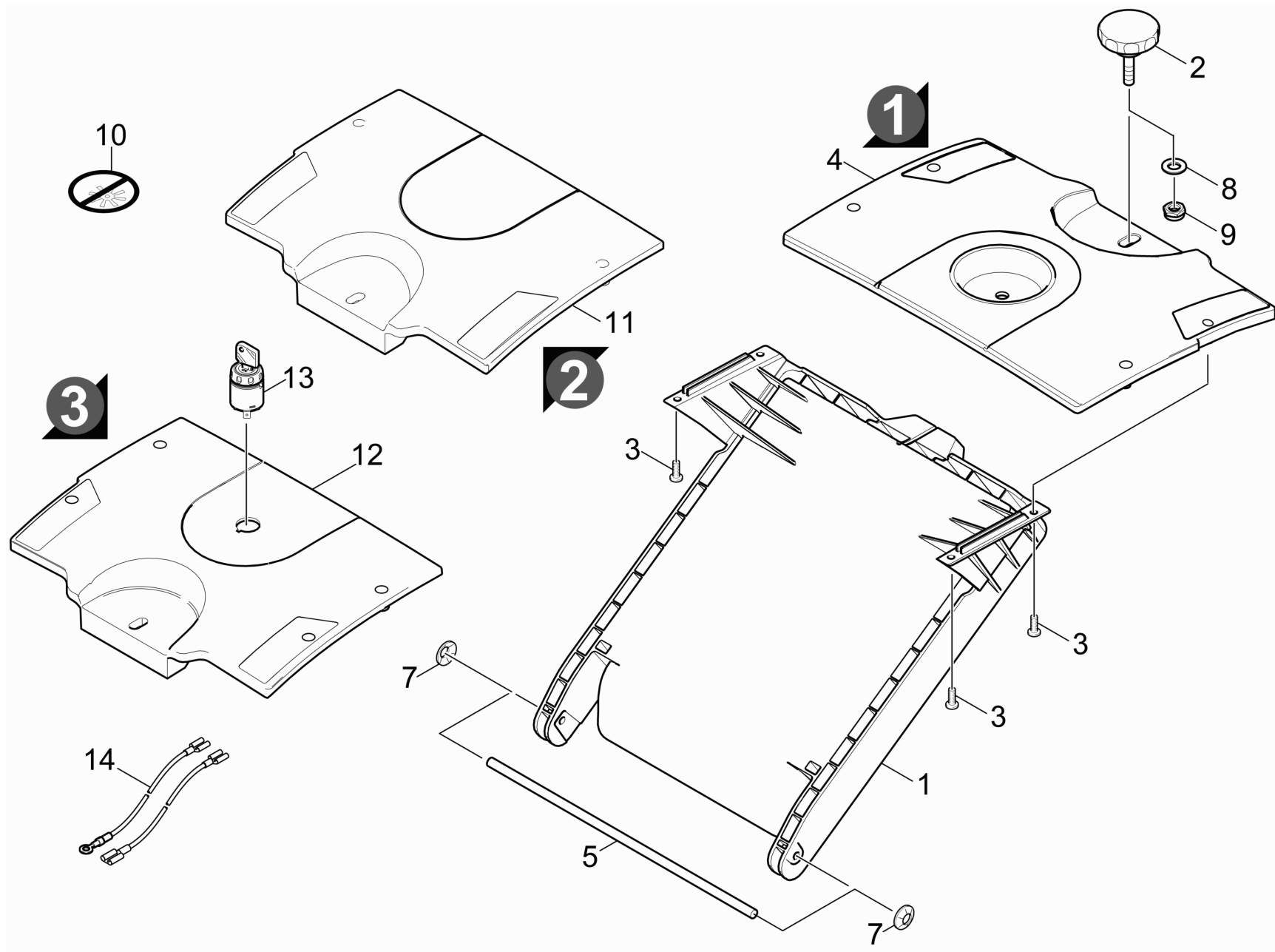
70 Filter box

POS	Article no.	Description	Quantity	Unit	Remark
1	4.040-643.0	Filter vibrator complete	1	PC	
1	4.040-898.0	Filter vibrator complete KM 75/40 W Bp Pack Boels	1	PC	1.049-215.0 Boels
2	5.030-900.0	Stripper	1	PC	
3	5.321-736.0	Handhold	1	PC	
4	5.326-028.0	Button	1	PC	
4	5.326-051.0	Button black	1	PC	1.049-215.0 Boels
5	7.305-094.0	Countersunk screw M5x40 -A2-70 (IN6RD)	1	PC	
6	6.315-068.0	Rivet	5	PC	
7	7.343-303.0	Locking ring 8-A2 DIN 6799	1	PC	
8	5.731-635.0	Filter cartridge without groove KM 75/40	1	PC	
11	7.314-945.0	Spring pin 5,0x28-St ISO 8752	1	PC	
12	5.009-352.0	Sheet metal component guide	1	PC	



1 Filter vibrator complete (4.040-643.0)

POS	Article no.	Description	Quantity	Unit
10	5.030-900.0	Stripper	1	PC
30	5.321-736.0	Handhold	1	PC
40	5.326-028.0	Button	1	PC
60	7.305-044.0	Countersunk screw M5x35 -4.8-A2E ISO 20	1	PC
70	6.315-068.0	Rivet	5	PC
80	7.343-303.0	Locking ring 8-A2 DIN 6799	1	PC

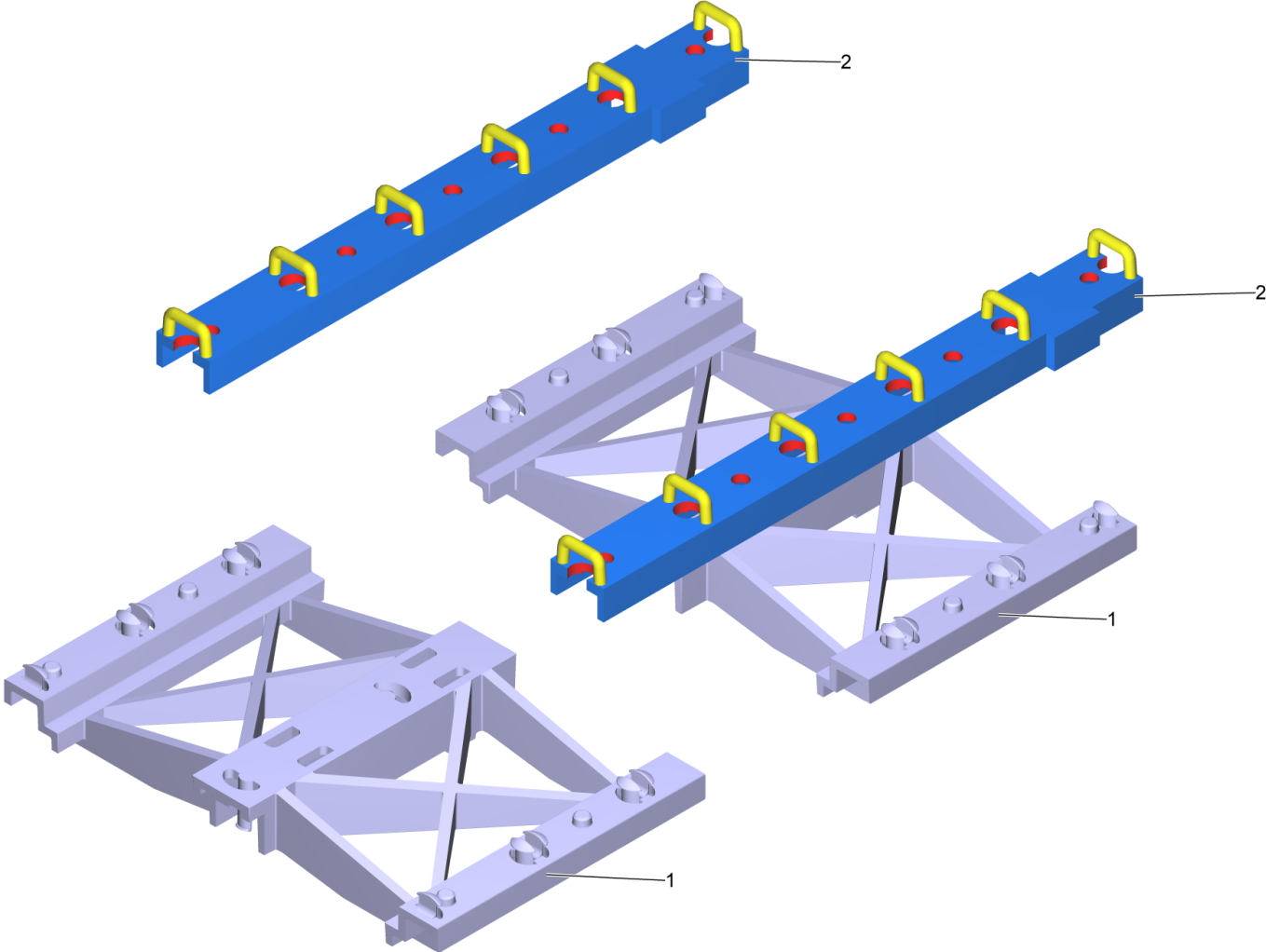


80 Operating unit gasoline

POS	Article no.	Description	Quantity	Unit	Remark
1	5.064-249.0	Cover filter	1	PC	
2	6.321-231.0	Star grip	1	PC	
3	7.303-107.0	Screw 5x16 -10.9-P2R (K-In6Rd)	4	PC	
4	5.093-323.0	Operating unit gasoline	1	PC	Version 1
5	5.105-628.0	Axle	1	PC	
7	6.343-119.0	Lock washer	2	PC	
8	7.312-004.0	Washer 8 -200HV-A3E ISO 7089	1	PC	
9	7.311-427.0	Hexagon nut M8 -04-A2E DIN 985	1	PC	
10	5.390-853.0	Label	1	PC	
11	5.093-014.0	Operating unit gasoline GCV-160	1	PC	Version 2
12	5.093-045.0	Operating unit gasoline GCV-160 Schalter	1	PC	VERSION 3
13	6.375-067.0	Ignition lock Öffner	1	PC	VERSION 3
14	6.650-531.0	Cable harness KM 75/40	1	PC	VERSION 3

90 ABS carpet sweep unit

POS	Article no.	Description	Quantity	Unit
1	7.303-112.0	Screw 6x20 -10.9-R2R (In6Rd)	4	PC
2	4.515-297.0	Castor complete	1	PC
3	6.906-950.0	Reversing rolling mill antistatic	1	PC
4	5.009-609.0	Perforated plate	1	PC



100 ABS filter vibrator double (2.851-040.0)

POS	Article no.	Description	Quantity	Unit
1	5.033-248.0	Filter vibrator double	2	PC
2	5.030-900.0	Stripper	2	PC