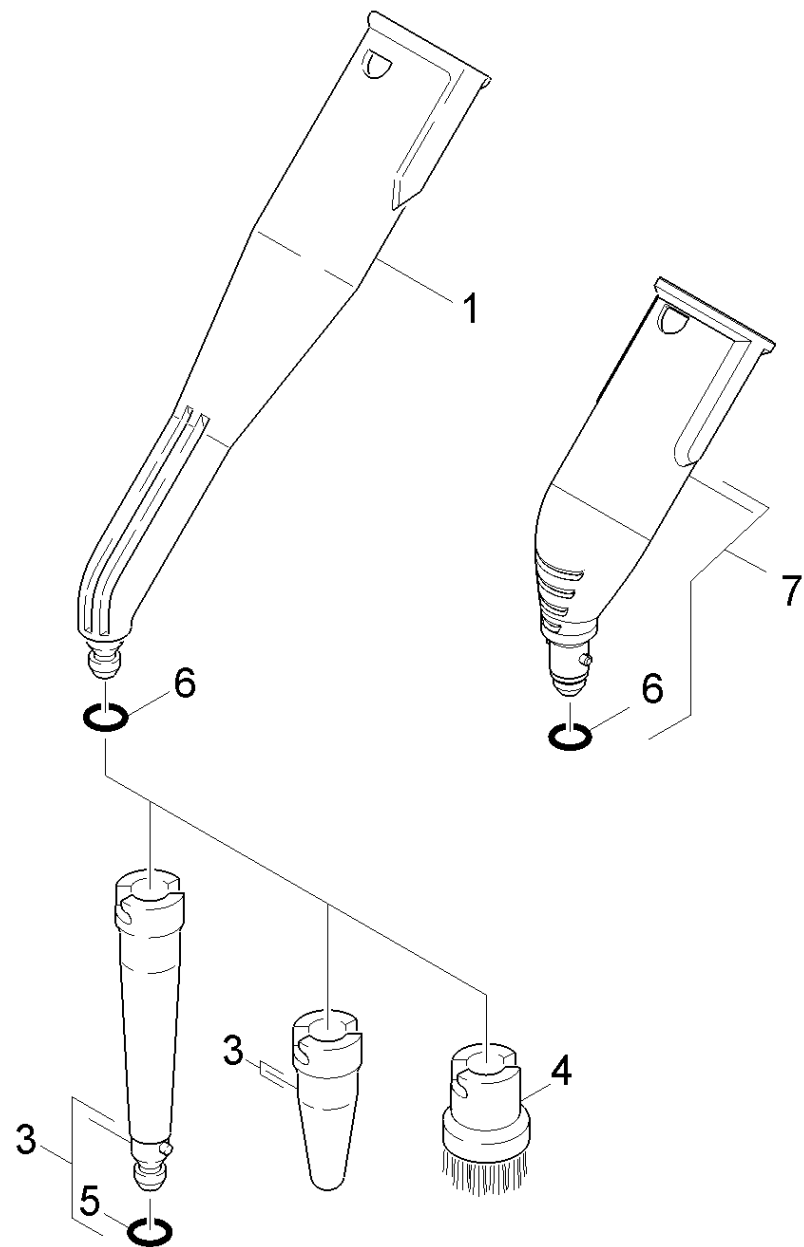


44 Point jet nozzle

Overview technical documents/Professional/Steamer/DE 4002 *EU (1.092-103.0)/Spare parts list DE 4002/40 Accessories/44 Point jet nozzle



44 Point jet nozzle

Overview technical documents/Professional/Steamer/DE 4002 *EU (1.092-103.0)/Spare parts list DE 4002/40 Accessories/44 Point jet nozzle

| ET/VT (spare/wear parts) | Pos | Material # | Name | Qty. | Unit | from ser.nr. | up to ser.nr. | Footnote text |
|--------------------------|-----|-------------|------------------------------|-------|------|--------------|---------------|--------------------|
| X | 1 | 4.130-021.0 | Point jet nozzle complete PA | 1.000 | ST | 0000000000 | 0000000000 | |
| X-X | 3 | 2.884-282.0 | POWER NOZZLE | 1.000 | ST | 0000000000 | 0000000000 | |
| X-X | 4 | 2.863-075.0 | Bristle rink set black CuZn | 1.000 | ST | 0000000000 | 0000000000 | BRASS CONSTRUCTION |
| X-X | 4 | 2.863-058.0 | Bristle rink set | 1.000 | ST | 0000000000 | 0000000000 | |
| | 5 | 6.362-924.0 | O-Ring seal 6,02X 2,62 | 1.000 | ST | 0000000000 | 0000000000 | |
| | 6 | 6.362-186.0 | O-Ring seal 7,65X 1,78 | 1.000 | ST | 0000000000 | 0000000000 | |