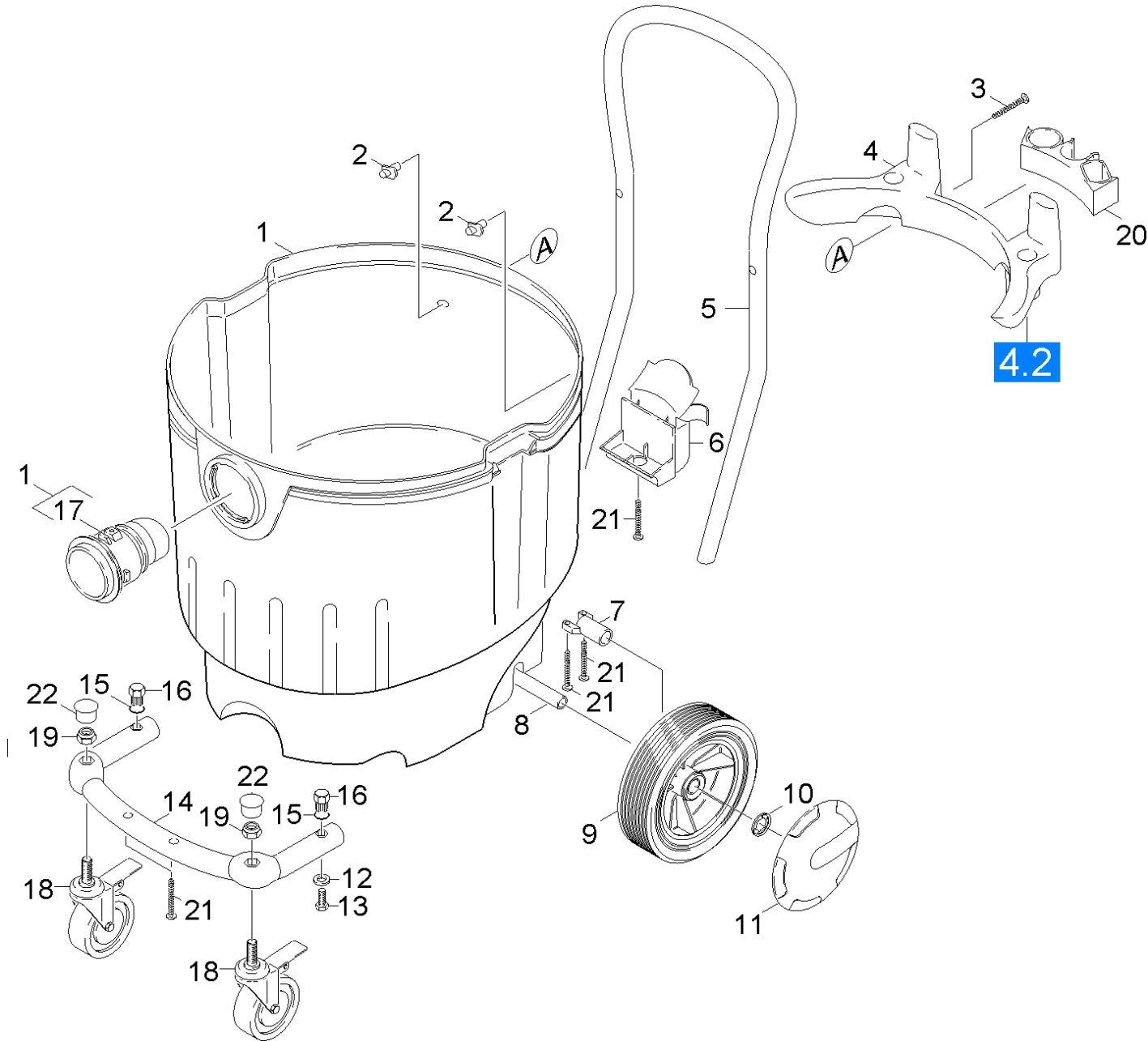


# 41 Tank individual parts

Professional \ Vacuum cleaner \ Wet-/dry vacuum cleaner \ NT 65/2 Eco \*EUR \ Spare parts list NT 65/2 ECO \ Tank and drain hose \ Tank individual parts



## 41 Tank individual parts

Professional \ Vacuum cleaner \ Wet-/dry vacuum cleaner \ NT 65/2 Eco \*EUR \ Spare parts list NT 65/2 ECO \ Tank and drain hose \ Tank individual parts

**KÄRCHER**

POS	Article no.	Description	Quantity	Unit
1	4.070-464.0	Tank complete NT 65/2 Eco	1	PC
14	5.034-659.3	Retaining bracket steering rollers	1	PC
20	5.032-014.0	Holder accessories	1	PC
4	5.032-261.3	Holder accessories large	1	PC
5	5.034-658.3	Shearing shackle	1	PC
6	5.032-331.0	Holder floor nozzle	1	PC
8	5.105-367.0	Axle	1	PC
17	5.031-602.0	Suction connection	1	PC
19	7.311-423.0	Hexagon nut M10 -04-A2E DIN 985	2	PC
18	6.435-384.0	Castor with brake 75	2	PC
16	5.110-922.0	Bush M8	2	PC
15	6.362-169.0	O-Ring seal 12,0 X 2,0	2	PC
12	7.312-004.0	Washer 8 -200HV-A3E ISO 7089	2	PC
13	6.303-285.0	Screw M 8x 40	2	PC
2	5.032-285.0	Fixing	2	PC
11	6.435-197.0	Wheel cap zinc yellow	2	PC
10	6.343-168.0	Lock washer	2	PC
9	6.435-196.0	Wheel D 180	2	PC
7	5.032-286.0	Holder axle	2	PC
3	7.303-171.0	Screw 5x80 -10.9-R2R (K-In6Rd)	2	PC
22	5.032-446.0	Covering cap	2	PC
21	7.303-086.0	Screw 5x30 -10.9-R2R (K-In6Rd)	7	PC