



Nu-Assist

Download on the
App Store

ANDROID APP ON
Google play

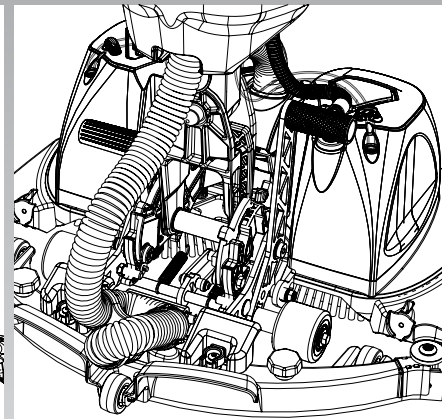
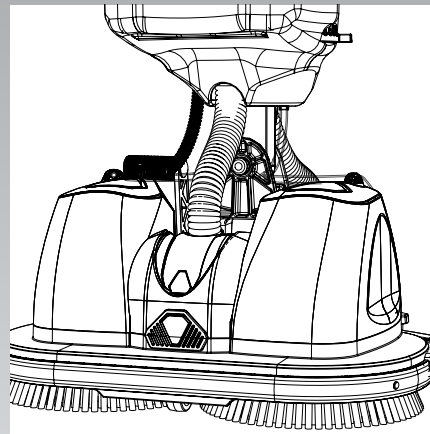
Numatic

www.numatic.com



NUC244NX

COMPACT SCRUBBER DRYER



Original Instructions

Caution! Read instructions before using the machine



Edgar Edmondson Pty Ltd

Head Office
PO Box 198
Marrickville
NSW 1475
AUSTRALIA

Delivery and Shipping Address
18 Garden St
Marrickville
NSW 2204
AUSTRALIA

Office Number: 1800 BUY MOP
Fax Number: +61 (0)2 9519 9223
E-Mail: orders@edmondson.net.au
ABN: 27 000 450 144

Edco

COMPACT SCRUBBER DRYER

NUC244NX

Index

Machine Overview	Pages 1 & 2
Control Panel Overview	Page 3
Quick Set up Guide	Page 4
Brush fitting	Page 4
Main tank assembly removal	Page 4
Clean water tank removal & filling	Page 5
Battery fitting & water flow setting	Page 6-7
Machine handle operation	Page 7
Storage & Transportation	Page 8
Regular maintenance	Page 9
Separator removal & cleaning	Page 9
Clean water tank outlet cleaning	Page 9
Float valve removal & cleaning	Page 10
Emptying Tanks	Page 10
Changing the floor-tool blades	Page 11
Refitting the floor-tool blades	Page 11
Battery removal & charging	Page 12
Removing the battery	Page 12
Battery Charging	Page 12
Twintec Maintenance	Page 12
Specifications	Page 13
Troubleshooting	Page 13
Rating Label / Personal Protective Equipment / Recycling	Page 14
Safety Precautions	Page 15
Recommended Spare Parts	Page 16
Schematic Diagram	Page 16
EU Declaration Document	Page 17
Warranty	Page 18
Company Address	Page 19

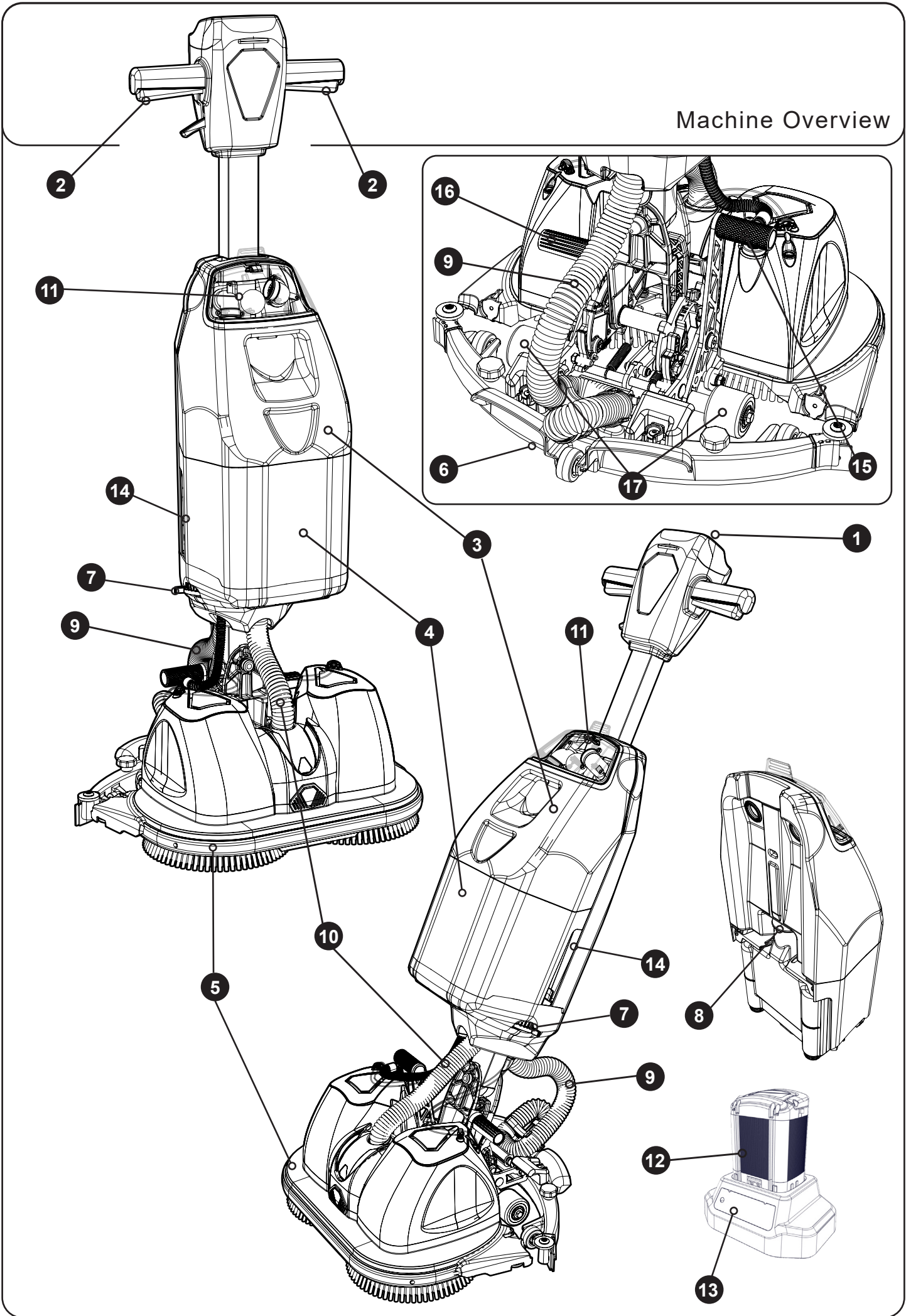
**PLEASE READ
BEFORE COMMENCING
OPERATION.
KEEP FOR FUTURE REFERENCE**

After the removal of all the packaging,
carefully open and check the contents

- Owner Manual
- Battery Charger & Lead
- Battery Pack • Scrub Brushes x 2
- Squeegee Assembly

Machine Overview	
1	Operator control panel
2	Triggers
3	Waste-water tank
4	Clean-water tank
5	Brush deck
6	Squeegee blades
7	Clean water flow adjustment taps
8	Clean-water filling / emptying cap
9	Floor-tool vacuum hose
10	Vacuum hose
11	Separator
12	Battery
13	Battery charger
14	Clean tank fill view windows
15	Storage lever
16	Floor-tool release lever
17	Transport / Storage wheels

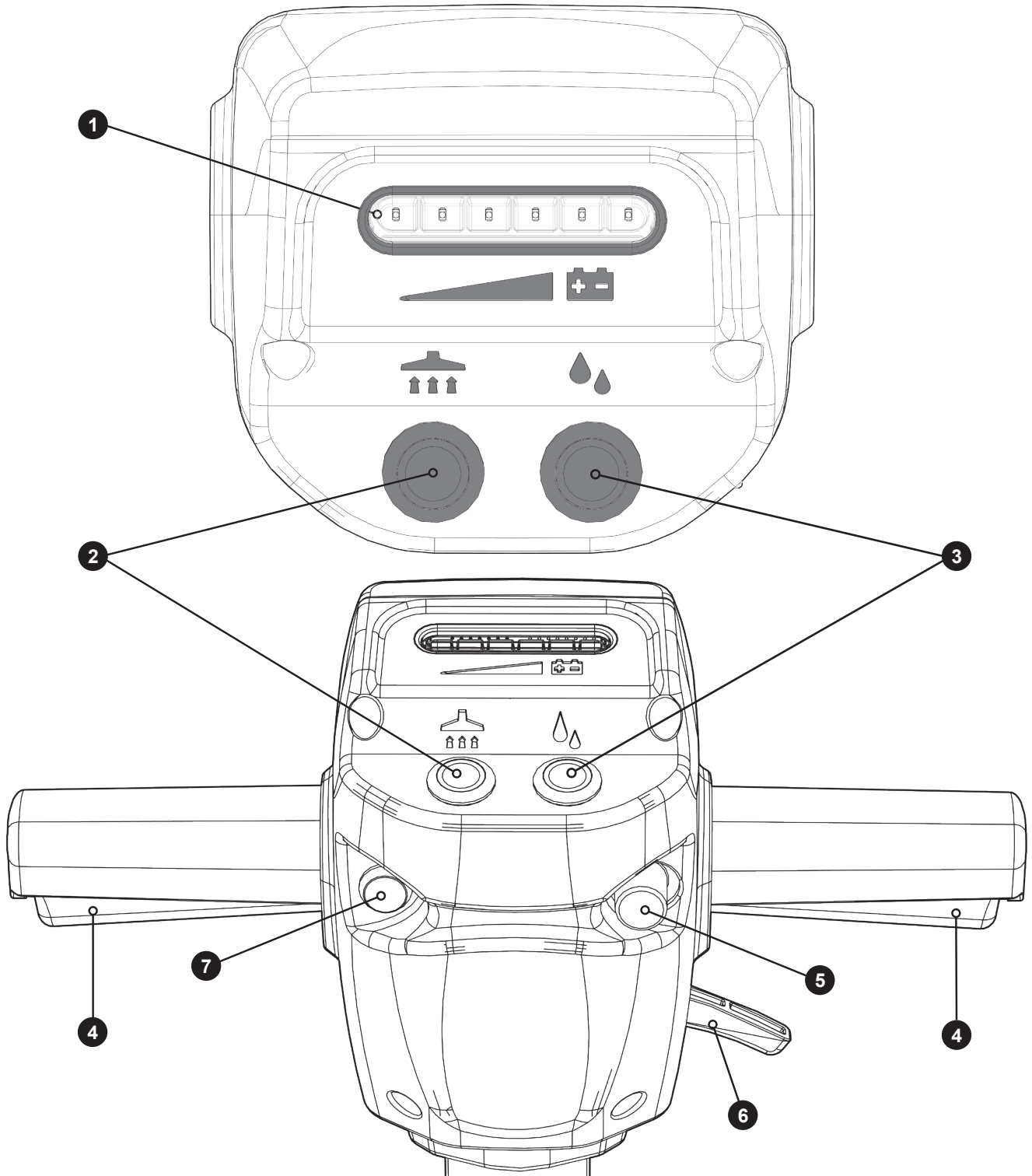
Machine Overview



COMPACT SCRUBBER DRYER

NUC244NX

Control Panel Overview



1	Battery Charge Level Meter
2	Vacuum On / Off
3	Water Flow On / Off
4	Triggers
5	Handle Lock Button (In the upright position)
6	Handle Release Lever
7	Start Button

*In the event of a breakdown contact
your Numatic dealer or the
Numatic Technical
help line +44 (0)1460 269268*

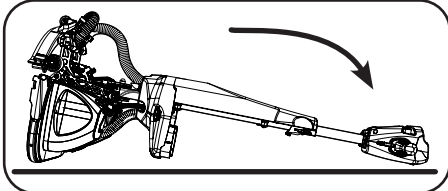


PLEASE READ BEFORE COMMENCING ANY OPERATION. AFTER THE REMOVAL OF ALL THE PACKAGING, CAREFULLY OPEN AND CHECK THE CONTENTS.



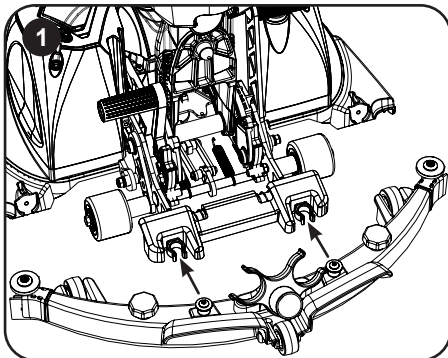
NUC244NX CONTENTS

- Owner Manual
- Battery Charger & Lead
- Battery Pack
- Scrub Brushes x 2
- Squeegee Assembly



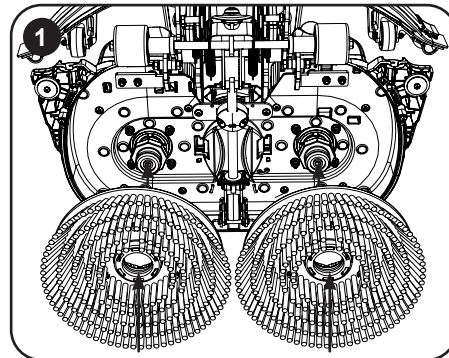
Make sure the handle is locked in upright position and storage wheels are retracted. Remove the tank assembly (and battery if fitted) gently lay machine on its front

Floor tool and vacuum hose fitting

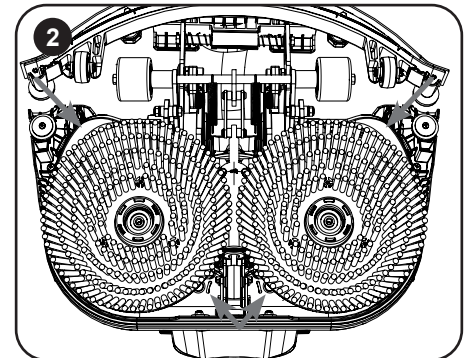


Push the floor tool carrier handle down and push the floor tool onto the retaining clips (1 & 2).

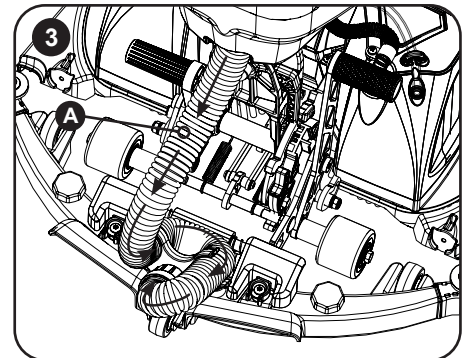
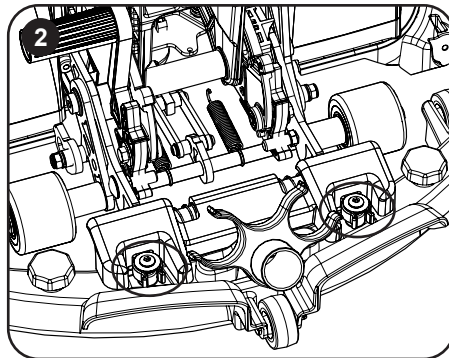
Brush fitting - Make sure battery is removed before fitting or removing brushes.



Push the brush / pad holder onto the brush motor mounts (1 & 2). *Note: Gloves are recommended to be worn whilst fitting and removing the brushes.*

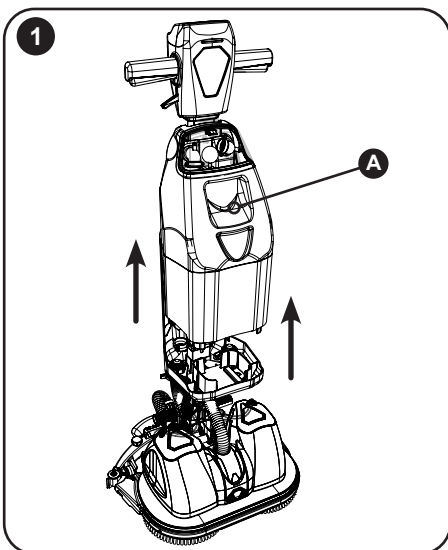


To remove the brushes, place your fingers behind the brush deck in locations shown and gently wiggle off.

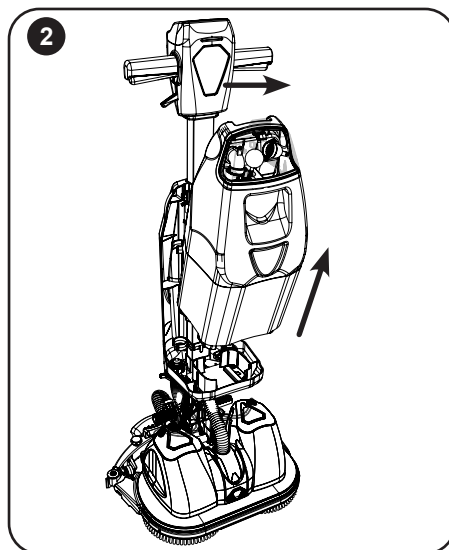


Take the hose and fit it into the hose retaining clips then push the open end securely over the centre fitting on the floor tool. Follow the arrows for the correct fit. Make sure part (A) of the hose stays loose and is not over stretched.

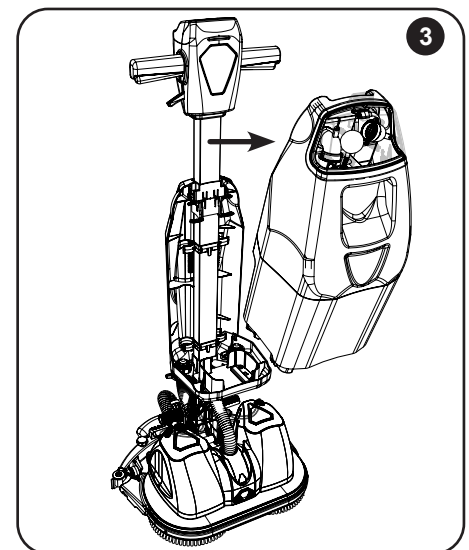
Main tank assembly removal



Remove the tank assembly from the front of the machine. Using the inset handle on the front of the tank assembly (A), lift the tank assembly up towards the main handle.

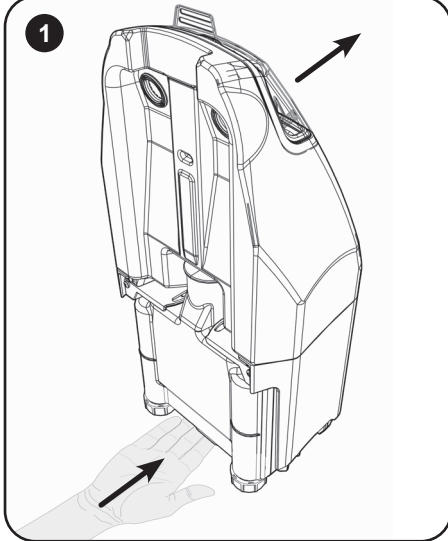


Lift and tilt the top of the tank assembly away from the handle as you remove. Place the tank assembly on a suitable surface in its upright/uppermost position.

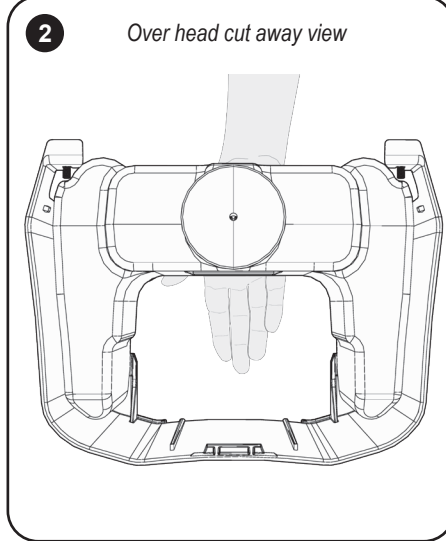


Quick Set-up Guide

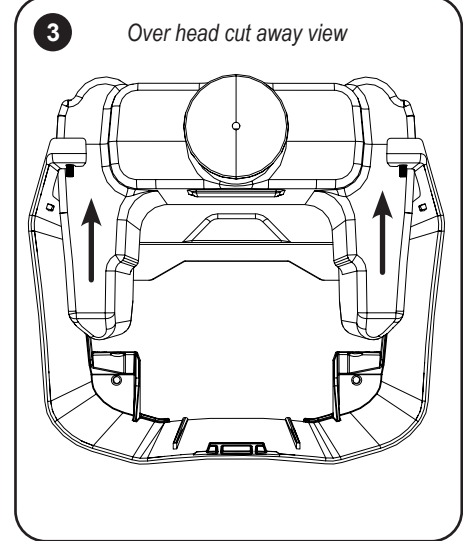
Clean water tank removal and filling



After lifting onto a suitable work surface, tilt the tank assembly slightly forward and slide your hand under the tank.



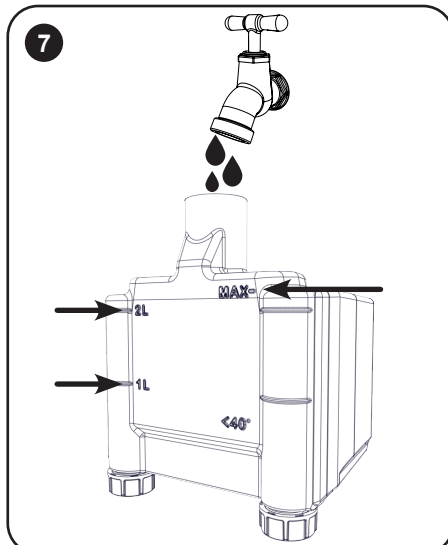
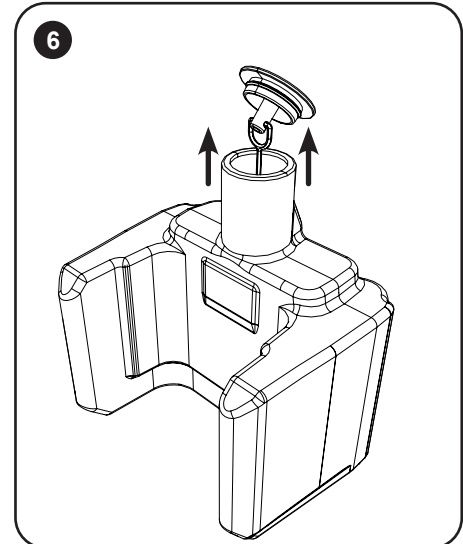
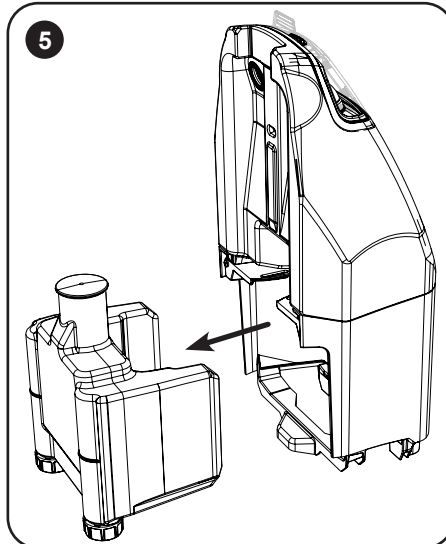
Slide your hand under the tank and curl your fingers up in the space in front of the tank, use your fingers to pop the tank out.



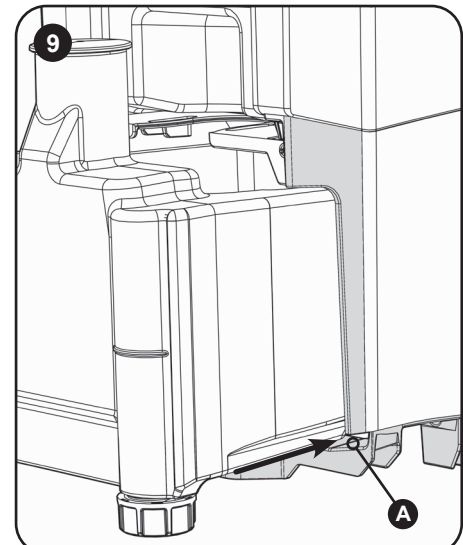
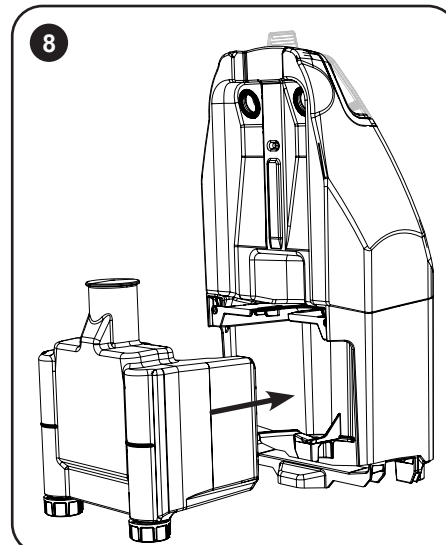
Remove the clean water tank from the main body of the tank holder.



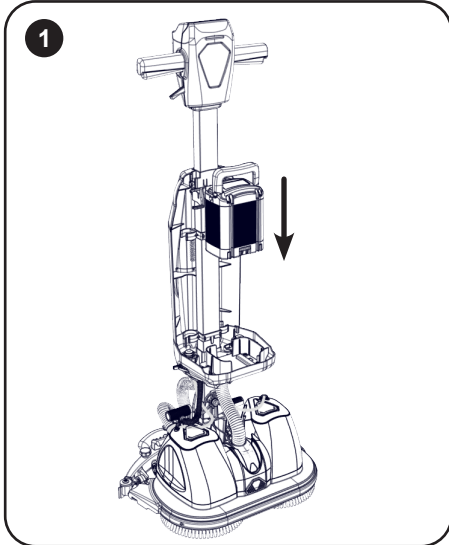
Remove the clean water tank from the main body of the tank holder (4&5). To fill remove the rubber stop from the filling neck. Note: There is a T piece keeping the rubber stop from being completely removed.



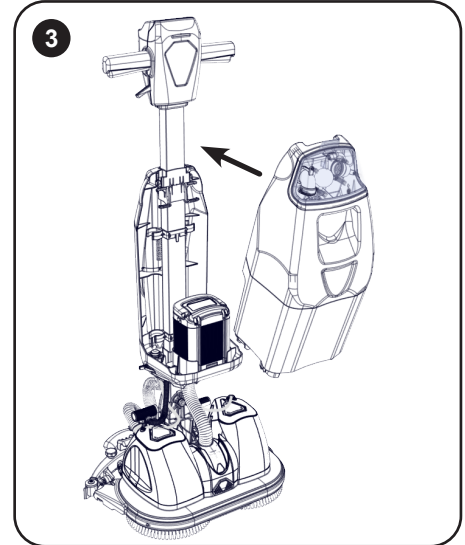
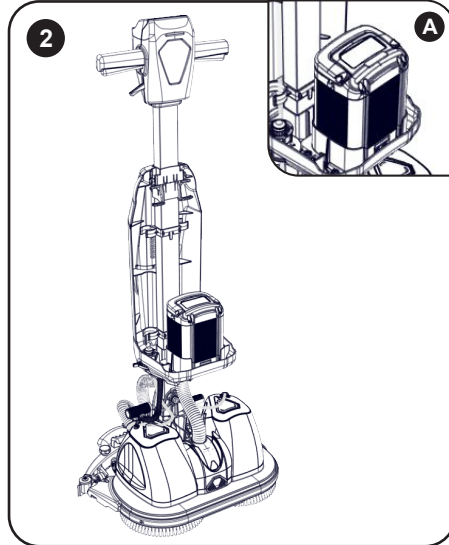
Pour in the chemical (follow chemical manufactures dilution rates). Only fill the tank to the MAX fill line with clean water using a tap, hose or suitable water container. DO NOT OVER FILL. Slide the tank back into the main tank body, make sure the front of the clean water tank is lifted to enter the recess (A). Push the tank all the way in until you hear it click, make sure it is securely fitted before fitting the tank assembly back on the machine.



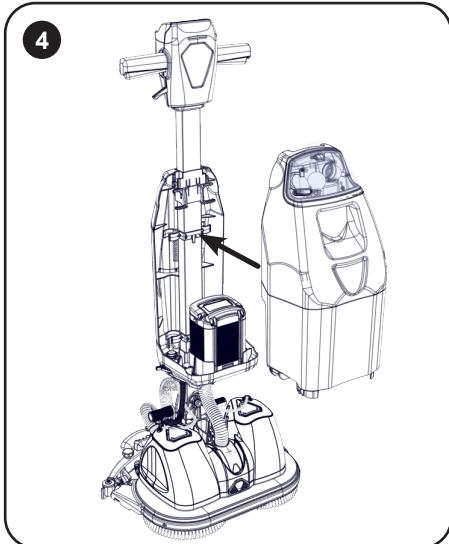
Battery fitting and Water flow setting



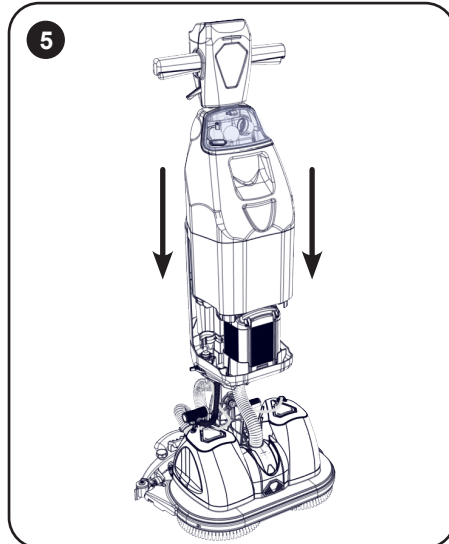
Lift the battery using the battery handle. Place the battery into the battery compartment ensuring it is securely in place and the orientation is correct (battery handle folds down towards the machine handle (A)).



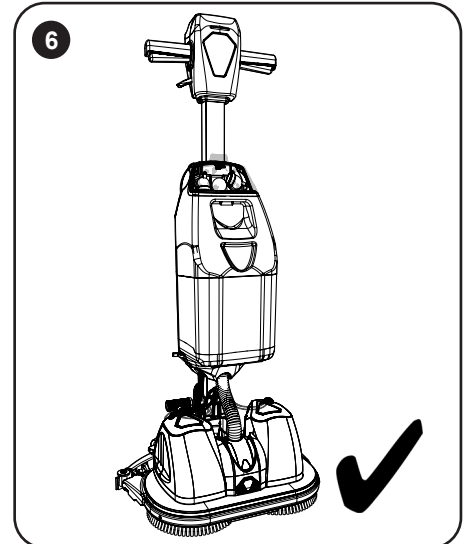
Refit the main tank onto the machine.



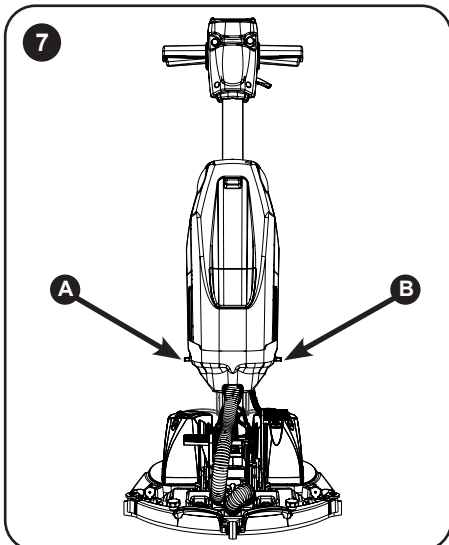
Tilt the bottom of the tank towards the handle above the battery.



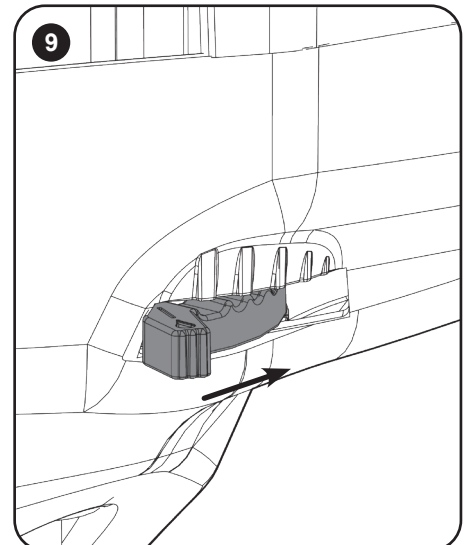
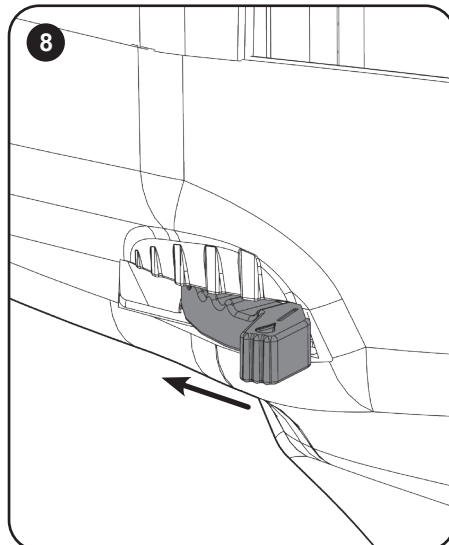
Line the tank up against the machine handle and lower the tank down. Make sure it is securely fitted.



Clean water tank full and fitted to the machine.

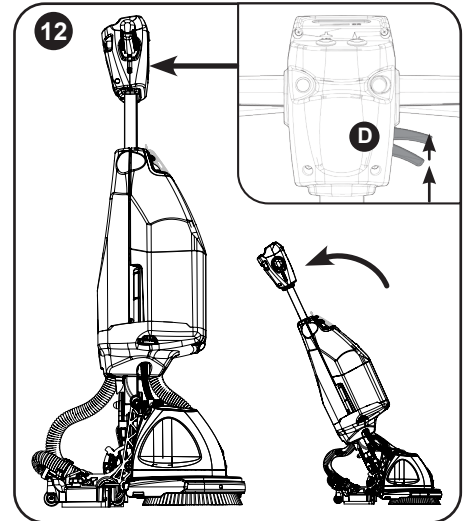
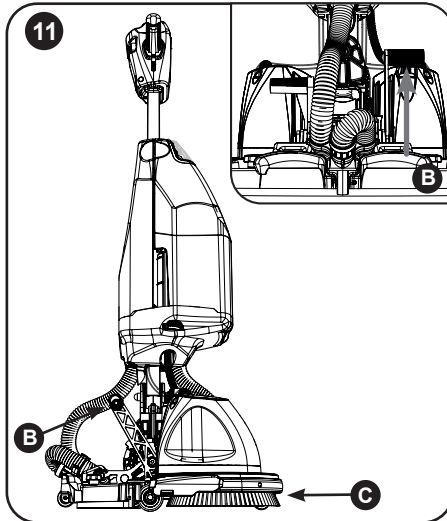
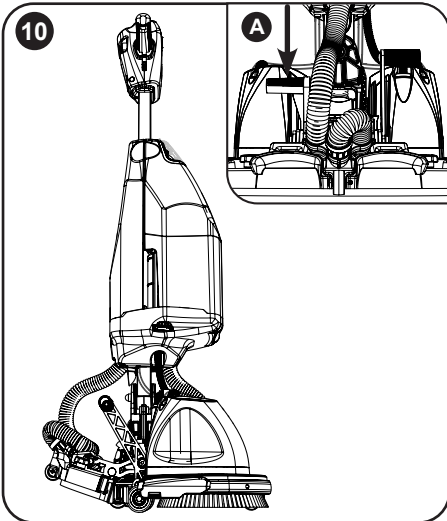


Located on the left and right side of the machine are the individual water taps for each brush.

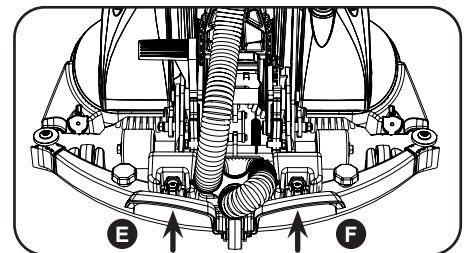


Push the fluid control levers on the Left and Right of the machine to set the desired flow required, this will vary depending on what brush / pad and floor type the machine is being used on. *Note: On first use open the water taps fully and run the machine for a short period to purge the water flow then adjust taps to desired flow. Make sure each lever is set to the same position.*

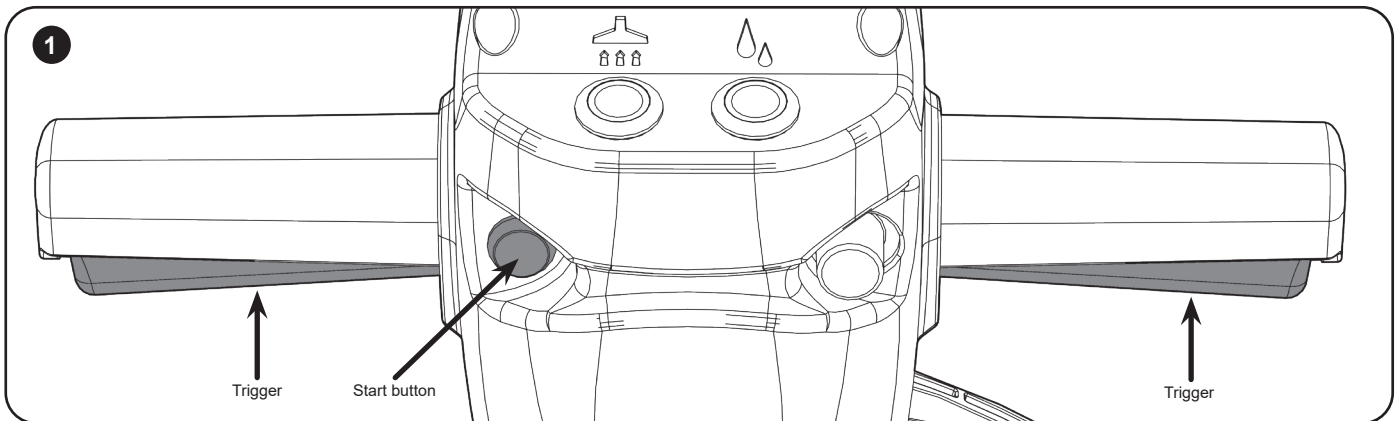
Quick Set-up Guide



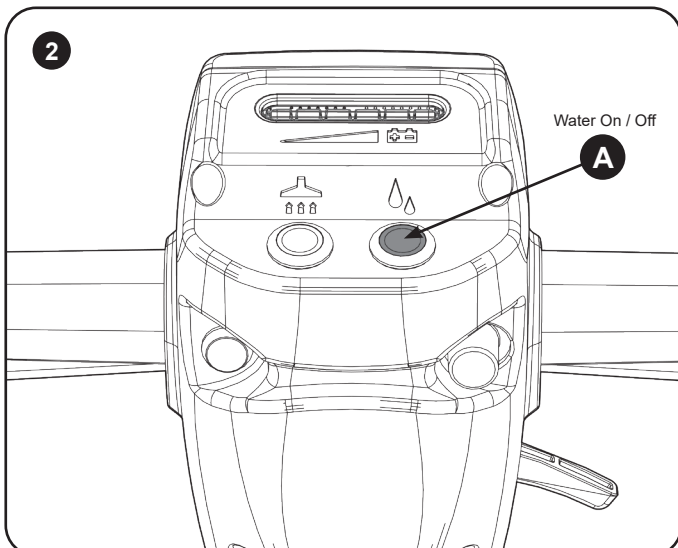
To lower the floor-tool, press down on the left foot pedal lever at the rear of the machine (10-A).
 To lower the machine deck to the ground. Stand behind the machine, grip the handles. With your right foot push the right pedal forward (11-B). (By pushing lever the front support wheel retracts under the deck (11-C)).
 Pull the small lever on the right hand side of the handle upwards (12-D) and then pull the handle backwards.
 To raise the floor-tool (for over-scrubbing without picking up water) use the toecap locations to the rear of the floor-tool (E or F).



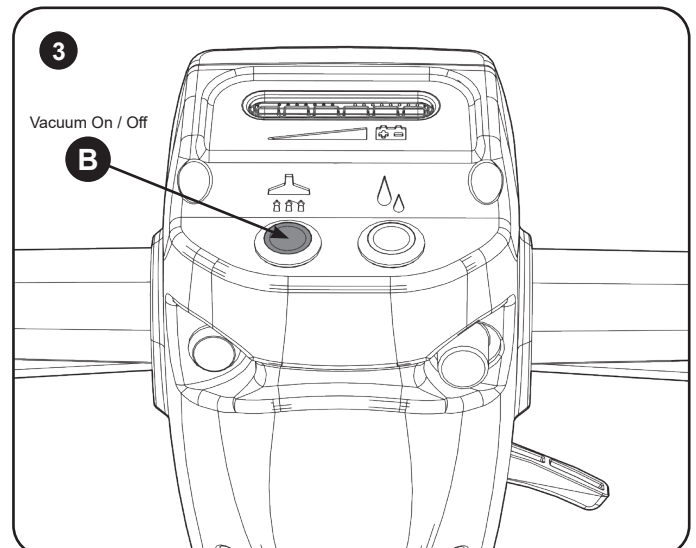
Machine handle operation



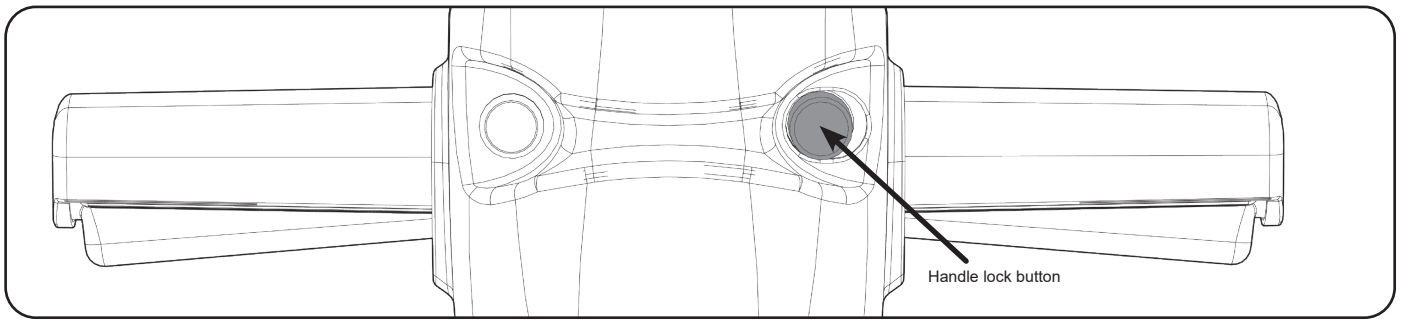
To start the machine pull one or both triggers in and press the start button with the deck down, this will start the brushes spinning and the battery power indicator will illuminate to show the power level.



With either trigger pulled in press the water on button, this lights up blue to indicate it is on.

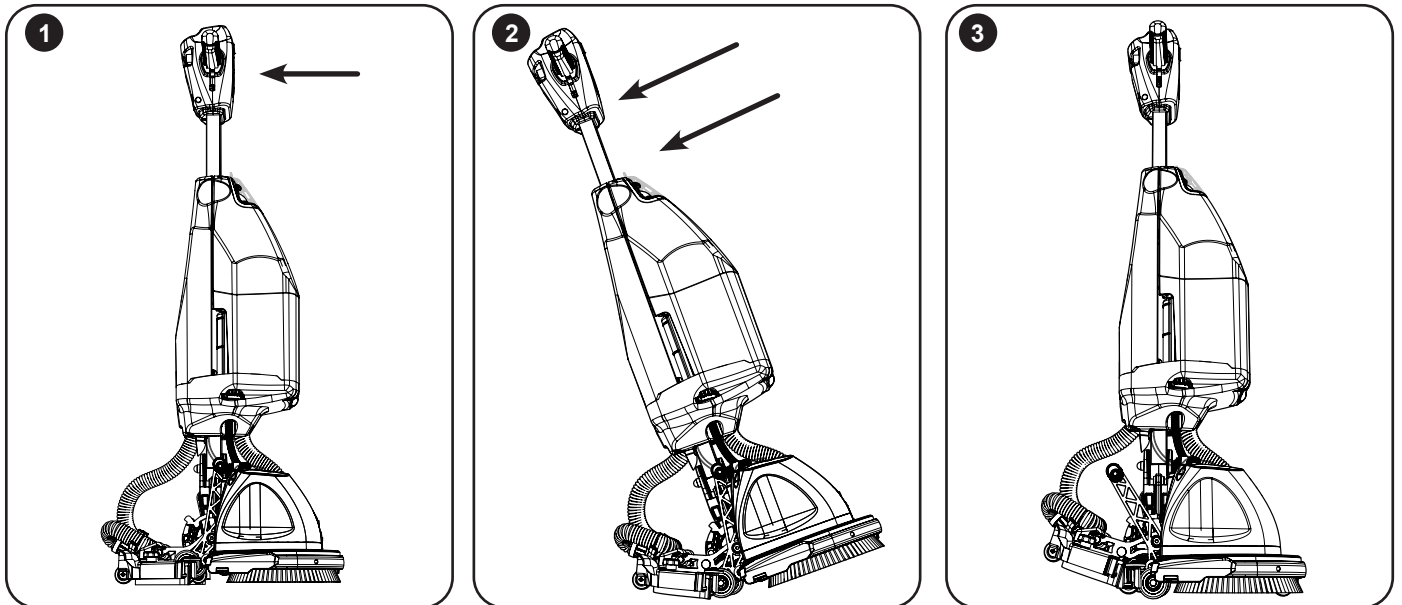


Press the vacuum on button, this lights up blue to indicate it is on and the vacuum starts. You are now ready to start cleaning.



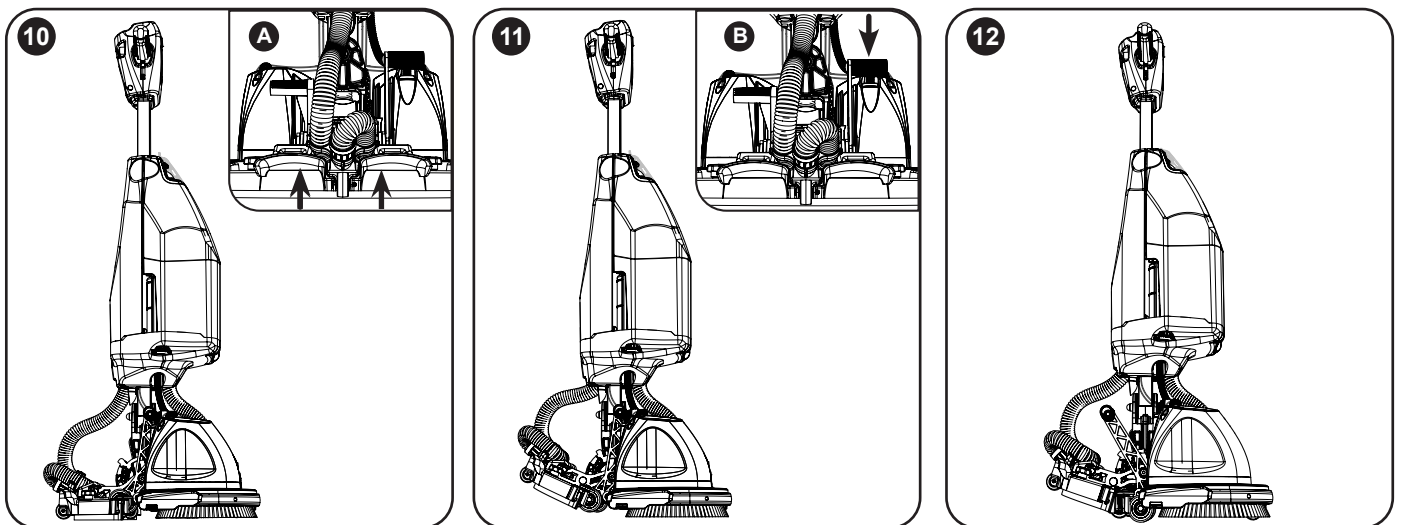
Make sure the handle is in the upright position and locked in place, push the handle lock button and locate handle in correct position.

Storage and Transport mode option 1





To put the machine into storage mode start with the handle locked in the upright position and the floor-tool down (1), pull the handle backwards until the floor-tool moves up and the transport wheels click out into position the front support wheel is deployed (2). Rest the machine back onto the transport wheels (3) (no button or lever action is required). Note: Do not let go of the handle.

Storage and Transport mode option 2

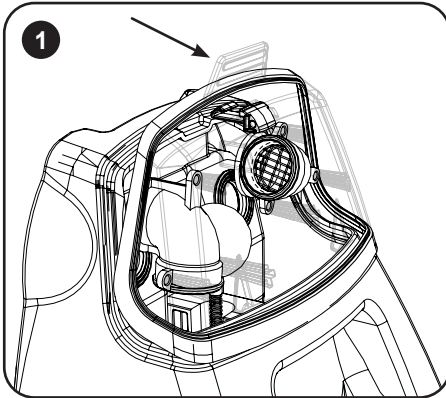


To raise the floor-tool use the toecap locations to the rear of the floor-tool and lift up (A). To raise the machine deck off the ground. Stand behind the machine, grip the handle. With your right foot push the right pedal down (B) while pulling the machine backwards until the storage wheels click into position and the front support wheel extends.

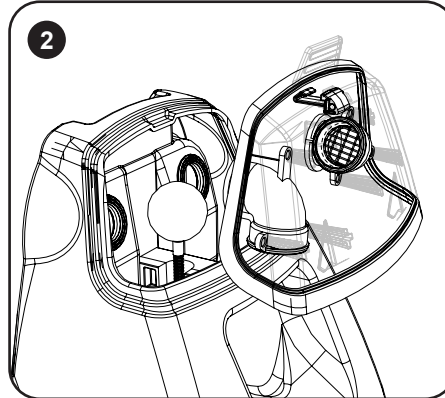

MAKE SURE THE HANDLE IS LOCKED IN THE UPRIGHT POSITION BEFORE LETTING GO OF THE HANDLE.


Regular Maintenance

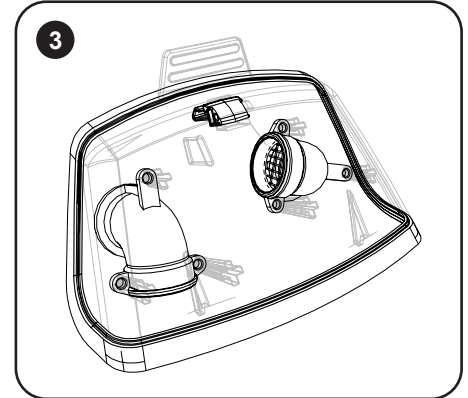
Separator removal and cleaning



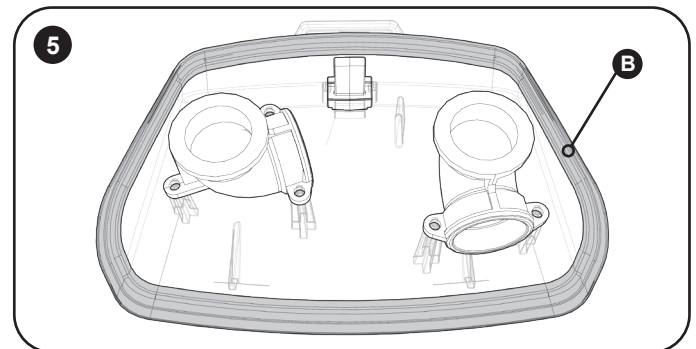
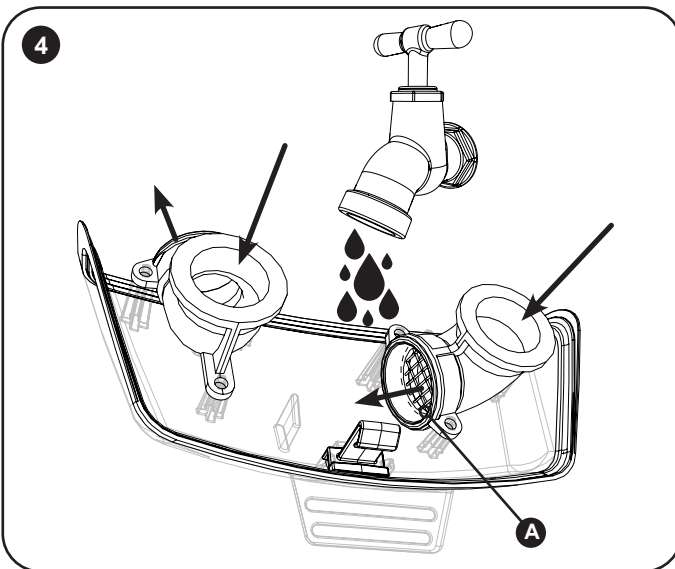
Using thumb and index finger grip the tab of the separator and pull forwards.



Lift the separator away from the tank.

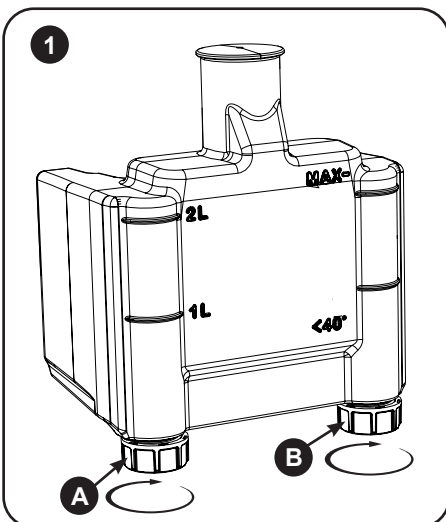


Take the separator to a suitable cleaning station.

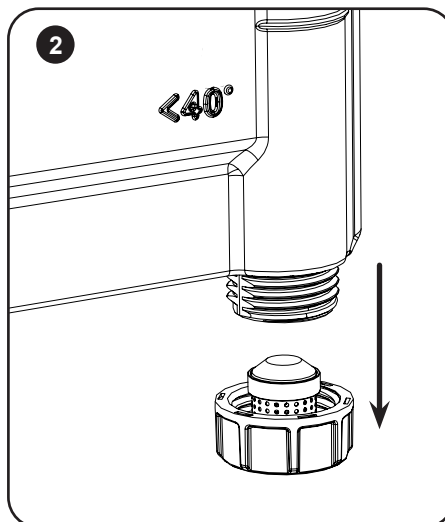


Once the separator has been removed, wash thoroughly under a tap making sure to run water through the tubes and to clean the grid filter (A). Once clean thoroughly check the rubber seal for any damage or cracks (B). If any damage or cracks are found on the rubber seal replace the separator. Failure to replace could cause loss in suction and machine performance.

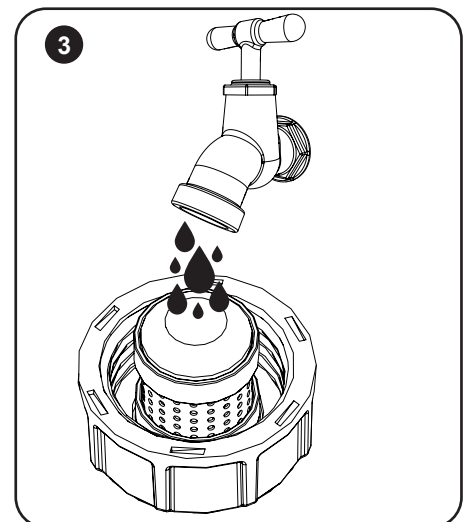
Clean water tank outlets



Make sure the clean water tank is empty. Unscrew the two clean water outlets, A and B.

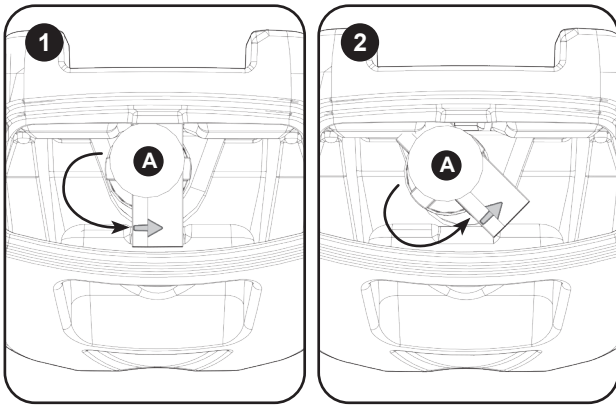


Remove the clean water outlets from the clean water tank.

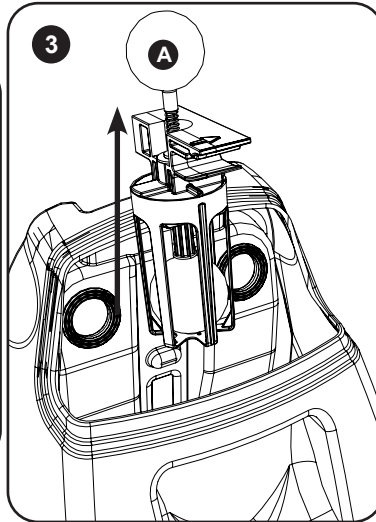


Wash the clean water outlets thoroughly under a tap, make sure the filter is clean with no blockages. Check for any damage (if any damage is found replace the clean water outlets).

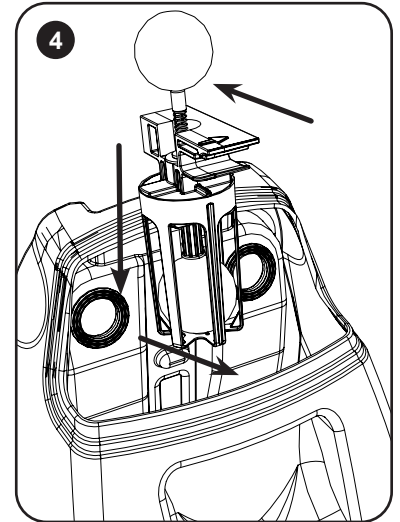
Float valve removal and cleaning



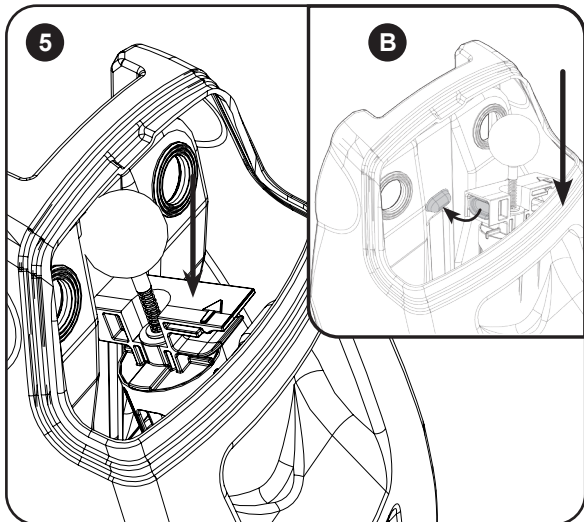
To remove the float valve twist the red retainer clip in the direction shown by the arrow on the retainer clip.



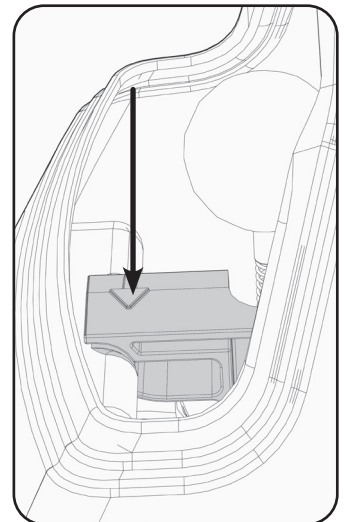
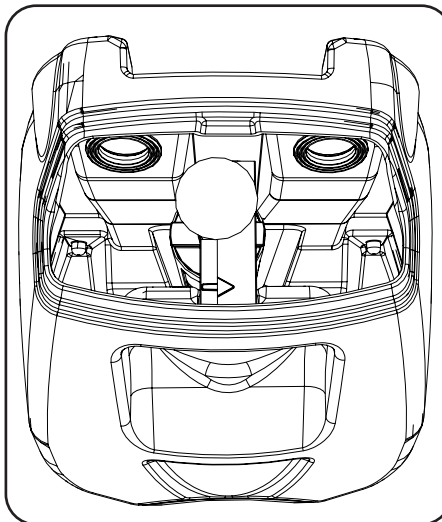
Lift the float valve from the tank, wash and inspect for damage.



Place the float valve back down into the tank.



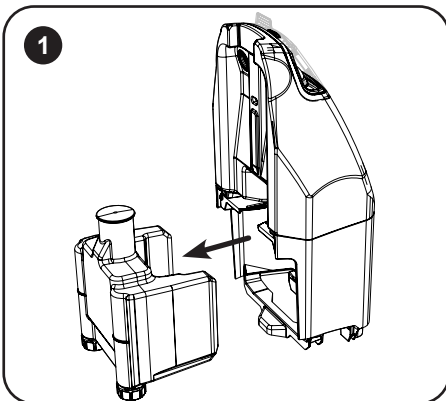
Tilt forwards at a slight angle making sure the protruding nub fits into the recess on the float valve (B). Press down firmly on the arrow and the float valve will click into place.



WARNING!
DO NOT PULL ON THE FLOAT BALL (A)
 PULLING ON THE FLOAT BALL WILL CAUSE IT TO BREAK AND THE VACUUM SHUT OFF WILL FAIL.



Emptying Tanks



When finished using the machine it is good practise to empty and clean the tanks of the machine.

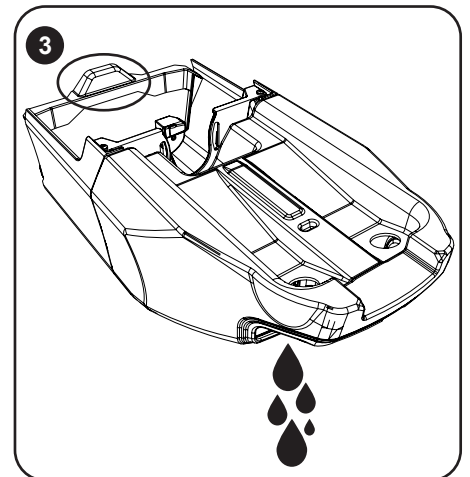
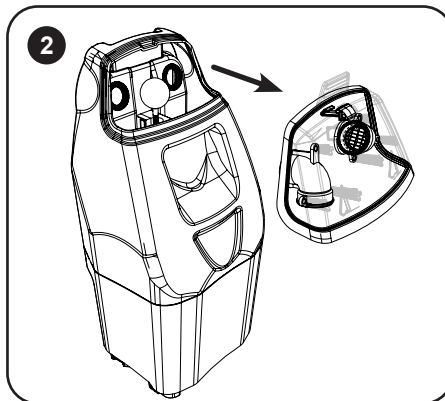
To do this firstly remove the tank assembly from the machine (see set up),

1. Remove the clean water tank from the main tank body and empty.

2. Remove the separator from the tank.

3. Pick up the tank, use the base shown as a handle, tip the contents into a suitable drain, rinse the tanks and repeat the emptying process. Refit the clean water tank and separator and place back onto the machine.

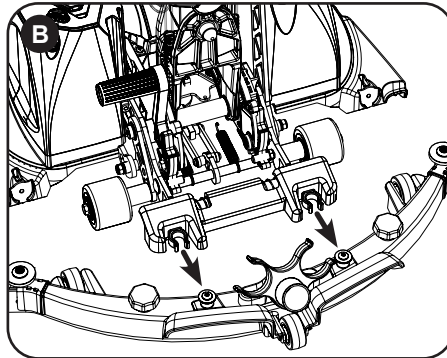
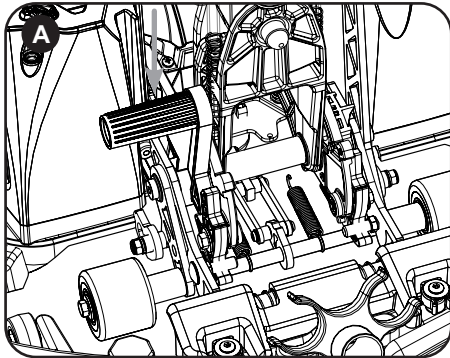
Note: If the machine is to be left for long periods between use, ensure the clean water tank is emptied.



Changing the Floor Tool Blades

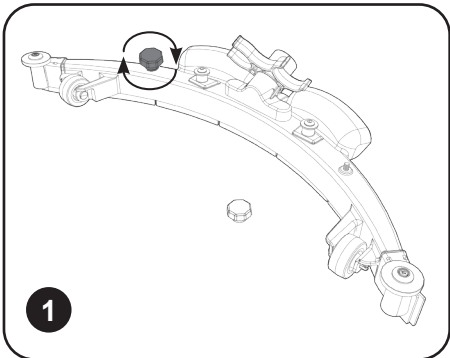


Always make sure that the machine is switched off and the battery is removed prior to any maintenance.

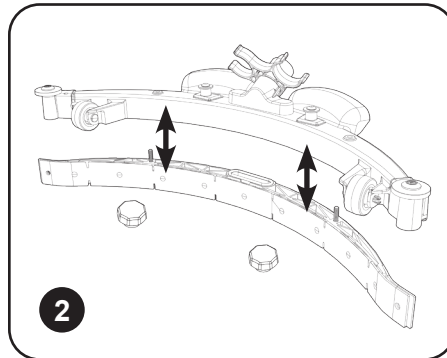


To change the floor-tool, firstly lower the floor-tool using the left side floor-tool lowering foot pedal (A).

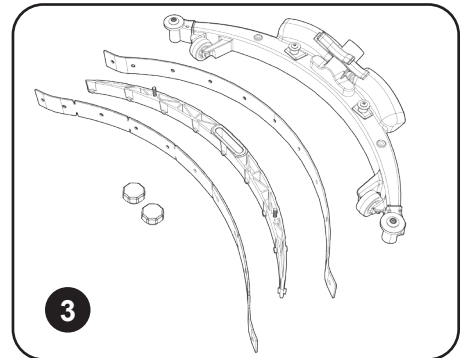
Pull the floor-tool away from the machine (B).



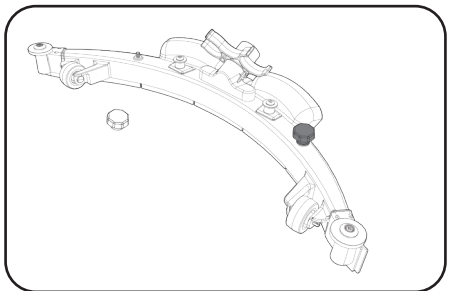
Unscrew the two knobs securing the blade holder (1).



Remove the blade holder (2).



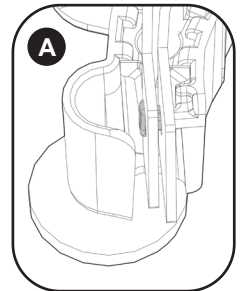
Replace the Squeegee blades using (903531) replacement blade set (Fig.3), fitting the blades on to the moulded location lugs.



Refitting the Floor Tool Blades

Refit the blade holder, retain using the two outer knobs. Make sure the slotted blade goes to the front of the floor-tool.

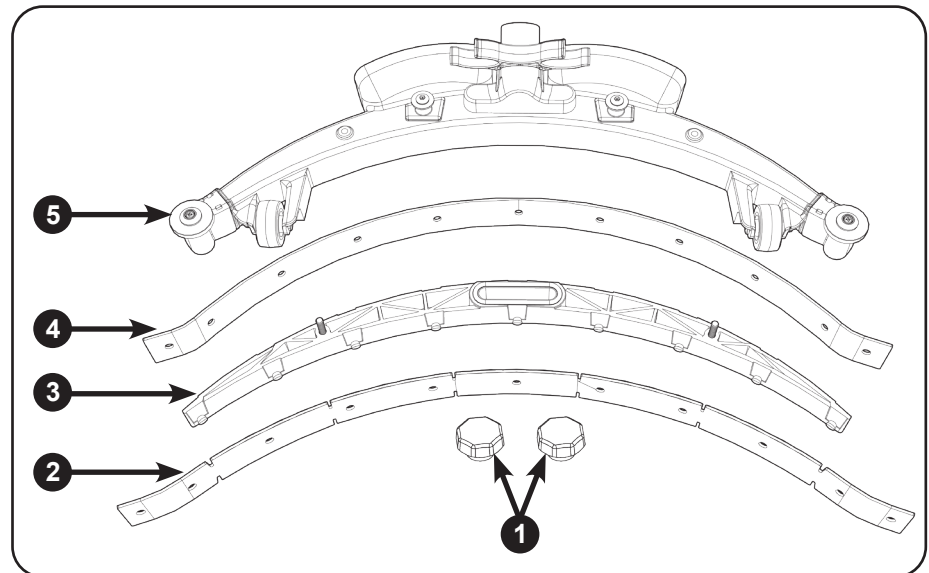
Refit the floor-tool using the two central knobs to the floor-tool. Make sure the end holes on both squeegee blades are positioned correctly on "T" shaped clip mouldings! (A)



Floor Tool Overview

1. Retaining knobs x 2
2. Front blade (Slotted / Reversible)
3. Blade carrier
4. Rear blade
5. Floor tool main body

NOTE: The blades are designed to be reversible and rotated giving 4 usable surfaces (front, back, top and bottom, thus extending their useful working life).



Specifications

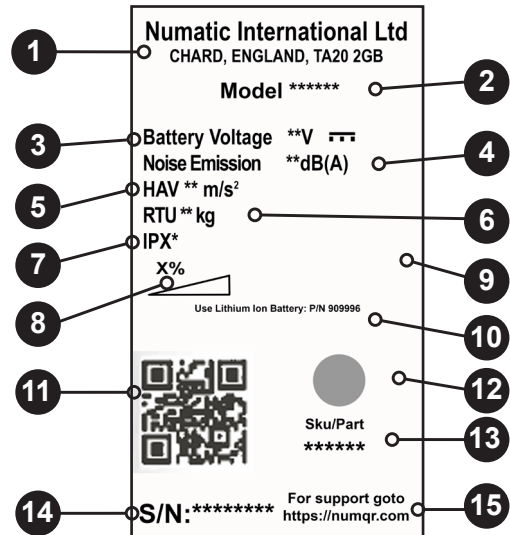
Model - NUC244NX						
Brush / Pad Weight in cleaning mode	Brush / Pad Pressure in cleaning mode	Cleaning Area	Brush Motor Power	Brush Speed	Brush / Pad Width	
12.5 kg	Brush 18.95 g/cm ² Pad 20.10 g/cm ²	1320 m ² /Hour @ 3 km/h	2 x 200W	140 rpm	2 x 220mm (440mm)	
Vac Motor Max Power	Clean Tank Capacity	Waste Tank Capacity	Water Ingress	Gross Weight (With liquid & battery)	Nett Weight (No liquid & No battery)	Rating
100W	2.2L	3L	IPX3	25.5 kg	21.3 kg	500W
*Run Time (Battery life)	*Recharge Time	Dimensions		Hand Arm Vibration	Sound Pressure	
*60-80 Min	*1 Hour (80%) *2 Hours (100%)	Width = 520 mm Length = 450 mm Height = 1200 mm		≤ 2.5 m/s ²	LpA ≤ 70 dB(A)	
*Run and Recharge times may vary dependent on ambient temperature.						

Troubleshooting

PROBLEM	CAUSE	SOLUTION
Machine will not operate	Battery not connected Low battery charge	Connect battery (page 6) Charge battery (page 12)
Vacuum will not operate	Vacuum not turned on	Turn on vacuum (page 7)
Poor water pick-up	Waste-water tank full Clogged / blocked squeegee hose Loose hose connections Separator filter clogged / blocked Poor separator seal Damaged separator seal Damaged / split vacuum hose Damaged floor-tool blades Low battery charge	Empty waste-water tank (page 10) Remove and clean (page 4) Push tight connections (page 4) Clean (page 9) Clean and refit (page 9) Renew (Spare parts page 16) Renew (Spare parts page 16) Renew (Spare parts page 16) Recharge battery - see battery charger manual
No brush / scrub function	No brushes fitted Brush overloaded	Check and fit (page 4) Reset the machine and decrease the brush load
Little or no water flow	Clean-water tank empty Incorrect water flow setting Blocked clean water tank outlets	Fill clean-water tank (page 5) Adjust fluid control levers (page 6) Remove and clean (page 9)

Failure to rectify the problem or in the event of a breakdown contact your Numatic dealer or Numatic Technical helpline +44 (0)1460 269268

Rating Label	
1	Company Name & Address
2	Machine Description
3	Battery Voltage
4	Noise Emission
5	Hand Arm Vibration
6	Weight (ready to use)
7	Ingress Protection Rating
8	Gradient symbol
9	EU Importers info
10	Battery part number
11	Machine QR code
12	Approval Mark
13	Part Number
14	Machine yr/wk Serial number
15	Numatic Support



PPE (Personal protective equipment) that may be required for certain operations.

Ear Protection	Safety Footwear	Head Protection	Safety Gloves	
Dust / Allergens Protection	Eye Protection	Protective Clothing	Hi-Vis Jacket	Caution Wet Floor Sign

NOTE: A risk assessment should be conducted to determine which PPE should be worn.

Safety Critical Component:

Charging Leads: HO5VV-F x 0.75mm² x 3 CORE
 Battery Charger: 100 - 240 Volt

Edgar Edmondson Pty Ltd	Delivery & Shipping Address	Office Number: +61 (0)2 9557 4411	
Head Office: PO Box 198 Marrickville NSW 1475 AUSTRALIA	18 Garden St Marrickville NSW 2204 AUSTRALIA	Fax Number: +61 (0)2 9519 9223	
		Email: orders@edmondson.net.au	
		ABN: 27 000 450 144	

Proudly cleaning Australia since 1941



**ORIGINAL INSTRUCTIONS
READ MANUAL BEFORE USE**

Information for Scrubber Dryer

COMPONENT	INTERVAL	INSPECT FOR
Mains Lead	DAILY	Scuffing, cracks, splits, conductors showing
Brushes	DAILY	Bristle damage, wear, drive collar wear
Squeegee Blade	BEFORE EACH USE	Wear, cracks, splits
Filters	BEFORE EACH USE	Clogging and debris retention
Tanks	AFTER EACH USE	Rinse dirty water tank after use



As with all electrical equipment care and attention must be exercised at all times during its use, in addition to ensuring that routine and preventative maintenance is carried out periodically in order to ensure its safe operation. Operators shall be adequately instructed as to the correct use of the machine.

Failure to carry out maintenance as necessary, including the replacement of parts to the correct standard could render this equipment unsafe and the manufacturer can accept no responsibility or liability in this respect. When ordering spare parts always quote the Model Number / Serial Number specified on the Rating Plate. Warning do not use on slopes exceeding 2%.

This appliance is not intended for use by persons (including children) with reduced physical, sensory or mental capabilities, or lack of experience and knowledge. Children should be supervised to ensure that they do not play with the appliance.

Only use brushes provided with the appliance or those specified in the instruction manual. The use of other brushes may impair safety.

A full range of brushes and accessories are available for this product.

Only use brushes or pads which are suitable for the correct operation of the machine for the specific task being performed.

It is essential that this equipment is correctly assembled and operated in accordance with current safety regulations.

When using the equipment always ensure that all necessary precautions are taken to guarantee the safety of the operator and any other persons who may be affected.

Wear non slip footwear when scrubbing. Use a respiratory mask in dusty environments.

When cleaning, servicing or maintaining the machine, replacing parts or converting to another function the battery should be removed.

Machines left unattended shall be secured against unintentional movement.

When detergents or other liquids are used, read the manufacturer's instructions.



This machine is not suitable for picking-up hazardous dust.
The machine is not to be stored outdoors in wet conditions.
This machine is for indoor use only.

NOTES: This machine is intended for commercial use, for example in hotels, schools, hospitals, factories, shops and offices for other than normal housekeeping purposes. This product meets the requirements of IEC 60335-2-72



DO

- Ensure only competent persons unpack / assemble the machine.
- Keep your machine clean.
- Keep your brushes in good condition.
- Replace any worn or damaged parts immediately.
- Ensure that the work area is clear of obstructions and / or people.
- Ensure that the working area is well illuminated.
- Pre-sweep the area to be cleaned.

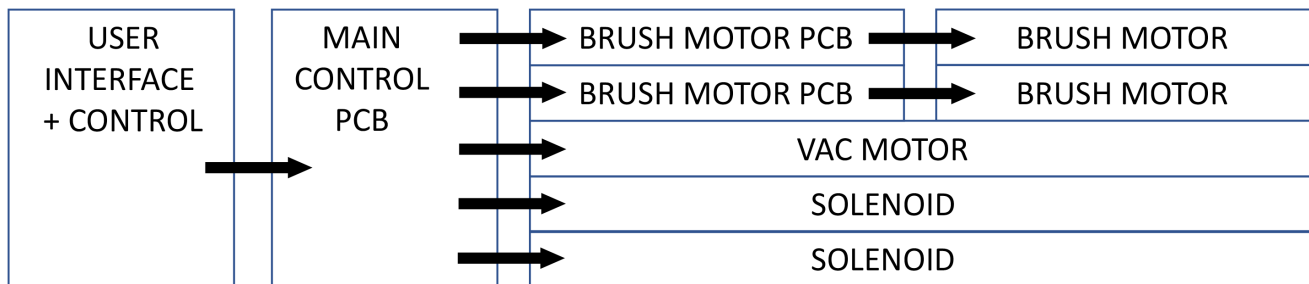


DON'T

- Use steam cleaners or pressure washers to clean the machine or use in the rain.
- Allow any inexperienced repairs. Call the experts.
- Allow the machine to be used by inexperienced or unauthorised operators or without appropriate training.
- Use the machine without the solution tanks properly positioned on the machine, as shown in the instructions.
- Expect the machine to provide trouble-free, reliable operation unless maintained correctly.
- Run the machine over power cable during operation.
- Lift or pull the machine by any of the operating triggers, use the main handle.

Part No.	SPARES & ACCESSORIES	Part No.	SPARES & ACCESSORIES
913686	BATTERY	913835	BALL SHUT OFF ASSEMBLY
913602	LITHIUM BATTERY CHARGER	913837	SEPARATOR MOULDING & SEAL OVER MOULD
912360	CHARGER CABLE (AUSTRALIAN)	911931	NYLO SCRUB BRUSH SET PACK OF 2
913810	SQUEEGEE BLADE SET	911843	POLY SCRUB BRUSH PACK OF 2
		TK220KIT	GLOMESH PAD 220MM STARTER KIT PACK OF 6
911844	DRIVE BOARD PACK OF 2	TK220WHT	GLOMESH PAD 220MM WHITE PACK OF 6
913825	CLEAN WATER TANK	TK220RED	GLOMESH PAD 220MM RED PACK OF 6
913827	WASTE WATER TANK	TK220BLU	GLOMESH PAD 220MM BLUE PACK OF 6

Schematic Diagram





Warranty

Numatic International Limited warrant to the original purchaser that its products are free of defects in both material and workmanship for the period shown below:-

- Homecare and Procure Vacuum cleaners..... 2 Years**
- Rotary Floor Machines..... 1 Year**
- Twintec Auto Scrubber Dryer..... 1 Year**
- Vario Ride-On Scrubber Dryer..... 1 Year / 1500 hours**
- Mopping, Compacts, Versaclean and Versacare Products..... 1 Year**
- Individual Accessories and Spare Parts..... 6 Months**

Note: This warranty expressly excludes consumable parts such as carbon brushes, floor brushes, mops, batteries etc, that are considered replaceable from time to time during the normal working life of the machine.

Our goods come with guarantees that cannot be excluded under the Australian Consumer Law. You are entitled to a replacement or refund for a major failure and for compensation for any other reasonably foreseeable loss or damage. You are also entitled to have the goods repaired or replaced if the goods fail to be of acceptable quality and the failure does not amount to a major failure.

The benefits under (Our Warranty) are in addition to other rights and remedies under a law in relation to the (goods/services)

- A. The warranty period commences from the date the goods are purchased. We advise all purchasers to retain their invoice as proof of purchase.
- B. All warranty claims must be processed through either the Dealer from whom the equipment was originally purchased or another authorised Edgar Edmondson Pty Ltd Australia dealer. The Dealer will co-operate with the purchaser throughout the warranty claims procedure and will arrange any necessary repairs using genuine Numatic parts.
- C. If the original Dealer is no longer able to fulfil his obligations please contact Edgar Edmondson Pty Ltd Australia with full details of the claim and proof of purchase so that this may be processed without delay.
- D. Any warranty claim can only relate to the specific part that is proven to be at fault and for which a replacement will be supplied but cannot be extended to constitute a claim against the complete machine.
- E. Edgar Edmondson Pty Ltd Australia will supply the Dealer with any warranty parts required, subject to the claim being validated.
- F. Claims will not be accepted if they are the result of fair wear and tear, misuse or abuse of any kind.
- G. No replacement will be given unless the appropriate evidence of the validity of the claim has been provided to the satisfaction of Edgar Edmondson Pty Ltd Australia.
- H. Edgar Edmondson Pty Ltd Australia reserve the right to charge for any work carried out as a result of an invalid claim.
- I. No variation to this warranty may be made or implied by any member of Edgar Edmondson Pty Ltd Australia or its Dealers unless such variation is in writing and authorised by the Company.

Australian Importer.

Edgar Edmondson Pty Ltd

Head Office	Delivery and Shipping Address	Office Number: 1800 BUY MOP
PO Box 198	18 Garden St	Fax Number: +61 (0)2 9519 9223
Marrickville	Marrickville	E-Mail: orders@edmondson.net.au
NSW 1475	NSW 2204	
AUSTRALIA	AUSTRALIA	ABN: 27 000 450 144

Edco

244030 10/21 (A03)

**This Machine Has Been Packed
With The Following**

- Scrub Brush / Pad
- Squeegee Assembly
- Charger / Lead & Battery Pack

Signed

Distributed by:



Edgar Edmondson Pty Ltd

Head Office	Delivery and Shipping Address
PO Box 198	18 Garden St
Marrickville	Marrickville
NSW 1475	NSW 2204
AUSTRALIA	AUSTRALIA

Office Number: 1800 BUY MOP
Fax Number: +61 (0)2 9519 9223
E-Mail: orders@edmondson.net.au

ABN: 27 000 450 144

Edco



This Product has been comprehensively inspected and checked during every stage of its manufacture, including an in-depth electrical safety and functionality test.

Specification subject to change without prior notice
www.numatic.com © Numatic International Limited

913728 06/21 (A02)