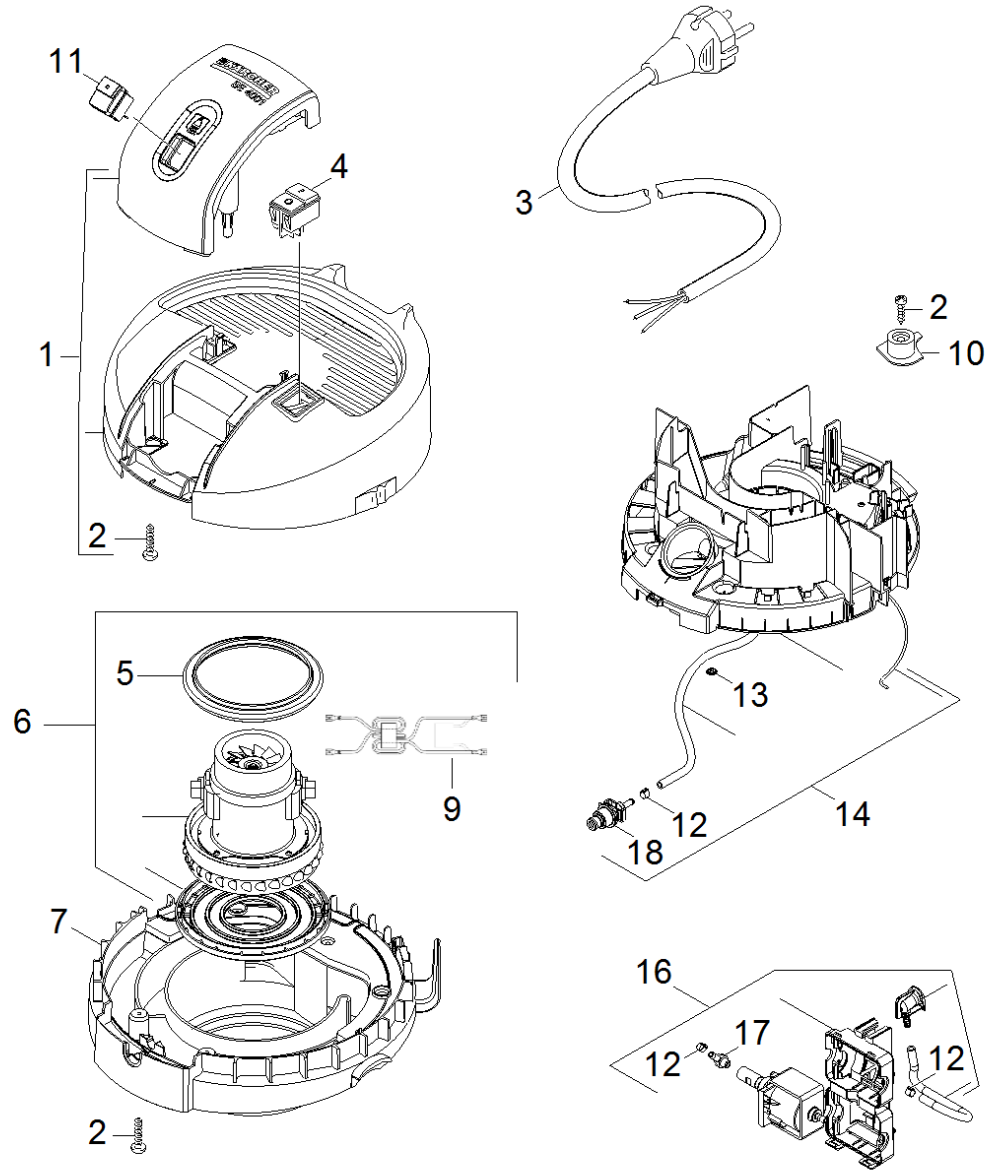


20 Vacuum motor

Home and Garden \ Spray extraction \ SE 4001 *EU \ Spare parts list SE 4001 \ Vacuum motor



20 Vacuum motor

Home and Garden \ Spray extraction \ SE 4001 *EU \ Spare parts list SE 4001 \ Vacuum motor

KÄRCHER

POS	Article no.	Description	Quantity	Unit	Remark
9	2.884-196.0	Cable with capacitor ferrite ring for re	1	PC	
6	4.624-241.0	Vacuum motor complete for replacement 1200W	1	PC	
13	6.343-169.0	Quick-fastener	1	PC	
12	6.389-992.0	Hose clip	3	PC	
4	6.630-087.0	Switch	1	PC	
11	6.959-398.0	Switch with lamp	1	PC	
17	6.959-448.0	Elbow connector R 1/8"	1	PC	
2	7.303-096.0	Screw 4x22-ST-10.9-R2R (IN6RD)	8	PC	
1	9.002-006.0	Cover complete SE 4 (spare parts)	1	PC	
14	9.012-267.0	Motor housing complete SE	1	PC	
16	9.012-269.0	Pump complete SE	1	PC	
10	9.036-997.0	Strain relief	1	PC	
18	9.037-317.0	Quick-fitting pipe union SE	1	PC	
7	9.037-326.0	Flange SE	1	PC	
5	9.079-024.0	Seal motor above	1	PC	
3	9.084-209.0	Cable H05VV-F2X0,75 8 MT *EU	1	PC	*EU
3	9.084-261.0	Cord SE4001 CCC	1	PC	*CN
3	9.084-303.0	Cord CH 2x0,75 8MT	1	PC	*CH
3	9.084-336.0	Cable H05VV-F 2x1 *GB 8m	1	PC	*GB/*AE