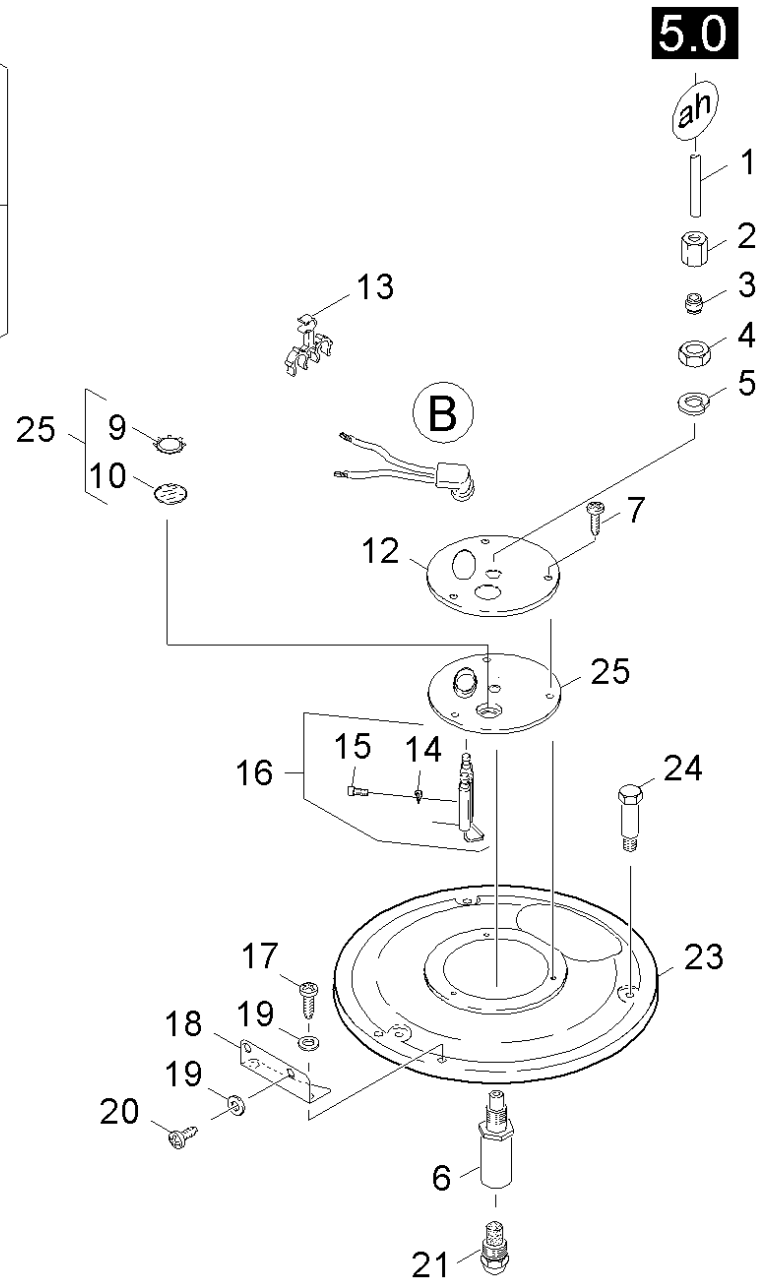
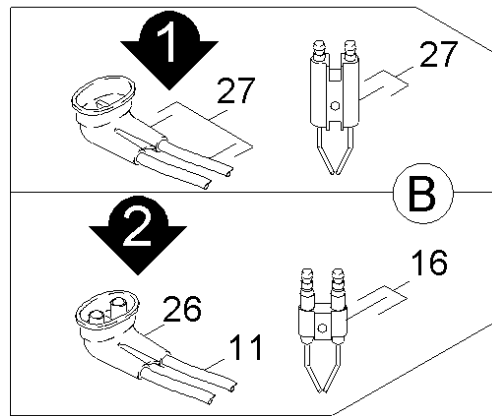


# 72 Burner cover

Professional \ High pressure cleaner hotwater \ Electric motor \ H 2600 \*EU \ Spare parts list H\_2600 \ Flow heater \ Burner cover



## 72 Burner cover

Professional \ High pressure cleaner hotwater \ Electric motor \ H 2600 \*EU \ Spare parts list H\_2600 \ Flow heater \ Burner cover

**KÄRCHER**

POS	Article no.	Description	Quantity	Unit
18	5.762-234.0	Bracket electric control box	1.000	ST
21	6.415-775.0	Burner nozzle	1.000	ST
1	5.423-253.0	Conduit	1.000	ST
27	2.638-976.0	Conversion kit ignition cable	1.000	ST
16	2.638-974.0	Conversion kit ignition electrode	1.000	ST
25	4.654-218.0	Cover pressure boiler	1.000	ST
23	4.654-196.0	Cover pressure boiler	1.000	ST
12	5.654-059.0	Cover pressure boiler	1.000	ST
3	6.389-263.0	Cutting ring d.4	1.000	ST
10	6.278-018.0	Glass pane	1.000	ST
4	7.311-101.0	Hexagon nut M10x1 -04-A2E ISO 8675	1.000	ST
13	6.647-527.0	Holder	1.000	ST
11	4.821-071.0	IGNITION LEAD (HDS 557CI)	1.000	ST
6	5.667-055.0	Nozzle holder	1.000	ST
15	7.306-182.0	Pan head screw M5x16 -A2-70 ISO 14583	1.000	ST
26	5.394-470.0	Protecting cap	1.000	ST
17	7.306-090.0	Screw M6x16 -8.8-R3R (In6Rd)	2.000	ST
20	7.303-047.0	Screw M6x16 -St-R3R (In6Rd)	2.000	ST
24	6.303-258.0	Self-tapping screw	3.000	ST
9	6.343-165.0	Serrated ring	1.000	ST
14	7.312-304.0	Spring washer B 5-FST-A2E DIN 137	1.000	ST
5	7.312-302.0	Spring washer B10-FST-A2E DIN 137	1.000	ST
2	6.389-262.0	Union nut A 4-LL	1.000	ST
19	7.312-291.0	Washer 6-200HV-A2R ISO7093-1	4.000	ST