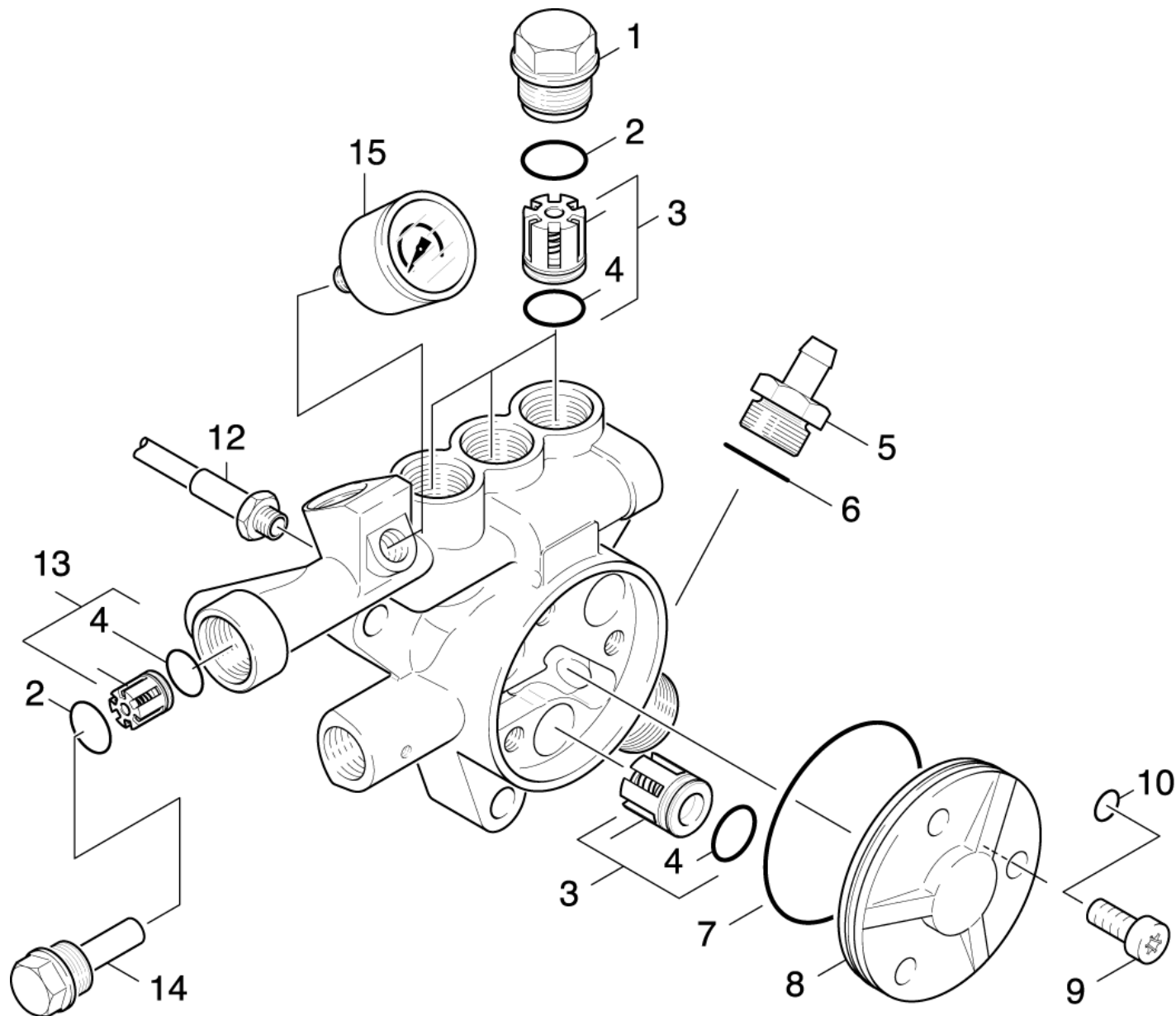


26 Valves

Overview technical documents/Professional/High pressure cleaner hotwater/Electric motor/HDS 797 CI * VEX (1.873-507.0)/Spare parts list HDS 797 CI *VEX/20 Pump set/26 Valves



26 Valves

Overview technical documents/Professional/High pressure cleaner hotwater/Electric motor/HDS 797 CI * VEX (1.873-507.0)/Spare parts list HDS 797 CI *VEX/20 Pump set/26 Valves

Rez.daļas/nodil.pakļ.daļas	Poz.	Materiāla Nr.	Nosaukums	Daudzums	Pārdoš. vienība	no sēr. Nr..	līdz sēr. Nr.
X-X	9	7.306-041.0	cylinder head screw	3.000	ST	0000000000	0000000000
X-X	15	6.421-214.0	Manometrs 0-300 bāri	1.000	ST	0000000000	0000000000
X-X	12	6.389-811.0	Augstspiediena šļūtene	1.000	ST	0000000000	0000000000
	6	6.362-427.0	Gredzenblīve 15,0x2,0	1.000	ST	0000000000	0000000000
X-X	10	6.362-384.0	Gredzenblīve 9x1,5 - NBR 70	3.000	ST	0000000000	0000000000
X-X	4	6.362-381.0	Gredzenblīve 13x2 - NBR 70	6.000	ST	0000000000	0000000000
X-X	7	6.362-204.0	Gredzenblīve 60,0 X 2,0-NBR 70	1.000	ST	0000000000	0000000000
X-X	2	6.362-160.0	O-ring seal	3.000	ST	0000000000	0000000000
	14	5.583-154.0	Valve screw	1.000	ST	0000000000	0000000000
	11	5.583-128.0	Valve screw	1.000	ST	0000000000	0000000000
X-X	1	5.583-115.0	Vārsta skrūve	3.000	ST	0000000000	0000000000
	8	5.063-354.0	Cover	1.000	ST	0000000000	0000000000
X-X	13	4.580-262.0	Valve complete	1.000	ST	0000000000	0000000000
X-X	5	4.580-114.0	Valve	1.000	ST	0000000000	0000000000
X-X	3	2.884-512.0	Valve (3 Stueck)	1.000	ST	0000000000	0000000000
	100	2.883-855.0	PUMP SET	1.000	ST	0000000000	0000000000